



# D5

## Track-Type Tractor

# Technical Specifications

### Engine

Engine Model	Cat® C7.1	
Emissions	U.S. EPA Tier 4 Final/ EU Stage V/ Japan 2014 (Tier 4 Final)/ Korea Tier 4 Final	
Build Number	17A	
Power Train	Fully automatic 3-speed	
Net Power @ 1,770 rpm		
ISO 9249/SAE J1349	127 kW	170 hp
ISO 9249/SAE J1349 (DIN)	172 hp	
Engine Power (Maximum) @ 1,600 rpm		
SAE J1995	151 kW	202 hp
ISO 14396	148 kW	198 hp
ISO 14396 (DIN)	201 hp	
Bore	105 mm	4.1 in
Stroke	135 mm	5.3 in
Displacement	7.1 L	433 in <sup>3</sup>

- Net power advertised is the power available at the engine flywheel when the engine is equipped with a fan, air cleaner, clean emissions module and alternator.
- No derating required up to 3000 m (9,840 ft) altitude, beyond 3000 m (9,840 ft) automatic derating occurs.
- All non-road Tier 4 Interim and Final, Stage IIIB, IV and V, Japan 2014 (Tier 4 Final) and Korea Tier 4 Final diesel engines are required to use only ultra-low sulfur diesel (ULSD) fuels containing 15 ppm (mg/kg) sulfur or less. Biodiesel blends up to B20 (20% blend by volume) are acceptable when blended with 15 ppm (mg/kg) sulfur or less ULSD. B20 should meet ASTM D7467 specification (biodiesel blend stock should meet Cat biodiesel spec, ASTM D6751 or EN 14214). Cat DEO-ULS™ or oils that meet the Cat ECF-3, API CJ-4, and ACEA E9 specification are required. Consult your OMM for further machine specific fuel recommendations.
- Diesel Exhaust Fluid (DEF) used in Cat Selective Catalytic Reduction (SCR) systems must meet the requirements outlined in the International Organization for Standardization (ISO) standard 22241.

### Air Conditioning System

The air conditioning system on this machine contains the fluorinated greenhouse gas refrigerant R134a (Global Warming Potential = 1430). The system contains 1.36 kg of refrigerant which has a CO<sub>2</sub> equivalent of 1.946 metric tonnes.

### Fluid/Refill Capacities

Fuel Tank	315 L	83.2 gal
DEF Tank	16 L	4.2 gal
Cooling System	41 L	10.8 gal
Engine Crankcase	18 L	4.8 gal
Power Train	160 L	42.3 gal
Roller Frames Standard/LGP (each)	18/27 L	4.8/7.1 gal
Final Drives (each)	8 L	2.1 gal
Hydraulic System	80 L	21.1 gal

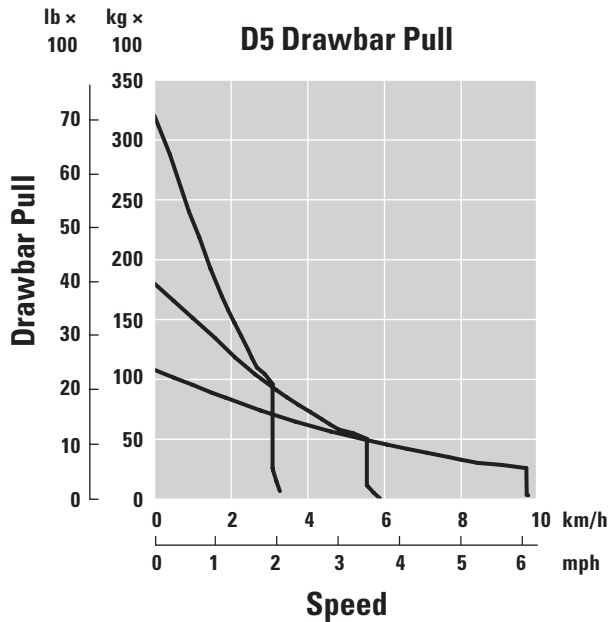
# D5 Track-Type Tractor Specifications

## Transmission

0.5 Forward	2.5 km/h (2.4 km/h)	1.6 mph (1.5 mph)
1.0 Forward	3.3 km/h (3.0 km/h)	2.1 mph (1.9 mph)
1.5 Forward	4.4 km/h	2.7 mph
2.0 Forward	5.8 km/h	3.6 mph
2.5 Forward	7.5 km/h	4.7 mph
3.0 Forward	9.8 km/h	6.1 mph
0.5 Reverse	3.1 km/h (2.9 km/h)	1.9 mph (1.8 mph)
1.0 Reverse	4.1 km/h (3.5 km/h)	2.5 mph (2.2 mph)
1.5 Reverse	5.4 km/h	3.4 mph
2.0 Reverse	7.1 km/h	4.4 mph
2.5 Reverse	9.5 km/h	5.9 mph
3.0 Reverse	12.2 km/h	7.6 mph
Maximum Drawbar Pull		
1.0 Forward	320 kN	71,939 lbf
2.0 Forward	198 kN	44,512 lbf
3.0 Forward	113 kN	25,403 lbf

NOTE: Data between brackets are values for EU.

## Drawbar Pull



## Hydraulic Controls – Pressures

Maximum Implement Operating Pressure	25 000 kPa	3,626 psi
Maximum Steering Operating Pressure	45 000 kPa	6,527 psi

## Hydraulic Controls – Pump

Pump Output		
Implement	127 L/min	33.5 gal/min
Steering	165 L/min	43.5 gal/min
Fan	49 L/min	12.9 gal/min
Lift Cylinder Flow	127 L/min	33.5 gal/min
Tilt Cylinder Flow	127 L/min	33.5 gal/min
Ripper Cylinder Flow	127 L/min	33.5 gal/min
Angle Cylinder Flow – VPAT	127 L/min	33.5 gal/min

# D5 Track-Type Tractor Specifications

## D5 VPAT

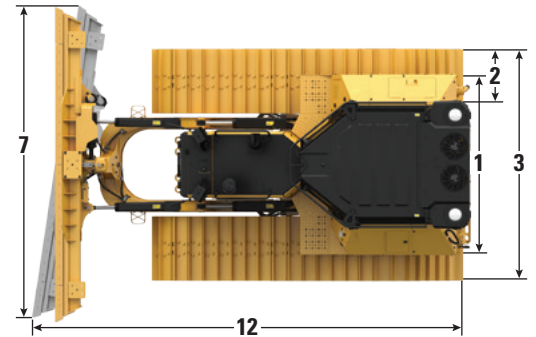
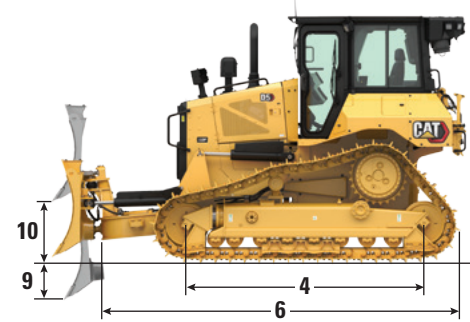
Operating Weight*	17 180 kg	37,875 lb
Shipping Weight**	16 950 kg	37,368 lb
Ground Pressure (ISO 16754)	47.6 kPa	6.9 psi
Undercarriage (Standard)	40 Section/ 7 Bottom Rollers	
<b>1</b> Track Gauge	1890 mm	74.4 in
<b>2</b> Width of Track Shoe (Standard)	610 mm	24 in
<b>3</b> Width of Tractor	2500 mm	98.4 in
<b>4</b> Length of Track on Ground	2562 mm	100.9 in
Ground Contact Area (ISO 16754)	3.5 m <sup>2</sup>	5,469 in <sup>2</sup>
Grouser Height (Moderate Service)	57 mm	2.2 in
Ground Clearance	358 mm	14.1 in
<b>5</b> Machine Height***	3085 mm	121.5 in
<b>6</b> Length of Basic Tractor	3680 mm	144.9 in

All dimensions above with SystemOne™ undercarriage with Extreme Service shoes of maximum width for configuration, VPAT blade, and calculated per ISO 16754 unless otherwise specified.

\*Operating weight includes blade, lubricants, coolant, full fuel tank, ROPS/FOPS cab, drawbar, and 75 kg (165 lb) operator.

\*\*Shipping weight includes blade lift cylinders, C-frame, lubricants, coolant, 10% fuel, ROPS/FOPS cab, and drawbar.

\*\*\*Machine height from tip of grouser to top of Product Link™ Antenna. For sweeps, add 64 mm (2.5 in) to overall machine height. For forestry sweeps, add 81 mm (3.2 in). With Extreme Service, add 9 mm (0.4 in). When Cat GRADE with 3D antennas are installed there is no added machine height.



LGP VPAT Model Shown

## Blades

Configuration	VPAT		VPAT – Foldable	
Capacity (ISO 9246)	3.5 m <sup>3</sup>	4.6 yd <sup>3</sup>	3.5 m <sup>3</sup>	4.6 yd <sup>3</sup>
<b>7</b> Width across End Bits	3272 mm	10.7 ft	3272 mm	10.7 ft
Width without End Bits	3159 mm	10.4 ft	3159 mm	10.4 ft
Width across End Bits (Blade Angled 24°)	2998 mm	118.0 in	2558 mm	100.7 in
Width without End Bits (Blade Angled 24°)	2908 mm	114.5 in	2539 mm	97.0 in
Maximum Blade Angle	24°		24°	
<b>8</b> Height	1261 mm	49.6 in	1261 mm	49.6 in
<b>9</b> Dig Depth	559 mm	22.0 in	559 mm	22.0 in
<b>10</b> Lift Height	971 mm	38.2 in	971 mm	38.2 in
<b>11</b> Maximum Tilt at Blade Corner	257 mm	10.1 in	257 mm	10.1 in
Maximum Tilt Angle	8.5°		8.5°	
Pitch Adjustment	60° (cutting edge/ground, nominal); -2°/+4°		60° (cutting edge/ground, nominal); -2°/+4°	
<b>12</b> Length of Machine (Blade Straight)	5000 mm	197 in	5016 mm	197 in
Length of Machine (Blade Angled 24°, without fuel tank guard)	5621 mm	221 in	5621 mm	221 in
Blade Weight	1090 kg	2,403 lb	1286 kg	2,835 lb

# D5 Track-Type Tractor Specifications

## D5 LGP VPAT

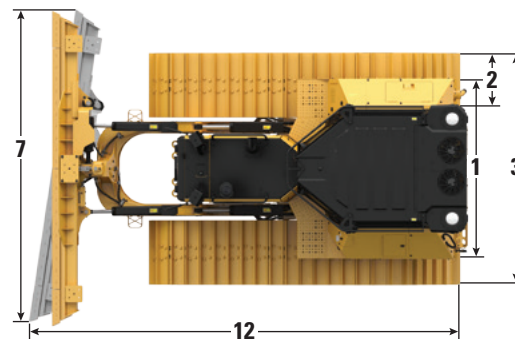
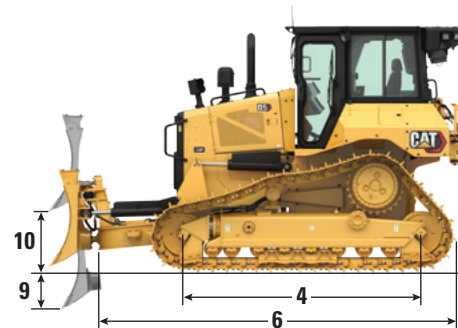
Operating Weight*	19 170 kg	42,263 lb
Shipping Weight**	18 940 kg	41,756 lb
Ground Pressure (ISO 16754)	32.6 kPa	4.7 psi
Undercarriage (Standard)	46 Section/ 8 Bottom Rollers	
<b>1</b> Track Gauge	2160 mm	85.0 in
<b>2</b> Width of Track Shoe (Standard)	840 mm	33 in
<b>3</b> Width of Tractor	3000 mm	118.1 in
<b>4</b> Length of Track on Ground	3116 mm	122.7 in
Ground Contact Area (ISO 16754)	5.8 m <sup>2</sup>	8,995 in <sup>2</sup>
Grouser Height (Moderate Service)	57 mm	2.2 in
Ground Clearance	473 mm	18.6 in
<b>5</b> Machine Height***	3200 mm	126.0 in
<b>6</b> Length of Basic Tractor	4151 mm	163.4 in

All dimensions above with SystemOne undercarriage with Extreme Service shoes of maximum width for configuration, VPAT blade, and calculated per ISO 16754 unless otherwise specified.

\*Operating weight includes blade, lubricants, coolant, full fuel tank, ROPS/FOPS cab, drawbar, and 75 kg (165 lb) operator.

\*\*Shipping weight includes blade lift cylinders, C-frame, lubricants, coolant, 10% fuel, ROPS/FOPS cab, and drawbar.

\*\*\*Machine height from tip of grouser to top of Product Link Antenna. For sweeps, add 64 mm (2.5 in) to overall machine height. For forestry sweeps, add 81 mm (3.2 in). With Extreme Service, add 9 mm (0.4 in). When Cat GRADE with 3D antennas are installed there is no added machine height.



## Blades

Configuration	LGP VPAT		LGP VPAT – Foldable	
Capacity (ISO 9246)	4.0 m <sup>3</sup>	5.2 yd <sup>3</sup>	4.2 m <sup>3</sup>	5.5 yd <sup>3</sup>
<b>7</b> Width across End Bits	4080 mm	13.4 ft	4080 mm	13.4 ft
Width without End Bits	3969 mm	156.3 in	3969 mm	156.3 in
Width across End Bits (Blade Angled 24°)	3736 mm	147.1 in	3736 mm	147.1 in
Width without End Bits (Blade Angled 24°)	3640 mm	143.3 in	3640 mm	143.3 in
Width across End Bits (Blade Angled 33° for transportation purpose only)	—	—	3000 mm	118.1 in
Maximum Blade Angle	24°		24°	
<b>8</b> Height	1263 mm	49.7 in	1263 mm	49.7 in
<b>9</b> Dig Depth	580 mm	22.8 in	580 mm	22.8 in
<b>10</b> Lift Height	1051 mm	41.4 in	1051 mm	41.4 in
<b>11</b> Maximum Tilt at Blade Corner	371 mm	14.6 in	371 mm	14.6 in
Maximum Tilt Angle	8.5°		8.5°	
Pitch Adjustment	60° (cutting edge/ground, nominal); -2°/+4°		60° (cutting edge/ground, nominal); -2°/+4°	
<b>12</b> Length of Machine (Blade Straight)	5350 mm	211 in	5350 mm	211 in
Length of Machine (Blade Angled 24°, without fuel tank guard)	6137 mm	242 in	6027 mm	237 in
VPAT Blade foldable, angled 33° for transportation purpose only	—	—	6377 mm	251 in
Weight (Blade)	1256 kg	2,769 lb	1526 kg	3,364 lb

# D5 Track-Type Tractor Specifications

## D5 VPAT Fine Grading

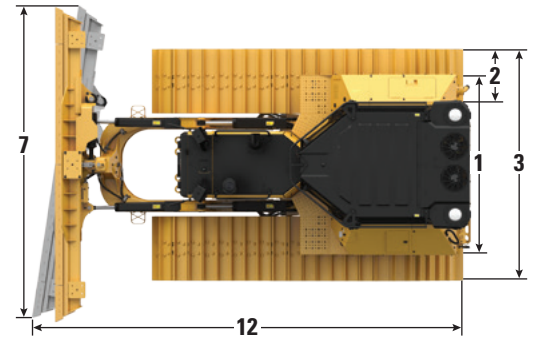
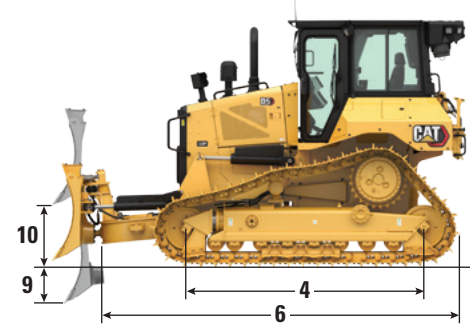
Operating Weight*	17 780 kg	39,198 lb
Shipping Weight**	17 550 kg	38,691 lb
Ground Pressure (ISO 16754)	41.4 kPa	6.0 psi
Undercarriage (Standard)	46 Section/ 8 Bottom Rollers	
<b>1</b> Track Gauge	1890 mm	74.4 in
<b>2</b> Width of Track Shoe (Standard)	610 mm	24 in
<b>3</b> Width of Tractor	2500 mm	98.4 in
<b>4</b> Length of Track on Ground	3116 mm	122.7 in
Ground Contact Area (ISO 16754)	4.2 m <sup>2</sup>	6,525 in <sup>2</sup>
Grouser Height (Moderate Service)	57 mm	2.2 in
Ground Clearance	473 mm	18.6 in
<b>5</b> Machine Height***	3200 mm	126.0 in
<b>6</b> Length of Basic Tractor	4151 mm	163.4 in

All dimensions above with SystemOne undercarriage with Extreme Service shoes of maximum width for configuration, VPAT blade, and calculated per ISO 16754 unless otherwise specified.

\*Operating weight includes blade, lubricants, coolant, full fuel tank, ROPS/FOPS cab, drawbar, and 75 kg (165 lb) operator.

\*\*Shipping weight includes blade lift cylinders, C-frame, lubricants, coolant, 10% fuel, ROPS/FOPS cab, and drawbar.

\*\*\*Machine height from tip of grouser to top of Product Link Antenna. For sweeps, add 64 mm (2.5 in) to overall machine height. For forestry sweeps, add 81 mm (3.2 in). With Extreme Service, add 9 mm (0.4 in). When Cat GRADE with 3D antennas are installed there is no added machine height.



LGP VPAT Model Shown

## Blades

Configuration	VPAT		VPAT – Foldable	
	Capacity (ISO 9246)		Capacity (ISO 9246)	
Capacity (ISO 9246)	3.5 m <sup>3</sup>	4.6 yd <sup>3</sup>	3.5 m <sup>3</sup>	4.6 yd <sup>3</sup>
<b>7</b> Width across End Bits	3272 mm	10.7 ft	3272 mm	10.7 ft
Width without End Bits	3159 mm	10.4 ft	3159 mm	10.4 ft
Width across End Bits (Blade Angled 24°)	2998 mm	118.0 in	2558 mm	100.7 in
Width without End Bits (Blade Angled 24°)	2908 mm	114.5 in	2539 mm	97.0 in
Maximum Blade Angle	24°		24°	
<b>8</b> Height	1261 mm	49.6 in	1261 mm	49.6 in
<b>9</b> Dig Depth	580 mm	22.8 in	580 mm	22.8 in
<b>10</b> Lift Height	1051 mm	41.4 in	1051 mm	41.4 in
<b>11</b> Maximum Tilt at Blade Corner	257 mm	10.1 in	257 mm	10.1 in
Maximum Tilt Angle	8.5°		8.5°	
Pitch Adjustment	60° (cutting edge/ground, nominal); -2°/+4°		60° (cutting edge/ground, nominal); -2°/+4°	
<b>12</b> Length of Machine (Blade Straight)	5350 mm	211 in	5350 mm	211 in
Length of Machine (Blade Angled 24°, without fuel tank guard)	5969 mm	235 in	5969 mm	235 in
Weight (Blade)	1090 kg	2,403 lb	1286 kg	2,835 lb

# D5 Track-Type Tractor Specifications

## D5 SU

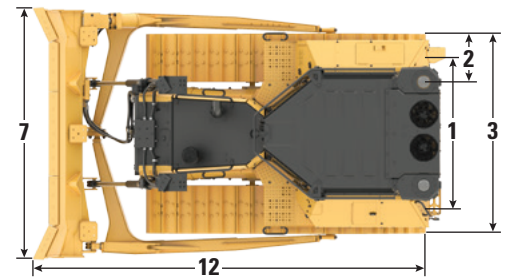
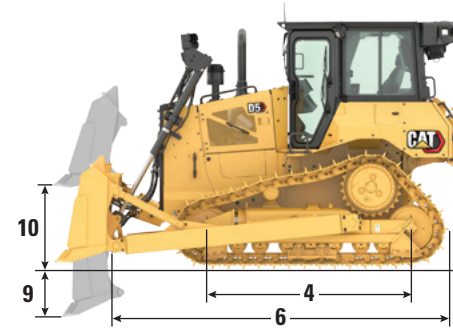
Operating Weight*	17 340 kg	38,228 lb
Shipping Weight**	17 110 kg	37,721 lb
Ground Pressure (ISO 16754)	48.2 kPa	7.0 psi
Undercarriage	40 Section/ 7 Bottom Rollers	
<b>1</b> Track Gauge	1890 mm	74.4 in
<b>2</b> Width of Track Shoe (Standard)	610 mm	24 in
<b>3</b> Width of Tractor (without trunnions)	2500 mm	98.4 in
<b>4</b> Length of Track on Ground	2562 mm	100.9 in
Ground Contact Area (ISO 16754)	3.5 m <sup>2</sup>	5,469 in <sup>2</sup>
Grouser Height (Moderate Service)	57 mm	2.5 in
Ground Clearance	358 mm	14.1 in
<b>5</b> Machine Height***	3085 mm	121.5 in
<b>6</b> Length of Basic Tractor	3680 mm	144.9 in

All dimensions above with SystemOne undercarriage with Moderate Service shoes of maximum width for configuration, SU blade, and calculated per ISO 16754 unless otherwise specified.

\*Operating weight includes blade, lubricants, coolant, full fuel tank, ROPS/FOPS cab, drawbar, and 75 kg (165 lb) operator.

\*\*Shipping weight includes blade lift cylinders, C-frame, lubricants, coolant, 10% fuel, ROPS/FOPS cab, and drawbar.

\*\*\*Machine height from tip of grouser to top of Product Link Antenna. For sweeps, add 64 mm (2.5 in) to overall machine height. For forestry sweeps, add 81 mm (3.2 in). With Extreme Service, add 9 mm (0.4 in). When Cat GRADE with 3D antennas are installed there is no added machine height.



## Blade

Configuration	SU	
Capacity (ISO 9246)	4.3 m <sup>3</sup>	5.6 yd <sup>3</sup>
<b>7</b> Width across End Bits	3164 mm	10.4 ft
Width without End Bits	3122 mm	10.2 in
<b>8</b> Height	1338 mm	52.7 in
<b>9</b> Dig Depth	544 mm	21.4 in
<b>10</b> Lift Height	1104 mm	43.4 in
<b>11</b> Maximum Tilt at Blade Corner	140 mm	5.5 in
Maximum Tilt Angle	8°	
Pitch Adjustment	±5.1°	
<b>12</b> Length of Machine with SU Blade (without fuel tank guard)	5087 mm	200 in
Blade Weight (blade + push arms installed)	2050 kg	4,520 lb

# D5 Track-Type Tractor Specifications

## Track Shoes

Some track shoes not available in all regions. Please consult your Cat dealer for details.

Standard			
560 mm (22 in)	Heavy Duty Extended Life (HDXL)	Moderate Service	
560 mm (22 in)	HDXL	Extreme Service	
560 mm (22 in)	HDXL	Extreme Service	Fire Dozer
560 mm (22 in)	SystemOne	Extreme Service	
600 mm (24 in)	HDXL	Moderate Service	
600 mm (24 in)	HDXL	Moderate Service	Fine Grading
600 mm (24 in)	HDXL	Extreme Service	
600 mm (24 in)	HDXL	Extreme Service	Center Hole
610 mm (24 in)	SystemOne	Moderate Service	Fine Grading
610 mm (24 in)	SystemOne	Extreme Service	
610 mm (24 in)	SystemOne	Extreme Service	Center Hole
LGP			
840 mm (33 in)	HDXL	Extreme Service	
840 mm (33 in)	HDXL	Extreme Service	Center Hole
840 mm (33 in)	SystemOne	Moderate Service	
840 mm (33 in)	SystemOne	Extreme Service	
860 mm (34 in)	HDXL	Extreme Service	
860 mm (34 in)	HDXL	Self-Cleaning	
860 mm (34 in)	SystemOne	Extreme Service	
Super LGP (Japan only)			
1070 mm (42 in)	HDXL	Moderate Service	
1070 mm (42 in)	HDXL	Self-Cleaning	

## Specialty Dozer Arrangements

	Operating Weight		Shipping Weight		Blade Type	Blade Capacity	
Waste Handler							
VPAT	18 650 kg	41,123 lb	18 420 kg	40,616 lb	VPAT Landfill	6.8 m <sup>3</sup>	8.9 yd <sup>3</sup>
LGP VPAT	20 680 kg	45,599 lb	20 450 kg	45,092 lb	LGP VPAT Landfill	6.3 m <sup>3</sup>	8.2 yd <sup>3</sup>
SU	18 860 kg	41,586 lb	18 630 kg	41,079 lb	SU Landfill	7.3 m <sup>3</sup>	9.5 yd <sup>3</sup>
<ul style="list-style-type: none"> <li>Weights based on full Waste Handler package with rear striker bar/box, waste undercarriage, guarded final drives, center hole track, landfill blade, waste cab and cab air pressurizer.</li> </ul>							
Heavy Duty/Forestry							
D5 VPAT Forestry	18 180 kg	40,087 lb	17 950 kg	39,580 lb	VPAT	6.2 m <sup>3</sup>	8.1 yd <sup>3</sup>
D5 LGP VPAT Forestry	20 170 kg	44,475 lb	19 940 kg	43,968 lb	LGP VPAT	6.3 m <sup>3</sup>	8.2 yd <sup>3</sup>
D5 SU Forestry	18 520 kg	40,837 lb	18 920 kg	41,719 lb	SU	4.3 m <sup>3</sup>	5.6 yd <sup>3</sup>
<ul style="list-style-type: none"> <li>Weights based on Forestry package with drawbar.</li> </ul>							
Fire Suppression Dozer <sup>1</sup>							
VPAT	20 250 kg**	44,644 lb**	19 930 kg**	43,938 lb**	VPAT	6.2 m <sup>3*</sup>	8.1 yd <sup>3**</sup>
LGP VPAT	21 620 kg**	46,870 lb**	21 300 kg**	46,958 lb**	VPAT	6.3 m <sup>3*</sup>	8.2 yd <sup>3**</sup>
Super LGP <sup>1</sup> (Japan only)							
Super LGP	22 250 kg	49,053 lb	22 000 kg	48,502 lb	Straight	2.7 m <sup>3</sup>	3.5 yd <sup>3</sup>

<sup>1</sup>Preliminary specifications. Please check with your Cat dealer for availability.

\*Includes brush guard.

\*\*Includes Winch Arrangement.

# D5 Track-Type Tractor Specifications

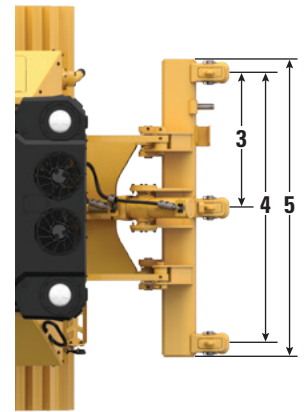
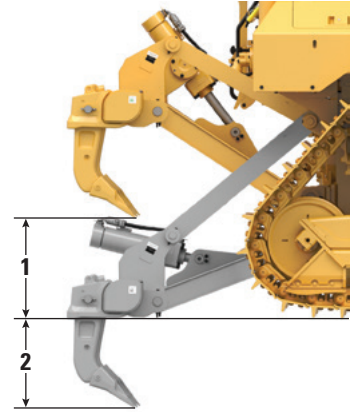
## Dimensions – Rear Attachments

Add the following to the total length of the machine when these rear attachments are installed.

D5	Drawbar		Winch		Ripper		Waste Striker Box	
<b>Push Arm and VPAT Dozers</b>	16 mm	0.6 in	446 mm	17.6 in	1060 mm	41.7 in	152 mm	6 in

## Ripper

Type	Fixed Parallelogram	
Weight with Three Shanks	1393 kg	3,071 lb
<b>1</b> Maximum Clearance, Raised (Shank Tip)		
D5 VPAT/Push Arms	404 mm	15.9 in
D5 LGP VPAT	518 mm	20.4 in
<b>2</b> Maximum Penetration		
Standard	552 mm	21.7 in
LGP	437 mm	17.2 in
<b>3</b> Pocket Spacing	1000 mm	3 ft 3.4 in
<b>4</b> Shank Gauge	2 m	6 ft 7 in
Shank Section	73 mm × 176 mm	2.9 in × 6.9 in
Number of Pockets	3	
<b>5</b> Overall Beam Width	2202 mm	86.7 in
Beam Cross Section	219 mm × 254 mm	8.6 in × 10.0 in
Maximum Penetration Force		
Standard	51.6 kN	11,600 lbf
LGP	43 kN	9,667 lbf
Maximum Pryout Force		
Standard	211.2 kN	47,480 lbf
LGP	170 kN	38,217 lbf





# D5 Track-Type Tractor Specifications

## Winch

Winch Model	PA55	
Weight*	1277 kg	2,815 lb
Oil Capacity	73 L	19.3 gal
Winch and Bracket Length	1145 mm	45.1 in
Winch Case Width	975 mm	38.4 in
Drum Diameter	254 mm	10 in
Drum Width	315 mm	12.4 in
Flange Diameter	504 mm	19.8 in
Drum Capacity – 22 mm (0.88 in)	88 m	288 ft 9 in
Winch Drive	Mechanical	
Control	Electric	
Overall Width	975 mm	38.4 in
Rope Diameter (recommended)	19 mm	0.75 in
Cable Ferrule Size (O.D. × Length)	54 mm × 67 mm	2.1 in × 2.6 in
Maximum Bare Drum		
Line Pull	31 388 kg*	69,200 lb*
Line Speed	43 m/min	141 ft/min
Maximum Full Drum		
Line Pull	23 359 kg*	54,100 lb*
Line Speed	66 m/min	210 ft/min

\*Weight: Includes pump, operator controls, oil, mounting brackets and spacers.

Slow and standard speed winches are available.

# D5 Track-Type Tractor Specifications

## Standards

### ROPS/FOPS

- ROPS (Rollover Protective Structure) offered by Caterpillar for the machine meets ROPS criteria ISO 3471:2008.
- FOPS (Falling Object Protective Structure) meets ISO 3449:2005 Level II.

### Brakes

- Brakes meet the standard ISO 10265:2008.

### Sound and Vibration – Cab

#### Sound Level Information

- The declared dynamic operator sound pressure level is 74 dB(A) when “ISO 6396:2008” is used to measure the value for an enclosed cab. The measurement was conducted at 70% of maximum engine cooling fan speed. The sound level may vary at different engine cooling fan speeds. The cab was properly installed and maintained. The measurement was conducted with the cab doors and the cab windows closed.

NOTE: The dynamic operator sound pressure level uncertainty is  $\pm 2$  dB(A).

- Hearing protection may be needed when the machine is operated with an open operator station for extended periods or in a noisy environment. Hearing protection may be needed when the machine is operated with a cab that is not properly maintained, or when the doors and windows are open for extended periods or in a noisy environment.
- The guaranteed exterior sound power level is 110 dB(A) when the value is measured according to the dynamic test procedures and the conditions that are specified in “ISO 6395:2008.” The measurement was conducted at 70% of the maximum engine cooling fan speed. The sound level may vary at different engine cooling fan speeds.
- Sound level information for machines in European Union countries and in countries that adopt the “EU directives.” The information below applies to only the machine configurations that have the “CE” mark on the product identification plate. If equipped, the certification label is used to verify the environmental sound certification of the machine to the requirement of the European Union. The value that is listed on the label indicates the guaranteed exterior sound power level ( $L_{WA}$ ) at the time of manufacture for conditions that are specified in the “2000/14/EC.”

## Sustainability – Sound and Vibration Levels

### Sound Levels

Guaranteed Exterior Sound Power	
2000/14/EC	ISO 6395:2008
	110 dB(A)
Dynamic Operator Sound Pressure Level ( $L_{pA}$ )	
ISO 6396:2008	74 dB(A)

### Vibration Levels

Maximum Hand/Arm*	
ISO 5349:2001	2.5 m/s <sup>2</sup>
Maximum Whole Body*	
ISO/TR25398:2006	0.5 m/s <sup>2</sup>
Seat Transmissibility Factor	
ISO 7096:2000 – spectral class EM6	<0.7

- Values are for an experienced operator in a dozing application, consult the Operating and Maintenance Manual for further details.

## Advanced Cabin Filtration

### Operator Cabin

- Distributed HVAC ducting with automatic temperature control and blower speed provides ultimate operator comfort with less user input.
- Reduced maintenance of the condenser core with automatic reversing fans.
- Cat Advanced Cabin Filtration is standard.

### Cat Advanced Cabin Filtration

- Operator protection from respirable particulate (0.3-10-micron size).
- Sustainably pressurized cab (U.S. Silica compliant).
- Reduced maintenance with longer life, high efficiency filters.
- Protection for all cabin components: electronics, etc.
- Helps meet U.S. Occupational Safety and Health Administration Silica Rule Table 1 requirements for operator cabs.
- Multi-tiered filter offerings for optional efficiency upgrades. Contact Cat dealer for availability.
  - MERV 16 – Standard Equipment
  - HEPA
  - Activated Carbon + HEPA
  - ABEK1 + HEPA

## Waste Handling Package

Waste Handling package provides added features to help protect the machine and operator in harsh waste applications.

### Required/Recommended Waste Handler Features:

- Heavy duty guarding package with heavy duty bottom guards and fuel tank guard
- 12 premium guarded LED lights
- Guarded final drive
- Reversing fan
- Trash resistant radiator for high debris applications (six fins/inch)
- High debris cab
- Cab air precleaner
- Fuel tank cover guard
- Waste Undercarriage:
  - Heavy Duty Extended Life (HDXL) undercarriage includes Kevlar® guarded, sealed idlers to help prevent debris such as wire, string or plastic bags from wrapping into seals
  - Has alternating Single Flange and Double Flange track rollers
  - Track bushings can be turned and re-sealed mid-life
  - Press-fit bushings and PPR2 pin retention are particularly well suited for impact applications such as forestry, waste, rock, or V-ditching
  - Center Guides recommended
- Turbine precleaner with screen
- Center hole track
- Rear box with striker bar
- Quick access cab floor provides tool-less access to the floor plate opening

### Landfill Blades

Equipped with a trash rack to increase productive capacity when machine works in lighter material such as waste.

- VPAT Waste Blade 2992 mm (118 in) wide, 6.2 m<sup>3</sup> (8.1 yd<sup>3</sup>) capacity
- LGP VPAT Waste Blade 3788 mm (149 in) wide, 6.3 m<sup>3</sup> (8.2 yd<sup>3</sup>) capacity
- SU Landfill Blade 3072 mm (121 in) wide, 4.3 m<sup>3</sup> (5.6 yd<sup>3</sup>) capacity

## Forestry/Heavy Duty Package

Forestry package can be ordered with added components to help protect the machine and operator in land clearing and other tough applications.

### Required/Recommended Forestry Features:

- Roof top sweeps
- Side and rear hinged screen
- Heavy duty guarding package with heavy duty bottom guards and fuel tank guard
- 12 premium guarded LED lights
- Heavy duty cab with features of the premium cab plus poly-carbonate glass doors for added impact resistance
- Fuel tank cover guard
- Turbine precleaner with screen
- Heavy Duty Extended Life (HDXL) undercarriage with Duralink™:
  - For use in all applications
  - Track bushings can be turned and re-sealed mid-life
  - Press-fit bushings and PPR2 pin retention are particularly well suited for impact applications such as forestry, waste, rock, or V-ditching

# D5 Special Arrangements

## Fire Suppression Dozer

Outfitted with guarding against fire and heat, specialized operator safety features and added machine protection for forest fire fighting and prevention.

### Included/Optional Fire Dozer Features:

- All modifications included in the heavy duty guarding package (excluding front sweeps)
  - Rear sweeps
  - Heavy duty fenders, battery box, enclosure and fuel tank guard
  - Muffler extension flush with sweeps top plate
- All hydraulic and harnesses fire resistant wrapped
- Fuel, A/C, air, DEF lines heat insulated
- Emergency fuel shut-off commanded inside the cab
- Quick access door on cab floor
- All heavy duty bottom guards (16 mm/0.6" thick)
- Front towing eye
- All windows sealed
- Silicone sealing between cab and sheet metal
- Dual control winch/ripper
- 4 × 4,200 lumens heat resistant lights (body and lens), plus insulated harness and switch provisions to add 12 lights (for customer customization)
- Hydraulic reversing fan
- Special engine arrangement for emergency vehicles (U.S. only) compliant with 40 CFR 89-908 (overheat protection and DEF level check deactivated permanently)
- Additional 8 × 4,200 lumens heat resistant lights (body and lens)
- Brush guard blade equipped with blade to hardnose cables protecting C-frame lines
- All windows tempered or laminated – front windshield laminated
- Cab air enhanced filtration:
  - Turbine precleaner plus HEPA filter (particles <0.3 µm) plus Carbon filter
- Fire resistant EcoSafe® oil
- XtraRear undercarriage (43 shoes) with one roller added at back for increased stability on steep slopes
- Built in fire suppression ready system (Supplied: water tank, pump and hose; Not supplied: belly guard sprinkling system)
- Screen package to cover the front windshield and the cab doors

## Standard and Optional Equipment

Standard and optional equipment may vary. Consult your Cat dealer for details.

	Standard	Optional		Standard	Optional
<b>POWER TRAIN</b>			<b>OPERATOR ENVIRONMENT</b>		
Cat C7.1 diesel engine	✓		Fully redesigned cab, sound suppressed, with Integrated Roll Over Protective Structure (IROPS), screen ready	✓	
Fully-automatic 3-speed transmission:	✓		Full-color 10-inch (254 mm) liquid crystal touchscreen display	✓	
– Automatic directional and downshift			Integrated rearview camera	✓	
– Controlled throttle, load compensated			In-display key machine features	✓	
– Infinite ground speed adjustment			Application Profile	✓	
– Programmable/selectable bi-directional shifting			Operator ID/Operator ID with Security	✓	
Air-to-air aftercooler (ATAAC)	✓		Premium cab with adjustable armrests		✓
Aluminum bar plate radiator	✓		Cloth seat	✓	
Automatic glowplugs	✓		Deluxe leather heated/ventilated seat		✓
Differential steering	✓		Electrohydraulic implement and steering controls	✓	
Engine air precleaner	✓		Joystick control – Standard or ARO		✓
Engine air precleaner with turbine/screen		✓	Fresh air filter	✓	
Engine idle shutdown	✓		Powered precleaner		✓
Enhanced Power Train Control:	✓		Cab mounted modular Heating/Ventilation/Air Conditioning (HVAC) system	✓	
– Hill Decent Control			Rearview mirror	✓	
– Hill Hold			Retractable 76 mm (3 in) seatbelt	✓	
– Decel Brake Pedal			Communication radio ready	✓	
– Steering Radius Control			Radio, AM/FM/Aux/USB/Bluetooth®		✓
Extended life coolant	✓		Added storage areas	✓	
Ether starting aid		✓	Cup holders	✓	
Final Drives – Arctic, Waste, Super LGP or Fire Dozer		✓	Dash foot pads	✓	
Final Drives – Standard or LGP	✓		Glove box	✓	
Fuel priming pump	✓		Lunchbox storage	✓	
Fuel water separator	✓		Wipers	✓	
Hydraulic demand fan	✓		High Debris/Waste cab with impact resistant polycarbonate doors, solid side windows		✓
Hydraulic reversing fan		✓	Heavy Duty/Forestry cab with impact resistant polycarbonate doors, sliding side windows		✓
Sound suppression (EU only)		✓	Fire Dozer cab with sealed and tempered doors/windows, solid side windows, air filter restriction gauge, fan controls, additional switches		✓
Trash Resistant Radiator Cores		✓			
<b>CAT TECHNOLOGY</b>					
Slope Indicate	✓				
ARO with Slope Assist		✓			
Updated Cat GRADE with 3D		✓			
Full-color 10-inch (254 mm) touchscreen grade display		✓			
AutoCarry™ (included in Cat GRADE with 3D)		✓			
Updated Stable Blade (included in ARO with Assist)		✓			
Traction Control (included in Cat GRADE with 3D)		✓			
Blade Load Monitor (included in Cat GRADE with 3D)		✓			
Product Link, Cellular PLE641	✓				
Product Link Elite PLE783 – Dual Cellular/Satellite		✓			

(continued on next page)

# D5 Standard and Optional Equipment

## Standard and Optional Equipment *(continued)*

Standard and optional equipment may vary. Consult your Cat dealer for details.

	Standard	Optional		Standard	Optional
<b>UNDERCARRIAGE</b>			<b>BULLDOZERS</b>		
Standard or Low Ground Pressure (LGP) undercarriage	✓		VPAT dozer package		✓
Super LGP (Japan only)		✓	SU dozer package		✓
Heavy Duty (HDXL with DuraLink) or SystemOne undercarriage	✓		<b>BLADES</b>		
Fine grading undercarriage		✓	VPAT		✓
Waste, fire dozer undercarriage		✓	Semi-Universal		✓
Carrier rollers	✓		Foldable VPAT		✓
Hydraulic track adjusters	✓		Waste/Landfill		✓
Lifetime lubricated track and rollers	✓		Fire Dozer		✓
Moderate service track shoes (see chart on page 7)	✓		<b>HYDRAULICS</b>		
Extreme service track shoes (see chart on page 7)		✓	Load sensing hydraulics	✓	
Redesigned track roller frame	✓		Independent steering and implement pumps	✓	
Track roller frame guiding guards: center, partial or full (NOTE: center guiding guards standard on LGP machine)		✓	<b>ELECTRICAL</b>		
			Lights – 6 LED	✓	
			Premium lights – 12 LED		✓
			Backup alarm	✓	
			Beacon warning light		✓
			Converter: two 10 Amp, 12V outlets	✓	
			Forward warning horn	✓	

*(continued on next page)*

## Standard and Optional Equipment (continued)

Standard and optional equipment may vary. Consult your Cat dealer for details.

	Standard	Optional		Standard	Optional
<b>SERVICE AND MAINTENANCE</b>			<b>ATTACHMENTS</b>		
30-minute cab removal	✓		Ripper-ready rear hydraulics		✓
Adjustable pitch link (VPAT)	✓		Dual ripper/winch control		✓
Centralized, remote mounted pressure taps	✓		Ripper with straight or curved shanks		✓
Ecology drains	✓		Winch:		✓
Extended service intervals (500 hours engine, 1,000 hours power train)	✓		– PACCAR PA55, low speed PTO		
Fast fuel fill		✓	– PACCAR PA55, standard speed PTO		
Ground level service center (remote electrical disconnect, secondary shutdown switch, hour meter)	✓		– Fairlead Assembly; 3-roller, fits PA55 winches		
High-speed oil change		✓	– Retrofit kit (4th roller); fits PA55 winches		
Heavy duty perforated radiator doors, louvered and hinged	✓		Drawbar		✓
Rear access ladder	✓		Heavy Duty/Forestry, High Debris/Waste, Fire Dozer special arrangements		✓
Refilling fuel pump (EU only)		✓	Open sweeps package		✓
Removable engine enclosures, perforated and hinged	✓		Rear striker box with striker bar		✓
S-O-S <sup>SM</sup> sampling ports	✓		<b>GUARDING AND SCREENS</b>		
Shovel holder	✓		Bottom guards – standard or heavy duty		✓
Under hood work light		✓	Fuel tank guards		✓
<b>BATTERIES, STARTERS, ALTERNATORS AND COOLANT</b>			Grab handles	✓	
95 Amp alternator	✓		Guards for premium lights, front and side		✓
24 Volt starter	✓		Side and rear screens		✓
Arctic engine coolant, – 51° C (–60° F)		✓			
Engine coolant, – 37° C (–35° F)	✓				
Cold Weather package: heavy duty battery, heavy duty starter, ether starting aid, jacket water heater		✓			
Two maintenance free 12-volt batteries (950 cca) (24-volt system)	✓				



オフロード法2014年  
基準適合

For more complete information on Cat products, dealer services, and industry solutions, visit us on the web at [www.cat.com](http://www.cat.com)

© 2019 Caterpillar  
All rights reserved

Materials and specifications are subject to change without notice. Featured machines in photos may include additional equipment. See your Cat dealer for available options.

CAT, CATERPILLAR, LET'S DO THE WORK, their respective logos, "Caterpillar Yellow," the "Power Edge" and Cat "Modern Hex" trade dress as well as corporate and product identity used herein, are trademarks of Caterpillar and may not be used without permission.

AEXQ2535 (06-2019)  
Build Number: 17A  
(ANZ, EU, NAm, Japan,  
Korea, Turkey)

