

# OPERATION MANUAL

## SK130LC-11

APPLICABLE No.

SK130LC-11

LP10030001~

Kobelco Construction Machinery Europe B.V.  
Veluwezoom 15, 1327 AE Almere  
The Netherlands



READ, UNDERSTAND AND FOLLOW ALL SAFETY  
PRECAUTIONS AND INSTRUCTIONS FOUND IN THIS  
MANUAL BEFORE OPERATING THE MACHINE.

**Book Code No. S2LP00002ZE04**

Original instructions

2020.05

Destination : EUR



## IMPORTANT INFORMATION

PREFACE .....	0-3
STORE OPERATION & MAINTENANCE MANUALS ON THE MACHINE .....	0-4
SAFETY INFORMATION IN MESSAGES OR LABELS IN THIS MANUAL AND ON THE MACHINE .....	0-5
SAFETY LABELS .....	0-5
SUMMARY OF THE MACHINE .....	0-7
QUALIFICATION FOR OPERATING THE MACHINE .....	0-8
FLUORINATED GREENHOUSE GASES .....	0-9
"EU" DECLARATION OF CONFORMITY .....	0-10
VIBRATION TO THE OPERATOR .....	0-12
NOISE LEVEL .....	0-13
CAB WITH ROPS (ROLL-OVER PROTECTIVE STRUCTURE)/FALLING OBJECTS PROTECTIVE STRUCTURE .....	0-14
ORDERING PARTS AND SERVICE .....	0-15
WARRANTY .....	0-16
IMPORTANT NOTIFICATION .....	0-17

## 1. SAFETY INSTRUCTIONS

1.1 SAFETY LABELS & DECALS .....	1-3
1.1.1 ALWAYS MAKE SURE ALL OF THE SAFETY LABELS ARE LEGIBLE AND NOT DAMAGED .....	1-3
1.1.2 "DO NOT OPERATE" TAG .....	1-3
1.1.3 LOCATION OF SAFETY LABELS & DECALS .....	1-4
1.1.4 SAFETY LABELS .....	1-7
1.2 PRE-START SAFETY .....	1-11
1.2.1 OPERATION RULES .....	1-11
1.2.2 PROTECTION TOOLS .....	1-12
1.2.3 ABNORMAL AND EMERGENCY CONDITION .....	1-13
1.2.4 POTENTIAL HAZARDS WHEN OPERATING .....	1-14
1.2.5 FIRE PREVENTION .....	1-17
1.2.6 GETTING ON AND OFF THE MACHINE .....	1-18
1.2.7 PRE-START UP INSPECTION ON THE MACHINE .....	1-19
1.3 SECURE VISIBILITY .....	1-20
1.3.1 BE AWARE OF YOUR SURROUNDINGS .....	1-20
1.4 PRECAUTIONS FOR OPERATION .....	1-21
1.4.1 STARTING .....	1-21
1.4.2 TRAVELING .....	1-25
1.4.3 PROHIBITED OPERATIONS .....	1-28
1.4.4 SAFETY CHECK ON THE PARKING MACHINE .....	1-34
1.5 AT THE END OF EACH SHIFT .....	1-36
1.6 PRECAUTIONS OF INSPECTION & MAINTENANCE .....	1-37
1.6.1 PERIODIC INSPECTIONS .....	1-37
1.6.2 BEFORE INSPECTION & MAINTENANCE .....	1-38
1.6.3 DURING INSPECTION & MAINTENANCE .....	1-39
1.6.4 PROHIBITED IN INSPECTION & MAINTENANCE .....	1-45
1.6.5 AFTER COMPLETION OF MAINTENANCE .....	1-46
1.7 PRECAUTIONS FOR BATTERY .....	1-47

## [CONTENTS]

1.7.1 HANDLING THE BATTERY .....	1-47
1.8 HANDLING OF THE ACCUMULATOR OR GAS SPRING .....	1-48
<b>2. MACHINE FAMILIARIZATION</b>	
2.1 BASIC COMPONENTS OF THE MACHINE .....	2-3
2.2 OPERATOR'S STATION NOMENCLATURE .....	2-5
2.3 MONITOR .....	2-7
2.3.1 NORMAL SCREEN .....	2-7
2.3.2 SWITCH DISPLAY .....	2-8
2.3.3 NOTIFICATION ICON.....	2-8
2.3.4 HYDRAULIC OIL TEMPERATURE METER .....	2-9
2.3.5 FUEL LEVEL METER.....	2-9
2.3.6 ENGINE COOLANT TEMPERATURE METER.....	2-10
2.3.7 DEF/ADBLUE LEVEL GAUGE .....	2-10
2.3.8 SOOT DEPOSITION METER.....	2-11
2.3.9 SWITCH BOX.....	2-12
2.3.10 SETTING MENU SCREEN .....	2-14
2.3.11 SWITCH SETTING SCREEN .....	2-29
2.3.12 TRAVEL SPEED SELECTION.....	2-31
2.3.13 WORK MODE SELECTION .....	2-32
2.3.14 SWITCHING ATTACHMENT MODE .....	2-33
2.3.15 AUTO ACCELERATION ON/OFF SELECTION .....	2-39
2.3.16 SETTING OF OVER LOAD ALARM.....	2-40
2.3.17 WIPER SWITCH .....	2-41
2.3.18 WASHER SWITCH.....	2-41
2.3.19 BUZZER STOP SWITCH.....	2-42
2.3.20 WARNING DISPLAY SCREEN.....	2-45
2.3.21 CLOGGING DETECTOR OF HYDRAULIC OIL FILTER .....	2-49
2.4 HANDLING OF SWITCHES AND METERS .....	2-50
2.4.1 STARTER SWITCH.....	2-50
2.4.2 ENGINE THROTTLE.....	2-50
2.4.3 WORKING LIGHT (BOOM AND DECK).....	2-51
2.4.4 WORKING LIGHT SWITCH (CAB LIGHT) .....	2-51
2.4.5 MANUAL REGENERATION SWITCH.....	2-51
2.4.6 CAP (OPTION SWITCH) .....	2-52
2.4.7 HORN SWITCH .....	2-52
2.4.8 EMERGENCY ACCEL.....	2-53
2.4.9 SWING PARKING BRAKE RELEASE SWITCH.....	2-54
2.4.10 KPSS RELEASE SWITCH .....	2-54
2.4.11 ENGINE STOP SWITCH.....	2-55
2.4.12 12 V POWER SUPPLY .....	2-55
2.4.13 USB PORT/EXTERNAL INPUT TERMINAL (AUX) .....	2-56
2.5 HANDLING OF LEVERS AND PEDALS.....	2-57
2.5.1 LOCATION OF LEVERS AND PEDALS .....	2-57
2.5.2 CONTROL LOCK LEVER .....	2-58
2.5.3 OPERATOR CONTROL LEVERS .....	2-59

2.5.4	TRAVEL LEVER & PEDAL.....	2-60
2.5.5	DOZER OPERATION LEVER .....	2-61
2.6	HANDLING OF FUSE & RELAY BOX .....	2-62
2.6.1	ABOUT FUSE & RELAY BOX .....	2-62
2.6.2	REPLACING FUSES.....	2-62
2.6.3	FUSE CAPACITY AND CIRCUIT NAME .....	2-63
2.7	HANDLING OF FUSIBLE LINK (FOR STARTER) .....	2-64
2.7.1	FUSIBLE LINK INSPECTION/REPLACEMENT.....	2-64
2.8	CONTROLLER .....	2-65
2.9	HANDLING OF RADIO .....	2-66
2.9.1	NAME OF EACH PART .....	2-66
2.9.2	ON-AIR (NORMAL CONDITION) .....	2-67
2.9.3	SWITCHING SOURCE.....	2-68
2.9.4	FM/AM .....	2-69
2.9.5	BLUETOOTH AUDIO FUNCTION, AND USB PORT/EXTERNAL INPUT TERMINAL.....	2-74
2.9.6	PAIRING (REGISTRATION OF DEVICES).....	2-77
2.9.7	TELEPHONE FUNCTION.....	2-79
2.9.8	FILE PLAYING FUNCTION.....	2-81
2.9.9	VOLUME CONTROL.....	2-88
2.9.10	SOUND ADJUSTMENT.....	2-89
2.9.11	CLOCK ADJUSTMENT.....	2-93
2.9.12	DESCRIPTION OF BUILT-IN WIRELESS EQUIPMENT .....	2-94
2.10	AIR CONDITIONER.....	2-98
2.10.1	GRILLE (AIR OUTLET).....	2-98
2.10.2	AIR CONDITIONER CONTROL PANEL.....	2-99
2.10.3	AIR CONDITIONER OPERATION PANEL.....	2-100
2.10.4	HOW TO USE AIR CONDITIONER .....	2-103
2.10.5	SELF-DIAGNOSIS FUNCTION IN DISPLAY MONITOR.....	2-105
2.10.6	HANDLING AT IN-SEASON/OFF-SEASON .....	2-106
2.11	HANDLING OF SEAT BELT.....	2-107
2.11.1	HOW TO FASTEN SEAT BELT.....	2-107
2.11.2	HOW TO UNFASTEN SEAT BELT .....	2-107
2.12	HANDLING OF OPERATOR'S SEAT (AIR SUSPENSION SEAT).....	2-108
2.12.1	DAMPER ADJUSTMENT.....	2-108
2.12.2	WEIGHT ADJUSTMENT .....	2-109
2.12.3	HEIGHT ADJUSTMENT.....	2-109
2.12.4	RECLINING ADJUSTMENT.....	2-109
2.12.5	FRONT/REAR ADJUSTMENT OF CONTROL STAND.....	2-109
2.12.6	TILT ADJUSTMENT OF CONTROL BOX .....	2-109
2.12.7	FRONT/REAR ADJUSTMENT OF SEAT .....	2-110
2.12.8	TILT ADJUSTMENT OF SEAT SEATING SURFACE .....	2-110
2.12.9	FRONT/REAR ADJUSTMENT OF SEAT SEATING SURFACE.....	2-110
2.12.10	ARM REST ADJUSTMENT .....	2-110
2.12.11	HEAD REST ADJUSTMENT.....	2-110
2.12.12	SEAT HEATER.....	2-110
2.12.13	LUMBAR SUPPORT .....	2-110
2.13	HANDLING PARTS INSIDE CAB.....	2-111

## [CONTENTS]

2.13.1	CAB DOOR LOCK.....	2-111
2.13.2	OPENING DOOR FROM INSIDE OF CAB .....	2-111
2.13.3	OPENING/CLOSING FRONT WINDOW (UPPER).....	2-112
2.13.4	REMOVING FRONT WINDOW (LOWER).....	2-113
2.13.5	ROOM LAMP.....	2-114
2.14	EMERGENCY ESCAPE FROM OPERATOR'S STATION.....	2-115
2.15	OTHER ACCESSORIES.....	2-116
2.15.1	TOOL BOX .....	2-116
2.15.2	GREASE GUN HOLDER .....	2-116
2.15.3	GUARD/SIDE DOOR (WITH LOCK).....	2-116
2.16	BATTERY POWER-OFF SWITCH.....	2-118
2.17	FUEL SUPPLY PUMP.....	2-119

## 3. MACHINE OPERATION

3.1	DAILY MAINTENANCE CHECKS.....	3-3
3.1.1	SUPPORT STAY.....	3-3
3.2	CHECK BEFORE STARTING ENGINE.....	3-5
3.2.1	CHECKING COOLANT LEVEL AND REFILLING .....	3-5
3.2.2	CHECKING ENGINE OIL LEVEL OF ENGINE OIL PAN AND REFILLING.....	3-6
3.2.3	CHECKING FUEL LEVEL AND REFUELING .....	3-8
3.2.4	DRAINING FUEL PRE-FILTER .....	3-9
3.2.5	CHECKING OIL LEVEL OF HYDRAULIC OIL TANK.....	3-10
3.2.6	CHECKING FAN BELT AND AIR CONDITIONING COMPRESSOR BELT.....	3-11
3.2.7	CHECKING DEF/ADBLUE LEVEL AND REFILLING .....	3-12
3.2.8	ADJUSTMENT OF OPERATOR'S SEAT.....	3-13
3.2.9	ADJUSTMENT OF MIRRORS.....	3-14
3.2.10	CHECKING DISPLAY OF MONITOR.....	3-17
3.2.11	CHECKING WORKING LIGHT .....	3-17
3.2.12	CHECKING OF AIR CLEANER INLET .....	3-17
3.3	STARTING ENGINE.....	3-18
3.3.1	START-UP UNDER NORMAL TEMPERATURE CONDITIONS.....	3-18
3.3.2	START UP IN COLD CONDITIONS.....	3-20
3.3.3	USING JUMPER CABLES.....	3-21
3.4	STOPPING MACHINE ENGINE .....	3-23
3.5	CHECK AFTER STARTING ENGINE.....	3-24
3.5.1	CHECK OF PILOT CONTROL LOCK LEVER.....	3-24
3.5.2	CHECK OF ENGINE AND MONITOR.....	3-25
3.6	WARMING-UP.....	3-26
3.6.1	ENGINE WARMING-UP .....	3-26
3.6.2	WARMING-UP HYDRAULIC OIL.....	3-27
3.7	AUTO IDLING STOP FUNCTION.....	3-28
3.7.1	RESTART AFTER AUTO IDLE STOP .....	3-28
3.8	WORK MODE SELECTION .....	3-30
3.9	SWITCHING ATTACHMENT MODE .....	3-31
3.10	MACHINE OPERATION.....	3-32
3.10.1	PRECAUTIONS OF MACHINE OPERATION .....	3-32

3.10.2	TRAVEL PROCEDURES .....	3-33
3.10.3	TRAVEL SPEED SELECTION.....	3-35
3.10.4	MACHINE OPERATION IN WATER OR ON SOFT GROUND.....	3-36
3.10.5	GETTING OUT OF SOFT GROUND.....	3-37
3.10.6	SWING AND ATTACHMENT/EQUIPMENT OPERATIONS.....	3-38
3.11	WORK PROCEDURES OF MACHINE .....	3-40
3.11.1	DIGGING WORK.....	3-40
3.11.2	LOADING WORK .....	3-40
3.11.3	GROUND LEVELING WORK .....	3-41
3.12	ALWAYS PARK MACHINE PROPERLY .....	3-42
3.12.1	PARKING MACHINE ON SLOPE .....	3-42
3.13	INSPECTION AND CHECK AFTER OPERATION.....	3-44
3.14	MACHINE OPERATION IN ADVERSE CONDITIONS.....	3-45
3.14.1	OPERATION IN COLD CONDITION.....	3-45
3.14.2	OPERATION AT SEASHORE.....	3-46
3.14.3	OPERATION IN SANDY AND DUSTY AREAS.....	3-46
3.15	PRECAUTIONS FOR LONG-TERM STORAGE .....	3-47
3.15.1	WASHING MACHINE .....	3-47
3.15.2	REFILLING OIL/GREASING .....	3-47
3.15.3	BATTERY.....	3-47
3.15.4	COOLANT .....	3-47
3.15.5	PREVENTION OF DUST AND MOISTURE .....	3-48
3.15.6	PERIODICAL LUBRICATING OPERATION (DURING STORAGE) .....	3-48
3.15.7	TREATMENT AFTER LONG-TERM STORAGE.....	3-48
<b>4.</b>	<b>INSPECTION AND MAINTENANCE</b>	
4.1	GENERAL .....	4-3
4.2	INSPECTING AND MAINTAINING MACHINE.....	4-4
4.2.1	PERIODIC INSPECTION AND MAINTENANCE.....	4-4
4.2.2	PRECAUTIONS OF INSPECTION AND MAINTENANCE .....	4-4
4.2.3	SUPPORT STAY .....	4-5
4.3	DIESEL PARTICULATE FILTER (DPF).....	4-6
4.3.1	ABOUT DPF .....	4-6
4.3.2	ABOUT AUTOMATIC REGENERATION .....	4-6
4.3.3	ABOUT MANUAL REGENERATION.....	4-7
4.3.4	SOOT DEPOSITION METER AND WARNING DISPLAY .....	4-8
4.3.5	INSPECTION AND MAINTENANCE.....	4-9
4.3.6	PRECAUTIONS OF USING DPF.....	4-9
4.4	SCR SYSTEM AND DEF/ADBLUE .....	4-10
4.4.1	SCR.....	4-10
4.4.2	DEF/AdBlue.....	4-10
4.4.3	DEF/AdBlue CIRCUIT AND BATTERY.....	4-10
4.4.4	STORING DEF/ADBLUE .....	4-10
4.4.5	PURCHASING DEF/ADBLUE .....	4-10
4.4.6	LOW DEF/ADBLUE LEVEL .....	4-11
4.4.7	QUALITY PROBLEMS OF DEF/ADBLUE .....	4-11

## [CONTENTS]

4.4.8	DRAINING DEF/ADBLUE .....	4-12
4.4.9	FAILURE OF EXHAUST GAS CLEANING DEVICE .....	4-13
4.4.10	EMERGENCY EVACUATION MODE .....	4-14
4.4.11	SCR INSPECTION AND MAINTENANCE .....	4-14
4.5	LUBRICANT, FUEL & COOLANT SPECIFICATIONS .....	4-15
4.6	ABOUT USE OF BIO-OIL (BIODEGRADABLE HYDRAULIC OIL).....	4-17
4.6.1	GREASE AND OIL FOR USE .....	4-17
4.6.2	PRECAUTIONS FOR BIO-OIL .....	4-17
4.6.3	REPLACEMENT INTERVAL OF BIO-OIL.....	4-17
4.6.4	FLUSHING PROCEDURES OF BIO-OIL .....	4-17
4.7	MAINTENANCE PARTS .....	4-18
4.8	TIGHTENING TORQUES FOR BOLTS & NUTS (SPECIFIC POSITIONS) .....	4-19
4.9	TIGHTENING TORQUES FOR BOLTS & NUTS .....	4-21
4.10	TIGHTENING TORQUES FOR JOINTS & HYDRAULIC HOSES .....	4-23
4.11	INSPECTION AND MAINTENANCE CHART .....	4-25
4.12	MAINTENANCE WHEN REQUIRED.....	4-30
4.12.1	CHECKING AND REPLACING WIPER BLADES .....	4-30
4.12.2	WASHER FLUID INSPECTION .....	4-30
4.12.3	BLEEDING AIR FROM FUEL PIPING.....	4-31
4.12.4	CLEANING CAB SKYLIGHT .....	4-32
4.12.5	RELEASING INTERNAL PRESSURE IN HYDRAULIC SYSTEM.....	4-33
4.12.6	GREASING ATTACHMENT/EQUIPMENT .....	4-34
4.13	8 HOUR (DAILY) INSPECTION & MAINTENANCE PROCEDURES.....	4-35
4.13.1	GREASING ATTACHMENT .....	4-35
4.14	50 HOUR INSPECTION & MAINTENANCE PROCEDURES .....	4-37
4.14.1	INSPECTING AND MAINTAINING BATTERY.....	4-37
4.14.2	DRAINING WATER AND SEDIMENT IN FUEL TANK.....	4-39
4.14.3	ADJUSTING CRAWLER TENSION .....	4-41
4.15	120 HOUR INSPECTION & MAINTENANCE PROCEDURES .....	4-43
4.15.1	CHECKING ENGINE OIL LEVEL OF SWING REDUCTION UNIT.....	4-43
4.15.2	CHECKING OIL LEVEL OF TRAVEL REDUCTION UNIT .....	4-44
4.16	250 HOUR (3-MONTH) INSPECTION & MAINTENANCE PROCEDURES .....	4-45
4.16.1	ADJUSTING FAN BELT AND AIR CONDITIONING COMPRESSOR BELT.....	4-45
4.16.2	CHECKING INTAKE SYSTEM RUBBER HOSE .....	4-49
4.16.3	CHECKING RADIATOR HOSES .....	4-50
4.16.4	CLEANING OR REPLACING AIR CONDITIONER FILTERS .....	4-52
4.16.5	INSPECTING, CLEANING, OR REPLACING AIR CLEANER ELEMENT.....	4-54
4.16.6	CLEANING OR REPLACING RADIATOR CAP.....	4-56
4.16.7	INSPECTING SCR SYSTEM .....	4-57
4.16.8	CLEANING RADIATOR, OIL COOLER CORE AND SCREEN .....	4-58
4.17	500 HOUR (6-MONTH) INSPECTION & MAINTENANCE PROCEDURES .....	4-60
4.17.1	REPLACING ENGINE OIL AND ENGINE OIL FILTER .....	4-60
4.17.2	REPLACING FUEL PRE-FILTER .....	4-63
4.17.3	REPLACING FUEL FILTER .....	4-65
4.17.4	GREASING SWING BEARING.....	4-66
4.17.5	CHECKING SWING BEARING MOUNTING BOLT FOR LOOSENESS .....	4-66
4.17.6	CLEANING FUEL TANK CAP AND STRAINER .....	4-67



4.17.7	LUBRICATING PUSH ROD OF CONTROL LEVER .....	4-68
4.17.8	CHECKING AIR CONDITIONER REFRIGERANT .....	4-69
4.17.9	CLEANING OR REPLACING ELECTROMAGNETIC FUEL PUMP .....	4-71
4.18	1000 HOUR (12-MONTH) INSPECTION & MAINTENANCE PROCEDURES .....	4-73
4.18.1	REPLACING RETURN FILTER .....	4-73
4.18.2	REPLACING AIR BREATHER ELEMENT .....	4-75
4.18.3	CHECKING ENGINE MOUNTING BRACKET FOR TIGHTENING CONDITION.....	4-76
4.18.4	CHECKING BATTERY VOLTAGE.....	4-77
4.19	2000 HOUR INSPECTION & MAINTENANCE PROCEDURES .....	4-78
4.19.1	REPLACING COOLANT .....	4-78
4.19.2	REPLACING OIL IN SWING REDUCTION UNIT .....	4-81
4.19.3	REPLACING OIL IN TRAVEL REDUCTION UNITS .....	4-82
4.19.4	CLEANING SUCTION STRAINER.....	4-83
4.19.5	GREASING SWING REDUCTION UNIT .....	4-85
4.19.6	CHECKING GREASE IN SWING GREASE BATH .....	4-86
4.19.7	CLEANING PILOT LINE FILTER .....	4-87
4.20	5000 HOUR INSPECTION & MAINTENANCE PROCEDURES .....	4-88
4.20.1	REPLACING HYDRAULIC OIL.....	4-88
4.20.2	REPLACING DEF/ADBLUE SUPPLY MODULE FILTER .....	4-91
5.	TRANSPORTATION .....	
5.1	TRANSPORTATION.....	5-3
5.1.1	STRICTLY OBSERVE TRANSPORTATION RELATED REGULATIONS.....	5-3
5.2	LOADING/UNLOADING THE MACHINE.....	5-4
5.2.1	LOADING .....	5-5
5.2.2	FIXING THE MACHINE .....	5-7
5.2.3	UNLOADING .....	5-8
5.3	MACHINE LIFTING .....	5-9
5.3.1	LIFTING PROCEDURES.....	5-10
5.4	INSTALLING AND REMOVING MIRROR.....	5-11
5.5	TOWING THE MACHINE.....	5-12
5.5.1	TOWING METHOD OF THE MACHINE .....	5-12
6.	SPECIFICATION .....	
6.1	GENERAL SPECIFICATIONS.....	6-3
6.1.1	SK130LC-11 .....	6-3
6.1.2	SK130LC-11 (WITH DOZER).....	6-5
6.2	SHOE TYPES AND USES .....	6-6
6.2.1	SK130LC-11 .....	6-6
6.2.2	SK130LC-11 (WITH DOZER).....	6-7
6.3	WORKING RANGES.....	6-8
6.3.1	BACKHOE ATTACHMENT.....	6-8
6.4	ATTACHMENT TYPE AND COMBINATION .....	6-10
6.4.1	FRONT VARIATION .....	6-10
6.5	LIFTING CAPACITY .....	6-11
6.5.1	EXPLANATION OF FIGURE .....	6-11

## [CONTENTS]

6.5.2	SK130LC-11 .....	6-12
6.5.3	SK130LC-11 .....	6-13
6.5.4	SK130LC-11 .....	6-14
6.5.5	SK130LC-11 .....	6-15
6.5.6	SK130LC-11 .....	6-16
6.5.7	SK130LC-11 .....	6-17
7.	MACHINE OPERATION MANAGEMENT SYSTEM .....	
7.1	MACHINE OPERATION MANAGEMENT SYSTEM .....	7-3
7.2	REMOTE DOWNLOAD SYSTEM .....	7-4
7.3	DESCRIPTION OF BUILT-IN WIRELESS EQUIPMENT .....	7-6
8.	OPTIONAL EQUIPMENT .....	
8.1	OPERATION OF HYDRAULIC BREAKER AND NIBBLER (CRUSHER) .....	8-3
8.1.1	DO NOT USE FOR DEMOLITION OPERATION .....	8-3
8.1.2	SELECTION OF HYDRAULIC BREAKER AND NIBBLER (CRUSHER) .....	8-3
8.1.3	BEFORE OPERATING HYDRAULIC BREAKER .....	8-3
8.1.4	PRECAUTIONS FOR IMPURITY AND HYDRAULIC OIL .....	8-3
8.1.5	POTENTIAL HAZARDS WHEN OPERATING .....	8-3
8.1.6	PRECAUTIONS IN USE OF BREAKER .....	8-5
8.1.7	PRECAUTIONS IN USE OF NIBBLER (CRUSHER) .....	8-10
8.2	SELECTION OF ATTACHMENT MODE AND SELECTOR VALVE .....	8-15
8.2.1	SWITCHING ATTACHMENT MODE .....	8-15
8.2.2	SWITCHING SELECTOR VALVE .....	8-17
8.3	SWITCHING STOP VALVE .....	8-18
8.4	FLOW RATE ADJUSTMENT .....	8-19
8.5	CONTROL OF PROPORTIONAL HAND CONTROL .....	8-20
8.5.1	EXTRA / ROTARY HAND CONTROL .....	8-20
8.5.2	HORN SWITCH .....	8-21
8.5.3	NIBBLER (CRUSHER) OPERATION .....	8-21
8.5.4	BREAKER OPERATION .....	8-22
8.6	PERIODIC INSPECTION AND MAINTENANCE OF NIBBLER (CRUSHER) AND BREAKER .....	8-23
8.6.1	PERIODIC INSPECTION AND MAINTENANCE CHART OF NIBBLER (CRUSHER) AND BREAKER .....	8-23
8.7	PRECAUTIONS FROM BREAKER MANUFACTURERS .....	8-24
8.8	OBJECT HANDLING .....	8-25
8.8.1	SAFETY PRECAUTIONS .....	8-25
8.8.2	LIFTING WORK .....	8-26
8.8.3	RATED LIFT CAPACITY CHART .....	8-27
8.9	QUICK HITCH .....	8-28
8.9.1	QUICK HITCH OPERATION SWITCH .....	8-28
8.9.2	PROHIBITED WORKS .....	8-29
8.9.3	PRECAUTIONS FOR USE .....	8-30
8.9.4	REMOVING FRONT ATTACHMENT .....	8-31
8.9.5	INSTALLING FRONT ATTACHMENT .....	8-32
8.9.6	MANUAL SWITCHING OF PRESSURE REDUCING VALVE FOR QUICK HITCH .....	8-33

## 9. SPECIAL PROCEDURES

9.1 SPECIAL PROCEDURES AT ENGINE FAILURE .....	9-3
9.2 LOWERING ATTACHMENT TO GROUND.....	9-4
9.3 RELEASING TRAVEL MOTOR BRAKES .....	9-6
9.4 RELEASING SWING BRAKES.....	9-9
9.4.1 SWING BRAKE RELEASE PROCEDURE WITH HYDRAULIC HAND PUMP .....	9-9
9.4.2 RELEASING SWING BRAKE BY DISASSEMBLY .....	9-12

[CONTENTS]

# IMPORTANT INFORMATION



## PREFACE

- Read, understand and follow the safety messages and instructions in this manual and the safety messages on the machine. If these safety messages are not followed, serious injury or death could occur.
- Always be aware of your surroundings when operating this machine and understand the capabilities of this machine and the attachment/equipment.
- Always use caution to safely operate this machine.



### Use of this product and this manual

- Improper operation, maintenance or repair of this machine may cause serious injury, death or damage to the machine.
- If a license or other special qualification is required to operate a hydraulic excavator in the country where this machine will be operated, all operators of this machine must meet those requirements and have a valid (not expired) license or qualification.
- Do not operate this machine for the first time or perform any inspection, maintenance or repair on this machine, until you have carefully read and understand the operation, inspection, maintenance, and repair information in this manual.
  - Operation related activities include setting up, rectifying malfunctions and the disposal of materials.
  - Maintenance related activities include lubrication, maintenance, inspection and repair work.
  - Transportation related activities include loading and unloading the machine.
- For machines equipped with KOBELCO approved attachments, read the section related to the specialized attachments in this manual and any additional manuals for the specialized attachment. Use of the unapproved attachment/equipment voids KOBELCO's liability for the machine.
- If this manual is lost, damaged or unreadable, order a replacement from your KOBELCO authorized dealer.
- This manual is a part of this machine and should be transferred with the machine to new users or owners.
- Always use genuine KOBELCO parts. Do not use aftermarket or non-KOBELCO parts on your machine.
- Manufacturers cannot anticipate every possible scenario and potential hazard that may arise during operation, inspection and maintenance activities. Therefore, the warnings in this manual and on the product may not communicate all of the possible safety precautions for your situation. When performing any operation, inspection and maintenance activities that are not contained in this manual, proceed at your own risk and do not perform any unsafe acts. You should also ensure the machine will not be damaged or create an unsafe condition by your actions. Always follow the safety procedures in this manual and for your worksite. Never perform any task or operation prohibited by this manual.
- If a tool, procedure, work method or operating technique not specifically recommended by KOBELCO is used, you must evaluate that it is safe for yourself and others to proceed. You should also ensure the machine will not be damaged or create an unsafe condition by the operation, maintenance and/or repair procedures you choose. Never perform any task or operation prohibited by this manual.
- The information, specification, and illustrations in this manual are based on information available at the time it was written. KOBELCO may change the specifications, torques, pressures, measurements, adjustments, illustrations, and other content at anytime without any obligation to notify the users/owners of these changes. Your KOBELCO authorized dealer will have the most current information available.
- Should there be questions, errors, omissions or other issues that need to be communicated to the manufacturer, contact your KOBELCO authorized dealer.
- KOBELCO provides machines produced in accordance with regulations and standards of a country in which the machine is sold to the first owner. If you have a machine purchased in a foreign country or from a person or company in another country, your machine may lack safety devices or machine components or not meet a safety standard required in your country. Please contact your KOBELCO authorized dealer to ask whether your machine's specifications meet the regulations and the standards in your country.

## [IMPORTANT INFORMATION]

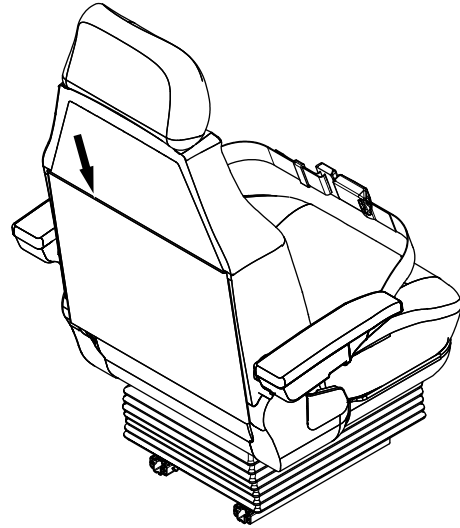
---

The copyright of this manual belongs to KOBELCO CONSTRUCTION MACHINERY CO., LTD. Copy, reproduction, distribution, and delivery (including these actions on the Internet) of all or part of this manual are prohibited without permission of KOBELCO CONSTRUCTION MACHINERY CO., LTD.

---

### STORE OPERATION & MAINTENANCE MANUALS ON THE MACHINE

Always store all manuals for this machine and any attachments, including this manual and the related manuals, in the pocket located at the rear side of the operator's seat. Check the manuals are in this location as a part of your pre-start inspection. If the manuals are not present during your pre-start inspection, inform your supervisor and order replacement manuals from your KOBELCO authorized dealer.





# SAFETY INFORMATION IN MESSAGES OR LABELS IN THIS MANUAL AND ON THE MACHINE

**Many accidents are the result of not following basic safety precautions and could have been avoided by recognizing potentially hazardous situations.**

Proper risk assessment can prevent many accidents from occurring. During operation, always pay attention to the potential hazards near the machine and at your worksite.

- Improper operation, inspection, maintenance and repair could cause serious injury, death or property damage. Before operating, inspecting and maintaining this machine, carefully read and understand this manual, the related manuals, and any attachment manuals that may be provided to you.
- Only allow trained and experienced personnel to operate, to inspect and to maintain this machine. These individuals must also comply with all applicable employment, industry, and governmental rules, standards, and regulations.

Many safety messages in this manual or on the labels on this machine contain signal words. Signal words are used to identify safety messages and property damage messages and designate a level of hazard seriousness. Many of these safety messages may also contain avoidance information.



**This safety alert symbol identifies important safety messages in this manual. When you see this symbol, be alert, your safety is involved, carefully read the message that follows, and inform other operators.**

The three signal words are DANGER, WARNING and CAUTION. Each alerts the viewer to the existence and relative seriousness of a hazard. They are reserved for personal injury hazards.

Safety signs identified by DANGER shall be used sparingly and only for those situations presenting the most serious hazards. Hazards identified by WARNING present a lesser degree of risk of injury or death than those identified by DANGER.



DANGER indicates a hazard with a high level of risk which, if not avoided, will result in death or serious injury.



WARNING indicates a hazard with a medium level of risk which, if not avoided, could result in death or serious injury.



CAUTION indicates a hazard with a low level of risk which, if not avoided, could result in minor or moderate injury.

Other than the above-mentioned signal words, the following words identify important information which must be kept for the protection of the machine and may be helpful for the operator.



Notice indicates information considered important, but not hazard related .  
(e.g., messages related to property damage)



Note indicates information that may be helpful for the operator.

## SAFETY LABELS

Safety labels are affixed to machine to alert the operator and surrounding personnel of hazardous situations during operation, inspection or maintenance.

There are two types of "safety labels" on this machine. One is "SAFETY LABEL INCLUDING SIGNAL WORDS" and the other is "PICTORIAL ONLY SAFETY LABELS".

## [IMPORTANT INFORMATION]

---

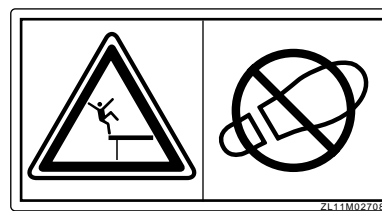
Example of the safety label including signal words



Example of a pictorial only safety label

The pictorial only safety label is used to alert the operator and surrounding personnel of potentially hazardous situations.

For pictorial only safety label, the hazard pictorial is in the upper or left box, and the avoidance information is in the lower or right box.



# SUMMARY OF THE MACHINE

## APPLICABLE WORKS

Use this machine in the following applications:

- Digging
- Trenching
- Loading
- Leveling
- Demolishing
- Breaker work

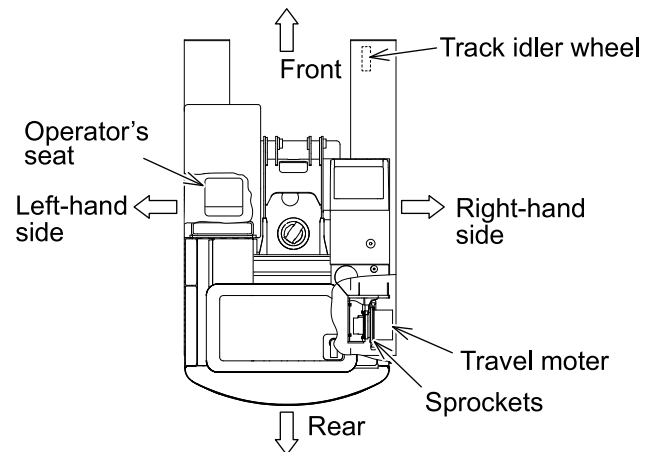
Never use the machine for any purpose other than the above applications.

If you use the attachment which KOBELCO did not supply, read, understand and follow the safety messages and instructions in the applicable manual described by the attachment manufacturer.

For details of work procedures, please refer to "MACHINE OPERATION" in Chapter 3 and "OPTIONAL EQUIPMENT" in Chapter 8.

## FRONT, REAR, RIGHT & LEFT OF THE MACHINE

This manual refers to the front, rear, right & left of this machine as seen when sitting in the operator's seat with the machine in the normal travel position. The normal travel position is when the idler wheels are positioned at the front under the cab and the drive sprockets are positioned at the rear.



## BREAK-IN OPERATION

Prior to shipment, this machine was inspected and adjusted by KOBELCO. Future performance and service life of this machine depends on how the machine is operated during the break-in period.

Hour Meter	Load Status
Less than 10 hours	About 60%
Less than 100 hours	About 80%
100 hours and more	Full load

### During the break-in period

- Always sufficiently warm-up the engine and the hydraulic oil.
- Do not operate with loads that exceed the recommended load status for each phase shown in the table or operate at high speeds.
- Do not perform a sudden start, sudden acceleration, or other sudden changes in engine speed.
- Avoid unnecessary sudden stops or sudden changes in driving direction.
- Do not operate the engine at high speed for extended periods of time.

## QUALIFICATION FOR OPERATING THE MACHINE

If a license or other special qualification is required to operate a hydraulic excavator in the country where this machine will be operated, all operators of this machine must meet those requirements and have a valid (not expired) license or qualification.

Instruct that only skilled trained operators may operate the machine. The operator shall:

- Receive training in the proper operation of this machine;
- Understand the capabilities and limitations of this machine;
- Become familiar with the construction of this machine;
- Confirm that the machine is properly maintained and is in good condition;

Read and properly understand the warnings, instructions, and operating procedures in this manual.

# FLUORINATED GREENHOUSE GASES

**REGULATION (EU) No 517/2014 OF THE EUROPEAN PARLIAMENT AND OF THE COUNCIL  
of 16 April 2014  
on fluorinated greenhouse gases and repealing Regulation (EC) No 842/2006**

Contains fluorinated greenhouse gases.

TYPE OF F GAS	HFC-134a
TOTAL F GAS MASS (kg)	0.8
TOTAL EQ(CO <sub>2</sub> ) (t)	1.2
GWP (Global warming potential)	1,430

## "EU" DECLARATION OF CONFORMITY

On the following pages, a facsimile copy of the "EU" Declaration of Conformity (EU DoC) is provided. The EU DoC is the manufacturer's declaration about equipment compliance to relevant EU provisions. The contents described in the following page may be changed, so please refer to the Declaration of Conformity supplied with each machine for the exact contents.

Please keep the original document in a safe place. Local authorities may require you to show this document in order to assure compliance of your equipment.

**IMPORTANT:** an original of this "EU" declaration is supplied with each machine and must be kept carefully by the owner.

**IMPORTANT:** the official documents supplied with the machine must be kept by the owner so as to be able to present them to any inspecting authority which may request them.

- Under point 1.2 those options or variants are listed which have safety related functions. Some of them are standard provided, like the falling objects protective structure and the roll-over protective structure (please refer to the next page for other detail).  
Others, like object handling kit required to lift loose objects, are available upon Customer request. Please address to your KOBELCO authorized dealer to know the availability of variants/optionals provided for your machine.
- Under point 2 all information required by EU "Outdoor Noise" Directive 2000/14/EC is given.  
Please refer to your own original EU DoC for specific machine information. Other information about equipment guaranteed sound power level (LWA) can be found on the paragraph of "NOISE LEVEL". On the same page, information about operator's station noise level (LpA) is given, which is not matter of above-mentioned EU Directive and therefore not indicated on it.
- Generic serial number for this machine type.  
The sequence of letters and numbers may vary depending on machine configuration.
- EU DoC serial number.  
Please make reference to this number when requiring information or support from KOBELCO about EU DoC.
- Signature of a person authorized to sign the document on behalf of the company.



## “EU” DECLARATION OF CONFORMITY

The undersigned declare that the machine described below has been designed and manufactured in compliance with the following European Directives, as amended, and the regulations transposing them into national laws:

### 1. 2006/42/EC “Safety of machine”

1.1 European Harmonised standards under which conformity is declared:

EN 474-1  
EN 474-5

1.2 Main safety components installed and supplied with the machine

1.2.1 Top guard

1.2.2.1 Holding valve (Object handling application)

1.2.2.2 Overload alarm device (Object handling application)

1.2.2.3 hook (Object handling application)

1.2.3 Roll Over Protective Structure (R.O.P.S.)

1.2.4 Front guard

1.2.5 Tip Over Protective Structures (T.O.P.S.)

1.2.6 Quick coupler

Yes	No
<input type="checkbox"/>	<input type="checkbox"/>
<input type="checkbox"/>	<input type="checkbox"/>
<input type="checkbox"/>	<input type="checkbox"/>
<input type="checkbox"/>	<input type="checkbox"/>
<input type="checkbox"/>	<input type="checkbox"/>
<input type="checkbox"/>	<input type="checkbox"/>
<input type="checkbox"/>	<input type="checkbox"/>
<input type="checkbox"/>	<input type="checkbox"/>

1.3 Name and address of the representative authorised to compile the technical file:

Kobelco Construction Machinery Europe B.V.  
Veluwezoom 15, 1327 AE Almere The Netherlands

### 2. 2000/14/EC & 2005/88/EC “Noise emission”

2.1 Conformity assessment procedure followed:

2000/14/EC, Annex VI

2.2 Name and address of the Notified Body involved:

TÜV SÜD Industrie Service GmbH  
Westendstrasse 199, D-80686 München, Germany

2.3 Measured sound power level LWA (ref. 1 pW):

XX dB(A)

2.4 Guaranteed sound power level LWA (ref. 1 pW):

YY dB(A)

2.5 Engine power (as defined by ISO 14396):

ZZ kW

2.6 Holder of the technical documentation:

Kobelco Construction Machinery Co., Ltd.

### 3. 2014/30/EU “Electromagnetic Compatibility (EMC)”

3.1 European Harmonised standards under which conformity is declared:

EN 13309

### 4. Other applicable Directive/s:

###

### 5. Manufacturer:

Kobelco Construction Machinery Co., Ltd.

### 6. Category:

Hydraulic excavator

### 7. Type:

SK\*\*\*-\*

### 8. Serial number:

XXXXXXXXXX

### Authorized Signature of Declarant:

Kobelco Construction Machinery  
2-1, Itsukaichiko 2-chome, Saeki-ku  
Hiroshima 731-5161 Japan



XXXXXXXXXX

Hiroshima, Japan Date

Signature  
(Name and Function)

---

## VIBRATION TO THE OPERATOR

The level of vibrations transmitted to the operator depends mainly upon the conditions of the ground on which operations take place, the mode of operation of the machine and its equipment.

Thus, the exposure to vibrations can be considerably reduced when the following recommendations are complied with:

- Use equipment compatible with the machine and the type of work to be done;
- Adjust and lock the seat in the correct position; also inspect regularly the suspensions of the seat, performing the adjustments and repairs as required;
- Perform regularly the current maintenance operations of the machine at the prescribed intervals;
- Operate the equipment in a uniform manner, preventing, as far as possible, sharp movements or excessive loads;
- When travelling, avoid, as far as possible, particularly rough terrain or the impact against possible obstacles.

This machine is equipped with an operator's seat complying with the requisites of standard ISO 7096:2008. This ensures that the exposure of the operator's body to vibrations comply with the protection requisites for the protection against vibrations when the machine operates as required by the operational scopes, in accordance with the prescriptions of this manual.

The operator's seat has been tested in accordance with EM6 input spectral class and has a seat transmissibility factor < 0.7.

- The weighted average quadratic acceleration value to which the operator's arms are subjected does not exceed 2.5 m/s<sup>2</sup>.
- The weighted average quadratic acceleration value to which the operator's body is subjected does not exceed 0.5 m/s<sup>2</sup>.

These results were obtained using an acceleration gauge while digging ditches.

### Note

The Whole-Body exposure value is determined under particular operating and terrain conditions and therefore may not be representative for all the possible operating conditions within the intended use of the machine. Consequently this single Whole-Body vibration emission value is not intended to determine the Whole-Body vibration exposure as required by European Directive 2002/44/EC. For this purpose it is recommended to conduct working conditions measurement. If this is not feasible use of information provided in the table below from ISO/TR 25398:2006 (\*).

Working conditions	Basic emissions value			Standard deviation		
	1.4*a <sub>w,eqx</sub> [m/s <sup>2</sup> ]	1.4*a <sub>w,eqy</sub> [m/s <sup>2</sup> ]	a <sub>w,eqz</sub> [m/s <sup>2</sup> ]	1.4*s <sub>x</sub> [m/s <sup>2</sup> ]	1.4*s <sub>y</sub> [m/s <sup>2</sup> ]	s <sub>z</sub> [m/s <sup>2</sup> ]
Excavation	0.44	0.27	0.30	0.24	0.16	0.17
Hydraulic hammer	0.53	0.31	0.55	0.30	0.18	0.28
Mine	0.65	0.42	0.61	0.21	0.15	0.32
Travel	0.48	0.32	0.79	0.19	0.20	0.23

(\*) ISO/TR 25398:2006 Mechanical vibrations - Guidelines for assessment of exposure to whole-body vibration of ride-on machine - Use of harmonized data measured by international institutes, organizations and manufacturers.



# NOISE LEVEL

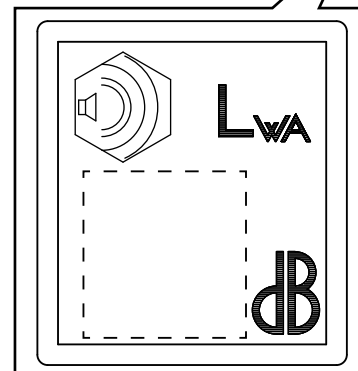
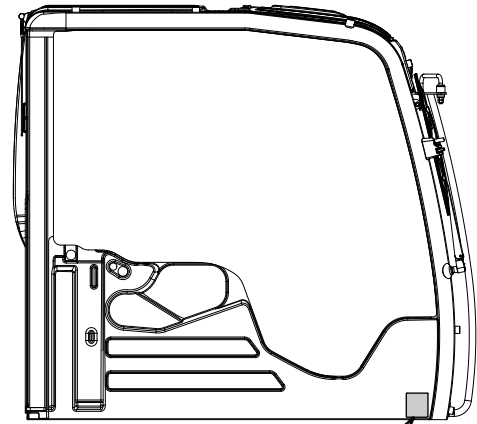
## Sound power level

Guaranteed sound level power, determined in accordance with EC Directive 2000/14/EC.

## Level of sound pressure at operator's compartment

### LpA = 70dB (A) or less

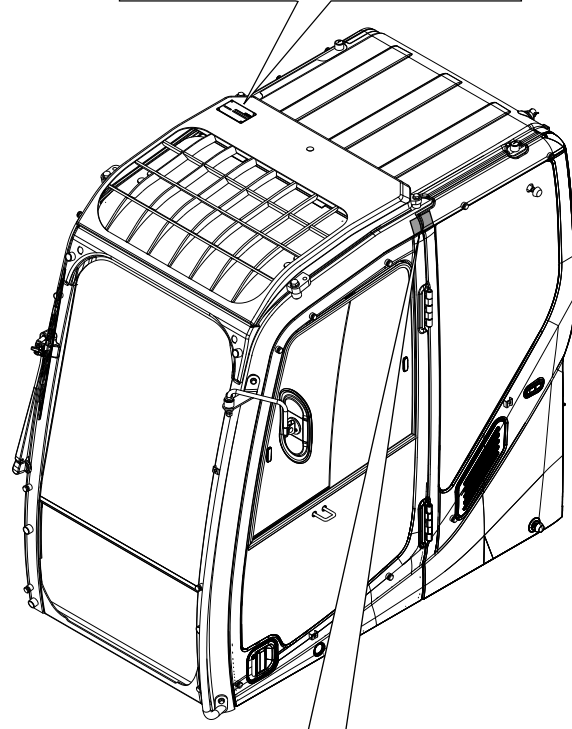
Cab with door and windows closed and the heating / conditioning fan in operation at mid-range speed, measured on identical machine, in accordance with Standard ISO 6396:2008.



# CAB WITH ROPS (ROLL-OVER PROTECTIVE STRUCTURE)/ FALLING OBJECTS PROTECTIVE STRUCTURE

- The machine cab is equipped with ROPS (roll-over protective structure) and top guard. The ROPS and top guard, fitting supports, and fastening elements on the machine are integral parts of the structure.
- When the machine is used at the work site where falling objects may hit the cab, always have the top guard installed and inspect them on a periodic basis to ensure the top guard have not been damaged. The impact from objects striking the top of the cab could result in a potential crush hazard and result in serious injury or death.
- Any damage to the protective structures or the cab caused by collision, corrosion or fire are required to be inspected carefully by appropriate personnel. All damaged parts must be replaced with genuine KOBELCO parts to ensure the protective structures will be restored to their original specifications. Before making any changes to the cab, replacing the whole structure, or replacing the ROPS or top guard, contact your KOBELCO authorized dealer.
- To prevent serious injury or death, do not attempt to weld, to drill, to straighten or to repair the protective structures. Never attach any devices to lift the cab on the protective structure. Any type of modification may affect the structural integrity of the protective system and result in a complete loss of protective capability. Consult your KOBELCO authorized dealer to determine this structure's limitations without voiding its certification. Failures to contact your KOBELCO authorized dealer may void your warranty.
- Pay attention to the operating mass. If the operating mass exceeds MAX. MASS (maximum operating mass) described on ROPS CERTIFICATION with the special attachment or others installed, it will cause insufficient function, resulting in serious injury or death, should the machine tips/rolls over.

OPERATOR PROTECTIVE GUARDS CERTIFICATION	
This structure is tested and meets the requirements of TOP GUARD:LEVEL(1), ISO 10262:1996.	
PRODUCT IDENTIFICATION NUMBER	MACHINE MODEL
SERIAL No.	
<b>WARNING</b> -The modification and rework causing the deterioration of the strength are not allowed. -Don't use the parts other than the specified parts.	
PRODUCED BY KOBELCO CONSTRUCTION MACHINERY CO., LTD. TOKYO, JAPAN.	
YY20T01398P2	



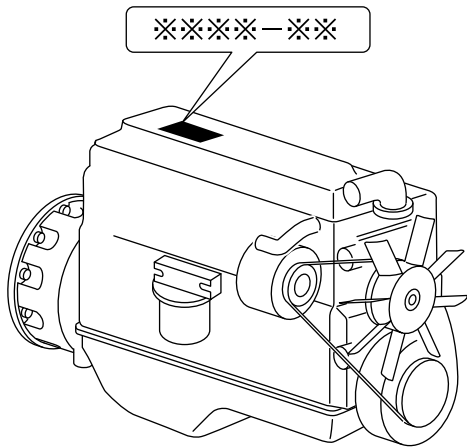
ROPS CERTIFICATION	
This structure is tested and meets the ROPS requirements of ISO 12117-2:2008.	
OPERATOR PROTECTIVE GUARDS CERTIFICATION	
This structure is tested and meets the requirements of TOP GUARD:LEVEL(1), ISO 10262:1996.	
PRODUCT IDENTIFICATION NUMBER	MACHINE MODEL
SERIAL No.	MAX. MASS
<b>WARNING</b> -The modification and rework causing the deterioration of the strength are not allowed. -Don't use the parts other than the specified parts. -When the skylight is open the cab doesn't comply with TOP GUARD Level (1).	
PRODUCED BY KOBELCO CONSTRUCTION MACHINERY CO., LTD. TOKYO, JAPAN.	
YY20T01398P2	

# ORDERING PARTS AND SERVICE

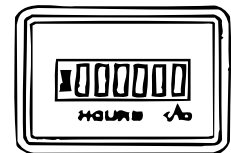
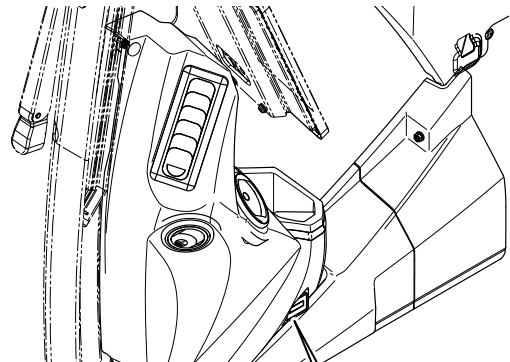
When ordering parts and service, have the machine serial number, the engine serial number and the current hours of operation available for your KOBELCO authorized dealer.

The machine serial number and the engine serial number are stamped in the locations shown below. For future reference, confirm and record these numbers in the spaces below.

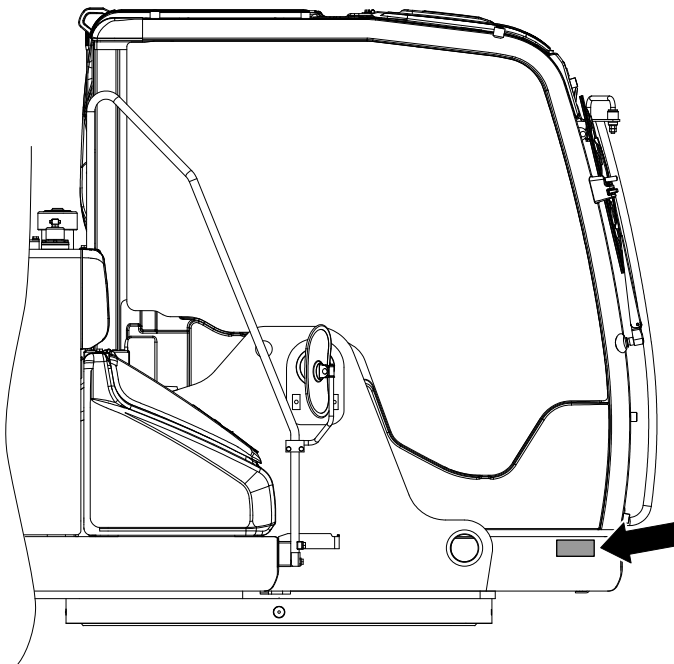
MACHINE TYPE	MACHINE SERIAL No.	ENGINE SERIAL No.	HOUR METER



ENGINE SERIAL No.  
("※"means engine serial number)



HOUR METER



MACHINE SERIAL No.

## WARRANTY

This machine is warranted as per the standard warranty. In case of any failures are proved to be KOBELCO's responsibility, KOBELCO will repair or replace any parts or components for free of charge to the extent specified in the standard warranty. KOBELCO shall not be liable for any improper operation, maintenance, modification, and alteration etc., other than described in this manual.

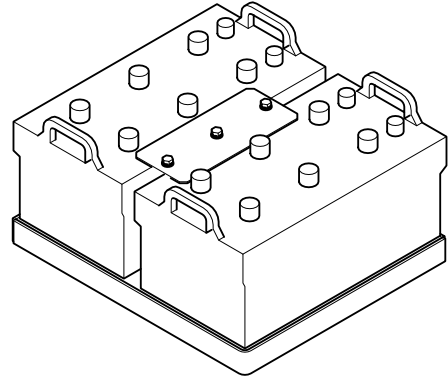
## IMPORTANT NOTIFICATION

To show additional detail of parts and components or show motion of this machine, some illustrations may show the machine with safety related equipment, including guards, doors, covers and shields, either removed or not in place. To prevent serious injury, death, or property damage, all of the safety related equipment must be properly installed and secured, before starting this machine.

In addition, some illustrations may show features or functions that differ from your machine. If you have any questions, contact your KOBELCO authorized dealer.

### Example

This illustration shows the machine with the battery cover removed.





# 1. SAFETY INSTRUCTIONS





## 1.1 SAFETY LABELS & DECALS



### READ THE OPERATOR'S MANUAL

Read, understand and follow the safety messages and instructions in this manual. If these safety messages are not followed, serious injury or death could occur.

### SAFETY MESSAGES

Several labels for specific safety messages are attached to this machine. The exact location and description of the hazards are reviewed in this section.

Please read and understand all safety messages in this manual and on the machine.

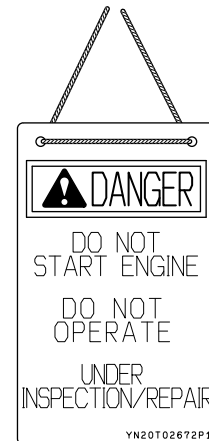
#### 1.1.1 ALWAYS MAKE SURE ALL OF THE SAFETY LABELS ARE LEGIBLE AND NOT DAMAGED

- Clean the safety labels or replace the safety labels if you can not read the words or see the illustrations. To clean the safety labels, only use a cloth, water and soap. Do not use any solvent, gasoline or other harsh chemicals to clean the safety labels. Solvents, gasoline or harsh chemicals could loosen the adhesive that secures the safety labels and allow the label to fall off the machine.
- Always replace any safety label that is damaged or missing. If a safety label is attached to a part that is replaced, you will need to install a safety label on the replacement part. Your KOBELCO authorized dealer can provide new safety labels.
- Never remove any safety labels attached to this machine. For all other labels on the machine, clean and replace as needed in accordance with the instructions above.

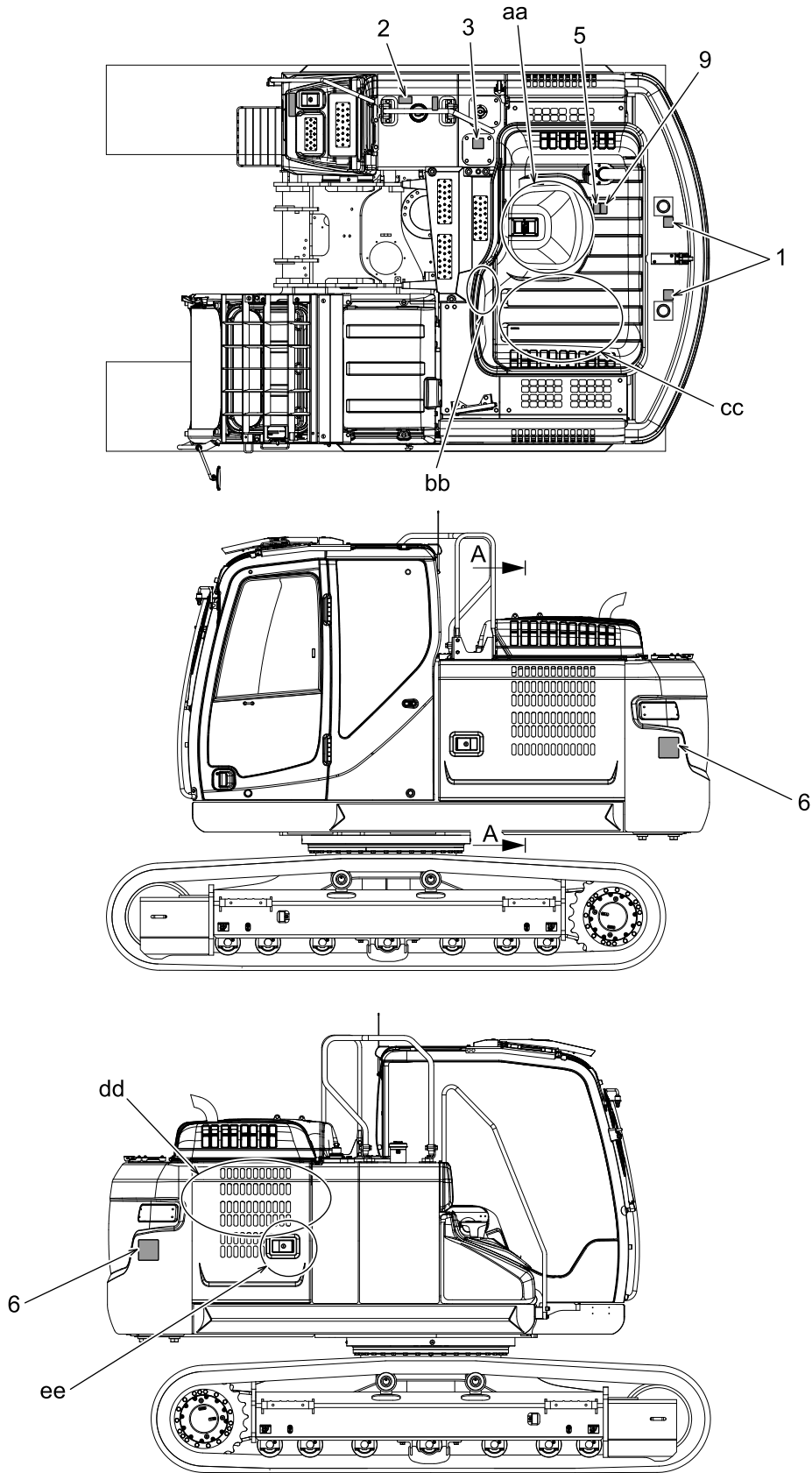
#### 1.1.2 "DO NOT OPERATE" TAG

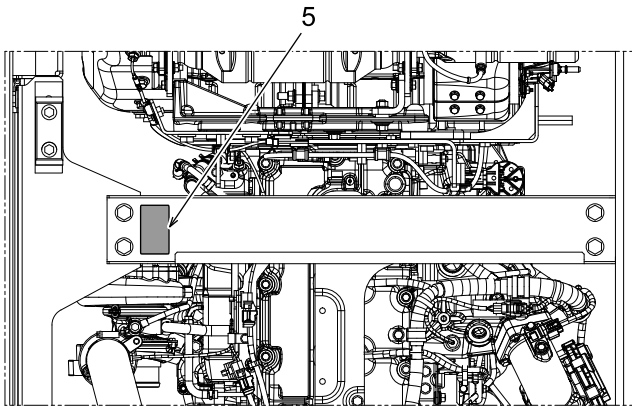
Part Number: YN20T02672P1

Use a temporary hang tag to communicate that the machine is out of service. You may need to use more than one temporary hang tag depending on the inspection and maintenance activities to be performed.

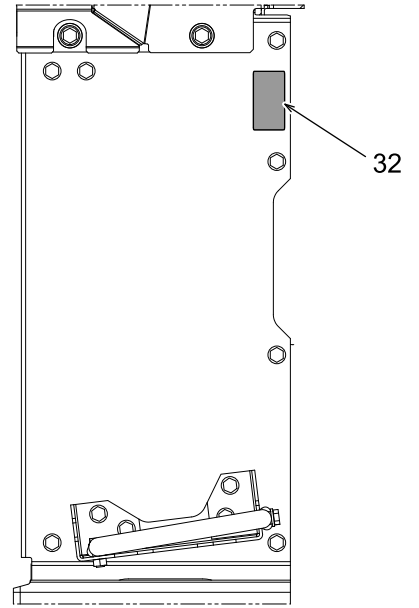


### 1.1.3 LOCATION OF SAFETY LABELS & DECALS

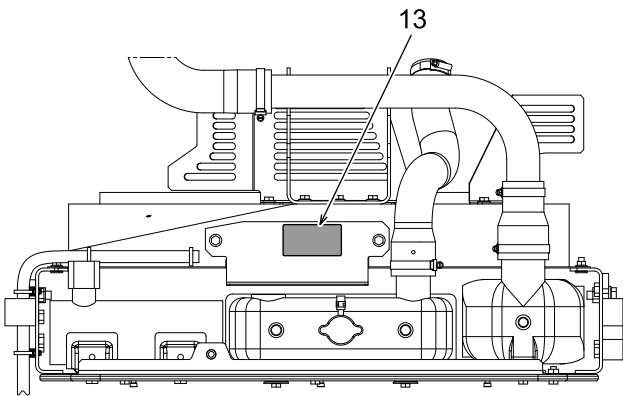




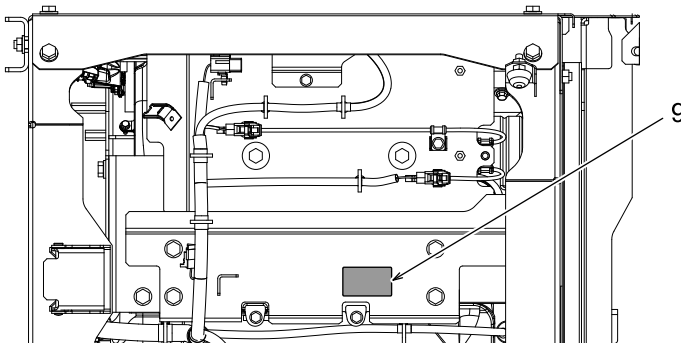
DETAIL aa  
SHOW INSIDE PANEL



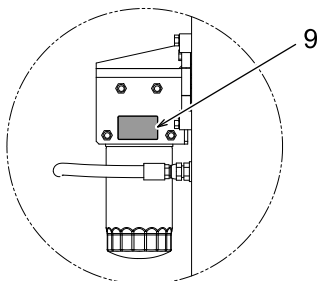
DETAIL bb  
SHOW INSIDE OF PANEL



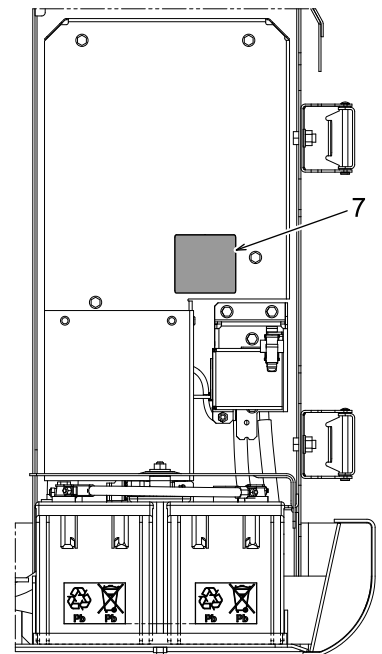
DETAIL cc  
SHOW INSIDE PANEL



DETAIL dd  
SHOW INSIDE OF PANEL



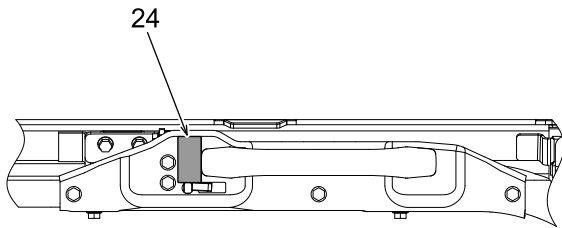
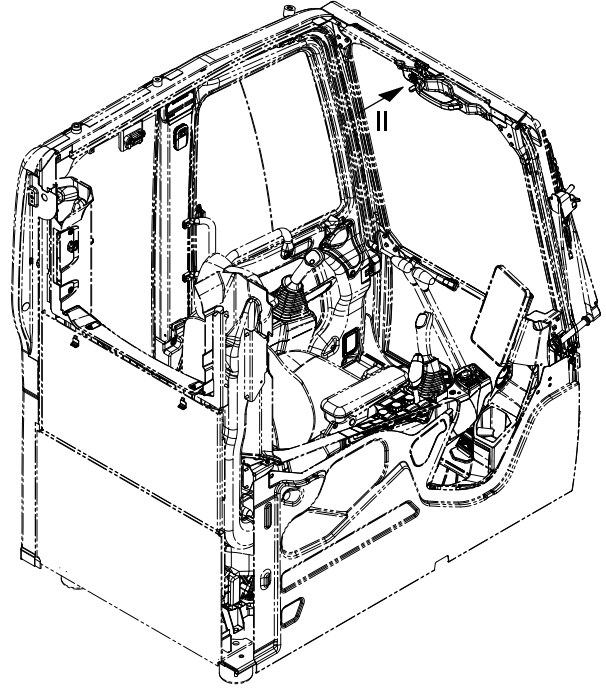
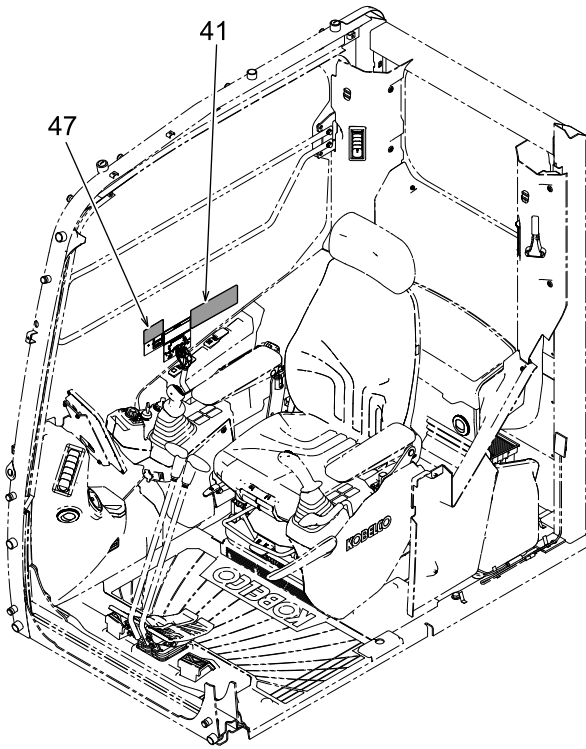
DETAIL ee  
SHOW INSIDE OF PANEL



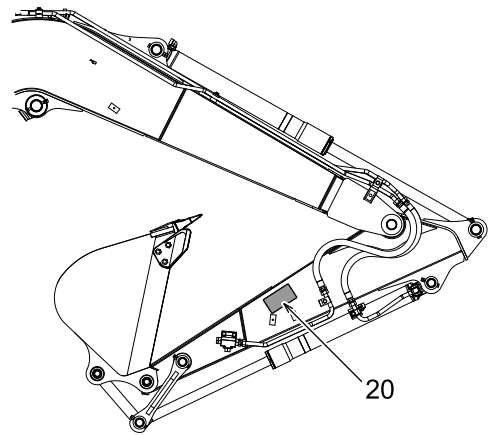
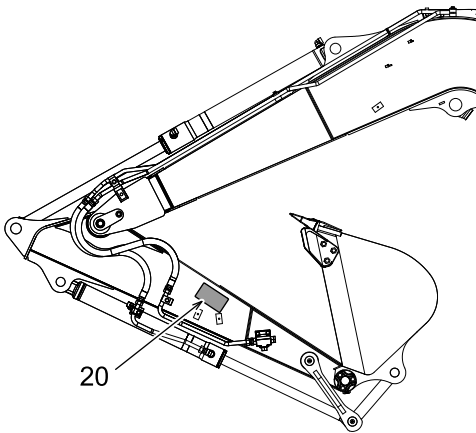
SECTION AA

1

[1. SAFETY INSTRUCTIONS]



VIEW II



## 1.1.4 SAFETY LABELS

### DO NOT USE COUNTERWEIGHT LIFTING EYES

Location:1

Part Number:YN20T02741P1



### WORKING ABOVE GROUND

Location:2

Part Number:ZL31N02604

There is a danger of falling when working on areas above ground.

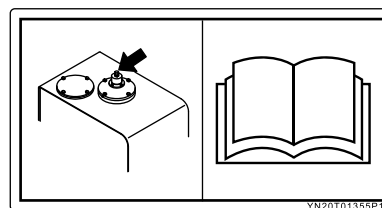
- Do not approach edges.
- Use the appropriate equipment, such as ladders or platform when working above ground. In addition, strap yourself to the proper equipment accordingly.
- Avoid spillage of any oil or grease.
- Clean all slippery substances such as grease, oil, hydraulic oil, mud, ice, and others attached to the steps, handrails, crawlers, ladders, and platforms.
- Do not leave any tools around the working area.
- Use extreme caution to avoid slipping while walking.
- Do not jump on or from the machine. Use the steps and handrails and securely maintain a three point contact while mounting or dismounting at all times.



### PRESSURIZED HOT OIL

Location:3

Part Number:YN20T01355P1



# [1. SAFETY INSTRUCTIONS]

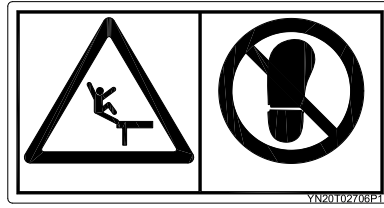
## WORKING ABOVE GROUND

Location:5

Part Number:YN20T02706P1

There is a danger of falling when working on areas above ground.

- Do not approach edges.
- Use the appropriate equipment, such as ladders or platform when working above ground. In addition, strap yourself to the proper equipment accordingly.
- Avoid spillage of any oil or grease.
- Clean all slippery substances such as grease, oil, hydraulic oil, mud, ice, and others attached to the steps, handrails, crawlers, ladders, and platforms.
- Do not leave any tools around the working area.
- Use extreme caution to avoid slipping while walking.
- Do not jump on or from the machine. Use the steps and handrails and securely maintain a three point contact while mounting or dismounting at all times.



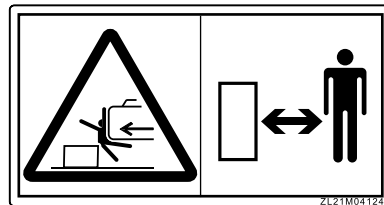
## SWING

Location:6

Part Number:ZL21M04124

Do not enter in the swing area.

Stay away from the machine during operation to prevent you from contacting with or being crushed between machine components.

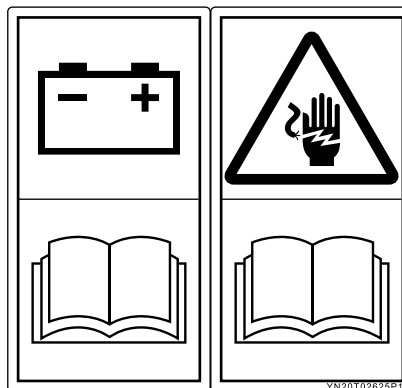


## HANDLING BATTERY

Location:7

Part Number:YN20T02625P1

Read this manual to handle the battery properly.



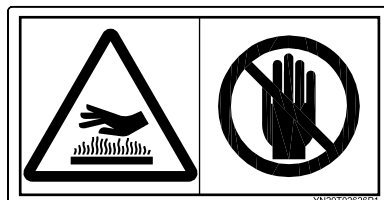
## HOT PARTS

Location:9

Part Number:YN20T02626P1

Do not touch the engine until it cools down.

Because it could be high temperature and cause burns.



## HOT COOLANT

Location:13

Part Number:ZL21N00404

Never loosen or open the radiator cap when coolant is hot. Stream of hot coolant will spout and could cause burns.

Before opening the radiator cap:

- Cool down the engine completely.
- Cover the radiator with cloth rag.
- Loosen the cap slowly to relieve pressure.



## KEEP CLEAR WORKING AREA

Location:20

Part Number:ZL31N07508

Make sure the area is clear of obstacles and persons before beginning the operation of the machine.

Always look around before you start the swing operation.

Make sure everyone is cleared in your worksite. Sound horn before beginning swing operation.

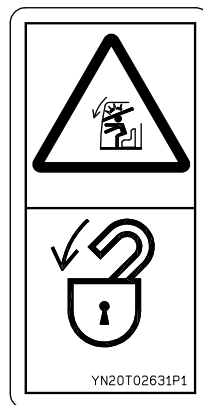


## LOCK THE FRONT WINDOW AT THE OPENING POSITION

Location:24

Part Number:YN20T02631P1

Lock the front window at the opening position securely, or it may slip down and may personal injury.

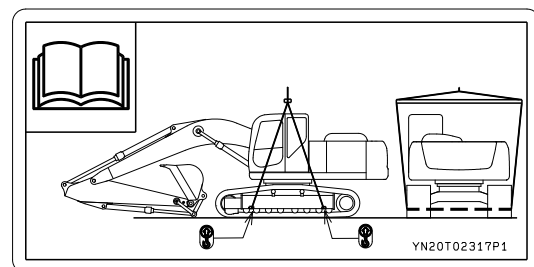


## MACHINE LIFTING

Location:25

Part Number:YN20T02317P1

- Lift up the machine in the position as shown in right figure.
- The lifting up position shown in the figure is for the standard machine. For details, refer to the lifting procedure.



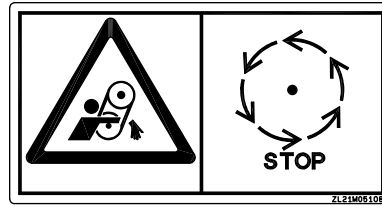
## [1. SAFETY INSTRUCTIONS]

### ENGINE ROTATING PARTS WARNING

Location:32

Part Number:ZL21M05108

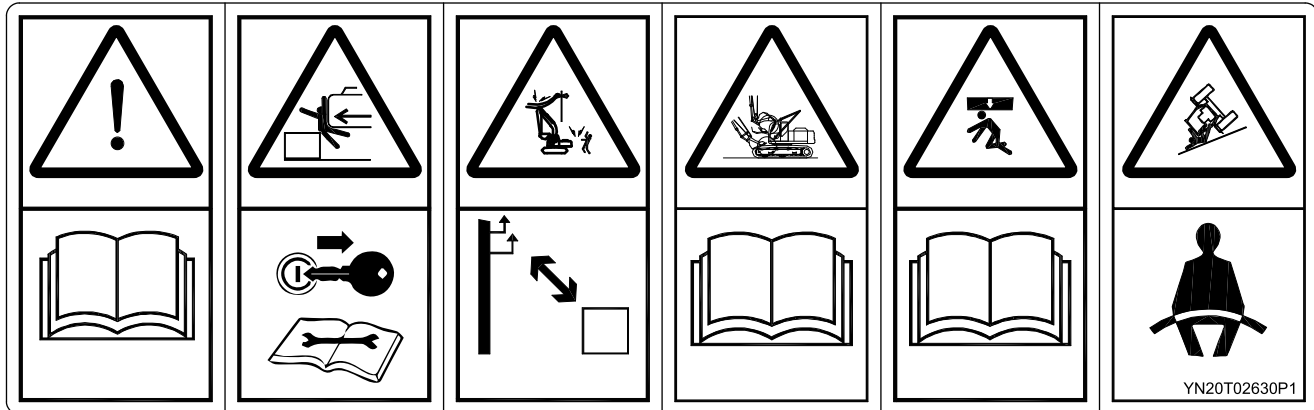
Keep away from the fan and belt when the engine is running. Rotating parts can cause personal injury. Stop the engine before servicing.



### SAFETY PRECAUTIONS

Location:41

Part Number:YN20T02630P1



- **READ THIS MANUAL**

Read and understand this manual before operating, maintaining, disassembling, assembling or transporting this machine.

If the instructions and procedures in this manual are ignored or not followed, it may result in severe personal injury or death.

- **HANDLING OF CONTROL LOCK LEVER**

Before leaving the cab, park the machine on the level and firm ground and lower the attachment/equipment to the ground, make sure to pull up the control lock lever to the "LOCKED" position and then stop the engine.

- **ELECTRICAL POWER LINES**

Keep the machine and attachment/equipment at a safe distance from electrical power lines. Contact with electrical power lines can cause electric shock.

- **ATTACHMENT/EQUIPMENT INTERFERENCE WITH CAB**

Check clearance between the attachment and the cab before starting operation because a certain kinds of attachment/equipment and a certain combination of the option and the machine may cause interference between the attachment/equipment and the cab or some other parts of the machine.

Be sure to check the clearance between the attachment/equipment and the cab whenever the attachment/equipment or the combination is changed.

- **PRECAUTIONS WHEN TIPPING OVER**

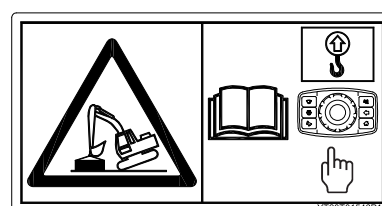
When the machine tips over, the operator can be thrown out of the cab and crushed under the machine. Be sure to fasten the seat belt during operation.

### PRECAUTIONS OF LIFTING WORK

Location:47

Part Number:YT20T01546P1

Perform lifting works by following this manual. (See "OBJECT HANDLING" in Chapter 8)





## 1.2 PRE-START SAFETY



### READ THE OPERATOR'S MANUAL

Read, understand and follow the safety messages and instructions in this manual. If these safety messages are not followed, serious injury or death could occur.

### 1.2.1 OPERATION RULES

#### ALWAYS OBSERVE BASIC SAFETY RULES AND PRECAUTIONS

All operators are required to receive training before operating this machine.

If a license or other special qualification is required to operate a hydraulic excavator in the country where this machine will be operated, all operators of this machine must meet those requirements and have a valid (not expired) license or qualification.

- Follow all safety precautions and procedures described in this manual while operating, inspecting and maintaining this machine.
- Never operate this machine if you are under the influence of drugs (including those which may make you drowsy) or alcohol. If you are not alert, do not operate the machine.
- To prevent accidents, confirm all working procedures before starting work. If a signal person is needed, Always agree on the hand signals and designate a signal person before starting work.  
All personnel must know and understand all the signals. The operator shall respond to signals only from the appointed signal person, but shall obey a stop signal from anyone at any time. The signal person must stand in a clearly visible location when giving the signals.

#### ENSURE WORKSITE SAFETY

Understand your task and the potential hazards:

- Before operation, conduct a risk assessment with the site manager and confirm that all necessary safety precautions have been taken for the task. Always ask the site manager if there are any additional safety precautions or regulations for the task.

Know your working area:

- Visually survey the area around the working site before operating the machine.  
Look for mud or other soft ground that could cause the machine to become stuck or unstable when operating the machine. The ground near cliffs, trenches and road shoulders may be too soft to operate the machine. Be aware that rain, blasting activities, earthquakes, or other events may cause the ground be soft. Use signs to identify soft shoulders and soft ground. If needed, use a signal person.
- Choose operating locations where landslide will not occur or where falling rocks or building debris will not land on the machine.
- Set up barricades to prevent unauthorized personnel and/or machines from entering the working site.
- If working near a road, use a signal person and signs to alert vehicles and pedestrians of potential hazards and falling objects.

#### KEEP AWAY OTHER PEOPLE FROM THE MACHINE AND ATTACHMENT / EQUIPMENT DURING OPERATION

To prevent serious injury or death:

- Never allow anyone to stand on the machine, including the attachment /equipment and the upper structure, when operating.
- Never allow anyone to stand or to ride on a suspended load or the attachment/equipment.

# [1. SAFETY INSTRUCTIONS]

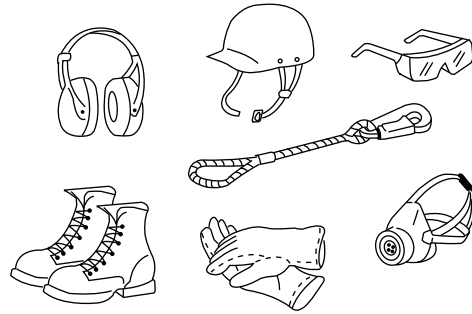
---

## 1.2.2 PROTECTION TOOLS

### PERSONAL PROTECTIVE EQUIPMENT

Wear fitted clothing and protective gears.

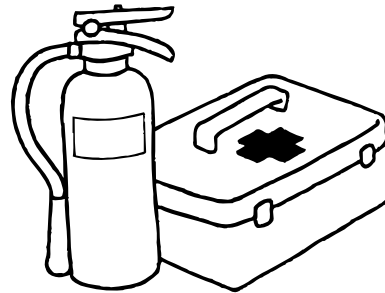
- Wear clothing not exposing your skin a lot.
- Always change any clothing that has become contaminated with oil, fuel or other flammable substances.
- Do not wear loose fitting clothing, jewelry or any accessory and restrain long hair that can get caught in moving parts or that can catch on controls and result in unintended movement of the machine or the attachment /equipment.
- Always wear the proper personal protective equipment for the task you will be performing. This may include a hard hat, safety shoes, safety glasses, face shield, respirator, and/or a reflective vest. Consult with your supervisor to confirm you have the proper personal protective equipment for the task.
- Use ear protection when operating in noisy areas. Prolonged exposure to loud noises can cause hearing damage and even total hearing loss.
- Inspect all personal protective equipment for damage prior to use. If any personal protective equipment is damaged, or past its expiration date, do not use the equipment and contact your supervisor to obtain a replacement before operating machine.
- Other personnel working in the vicinity of the machine, including the signal person, should also wear the proper personal protective equipment appropriate for the worksite and for the task. This may include a hard hat, safety shoes, safety glasses, face shield, respirator, gloves, ear protection, and/or a reflective vest. Consult with your supervisor to confirm that personnel working in the vicinity of the machine have the proper personal protective equipment for the worksite and the task.



### PREPARE FOR EMERGENCY

In case of emergency, know where the fire extinguishers and the first aid kit are located.

- Know how to use a fire extinguisher.
- Inspect and maintain the fire extinguishers in compliance with your local/national regulations.
- Determine what emergency communication devices are necessary for your location and have a list of important telephone numbers available.
- Periodically inspect the first aid kit. Replenish items and replace expired items as necessary.



## 1.2.3 ABNORMAL AND EMERGENCY CONDITION

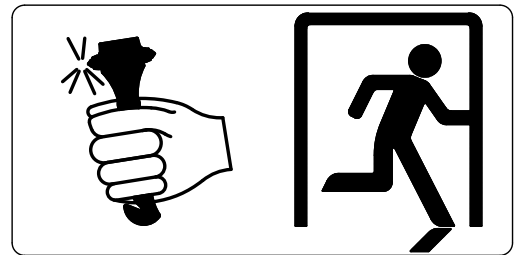
### WHEN A FAILURE IS FOUND

When operating, inspecting or maintaining the machine, if there is an unusual noise, vibration, smell, instrument malfunction, smoke, oil leak, a warning light illuminates or a warning is on the multi-display, do not continue to operate the machine.

- Always park on a firm, level location, lower the attachment to the ground, stop the engine, pull the control lock lever to the locked position, and remove the key.
- Contact your supervisor.
- Contact your KOBELCO authorized dealer for repair.

### EMERGENCY ESCAPE FROM THE CAB

If the normal operator's exit is blocked in an emergency, stop the engine, use the life hammer to break a window, and exit the cab. See "EMERGENCY ESCAPE FROM OPERATOR'S STATION" in Chapter 2.



### IN THE EVENT OF A FIRE OR OTHER EMERGENCY

- Stop the engine.
- Use hand rails and steps to dismount machine. Do not jump from machine.

### IN THE EVENT OF A THUNDERSTORM

- Lower the attachment to the ground and if possible anchor the digging tool into the soil.
- Leave the cab and move away from the machine before the storm break out. Otherwise, you must stop the excavator, turn off the radio and keep inside the closed cab until the end of the storm.

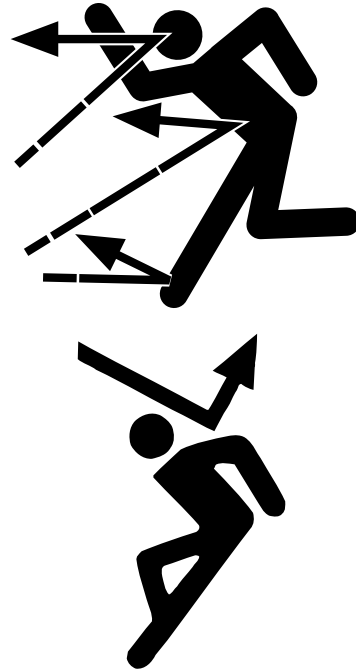
## 1.2.4 POTENTIAL HAZARDS WHEN OPERATING

### PAY ATTENTION TO FALLING MATERIALS AND FLYING DEBRIS

Be sure to install the top guard and the front guard (option) when performing demolition works or works in the working sites (including mining and quarry sites) in which falling materials and/or flying debris can be generated .

- If working with the hydraulic breaker or other attachments, be sure to install front guard.
- When performing work that may result in falling material and flying debris, keep people a safe distance away from the work area.
- Always close the front window and doors before operating.

As for installing the front guard (option), contact your KOBELCO authorized dealer.



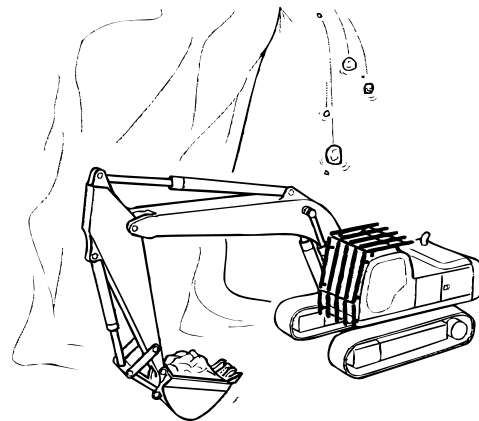
### CHECK PROTECTIVE RELATED GUARDS AND EQUIPMENT

- Check all protective related guards, covers, windows and mirrors are not damaged and secure prior to operation. If any damage or other issue is found, do not use the machine until the protective related parts and equipment has been replaced. Never attempt to repair protective related parts and equipment.
- Understand how the protective systems and the protective related equipment protects you as the operator and others around the machine.
- Never remove protective related parts and equipment from the machine.

### LIMITED PROTECTION FROM OBJECTS FALLING ON THE CAB

When operating near areas where landslides may occur or where rocks or other debris may fall, be aware that the cab and the guards installed provide limited protection for the operator and may not prevent serious injury or death.

- The top guard is designed according to ISO10262 and should not allow loads up to 227 kg (500 lbs.) dropped from a height of 5.22 m (17 ft.) to penetrate the cab. During building demolition or other activities, the load, the distance of the drop, or both could produce forces that exceed the limits of the top guard and cause serious injury or death.
- Never weld, drill or modify the top guard or other protective structures. Any modification could weaken the structural integrity of these protective structures, resulting in serious injury or death in case of collision, falling objects or landslides.
- Do not install any cab lifting device to the top guard or other protective structures.
- If an accident occurs, do not try to straighten or repair the top guard or other protective structures. If required, contact your KOBELCO authorized dealer for functional verification or replacement of any of the protective structures.

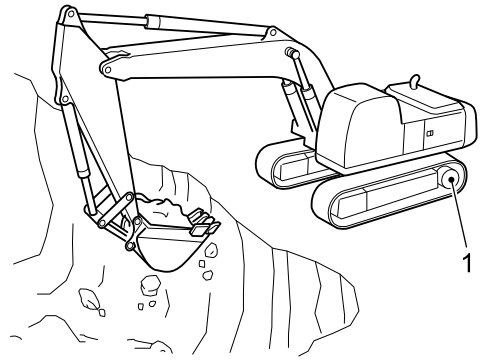


**GROUND CONDITIONS**

Always place tracks perpendicular (at a 90 degree angle) to the edge of a cliff or the road shoulder with the travel motors(1) positioned away from the edge to prevent the machine from falling over the edge.

Visually inspect for soft ground near the edge, especially either any raised ground or any wet ground following a rain.

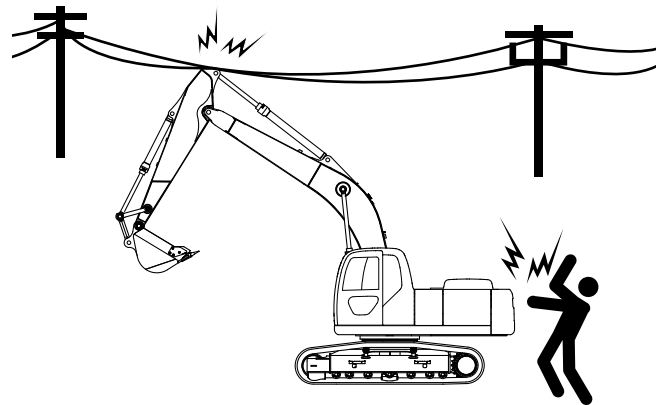
Do not dig close to the machine or undercut the bank in front of the machine to prevent the machine from falling over the edge.



**ELECTRICAL POWER LINES**

Keep a safe distance from electrical power. Never approach power lines with any part of the machine and its load unless all local and national required safety precautions have been taken. Electrocutation and death can result from arcing, touching or even being close to a machine that is in contact with or near an electrical source.

- Maintain the maximum possible distance from power lines and never violate the minimum clearance.
- Always contact the nearest electric utility and determine jointly what specific precautions must be taken to insure safety.
- Consider all lines to be power lines and treat all power lines as energized even though it is known or believed that the power is shut off and the line is visibly grounded.
- Use a signal person to observe the approach of any part of the machine or load to the power line.
- Caution all ground personnel to stand clear of the machine and the load at all times.
- If the machine should come in contact with a live electrical source, do not leave the operator's seat. Do not allow anyone to approach or touch the machine.



The reference of the safe distances from high voltage cables are as follows.

LINE VOLTAGE(V)	MINIMUM DISTANCE m(feet)
0 to 50,000	3.0(10) or more
50,000 to 200,000	4.5(15) or more
200,000 to 350,000	6.0(20) or more
350,000 to 500,000	7.5(25) or more
500,000 to 750,000	10.5(35) or more
750,000 to 1,000,000	13.5(45) or more

**USE WORK LIGHTS**

- When operating in dark locations, turn on the work light. If necessary, use additional lighting devices to make the work areas bright enough to operate.
- Stop work if you have poor or limited visibility because of darkness, fog, rain, especially lightning, snow, or other causes.

## [1. SAFETY INSTRUCTIONS]

---

### OPERATING ON SOFT GROUND

When working on soft or wet ground, place logs or lumber horizontally beneath the crawler tracks to prevent the machine from becoming stuck.

Be aware frozen ground may become soft or wet as the ambient temperature rises during the day and could cause the machine to become unstable or stuck.

### VISUALLY INSPECT GROUND CONDITIONS BEFORE OPERATING

The ground near cliffs, trenches and road shoulders may be too soft to operate the machine. Visually inspect for soft ground before travelling or working in these areas. Be aware that rain, blasting activities, earthquakes, or other events may cause the ground to be soft.

To prevent serious injury, death, and property damage, only travel or work on firm ground near sudden elevation changes, including cliffs, trenches and road shoulders. The weight of the machine or vibration from the machine may cause the ground to collapse and cause the machine to tip or roll over.

## 1.2.5 FIRE PREVENTION

### FIRE CAUSED BY FLAMMABLE SUBSTANCES

Fuel, oil, electrolyte, windshield washer fluid and other chemicals are flammable.

To prevent serious injury or death from possible fire:

- Remove flammables such as leaves, wooden debris, paper waste, etc. from the areas of exhaust manifold, muffler, battery, and undercover, etc.
- Do not smoke or bring other ignition sources near areas where flammables are stored and/or handled.
- Refuel only after stopping the engine.
- Do not leave the machine when refueling or when refilling with oil.
- Try not to spill fuel on heated surfaces or on electrical parts. Clean any spills immediately.
- After refueling or refilling with oil, securely tighten the fuel and the oil caps and clean up any spills immediately.
- Store fuel and oil in designated areas and restrict access to only authorized personnel.
- Remove all flammable materials in the area before performing grinding or welding work.
- Do not weld or perform gas cutting on pipes and tubes which contain combustible liquids.
- Only use nonflammable oils to wash parts. Do not use flammable oils, such as diesel fuel or gasoline, to wash parts.



### FIRE CAUSED BY THE ELECTRIC SYSTEM

Short-circuits in the electrical system may cause fire.

- Check all wiring harness connections are clean and secure.
- Inspect wiring harnesses, connectors, and clamps periodically. Repair, replace, or tighten connectors and clamps if any damage or loose connections are found.

### FIRE CAUSED BY LEAK

Check all clamps, guards, protective cushions for the hoses and the tubes are secure.

During operation, machine vibration may cause loose hoses or loose tubes to be damaged from contact with other parts and leak high pressure oil or other fluids and result in a fire and serious injury or death.

If any issue is found, immediately tighten, repair or replace it.

Do not operate machine with damaged or bent hoses or tubes.

### USE ANTI-EXPLOSION WORK LIGHTS

Use only work lights with anti-explosion specification to prevent serious injury or death.

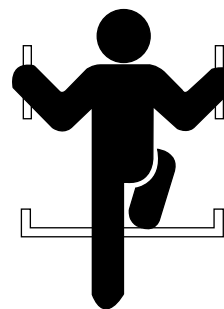
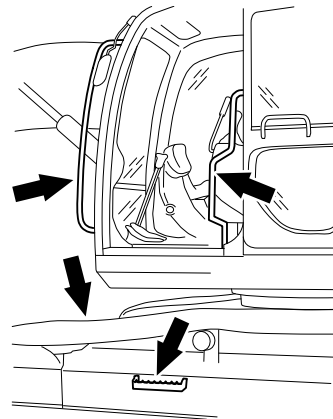
Lighting must meet the requirements for areas where explosive concentrations of vapors and dusts could exist to prevent a fire or explosion when performing inspection and maintenance activities.

## 1.2.6 GETTING ON AND OFF THE MACHINE

### PRECAUTIONS OF GETTING ON AND OFF THE MACHINE

To prevent serious injury or death:

- Clean all slippery substances such as grease, oil, mud, ice, and others attached to the steps and handrails.
- Inspect the steps and handrails for damage or loose parts. Replace any damaged parts and tighten any loose bolts or nuts.
- Always use the steps and handrails to get on and off the machine.
- Always face the machine and maintain three points of contact with the steps and handrails.
- Do not use the control lock lever and control levers as hand holds.
- Do not have anything in your hands, including tools, when getting on and on and off the machine.
- Never jump on and off the machine or attempt to get on or off a moving machine.



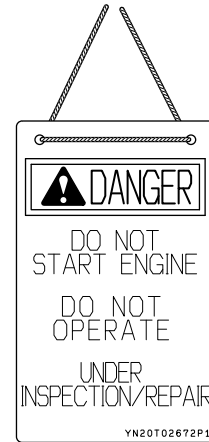


## 1.2.7 PRE-START UP INSPECTION ON THE MACHINE

Always perform a pre-startup inspection before operating this machine to check for any potential issues. For more information, refer to "EVERYDAY CHECK-UP" in Chapter 3 in this manual.

### ATTACH A "DO NOT OPERATE" TAG

To prevent serious injury or death, never allow unauthorized personnel to start the engine or touch the control levers during inspection and maintenance activities. Always lower the attachment, pull the control lock lever up, stop the engine, and remove the key before performing inspection and maintenance. Use a temporary hang tag to communicate that the machine is out of service. You may need to use more than one temporary hang tag depending on the inspection and maintenance activities to be performed.

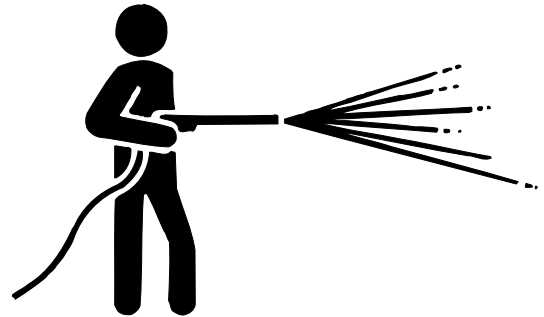


### ALWAYS KEEP THE MACHINE CLEAN

Always keep the machine clean and free of scattered debris, and spilled lubricant and oil.

If electrical components or systems get wet, then equipment malfunction, short circuit, or fire may result in serious injury or death.

Never use pressurized water or steam to clean inside the operator cab or any electrical components, such as sensors and connectors.



### KEEP INSIDE OF OPERATOR CAB CLEAN

- To prevent slippery pedals, always remove mud, grease, oil, and other substances from the soles of your shoes before entering the cab.
- Secure parts and tools inside the cab before operating.

To prevent fire:

- Do not bring explosive or flammable materials into the cab.
- Do not leave your cigarette lighter inside the cab.  
If the cab temperature becomes too hot, the lighter may explode.
- After smoking, always put out your cigarette.
- Do not leave plastic bottles inside the cab or attach suction cups to the windows.  
These items may act as lenses and could start a fire.

### SEAT BELT INSPECTION

Check if seatbelt is cut or frayed and check if mounting hardware is damaged or loose before fastening the seatbelt. If an issue is found with the seatbelt or the mounting hardware, do not use machine until the issue has been repaired.

Replace seatbelts every 3 (three) years or more frequently if damaged or frayed.

## 1.3 SECURE VISIBILITY

---



### READ THE OPERATOR'S MANUAL

Read, understand and follow the safety messages and instructions in this manual. If these safety messages are not followed, serious injury or death could occur.

---

### 1.3.1 BE AWARE OF YOUR SURROUNDINGS

When operating or traveling in the machine, the operator may not observe people and obstacles near the machine. To prevent serious injury, death or damage to the machine.

- Adjust the mirrors for maximum visibility around the machine before operating. If needed, clean the mirrors.
- If the machine is equipped with the rearview camera and the side cameras, clean the lenses to display clear images from the rearview and side cameras to the monitor.
- There are blind spots in the mirror and camera views. Confirm for safety around the machine before operating the machine.
- Move the attachment /equipment as needed to improve visibility of the right side during machine travel.
- If needed, use a signal person. The operator should always be alert and follow the signals from the signal person. The operator shall respond to signals only from the appointed signal person, but shall obey a stop signal from anyone at any time.
- When operating in dark locations, turn on the work light. Additional lighting may be needed to illuminate the work area.
- Stop work if you have poor or limited visibility because of darkness, fog, rain, especially lightning, snow, or other causes.
- Never attach mirrors or other articles to the handrails. Over time, excessive vibration may weaken the handrail and cause it to fail.
- If a failure occurs on the rearview camera or the side camera, contact your KOBELCO authorized dealer for repair.
- Do not operate the machine without the monitor pictures of the rearview camera and the side camera being displayed.
- Do not remove or disassemble the rearview camera and the side camera systems.  
The camera systems are installed on the base machine according to ISO 16001:2017. When removal or disassembly of them is required, contact your KOBELCO authorized dealer otherwise it may void the machine warranty.

### MIRROR AND CAMERA LOCATION

Only use genuine KOBELCO mirrors, rearview camera system, and side camera system.

Regarding adjustment of the mirrors and the rearview camera, see "ADJUSTMENT OF MIRRORS" in Chapter 3.

## 1.4 PRECAUTIONS FOR OPERATION



### READ THE OPERATOR'S MANUAL

Read, understand and follow the safety messages and instructions in this manual. If these safety messages are not followed, serious injury or death could occur.

### 1.4.1 STARTING

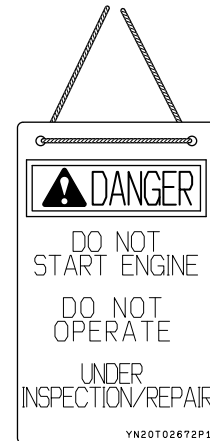
#### CHECK A "DO NOT OPERATE" TAG

Before starting the engine, check display of warning tags.

If warning tags are displayed, do not start the engine.

The warning tags are used to notify that the machine is in an inoperable condition.

Report this situation to a supervisor of the machine and do not start the engine until the warning tags are removed.



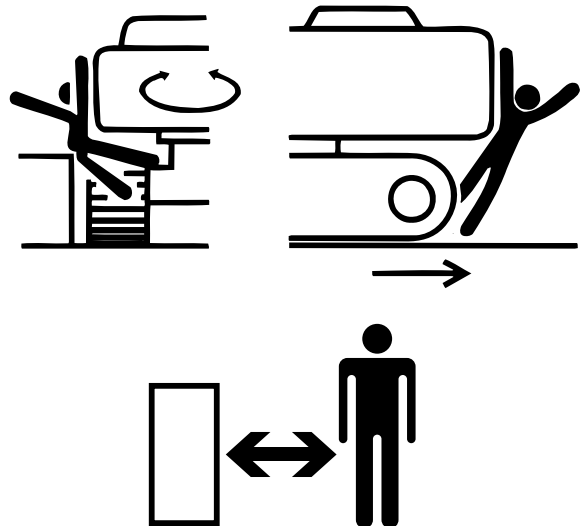
#### ONLY THE OPERATOR IS ALLOWED IN THE CAB

The operator is the only person that should be on or near the machine and in the cab. Do not allow any other personnel to be present in the cab or on the machine.

#### CHECK WORKING SITE AND SET UP BARRICADES

To prevent serious injury, death and property damage, before you start the engine and before you move the machine:

- Check that no one is on, under, and around the machine. Make sure that all personnel are clear of the machine and surrounding area.
- Check there are no other machines or obstacles in the area surrounding the machine.
- Set up barricades to prevent unauthorized personnel and / or machines from entering the working site.



#### PRE-OPERATION SAFETY CHECK

To prevent serious injury or death, before operating:

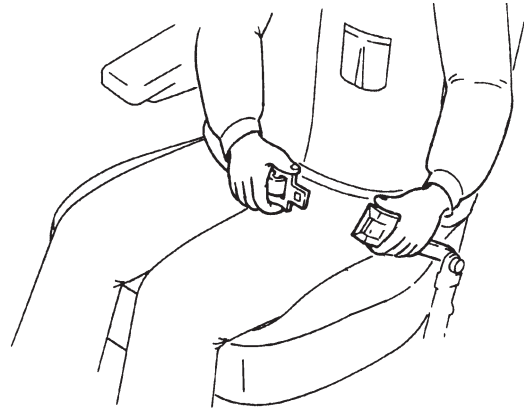
- Close and lock the doors and windows.
- Close and lock the access panels and doors.
- Adjust mirrors for maximum visibility around the machine. See "ADJUSTMENT OF MIRRORS" in Chapter 3 for additional information.

## [1. SAFETY INSTRUCTIONS]

---

### FASTEN YOUR SEATBELT

To prevent serious injury or death, always fasten your seatbelt before starting the machine and keep your seatbelt fastened during operation. Sit in operator's seat and adjust seat so you can properly operate all of the machine controls.

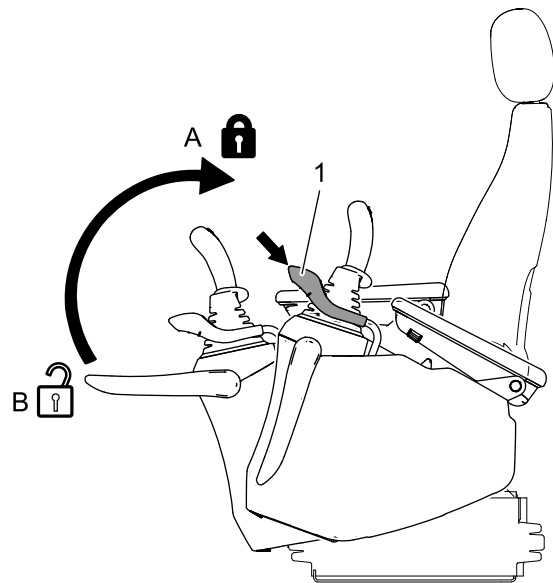


### BEFORE STARTING ENGINE

- Check the pilot control lock lever is in the "LOCKED" (up) position. If not locked, incidental contact with the control levers, pedals and other control devices may result in unexpected and unintended machine movement.
- Confirm that all control levers and pedals have returned to neutral.
- Sound horn to alert personnel near the machine.
- Always be seated in the operator's seat with your seatbelt fastened.

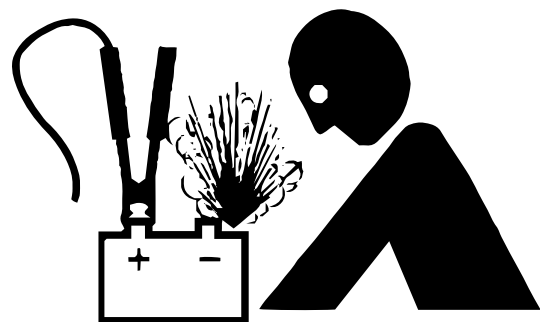
A: Locked Position

B: Unlocked Position



Only start the engine from the operator's seat. Never attempt to start the engine by connecting the starter terminals to the batteries.

Unexpected machine movement could result in serious injury, death, or damage to the machine and electrical system.



### WARM UP

To prevent serious injury or death, always allow the machine to warm up prior to operation, especially in cold weather. Do not start operation as soon as the engine is started. If not warmed up, there could be a delay between when the control levers are moved and when the machine or the attachment /equipment responds, resulting in unintended or unexpected movement of the machine or attachment /equipment.

### ATTACHMENT MODE SELECT SWITCH

Check the attachment installed matches the selected attachment mode and is appropriate for the task to be performed. If the attachment mode selected does not match the attachment, the machine will not work properly and it will result in serious injury, death, or property damage.

See "SWITCHING ATTACHMENT MODE" in Chapter 3 for additional information.

### CHECK CONTROL PATTERN BEFORE OPERATING

Before operation, always check the operation of each control lever and each pedal.

If the movement of the machine does not match selected control pattern which is shown on the card, stop the work and shut down the machine. The machine movement must match with the operating pattern.

If the machine movement does not match the card displayed in the cab, change the card so as to match the machine control pattern.

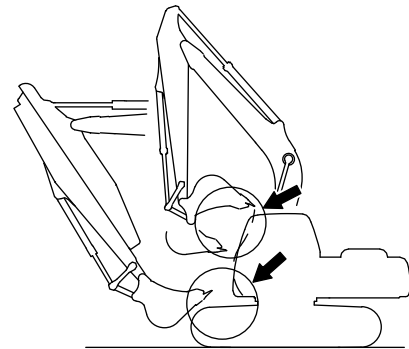
If any issue is found, do not operate machine until the issue had been corrected. If needed, contact your KOBELCO authorized dealer.

### CHECK WARNING DEVICES

Make sure that the horn, the travel alarm, the swing flashers and all other warning devices are warning properly.

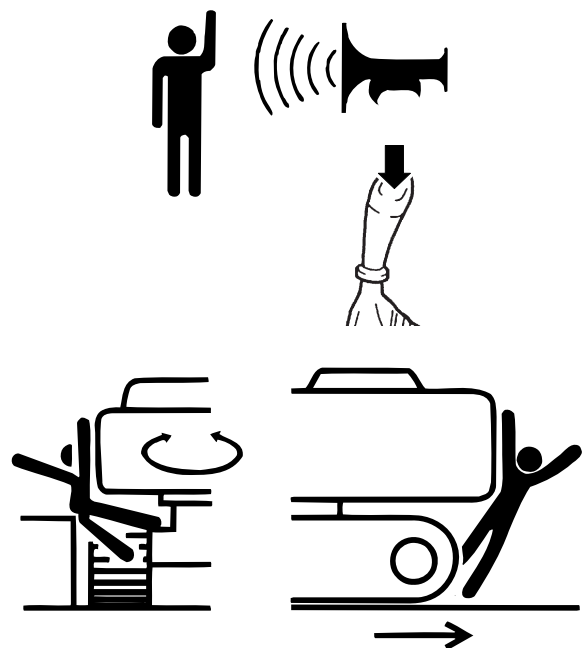
### AVOID INTERFERENCE BETWEEN THE ATTACHMENT AND THE MACHINE

Check clearance between the attachment and the cab before starting operation because a certain kinds of attachment and a certain combination of the option and the machine may cause the contact of the attachment and the cab or some other parts of the machine.



### PRECAUTIONS OF SWINGING / TRAVELING

- Always sound the horn before starting the engine, traveling the machine, or swinging the upper structure to alert people in the vicinity of the machine.
- Always operate at a safe distance from other machines or obstacles in the vicinity of the machine.
- Place a signal person at poor visibility area.



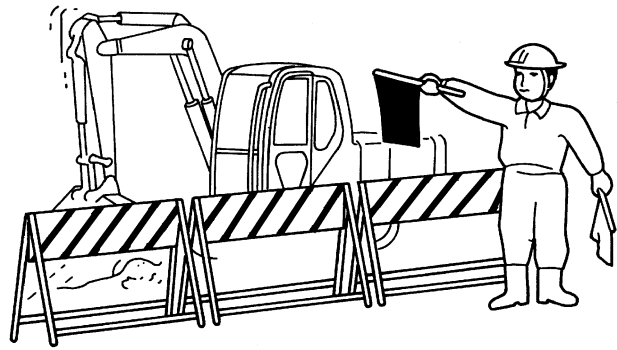
1

## [1. SAFETY INSTRUCTIONS]

---

### WORKSITES IN URBAN AREAS

Set up barricades to prevent unauthorized personnel and/or vehicles from entering the worksite. If working near a road, use a signal person and signs to alert vehicles and pedestrians of potential hazards and falling objects. If needed, use a signal person to direct traffic. The operator should always be alert and follow the signals from the signal person. The operator shall respond to signals only from the appointed signal person, but shall obey a stop signal from anyone at any time.

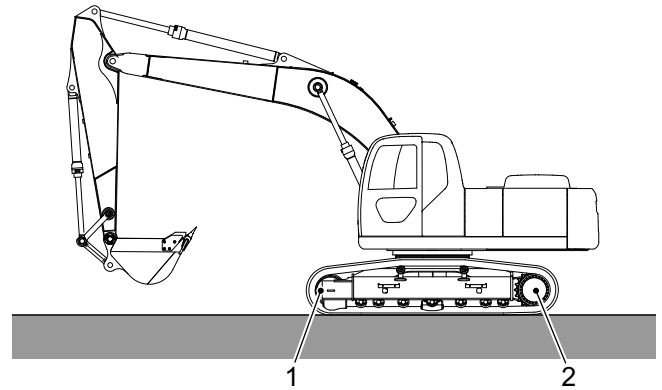


## 1.4.2 TRAVELING

### ALWAYS CONFIRM DIRECTION OF TRAVEL

Before moving the machine, check the position of the undercarriage (tracks). The normal travel position is for the idler wheels(1) to the front under the cab and the drive sprockets(2) to the rear.

When the undercarriage (tracks) is reversed, the directional controls operate in the opposite directions compared to when the idler wheels(1) are in the front. Move the travel levers slowly and travel at a low speed.



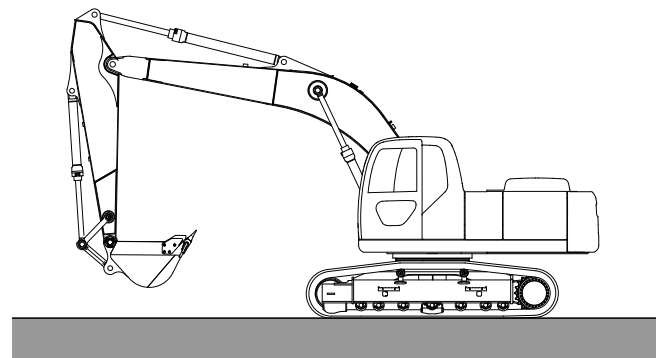
### MOVE TRAVEL LEVERS IN A SLOW AND DELIBERATE MANNER

- Gradually increase speed. Moving the travel levers quickly will cause the machine to accelerate quickly and result in a sudden start or sudden acceleration.
- Do not move the travel levers from forward to reverse or vice versa rapidly.
- Do not perform an abrupt pivot turn or spin turn.
- Do not stop quickly by releasing your grip on the levers during travel.

### PRECAUTIONS IN TRAVELING

Travel on a level and firm ground as much as possible.

- Move the attachment /equipment as needed to improve visibility of the right side during machine travel.
- Travel slowly on a rough terrain.
- Do not go over obstacles. When going over obstacles inevitably, go slowly with the attachment positioned close to the ground as much as possible. Because the machine may tip/roll over.

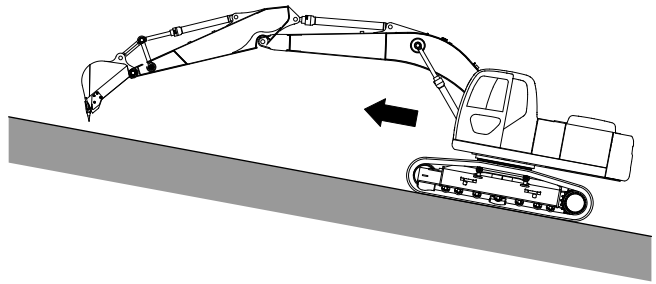


## [1. SAFETY INSTRUCTIONS]

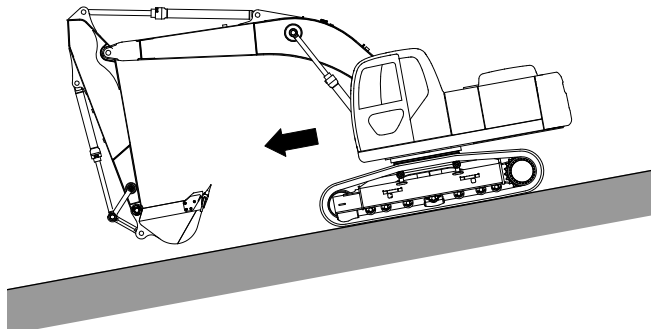
### TRAVELING ON SLOPES

Traveling up and down the slopes of 30 degrees or more is not allowed to avoid a risk of tipping/rolling over.

- Travel at a low speed when traveling up and down the slopes,
- When traveling up the slopes, extend the front attachment to the forward to avoid tipping/rolling over to the rearward.
- When traveling down the slopes, set the bucket in the position where it can reach the ground immediately to stop the machine.
- Travel carefully on grasses, fallen leaves, ice, and steel plates because the machine can slip easily.



**Traveling up slope**



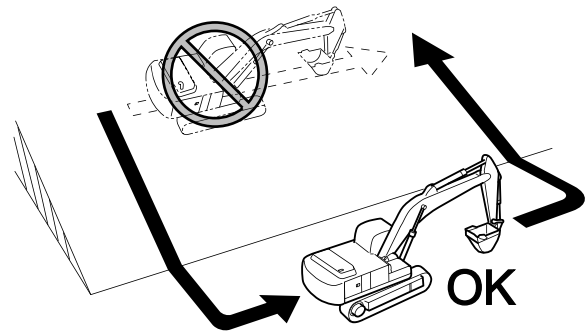
**Traveling down slope**

### PRECAUTION OF TRAVELING ON SLOPES

The machine could tip or roll over, slide, or skid when travelling across slopes.

Be sure to travel off the slope, travel along flat area, then travel onto the slope at the desired location.

Never travel across the slopes.



### TRAVELING ON FROZEN OR SNOW COVERED GROUND

Use extreme care when operating on frozen or snow covered ground.

- The ground may be extremely slippery and the machine can slide or skid.
- Do not perform abrupt start, stop, or movements or the machine could become unstable and tip or roll over.
- Snow can make elevation changes (e.g., road shoulders or steep banks) hard to perceive.
- Snow can cover obstacles or obstructions and make them difficult to recognize.
- During the day as ambient temperatures rise, frozen ground may thaw and become soft and cause the machine to become unstable or stuck.



### TRAVEL ON WET OR LOW TRACTION SURFACES

Use caution when travelling on an incline over wet surfaces, including wood, steel, and piles of wet leaves and branches. The machine could slide or skid and result in serious injury, death or property damage.

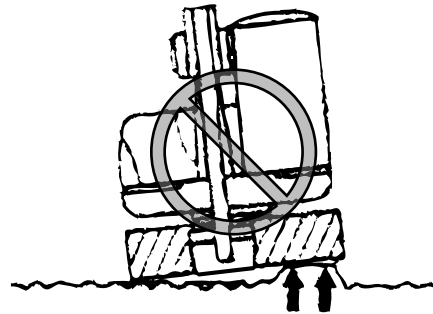
### DOZER COLLISION

Be careful not to strike the dozer against large rocks, etc. It may cause a premature damage of the dozer or the cylinder.



### OFFSET LOAD OF DOZER

If the machine is supported by the dozer, be sure to ground the dozer bottom evenly, avoiding an offset or concentrated load.



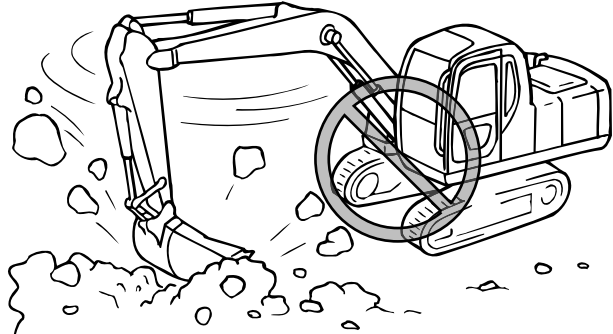
### 1.4.3 PROHIBITED OPERATIONS

Always follow the procedures in this manual when operating this machine. Abuse and misuse may result in serious injury, death, and property damage and reduce the life of the machine. Never attempt the following under any circumstances.

#### NEVER USE THE SWING POWER TO PERFORM WORK

Never apply swinging force (slewing force) to rock sliding work and side wall breaking work.

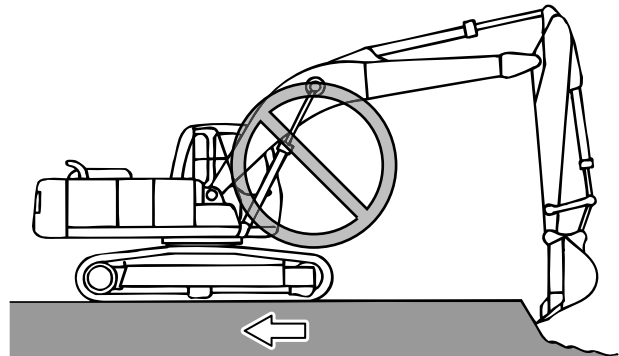
If the swing power is used to perform work, excessive force may be exerted on the machine and the attachment /equipment resulting in damage to the machine and the attachment /equipment and may reduce the life of the swing system.



#### NEVER USE THE TRAVEL POWER TO PERFORM WORK

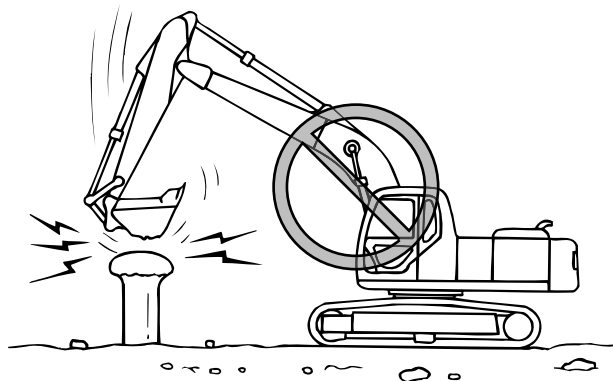
Do not use the travel power to perform digging or leveling work with the attachment in contact with the ground.

If the travel power is used to perform work, excessive force may be exerted on the machine and the attachment /equipment resulting in damage to the machine and the attachment /equipment.



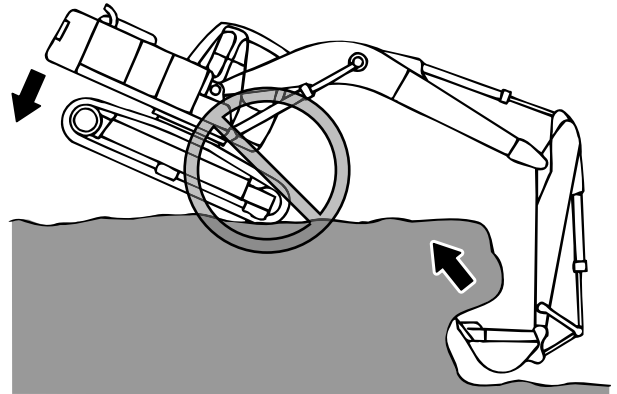
#### DO NOT PERFORM "HAMMERING" OPERATIONS WITH THE BUCKET

Never use the bucket for hammering and piling. It will cause severe damage to the machine and its components.



## DO NOT USE MACHINE WEIGHT FOR DIGGING OPERATION

Do not use the machine weight to obtain power to dig. This could cause severe damage to the machine and its components.  
Before digging the hard bedrock, crack the hard bedrock into pieces by another method and then dig it. It will not damage the machine and result in more economical way.



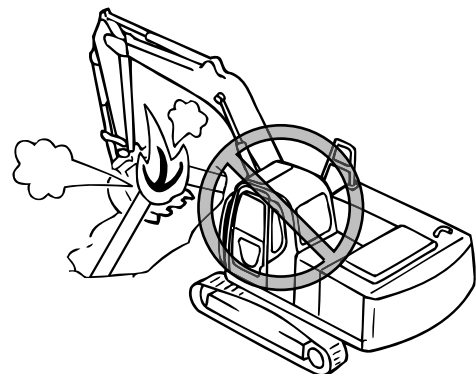
## OPERATING ON A SLOPE

Use extreme caution when operating machine on a slope. The machine may become unstable and could tip or roll over.

- Place the crawlers parallel to the slope.
- Always swing the upper structure slowly when rotating it toward the downhill side with a load. The extra weight from the load may make the machine unstable.
- Be aware the weight of the upper structure could cause it to rotate when the machine stops on a slope.
- When the machine stops on the slope, lower the attachment to the ground on the downhill side of the machine and wedge the bucket into the ground if equipped.

## CALL BEFORE YOU DIG

Confirm the local government or the public service company for locations of underground utilities of gas, water, phone, electrical power, and so forth before working in the area seemingly with these lines.  
Always inspect the worksite for evidence of unmarked utilities and piping and contact others if necessary.

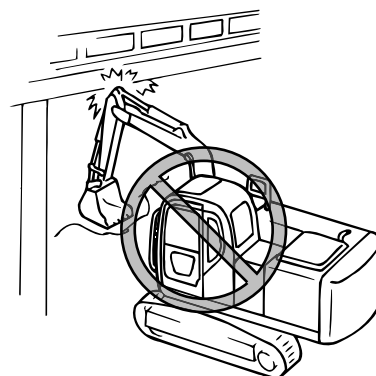


## LIMITED MOVEMENT IN WORK AREA

Use extreme caution when working in areas that constrain or limit the movements of the machine, including tunnels, bridges, around electrical power lines, or inside structures, to prevent the machine or the attachment /equipment from contacting these obstacles during operation.

To prevent serious injury, death or property damage, always use a signal person to assist the operator with maneuvering in these areas and keep the machine and the attachment /equipment a safe distance from these obstacles.

The operator should always be alert and follow the signals from the signal person. The operator shall respond to signals only from the appointed signal person, but shall obey a stop signal from anyone at any time.



## [1. SAFETY INSTRUCTIONS]

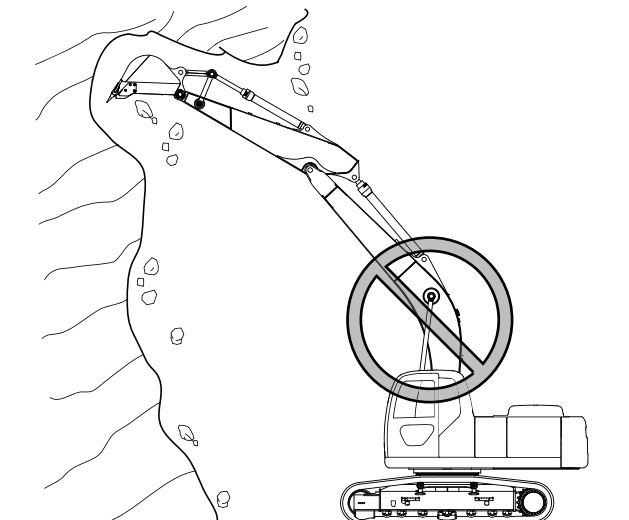
---

### OPERATING UNDER CLIFF OR OVERHANG

Never undercut or dig beneath a cliff or overhang. It can cause rocks and debris to fall.

Be aware that the cab guard installed provide limited protection for the operator and may not prevent serious injury or death.

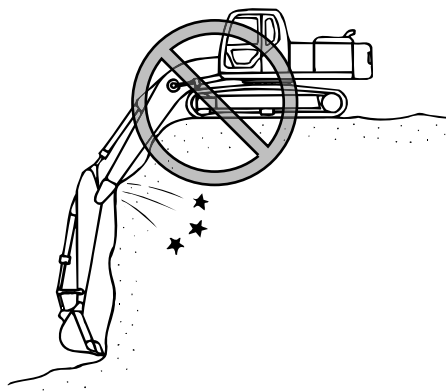
The cab top guard was designed conforming to ISO10262 and should not allow every possible loads to penetrate the cab.



### DEEP EXCAVATION OPERATION

To prevent damage to the machine, during deep excavation or diagonal digging.

- Do not allow the arm or the hydraulic piping to contact the side of the trench or hole.
- Do not allow the arm to contact the crawler shoe when operating with the arm below horizontal.



### PAY ATTENTION TO INTERFERENCE OF DOZER

When operating the machine with the dozer positioned at the front side, it can cause the dozer to contact the boom cylinder or the bucket. So pay attention to it.



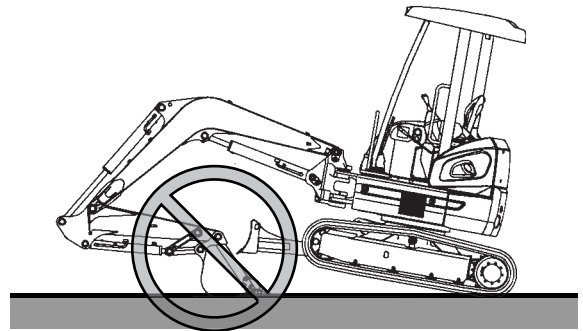
**DO NOT LIFT OR MOVE PERSONNEL**

Never lift or move personnel by using the attachment.  
The lifted personnel may fall off, causing severe accidents.



**DO NOT LIFT UP THE MACHINE WITH ARM CYLINDER STROKE END**

Never lift up the machine with arm cylinder stroke end. It may cause damage to the equipment/attachment and cylinder.



**BUCKET/ARM IN OPERATION WITH DOZER POSITIONED AT FRONT**

Be careful not to hit the dozer with the bucket when operating arm in or bucket in with the travel/transport position.



**NO PERSONNEL ALLOWED UNDER THE BUCKET OR ATTACHMENT / EQUIPMENT**

Never move a suspended load or the bucket over a person or above the driver's cab of a truck.  
The load could fall and cause serious injury or death.

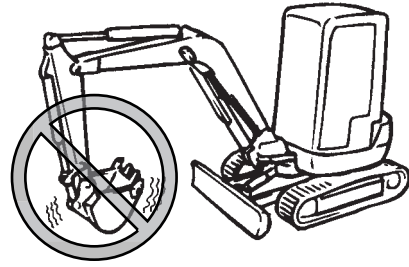


## [1. SAFETY INSTRUCTIONS]

---

### REMOVING DIRT OF BUCKET

With the bucket in the retracted position, do not give impact on the bucket to remove soil. It may cause damage to the equipment/attachment and cylinders.

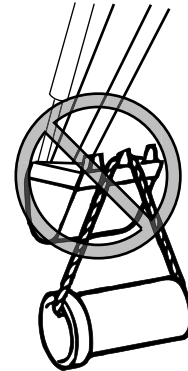


### LIFTING WORK

This machine is designed for the application of digging, loading, and leveling using the bucket. Furthermore, some machines are designed in consideration of works with a breaker, crusher, or others installed.

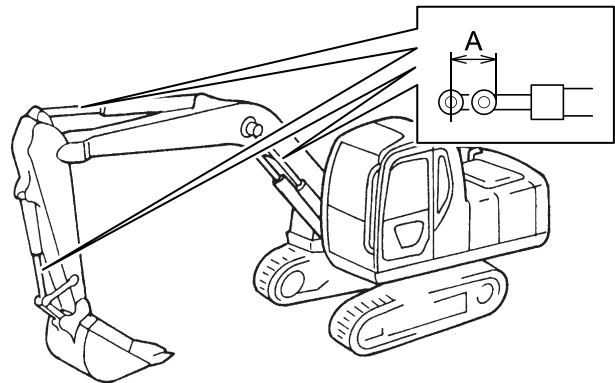
When lifting a load by using this machine, observe the laws and others of the country or area in which this machine is to be used.

Even though lifting with this machine is allowed according to the laws of the country or area in which this machine is to be used, do not lift the load by using the teeth of the bucket, the breaker, the crusher, or others. It can cause the lifting tools to come off and result in falling off of the load, leading to serious accidents or death.



### DO NOT OPERATE THE CYLINDERS TO THE STROKE END

Operate the bucket, boom and arm cylinders to leave some clearances (A) to the both stroke ends. If the cylinder is operated to the stroke end, it will generate an excessive load and cause damage to not only the cylinder but also the pin, boom and arm.



### DO NOT OPERATE IN ENCLOSED SPACES

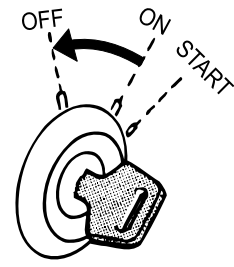
Do not operate the machine in enclosed spaces or, in any case, without appropriate ventilation.

### PRECAUTIONS FOR POTENTIALLY EXPLOSIVE ENVIRONMENT

Do not operate the machine in a potentially explosive environment.

PRECAUTIONS FOR LEAVING THE OPERATOR'S SEAT

Do not leave the machine with the engine running.



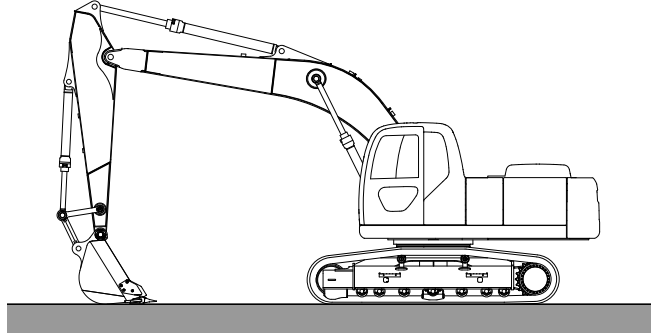
## [1. SAFETY INSTRUCTIONS]

### 1.4.4 SAFETY CHECK ON THE PARKING MACHINE

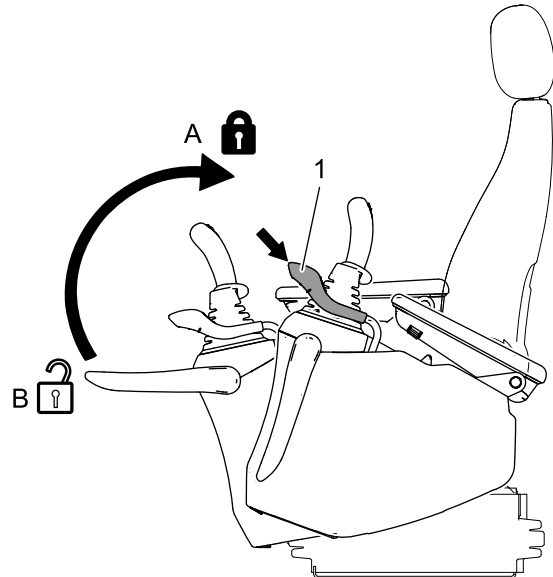
There are risks of creeping, unexpected movement at the time of coming start if the machine is not parked properly. Park the machine following the safety parking procedures shown below.

#### ALWAYS PARK MACHINE PROPERLY

1. Travel machine to a safe location on firm, level ground.
2. Lower the attachment to the ground.  
If equipped with a dozer blade, lower it to the ground.
3. Set the auto acceleration switch to the "OFF" position.



4. Pull the control lock lever(1) to the "LOCKED" (up) position(A).  
If not locked, accidental or unintended contact with the control levers, pedals and other control devices may result in unexpected and unintended machine movement.
5. Turn engine throttle to the low idle position.
6. Turn the starter switch to the "OFF" position and remove the key.  
Close and lock the windows and the cab door.  
Check the windows, doors and all other machine access covers are locked and secure.

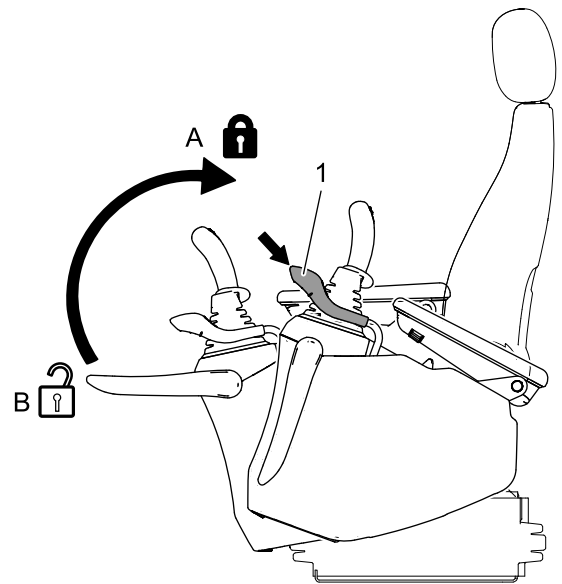
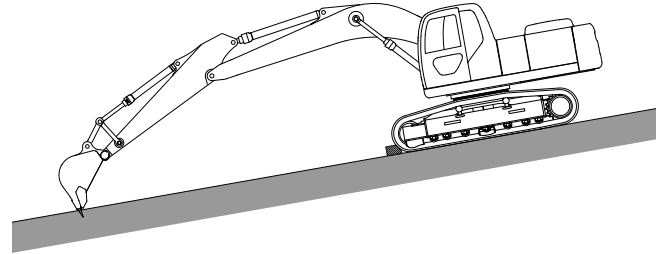




PARKING MACHINE ON SLOPE

If the machine must be parked on a slope.

1. The undercarriage and the upper structure and the attachment /equipment must face downhill.
2. Lower the attachment into the ground. If equipped with a bucket, wedge the bucket into the ground. If equipped with a dozer blade, lower it to the ground.
3. Set the auto acceleration switch to the "OFF" position.
4. Pull the control lock lever(1) to the "LOCKED" (up) position(A).  
If not locked, accidental or unintended contact with the control levers, pedals and other control devices may result in unexpected and unintended machine movement.
5. Turn engine throttle to the low idle position.
6. Turn the starter switch to the "OFF" position and remove the key.  
Close and lock the windows and the cab door.  
Check the windows, doors and all other machine access covers are locked and secure.
7. Block the tracks in the front and the rear.



## 1.5 AT THE END OF EACH SHIFT

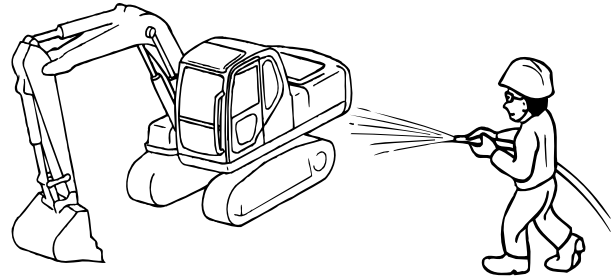


### READ THE OPERATOR'S MANUAL

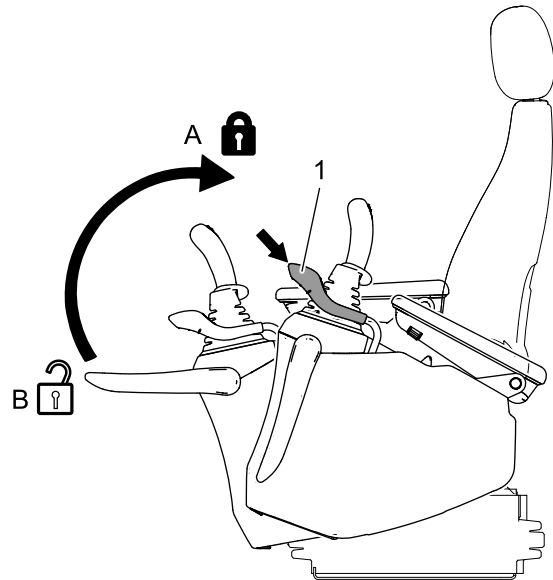
Read, understand and follow the safety messages and instructions in this manual. If these safety messages are not followed, serious injury or death could occur.

Always make sure the machine is secure and ready to be used for the next shift or moved to another job site.

1. Park the machine on a firm, level surface.
2. Lower attachment to the ground.



3. Pull the control lock lever(1) to the "LOCKED" (up) position(A) and check all control levers and pedals have returned to neutral.
4. Close and secure all windows in place to prevent water or moisture from damaging any electrical components.
5. Remove the key from the key switch and lock all doors and access panels.
6. Refill the fuel tank to the full mark to reduce air volume and condensation (moisture). This will decrease the possibility of freezing in the fuel tank, rusting due to moisture and other potential issues.
7. Thoroughly clean and inspect the machine. If any issues are found, always lubricate, repair, or replace any machine parts and systems prior to restarting the machine.
8. If the machine is stored in cold climates, it may be necessary to remove the batteries from the machine and store them in a warm, well ventilated area. Re-install the batteries before the next start up. This helps prevent premature battery deterioration.



---

## 1.6 PRECAUTIONS OF INSPECTION & MAINTENANCE

---



### READ THE OPERATOR'S MANUAL

Read, understand and follow the safety messages and instructions in this manual. If these safety messages are not followed, serious injury or death could occur.

---

### 1.6.1 PERIODIC INSPECTIONS

- Every year, the machine should be inspected by a qualified inspector or a registered inspection agency. If needed, contact your KOBELCO authorized dealer for that inspection.
- Every month inspect the machine for the following.

See chapter 4. "INSPECTION AND MAINTENANCE" for additional information about the monthly inspection & maintenance requirements for your machine.

Always keep all maintenance and all inspection records, including both the monthly and the yearly inspections, according to local codes and regulations of your country.

## 1.6.2 BEFORE INSPECTION & MAINTENANCE

### READ OPERATION/MAINTENANCE PROCEDURES CAREFULLY

Improper maintenance could cause serious injury (crush or burn) and damage the machine.

Read and understand the maintenance procedures (preparation for safe work, proper tools, qualifications, important parts, supervisor designation and wear the appropriate personal protective equipment, etc.) described in the manuals before safely and carefully inspecting and performing maintenance on the machine.

### CONFIRM JOB PROCEDURES

To prevent accidents, confirm all work procedures before starting.

### USE A SIGNAL PERSON AND A FLAGMAN

Know and use the hand signals required for particular jobs and confirm who has the responsibility for signaling:

All personnel must know and understand all the signals.

The operator shall respond to signals only from the appointed signal person, but shall obey a stop signal from anyone at any time.

The signal person must stand in a clearly visible location when giving the signals.

### ORGANIZE AND CLEAN UP WORKING SITE

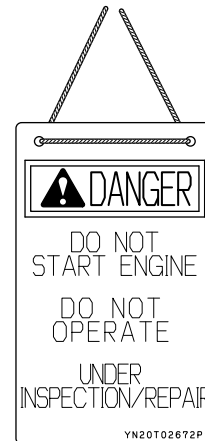
Inspecting and maintaining the machine at a messy working site may cause personal injury.

Clear obstacles, grease, oil, paint, debris, etc., from the working site.

### ATTACH A "DO NOT OPERATE" TAG

To prevent serious injury or death:

- Never allow unauthorized personnel to start the engine or touch the control levers during inspection and maintenance activities.
- Always lower the attachment, pull the control lock lever up, stop the engine, and remove the key before performing maintenance.
- Use a temporary "DO NOT OPERATE" hang tag to communicate that the machine is out of service. You may need to use more than one temporary hang tag depending on the work to be performed.
- Always have an operator at the controls to shut down the machine if the machine needs to be running for maintenance activity or an inspection. The operator and the maintenance personnel must have a means of communication when performing these tasks.



### USE PROPER TOOLS

To prevent serious injury or death, do not use of damaged tools or tools not intended for the task.

## 1.6.3 DURING INSPECTION & MAINTENANCE

### STOP ENGINE BEFORE PERFORMING INSPECTION AND MAINTENANCE

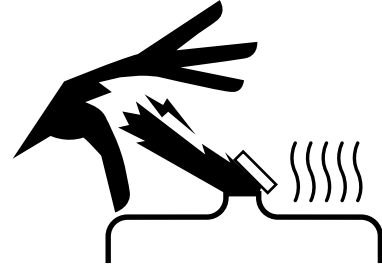
Always stop the engine and allow the engine and other components to cool before performing inspection or maintenance activities. Do not touch engine components when the engine is running or immediately after it has stopped to prevent serious injury or death. There are many hazards that can cause harm, including rotating parts, high voltage, high pressure fluids, and high temperature.

### HOT FLUIDS

Do not inspect the engine until it cools down.

To prevent burn injuries.

- Do not remove the radiator cap immediately after stopping operation. Hot radiator fluid may cause burns. Wait until the radiator cap is cool to the touch, then slowly loosen to release the internal pressure. Then remove cap.
- Do not remove the oil cap or plug immediately after stopping operation. Hot oil may cause burns. Wait until the oil cap or plug is cool to the touch, then slowly loosen it to release the internal pressure. Then remove the oil cap or plug.



## [1. SAFETY INSTRUCTIONS]

---

### HIGH PRESSURE OIL

Do not attempt to repair or tighten hydraulic hoses or fittings when the engine is running or when the hydraulic circuit is pressurized.

Pressure can be maintained in the hydraulic circuit long after the engine has been shut down.

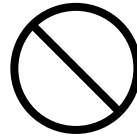
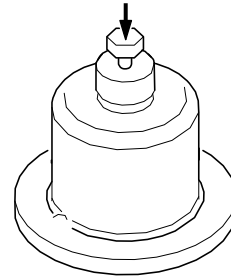
- Even though the hydraulic circuit has been left for a long time after engine stop, sometimes the pressure still remains inside the hydraulic circuit. Before refilling or draining the hydraulic oil, or inspecting or maintaining the machine, always release the pressure in the hydraulic lines by pressing the air breather of the hydraulic oil tank and loosening the connecting parts of the related hoses and connectors.

High pressure oil can penetrate the skin or eyes and cause injury, blindness or death. Fluid escaping from a small hole can be almost invisible.

- Always wear a face shield, protective glasses and gloves when inspecting for leaks.
- Always use a piece of cardboard or wood to inspect for suspected leaks.

If oil is injected into the skin, it must be removed within a few hours by a doctor familiar with this type of injury.

High pressure oil from even a pin hole leak can penetrate the skin or eyes and cause severe injury or blindness.



OK



### HIGH PRESSURE FUEL IN THE FUEL LINES

During engine running, high pressure is generated inside the fuel lines of the engine.

After engine stop, wait 1 minute before starting inspection and maintenance.

### HIGH PRESSURE OIL HOSE/PIPING

Leakage of oil or fuel from the hose or piping may cause a fire or malfunction of the machine. Stop working immediately whenever looseness or leakage from the installation parts of the hoses or piping are found and tighten or repair them using proper repair procedures and tightening torque.

Consult with your KOBELCO authorized dealer if damage or deformation of the hoses or piping is found.

The hoses in below-mentioned conditions are required to be replaced.

- A damaged hose or hose with a deformed fitting.
- The sheathing material of the hose has scratches or cuttings, or exposes the wire reinforcement layer.
- A part of the sheathing material is swelled.

### ELECTRIC SHOCK

Work on the machine's electrical equipment may only be carried out by skilled electrical personnel or trained personnel under the supervision of an electrician in accordance with electrical regulations.

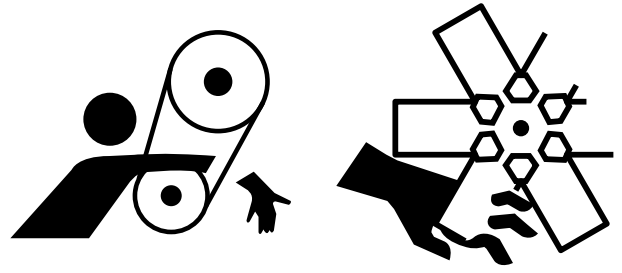
When working on energized equipment, always have another person positioned near the emergency-off or main switch and overvoltage release.

Contact your authorized KOBELCO dealer for assistance.

## ROTATING PARTS

Stay clear of all rotating and moving parts.

- Wrapping or entanglement may result in serious injury or death. Keep hands, clothing and tools away from the rotating fan and running fan belts. Never operate machine without guarding in place.
- Do not drop or insert tools and others to the fan and belt. They will be blown away or damaged, resulting in serious personal injury or death.
- Always have an operator at the controls to shut down the machine if the machine needs to be running for maintenance activity or an inspection. The operator and the maintenance personnel must have a means of communication when performing these tasks.



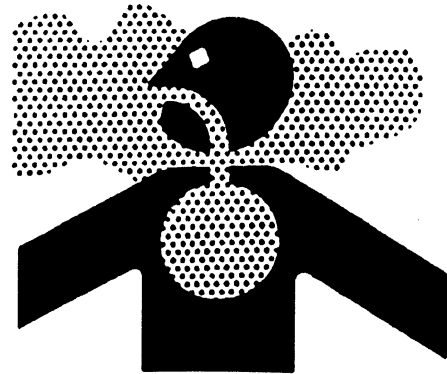
1

## VENTILATION PRECAUTIONS

Never operate the engine in an enclosed area without adequate ventilation. Engine exhaust contains carbon monoxide. Inspecting and maintaining the machine indoors or in a place with poor ventilation could cause serious injury or death.

Adequate ventilation is needed when inspecting, maintaining or running the machine indoors. Fully ventilate the work area, especially when handling fuel, cleaning solvent or paint.

If the natural ventilation is poor, install ventilators, fans, exhaust extension pipes or other artificial venting devices.



## CONNECTING, DISCONNECTING AND STORING ATTACHMENT / EQUIPMENT

To prevent serious injury or death:

- Always follow the instructions from your supervisor and the instructions in this manual when connecting or disconnecting the attachment /equipment.
- Secure the attachment /equipment to prevent them from falling over when stored.



## [1. SAFETY INSTRUCTIONS]

### SECURELY BLOCK THE MACHINE OR ANY COMPONENT THAT MAY FALL

To prevent serious injury or death, always support all the attachment /equipment when performing maintenance or inspecting underneath the machine or any raised attachment /equipment.

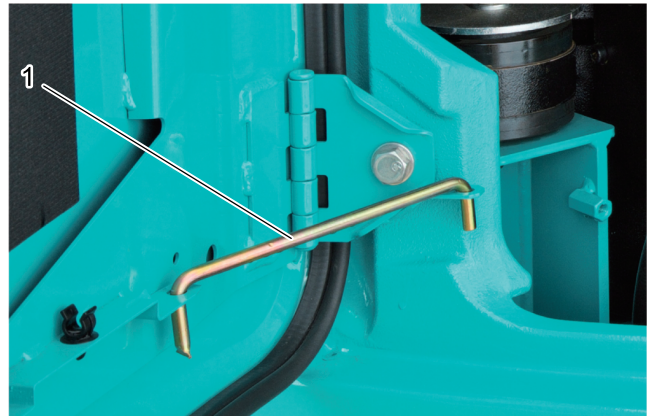
- Before performing maintenance or repairs under the machine, park the machine on firm level ground, lower the attachment to the ground, pull the control lock lever and remove the key.
- Securely block the tracks.
- If you must work beneath the raised machine or equipment, always use wood blocks, jack-stands or other rigid and stable supports. Never get under the machine, the attachment /equipment, if they are not sufficiently supported.

This procedure is especially important when working on hydraulic cylinders.



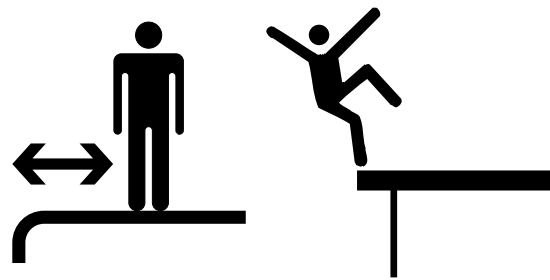
### LOCK THE ACCESS PANEL

To prevent serious injury, always secure the opened door panel with the stay(1) when maintaining the machine. If the door panel is not secure, it could move and you may be injured.



### PREVENT FALLS

- Clean all slippery substances such as grease, oil, hydraulic oil, mud, ice, and others attached to the steps, handrails, crawlers, ladders, and platforms.
- Inspect appearances and mounting portions of the steps, handrails, ladders, and platforms. Replace any damaged parts and tighten any loose bolts or nuts.
- Use the proper personal protective equipment, such as a body harness, if needed.
- Use extreme caution when walking on elevated surfaces to avoid slipping.
- Always use the steps, handrails, ladders and platforms to access locations above the ground level.
- Always face the machine and maintain three points of contact with the steps and handrails.
- Do not use control lock lever or control levers as hand hold.
- Do not have anything in your hands, including tools, when getting on and off the machine.
- Never jump on and off the machine, or attempt to get on and off a moving machine.
- Clean all spills, and store or secure tools in a strong place properly after working.





## DO NOT DROP TOOLS OR PARTS

Falling tools or parts may cause damage to the machine or cause unintended movement of the machine and result in serious injury or death.

- Retrieve any tools that fall immediately.
- Always secure tools or parts that are near the machine and store tools properly after maintenance is complete.

## GENERAL GUIDELINES FOR WELDING

Contact KOBELCO before welding on machine. Welding could damage wires, electronic processors, hoses, and tubes. Any welding on structural parts (as undercarriage, upper frame, equipment parts,...) should only be done by the manufacturer, or authorized KOBELCO dealer. Welding performed by others will void the warranty for your machine.

Do not weld tanks or lines that contain flammable fluids or flammable material. Empty and purge the lines and tanks. Then clean the lines and tanks with a nonflammable solvent prior to welding or flame cutting.

To prevent serious injury or possible fire, welding work must be performed by a certified welder at a facility with welding devices suitable for the task.

## BASIC PRECAUTIONS FOR WELDING AND GRINDING

- Before welding, select a location away from flammable items and have a fire extinguisher nearby.
- Perform work in a well-ventilated area.
- Always wear protective gear appropriate for welding.
- Turn the engine off and remove the key.
- Disconnect the negative (-) cable from its battery terminal. When the battery power-off switch is provided, set it to "OFF".
- Remove or adequately shield all components, hoses, tubes, and wires in the area.
- Ensure that the components are properly grounded in order to avoid unwanted arcs. Attach the welder ground cable directly to the area within 1 m (3 ft.) from the part to be welded and on the same parent material. If the welder ground cable is attached to the area near electric parts/connectors, these electric parts/connectors may be damaged.
- Make sure neither the bearing nor the bearing seal is between the welder ground cable and the part to be welded.
- Do not attach the welder ground cable near the pin or cylinder. It will damage the plating on the pin or cylinder.
- Remove paint from any surface to be welded to avoid generating poisonous gas.
- After grinding or welding, confirm there is no smoke or fire near the work area.

## USE CAUTION WHEN ADJUSTING THE CRAWLER TENSION

The crawler adjuster contains high pressure grease. If the tension is adjusted without following the prescribed procedure, the grease fitting may fly off and discharge grease, resulting in serious injury.

- Do not put your face, arms, legs or body in front of the grease fitting. If grease contacts your skin, wash completely with soap and water to avoid skin inflammation.
- Loosen the grease fitting one turn to gradually relieve pressure. If grease does not come out after one turn of the grease fitting, there is a problem. Call your KOBELCO authorized dealer for assistance.
- Loosen the grease fitting slowly.

After relieving the grease pressure, see "ADJUSTING CRAWLER TENSION" in Chapter 4 for additional information about how to adjust the crawler tension.



## [1. SAFETY INSTRUCTIONS]

---

### DO NOT DISASSEMBLE THE RECOIL SPRING

Never attempt to disassemble the recoil spring. The recoil spring assembly acts as a shock absorber for the front idler and contains a powerful spring under tension. If it is disassembled, the spring will eject from the assembly and result in severe personal injury or death.

If there is an issue with the recoil spring assembly, contact your KOBELCO authorized dealer for repair.

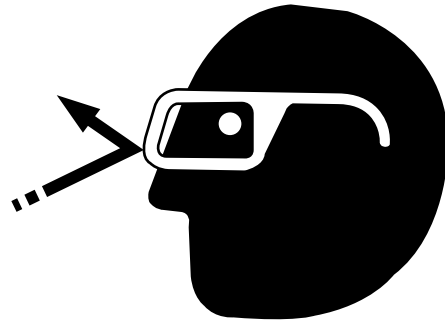
### BEFORE HAMMERING METAL PINS, TEETH OR BEARINGS

Always wear required personal protective equipment such as safety glasses when using hammers, as metal fragments or other objects can fly and cause serious personal injury.

Broken metal pieces may cause severe personal injury when hammering metal pins, teeth or bearings.

To avoid injury:

- Wear protective gears such as safety glasses, gloves, hardhat, protective shoes, etc.
- Confirm the work area is clear of personnel before using hammer.
- Use a piece of wood or similar material to absorb the direct impact of the hammer when removing metal pins, teeth or bearings.



### BE AWARE OF THE HAZARDS WITH THE REFRIGERANT AND THE AIR CONDITIONING SYSTEM

- Do not loosen the refrigerant circuit parts. If refrigerant gets in your eyes, it may cause loss of sight including potential blindness. Do not touch the refrigerant circuit parts. If refrigerant gets on your skin, it may cause frostbite.
- Do not inhale refrigerant gas; and
- Keep refrigerant gas away from heat sources.

Dispose of refrigerant according to local codes and regulations of each country.

If you need additional assistance, contact your KOBELCO authorized dealer about proper disposal of refrigerant.

## 1.6.4 PROHIBITED IN INSPECTION & MAINTENANCE

### NEVER USE HEAT NEAR HYDRAULIC EQUIPMENT, PIPING OR HOSES

When welding, soldering or using a torch, do not expose piping and hoses containing pressurized oil to heat. Heat may create the potential for exposure to flammable gas and result in a fire.

Always cover hydraulic equipment, piping, hoses and other flammable items with fire-proof blankets.

Keep a suitable fire extinguisher readily available.



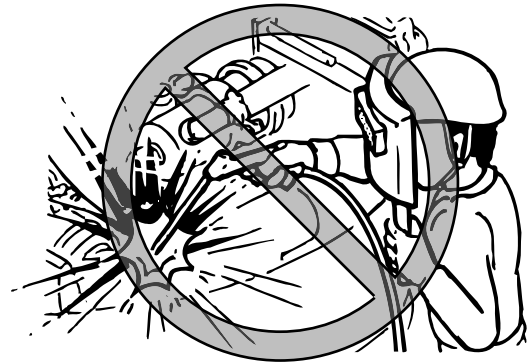
1

### DO NOT HEAT PIPING WITH FLAMMABLE OIL

- Do not weld or perform gas cutting on pipes and tubes filled with flammable oil.
- Remove flammable oil from pipes and tubes using nonflammable solvent before welding and gas cutting.

### DO NOT MODIFY MACHINE WITHOUT APPROVAL FROM KOBELCO

- Any and all modifications to this machine must be approved by KOBELCO.
- Damage to the machine or any failures that may result from unauthorized modification of the machine are not covered by the warranty.



## 1.6.5 AFTER COMPLETION OF MAINTENANCE

### AFTER MAINTENANCE

Before returning machine to service, always confirm there are no leaks and the controls are functioning properly.

- Run the engine at low idle speed and check for oil or water leaks.
- Slowly operate each control lever and check that it is functioning properly.
- Then gradually increase the engine speed and check for oil or water leaks again.
- Manipulate each control lever again and check that it is functioning properly.
- Close the doors, guards, engine hood, etc.

### PROPER WASTE DISPOSAL

- Drain used fluids from the machine into leak proof containers.
- Never pour used oil or other fluids onto the ground, down a drain or into any body of water. Improper disposal can harm the environment. Contact your local government or public service company to ask about proper disposal methods.
- Properly dispose of oil, fuel, engine coolant, refrigerant, solvents, filters, batteries and other harmful substances according to local codes and regulations of each country.



## 1.7 PRECAUTIONS FOR BATTERY



### READ THE OPERATOR'S MANUAL

Read, understand and follow the safety messages and instructions in this manual. If these safety messages are not followed, serious injury or death could occur.

### 1.7.1 HANDLING THE BATTERY

#### PREVENTION OF ELECTROLYTE BURNS

Wear safety glasses or face shield, and chemical resistant gloves and clothing when handling or servicing batteries.

Battery electrolyte contains dilute sulfuric acid.

Electrolyte will damage eyes or skin on contact. If battery electrolyte contacts skin or eyes, flush affected areas immediately with a large amount of fresh water, then seek medical attention.

Wash hands after touching batteries and connectors.



#### BATTERY EXPLOSION PREVENTION

- Always keep cigarettes, flames and other ignition sources away from batteries.  
Batteries give off hydrogen gases that can explode and cause serious injury or death.
- Always keep all battery caps tightly secured.



#### CHARGING THE BATTERY

See "USING JUMPER CABLES" in Chapter 3.

#### REPLACING THE BATTERY

See "CHECKING BATTERY VOLTAGE" in Chapter 4.

#### BATTERY DISPOSAL

Dispose of batteries according to local codes and regulations of each country.

If you need additional assistance, contact your KOBELCO authorized dealer about proper disposal of used batteries.

## 1.8 HANDLING OF THE ACCUMULATOR OR GAS SPRING

---



### WARNING READ THE OPERATOR'S MANUAL

Read, understand and follow the safety messages and instructions in this manual. If these safety messages are not followed, serious injury or death could occur.

---

High pressured nitrogen gas is sealed inside the accumulator or gas spring.

To prevent serious injury or death:

- Never attempt to disassemble accumulator or gas spring.
- Never drill or weld, or perform gas cutting on accumulator or gas spring.
- Keep fire and other ignition sources away from the accumulator or gas spring.
- Never throw accumulator or gas spring into fire.
- Ask your KOBELCO authorized dealer to vent the gas from the accumulator or to remove the gas spring before disposal.

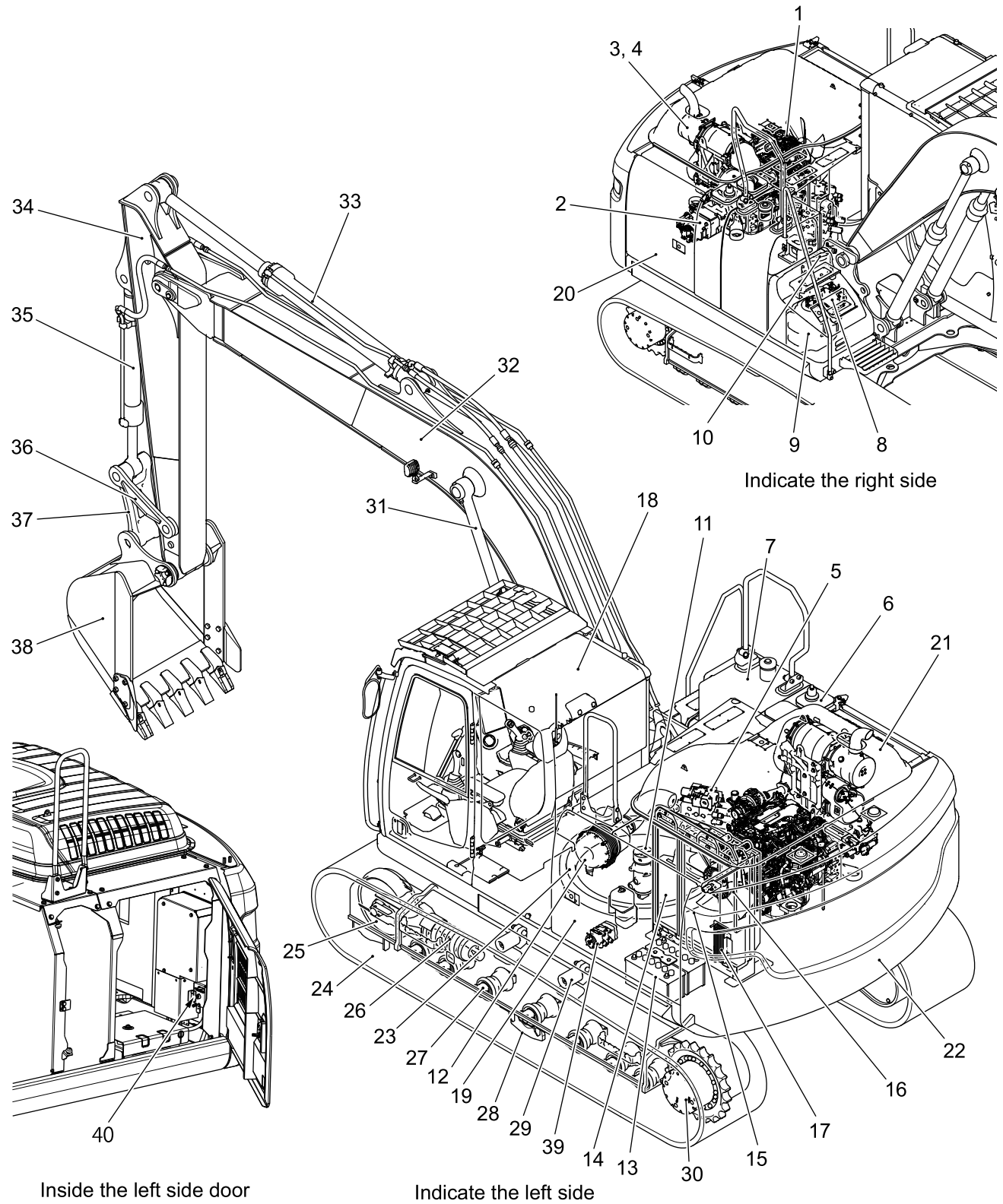


## 2. MACHINE FAMILIARIZATION





## 2.1 BASIC COMPONENTS OF THE MACHINE

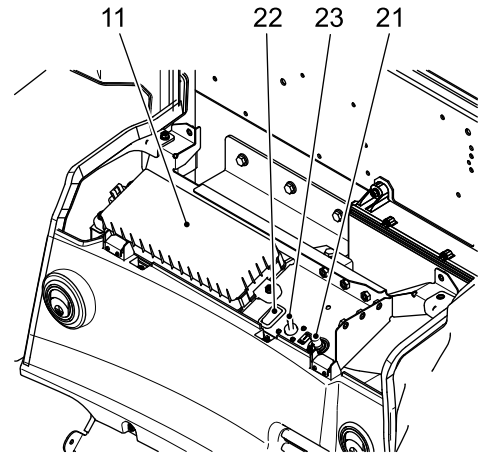
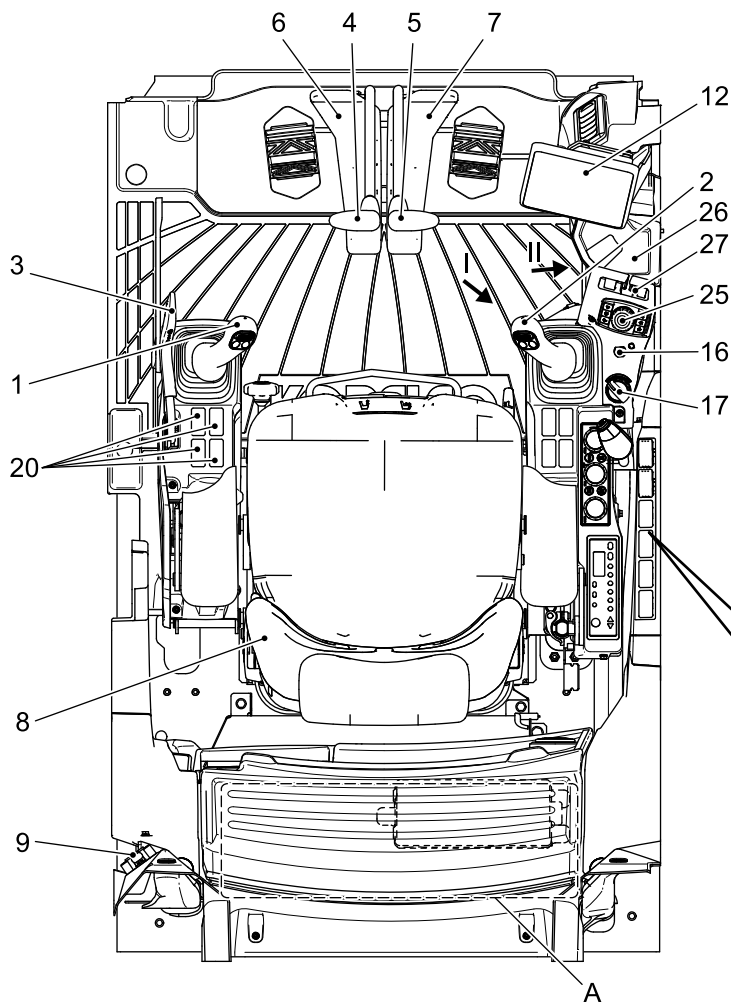


2

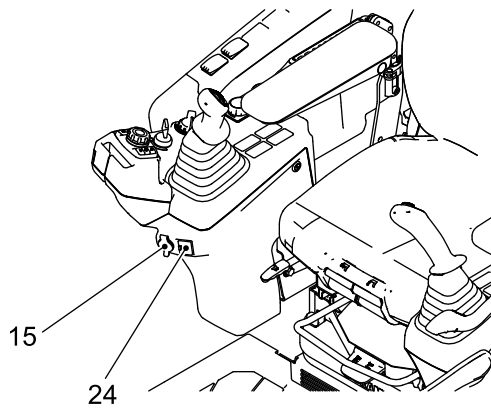
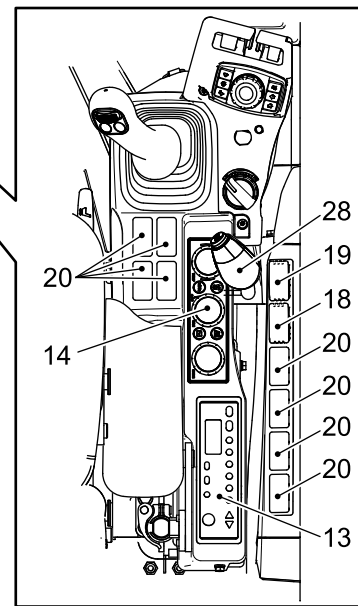
## [2. MACHINE FAMILIARIZATION]

Item	Name	Item	Name	Item	Name
1	Engine	15	Radiator	29	Upper roller
2	Hydraulic pump	16	Intercooler	30	Travel motor
3	Diesel particulate filter	17	Fuel cooler	31	Boom cylinder
4	SCR	18	Cab	32	Boom
5	Control valve	19	Left side door	33	Arm cylinder
6	Hydraulic oil tank	20	Right side door	34	Arm
7	Fuel tank	21	Engine hood	35	Bucket cylinder
8	DEF/AdBlue pump	22	Counterweight	36	Idler link
9	DEF/AdBlue tank	23	Swing bearing	37	Bucket link
10	Swing motor	24	Crawler	38	Bucket
11	Swivel joint	25	Front idler	39	Rotary multi control valve
12	Air cleaner	26	Crawler adjuster	40	Battery power-off switch
13	Battery	27	Lower Roller		
14	Oil cooler	28	Track guide		

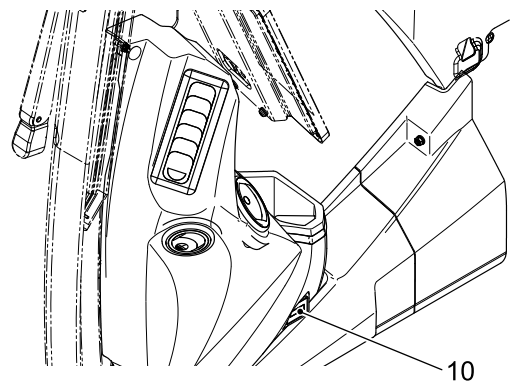
## 2.2 OPERATOR'S STATION NOMENCLATURE



DETAIL A



VIEW I



VIEW II

2

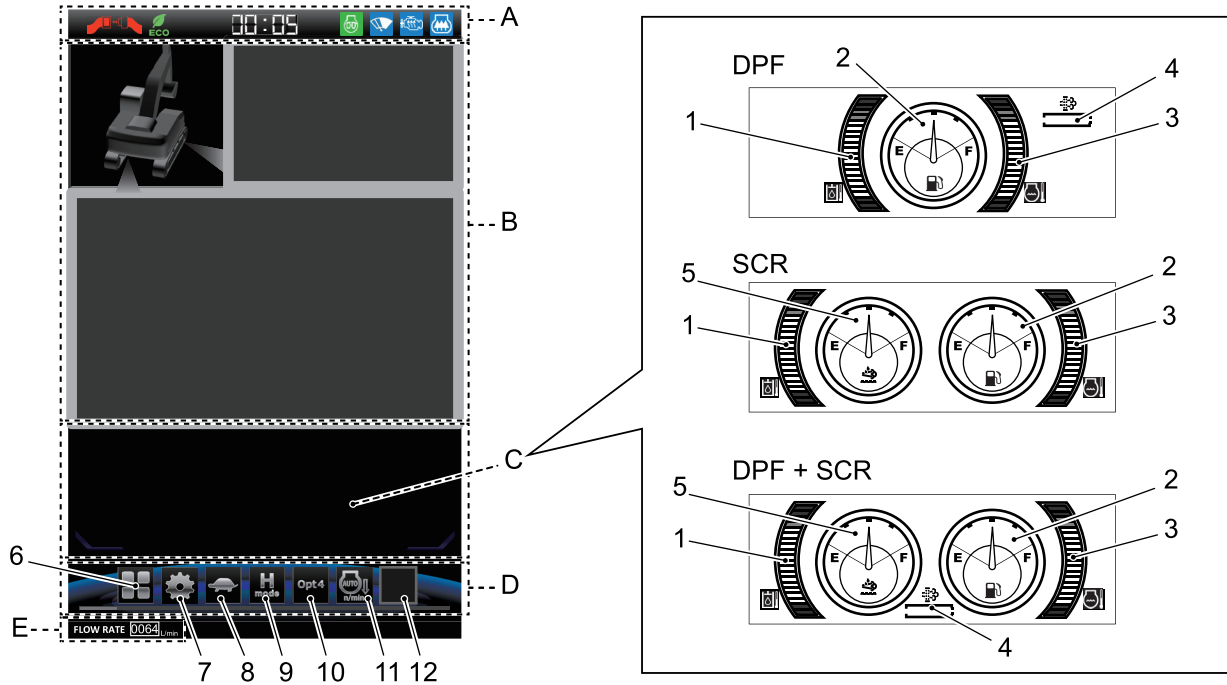
## [2. MACHINE FAMILIARIZATION]

Item	Name	Item	Name
1	Left control lever (with horn switch)	15	12V power supply
2	Right control lever	16	Starter switch
3	Control lock lever	17	Engine throttle
4	Left travel lever	18	Working light (boom and deck)
5	Right travel lever	19	Manual regeneration switch
6	Left travel pedal	20	Cap (Optionally installed switch)
7	Right travel pedal	21	Emergency accel
8	Operator's seat	22	Swing parking brake release switch
9	Life hammer	23	KPSS release switch
10	Hour meter	24	USB port/external input terminal (AUX)
11	Fuse and relay box	25	Switch box
12	Monitor	26	Cup holder
13	Radio	27	Holder for Smart phone
14	Air conditioner operation panel	28	Dozer operation lever (with travel speed select switch)

## 2.3 MONITOR

### 2.3.1 NORMAL SCREEN

According to the types of the exhaust gas cleaning devices, the display of portion C is changed. This manual explains operations based on the screens of the DPF and the SCR.



Symbol	Display	
A	Notification icons/clock	
B	The images captured by the rearview camera and the side cameras are displayed.	
C	Meter	1 Hydraulic oil temperature meter
		2 Fuel level meter
		3 Engine coolant temperature meter
		4 Soot deposition meter
		5 DEF/AdBlue level gauge
D	Switch	6 Setting menu
		7 Switch setting
		8 Travel speed selection
		9 Work mode selection
		10 Attachment mode selection
		11 Auto acceleration ON/OFF selection
		12 Range of option display
E	Set flow rate of front attachment The flow rate at a light load work becomes a set value and is displayed.	

2

## [2. MACHINE FAMILIARIZATION]

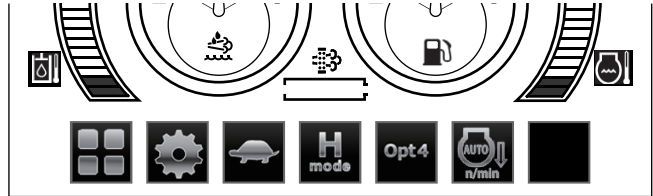
### 2.3.2 SWITCH DISPLAY

The number of switch indications changes according to the position of the control lock lever.

#### Notice

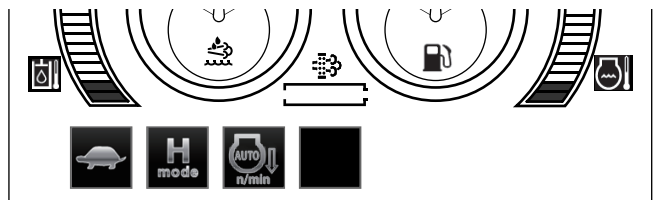
When the control lock lever is raised upward to the "LOCKED" position, setting for changing the screen becomes possible.

**When the lever is raised upward to the "LOCKED" position**









**When the lever is push down to the "UNLOCKED" position**

The switches for setting of changing the screen become invisible.



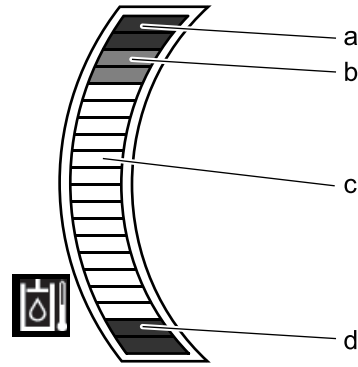
### 2.3.3 NOTIFICATION ICON

Display	Summary
	Seat belt display Displayed 30 seconds after the starter switch is turned "ON".
	Displayed at the operation of low fuel consumption.
	Displayed when the auto idle stop function is being actuated.
	Displayed when the glow plug is being actuated.
	Displayed at the auto warming-up.
	Displayed when the wiper is being actuated.

### 2.3.4 HYDRAULIC OIL TEMPERATURE METER

The meter shows the hydraulic oil temperature. After the starter switch is turned to the "ON" position, bars are displayed on the monitor.

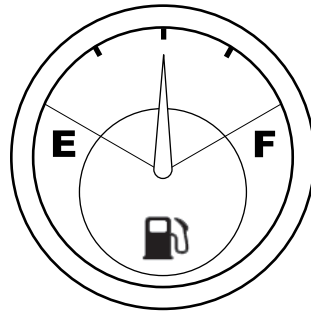
As the hydraulic oil temperature rises, the bars increase. If the bars indicating a high temperature appear during operation, set the engine throttle to the low idle position, pull up the control lock lever to the "LOCKED" position, and do not perform any lever operations until the bars indicating a high temperature disappear and the bars are decreased to the normal temperature range(c).



Symbol	Color of bars	Temperature
a	Red	High temperature Warning sounds.
b	Orange	High temperature
c	White	Normal
d	Blue	Low temperature

### 2.3.5 FUEL LEVEL METER

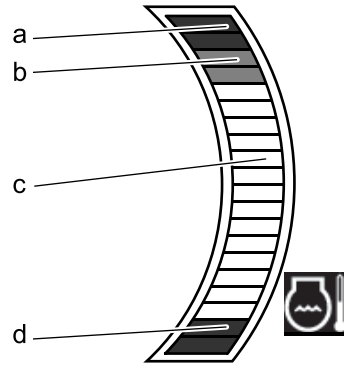
The meter shows the amount of fuel in the fuel tank. After the starter switch is turned to the "ON" position, the fuel level meter is displayed on the monitor. The remaining amount of fuel is indicated with the pointer, and when the fuel level is low, the pointer indicates point E. When the fuel level is low, see "CHECKING FUEL LEVEL AND REFUELING" in Chapter 3 in the operation manual, and supply fuel.



### 2.3.6 ENGINE COOLANT TEMPERATURE METER

The meter indicates the temperature of the engine coolant. After the starter switch is turned to the "ON" position, bars are displayed on the monitor. As the engine coolant temperature rises, the bars increase.

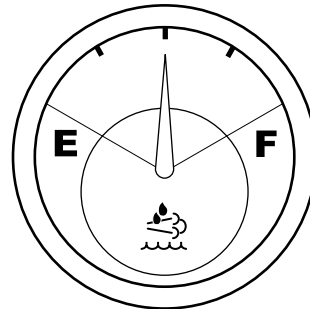
If the bars indicating a high temperature appear during operation, set the engine throttle to the low idle position, pull up the control lock lever to the "LOCKED" position, and do not perform any lever operations until the bars indicating a high temperature disappear and the bars are decreased to the normal temperature range(c).



Symbol	Color of bars	Temperature
a	Red	Overheat Warning sounds. The engine speed becomes limited.
b	Orange	High temperature
c	White	Normal
d	Blue	Low temperature

### 2.3.7 DEF/ADBLUE LEVEL GAUGE

The gauge indicates the DEF/AdBlue level in the DEF/AdBlue tank. After turning the starter switch "ON", the level gauge (1) is displayed on the multi-display. The amount of DEF/AdBlue is indicated with a pointer, and when the DEF/AdBlue level is low, the pointer points E. The amount of DEF/AdBlue is proper if the pointer points the place higher than the yellow range. When the pointer points the yellow or red range, the warning is displayed on the monitor and the warning sounds. At that time, see "CHECKING DEF/ADBLUE LEVEL AND REFILLING" in Chapter 3 of the standard operation & maintenance manual and refill DEF/AdBlue.



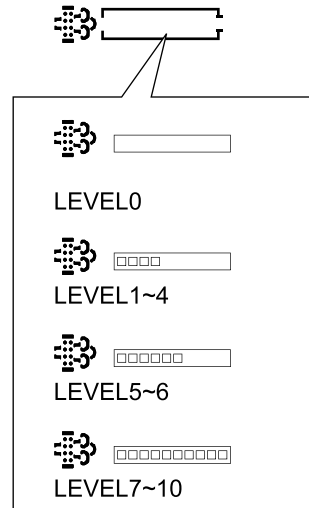


### 2.3.8 SOOT DEPOSITION METER

The meter shows the soot amount accumulated in the DPF filter. After turning the starter switch "ON", the soot deposition meter is displayed on the monitor.

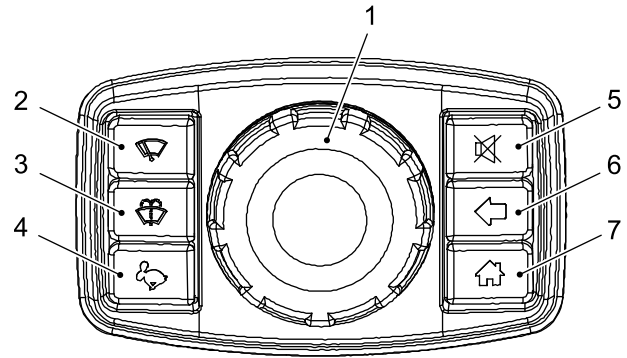
It shows the level in 10 levels. As the amount of soot increases, the level goes up.

The soot amount shown in this deposition meter is an approximate amount. When soot accumulates, the warning is displayed on the monitor and the warning sounds. Then, see "ABOUT MANUAL REGENERATION" in Chapter 4 in the operation manual, and perform manual regeneration.



Level	Color	Warning	Remedy
0	No display	None	The machine automatically enters the soot combustion mode. (automatic regeneration)
1 to 4	Green	None	
5 to 6	Yellow	Warning sound/display	Perform the manual regeneration.
7	Red	Warning sound/display	
8 to 9		Warning sound/display The engine speed becomes limited.	Stop the operation and contact your KOBELCO authorized dealer.
10		Warning sound/display The engine speed and the engine output become limited. Manual generation becomes impossible in this state even if the switch is pressed.	

2.3.9 SWITCH BOX



Item	Name	Function
1	Jog dial	Controls the cursor on the monitor and switches the screen.
2	Wiper switch	Activates the wiper.
3	Washer switch	Sprays the washer fluid to the front window.
4	Travel speed select switch	Switches the travel speed.
5	Buzzer stop switch	Stops buzzer sounding.
6	Return switch	Returns the monitor screen to the previous screen.
7	Home switch	Returns the monitor screen to the normal screen.

Example of operating monitor

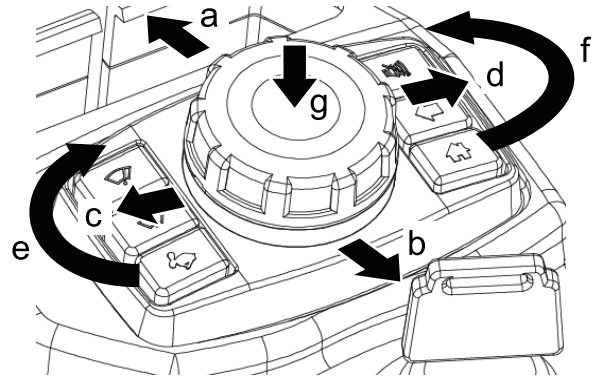
**Jog dial operation**

**Tilting (a,b,c,d) and rotating (e,f) the jog dial**

To move the cursor on the monitor and adjust the values and others.

**Pushing down (g) the jog dial**

- To switch the screen to the selected setting screen.
- To determine the adjusted value and others.



**How to move the cursor**

<p>(c) Tilt the jog dial left                  (d) Tilt the jog dial right                  (e) Turn the jog dial clockwise                  (f) Turn the jog dial counterclockwise</p>	<p>(a) Tilt the jog dial forward                  (b) Tilt the jog dial rearward</p> <p>(e) Turn the jog dial clockwise                  (f) Turn the jog dial counterclockwise</p>
---	---

**How to set the adjustable value in each item**

<p><b>Increasing the value</b>                  (a) Tilt the jog dial forward                  (e) Turn the jog dial clockwise</p>	<p><b>Decreasing the value</b>                  (b) Tilt the jog dial rearward                  (f) Turn the jog dial counterclockwise</p>
--	--

2.3.10 SETTING MENU SCREEN

**Notice**

When the control lock lever is raised upward to the "LOCKED" position, setting for changing the screen becomes possible.

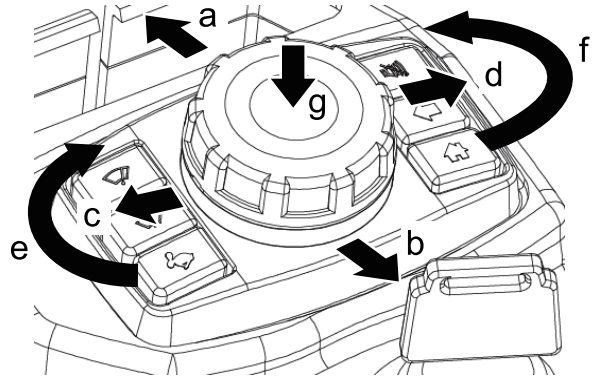
**Jog dial operation**

**Tilting (a,b,c,d) and rotating (e,f) the jog dial**

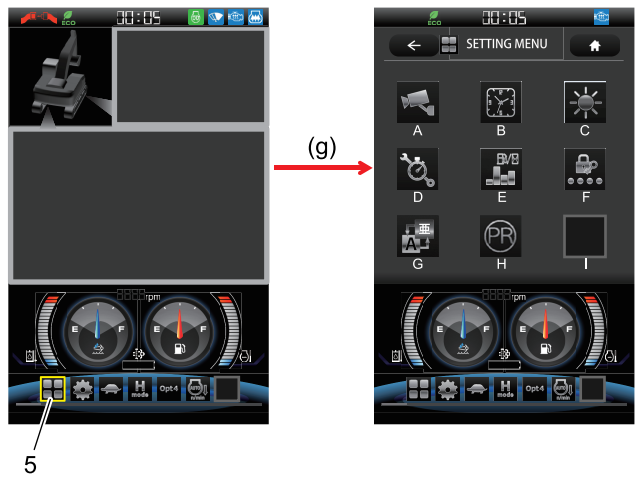
To move the cursor on the monitor and adjust the values and others.

**Pushing down (g) the jog dial**

- To switch the screen to the selected setting screen.
- To determine the adjusted value and others.



1. Tilt and turn the jog dial to move the cursor to setting menu (5) on the monitor.
2. Push down (g) the jog dial to switch the monitor to the [SETTING MENU] screen



A	B	C
PICTURE OF CAMERA	CLOCK SETTING	SCREEN BRIGHTNESS
D	E	F
MAINTENANCE	CONSUMPTION	START PASSWORD
G	H	I
		An icon for option will be located.
LANGUAGE SELECTION	PRESSURE RELEASE	

PICTURE OF CAMERA



This menu allows you to select the picture layout of the camera displayed on the normal screen.

Layout of camera images

Layout 1	Layout 2	Layout 3
<p>(A) Image captured by rearview camera (B) Image captured by right side camera</p>	<p>(A) Image captured by rearview camera (B) Image captured by right side camera</p>	<p>Synthetic image made from images captured by right side camera and rearview camera</p>
Layout 4		
<p>Synthetic image made from images captured by left and right side cameras and rearview camera</p>		

2

## [2. MACHINE FAMILIARIZATION]

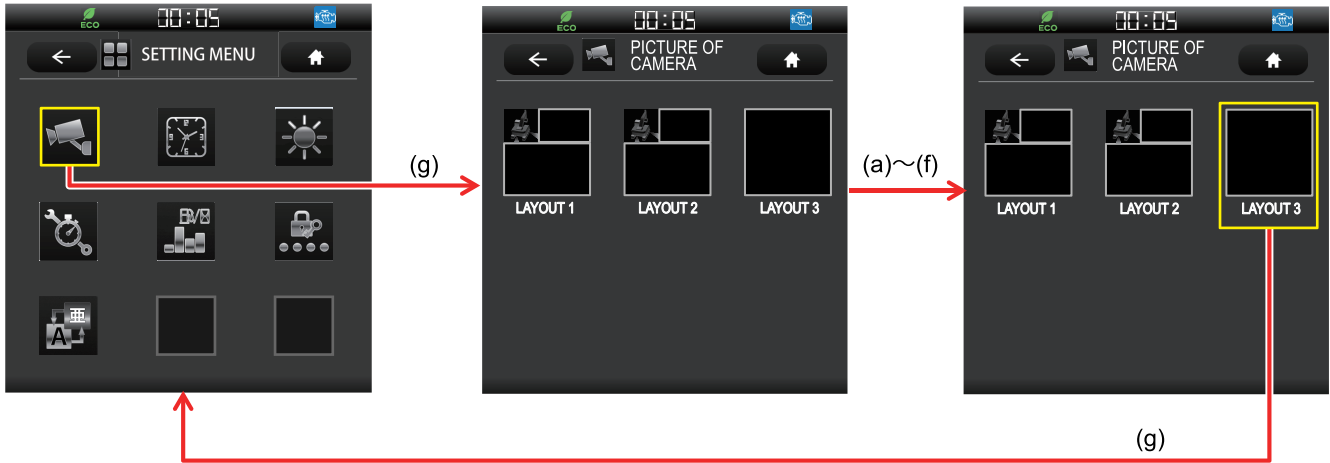
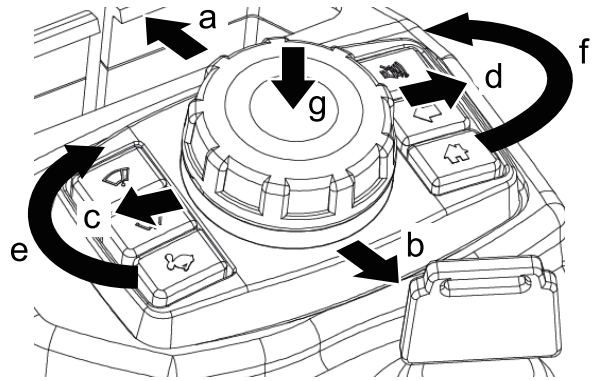
### Jog dial operation

#### Tilting (a,b,c,d) and rotating (e,f) the jog dial

To move the cursor on the monitor and adjust the values and others.

#### Pushing down (g) the jog dial

- To switch the screen to the selected setting screen.
- To determine the adjusted value and others.



1. Switch the monitor to the [SETTING MENU] screen.
2. Tilt and turn the jog dial to move the cursor to [PICTURE OF CAMERA] on the [SETTING MENU] screen.
3. Push down (g) the jog dial to switch the monitor to the [PICTURE OF CAMERA] screen.
4. Tilt and turn the jog dial to move the cursor to a desired layout.
5. Push down (g) the jog dial to set the selected layout and return the monitor to the [SETTING MENU] screen.

CLOCK SETTING



This menu allows you to set the clock.

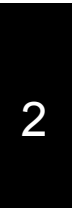
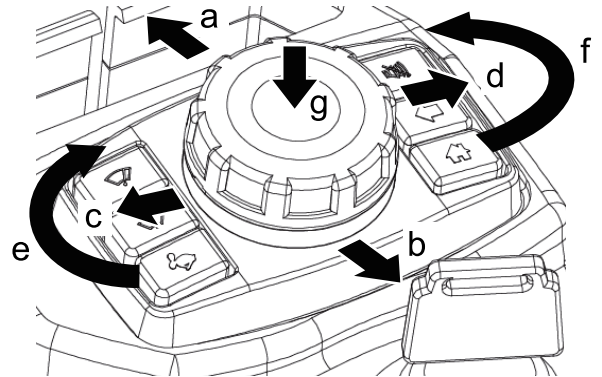
**Jog dial operation**

**Tilting (a,b,c,d) and rotating (e,f) the jog dial**

To move the cursor on the monitor and adjust the values and others.

**Pushing down (g) the jog dial**

- To switch the screen to the selected setting screen.
- To determine the adjusted value and others.



1. Switch the monitor to the [SETTING MENU] screen.
2. Tilt and turn the jog dial to move the cursor to [CLOCK SETTING] on the [SETTING MENU] screen.
3. Push down (g) the jog dial to switch the monitor to the [CLOCK SETTING] screen.
4. Tilt and turn the jog dial to move the cursor to a desired item to set.
5. Push down (g) the jog dial to enable the selected item to be adjustable.
6. Tilt and turn the jog dial to a desired value.
7. Push down (g) the jog dial to set the desired value.
8. Tilt and turn the jog dial to move the cursor to [OK].
9. Push down (g) the jog dial to return the monitor to the [SETTING MENU] screen.

SCREEN BRIGHTNESS



This menu allows you to adjust the screen brightness.

**Setting of day brightness**

Adjust the screen brightness when the working light is "OFF".

**Setting of night brightness**

Adjust the screen brightness when the working light is "ON".

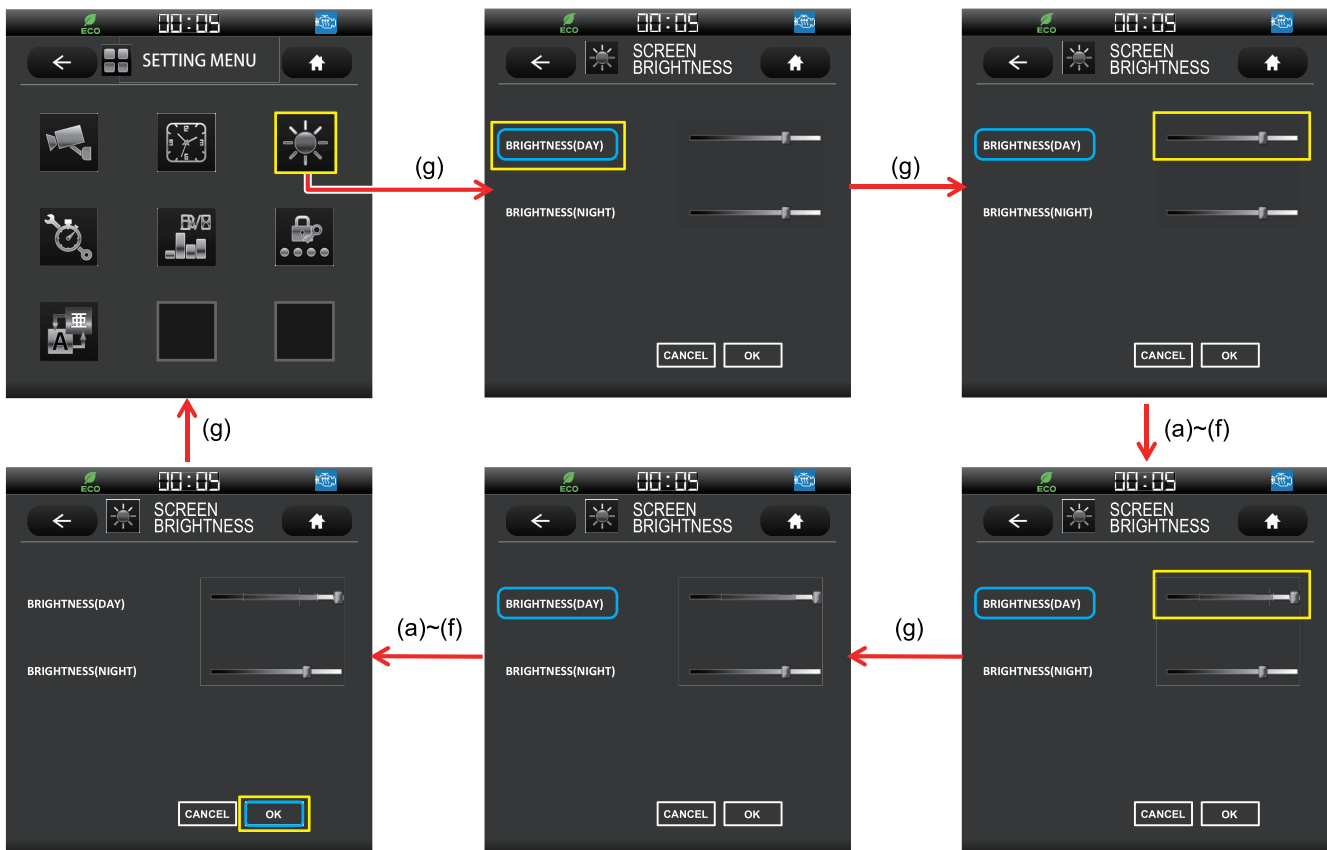
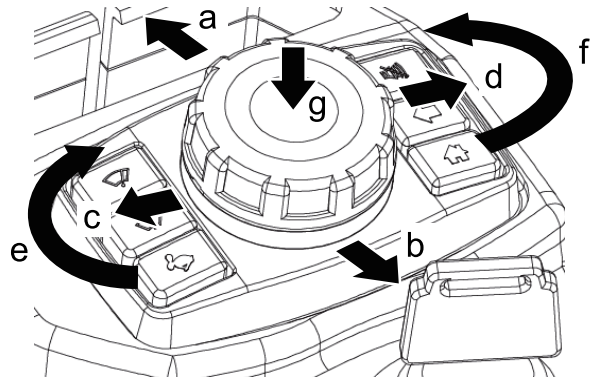
**Jog dial operation**

**Tilting (a,b,c,d) and rotating (e,f) the jog dial**

To move the cursor on the monitor and adjust the values and others.

**Pushing down (g) the jog dial**

- To switch the screen to the selected setting screen.
- To determine the adjusted value and others.



1. Switch the monitor to the [SETTING MENU] screen.
2. Tilt and turn the jog dial to move the cursor to [SCREEN BRIGHTNESS] on the [SETTING MENU] screen.
3. Push down (g) the jog dial to switch the monitor to the [SCREEN BRIGHTNESS] screen.
4. Tilt and turn the jog dial and move the cursor to a desired item to set.



5. Push down (g) the jog dial to enable the selected item to be adjustable.
6. Tilt and turn the jog dial to move the slider left or right to desired screen brightness.
7. Push down (g) the jog dial to set the desired screen brightness.
8. Tilt and turn the jog dial to move the cursor to [OK].
9. Push down (g) the jog dial to return the monitor to the [SETTING MENU] screen.

## [2. MACHINE FAMILIARIZATION]

### MAINTENANCE



This menu allows you to display the remaining time to the end of the set replacement interval of the filter/oil. Also, you can set the next replacement interval.

After the replacement interval is reached, inspect and maintain the part following to "INSPECTION AND MAINTENANCE" in Chapter 4 in the operation manual.

#### In case of after replacement interval

- The warning is displayed on the monitor.
- The color of the remaining time display in the [MAINTENANCE] changes to red.

#### Notice

After the replacement interval is reached, the buzzer sounds, if the machine setting has been changed. If needed, contact your KOBELCO authorized dealer.

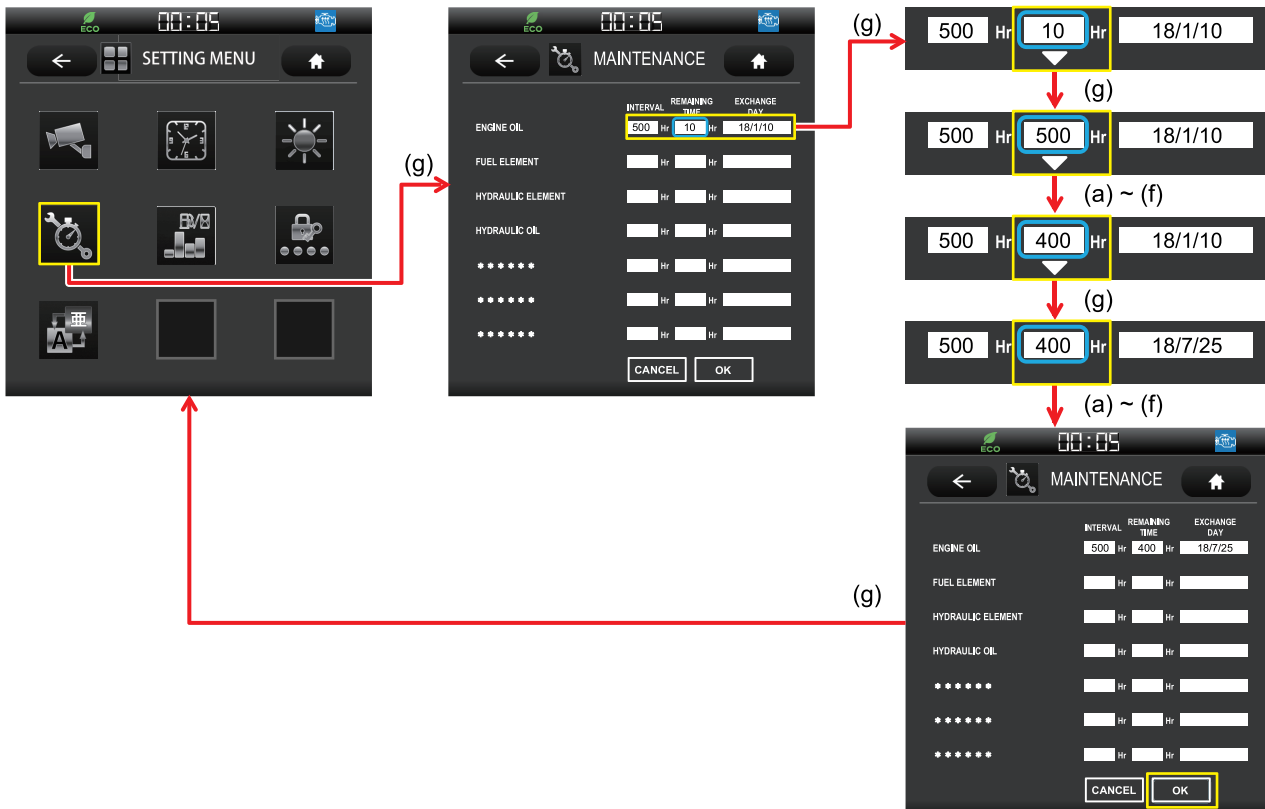
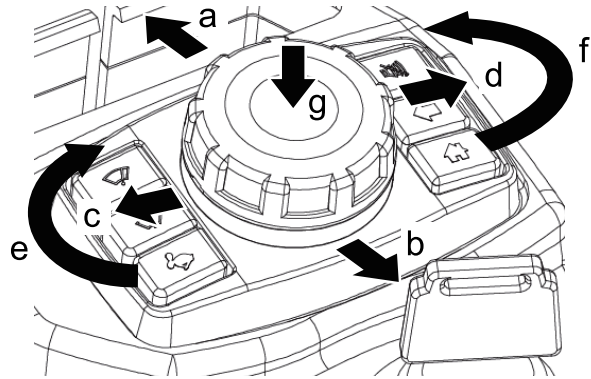
#### Jog dial operation

##### Tilting (a,b,c,d) and rotating (e,f) the jog dial

To move the cursor on the monitor and adjust the values and others.

##### Pushing down (g) the jog dial

- To switch the screen to the selected setting screen.
- To determine the adjusted value and others.



1. Switch the monitor to the [SETTING MENU] screen.

2. Tilt and turn the jog dial to move the cursor to [MAINTENANCE] on the [SETTING MENU] screen.
3. Push down (g) the jog dial to switch the monitor to the [MAINTENANCE] screen.
4. Tilt and turn the jog dial to move the cursor to [REMAINING TIME] of a desired item to set.
5. Push down (g) the jog dial to reset [REMAINING TIME] to the equal value of [INTERVAL] and enable the selected item to be adjustable.
6. Tilt and turn the jog dial to a desired value.  
The value cannot exceed [INTERVAL].
7. Push down (g) the jog dial to set the desired value.  
At this time, [EXCHANGE DAY] is renewed.
8. Tilt and turn the jog dial to move the cursor to [OK].
9. Push down (g) the jog dial to return the monitor to the [SETTING MENU] screen.

## [2. MACHINE FAMILIARIZATION]

### CONSUMPTION



The monitor display of the fuel efficiency can be set.

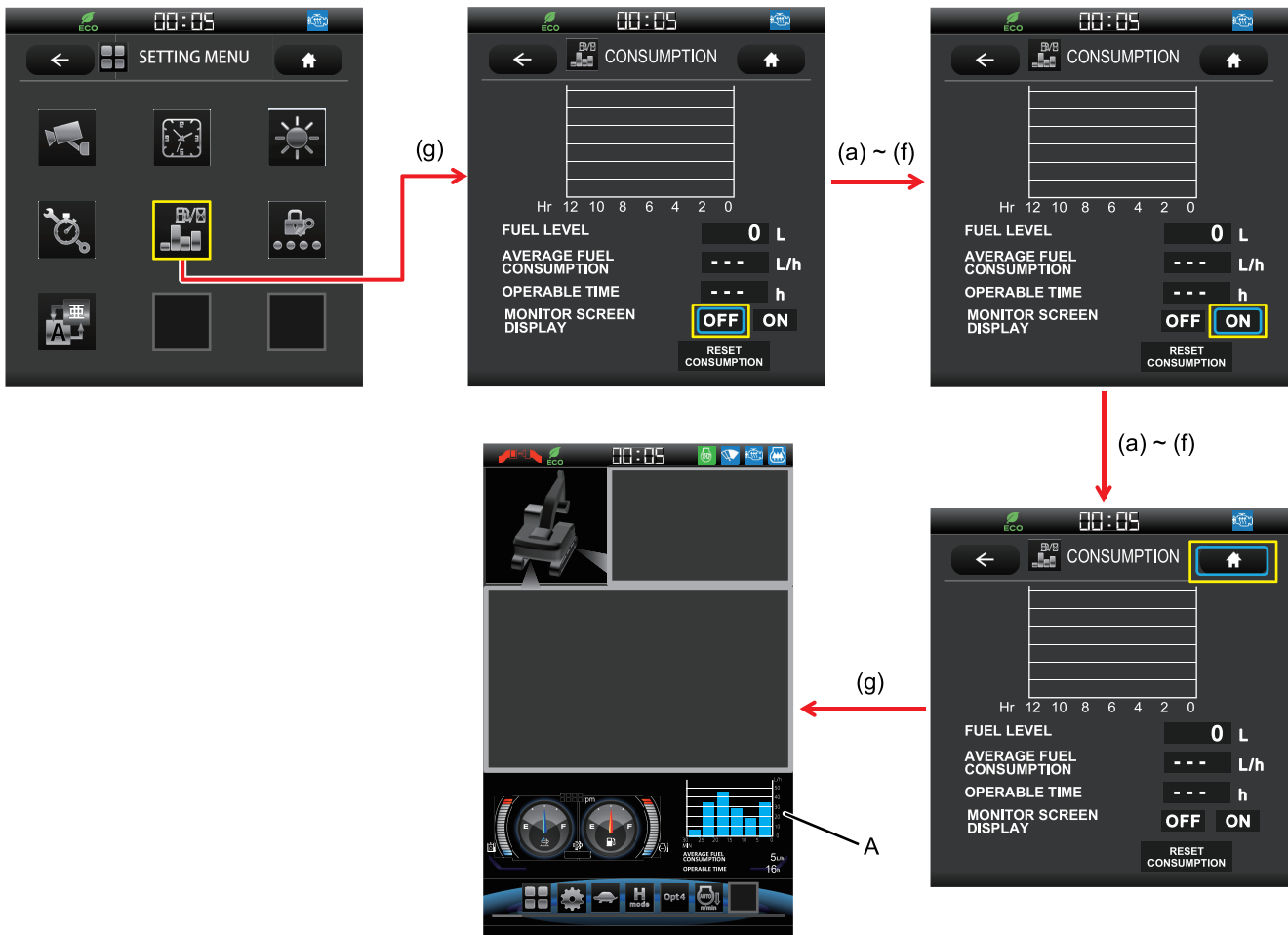
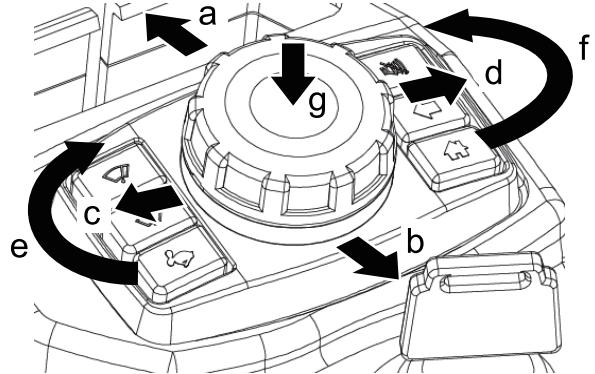
#### Jog dial operation

##### Tilting (a,b,c,d) and rotating (e,f) the jog dial

To move the cursor on the monitor and adjust the values and others.

##### Pushing down (g) the jog dial

- To switch the screen to the selected setting screen.
- To determine the adjusted value and others.



1. Switch the monitor to the [SETTING MENU] screen.
2. Tilt and turn the jog dial to move the cursor to [CONSUMPTION] on the [SETTING MENU] screen.
3. Push down (g) the jog dial to switch the monitor to the [CONSUMPTION] screen.
4. Tilt and turn the jog dial to move the cursor to [ON] of [MONITOR SCREEN DISPLAY]
5. Push down (g) the jog dial to switch the setting to [ON].
6. Move the cursor to [HOME].
7. Push down (g) the jog dial to switch the monitor to the normal screen.  
The normal screen displays the consumption graph (A).

START PASSWORD



This menu allows you to set a start password.

**Notice**

To use this function, the machine setting needs to be changed.  
If usage of this function is needed, contact your KOBELCO authorized dealer.

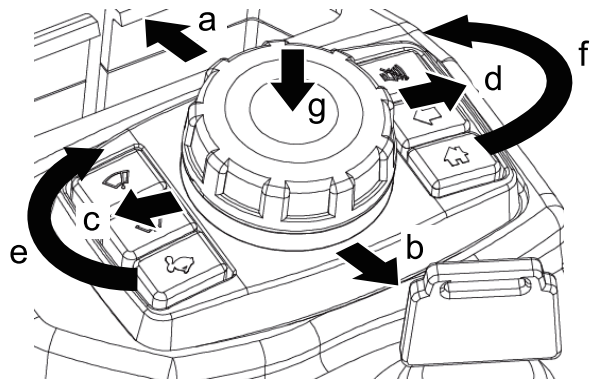
**Jog dial operation**

**Tilting (a,b,c,d) and rotating (e,f) the jog dial**

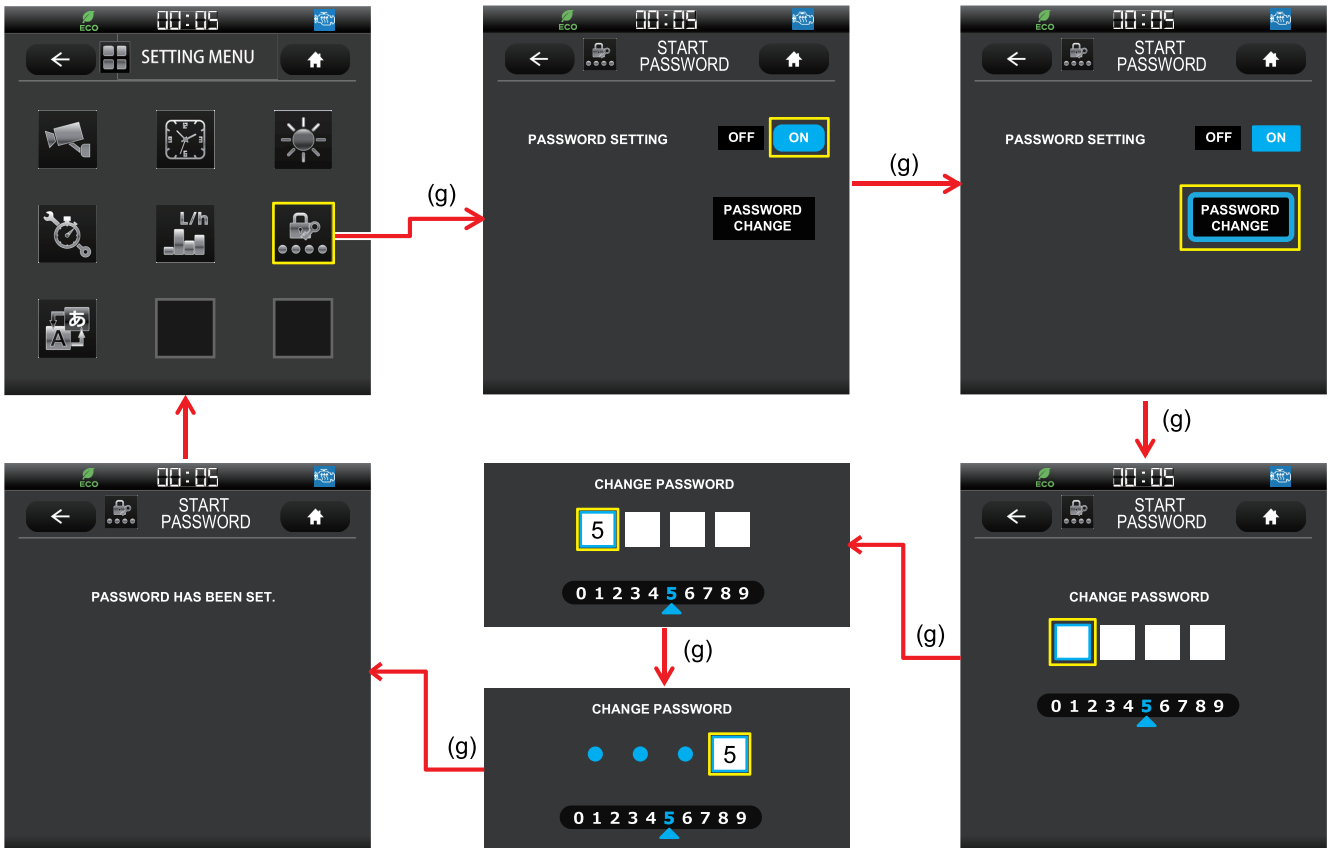
To move the cursor on the monitor and adjust the values and others.

**Pushing down (g) the jog dial**

- To switch the screen to the selected setting screen.
- To determine the adjusted value and others.



Setting of password



1. Switch the monitor to the [SETTING MENU] screen.
2. Tilt and turn the jog dial to move the cursor to [START PASSWORD] on the [SETTING MENU] screen.
3. Push down (g) the jog dial to switch the monitor to the [START PASSWORD] screen.
4. Tilt and turn the jog dial to move the cursor to [ON].

## [2. MACHINE FAMILIARIZATION]

---

5. Push down (g) the jog dial to switch the setting to [ON].
6. Tilt and turn the jog dial to move the cursor to [PASSWORD CHANGE].
7. Push down (g) the jog dial to switch the monitor to the password setting screen.
8. Tilt and turn the jog dial to a desired number.
9. Push down (g) the jog dial to determine the number.
10. Determine the 4th number to set the password and then the monitor is returned to the [SETTING MENU] screen.

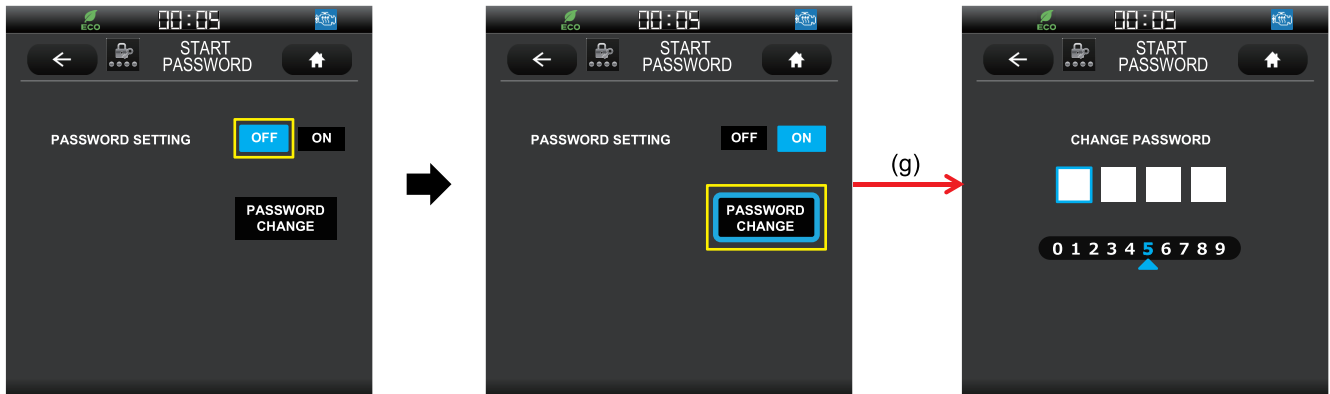
### Cancellation/change of password

---

#### Notice

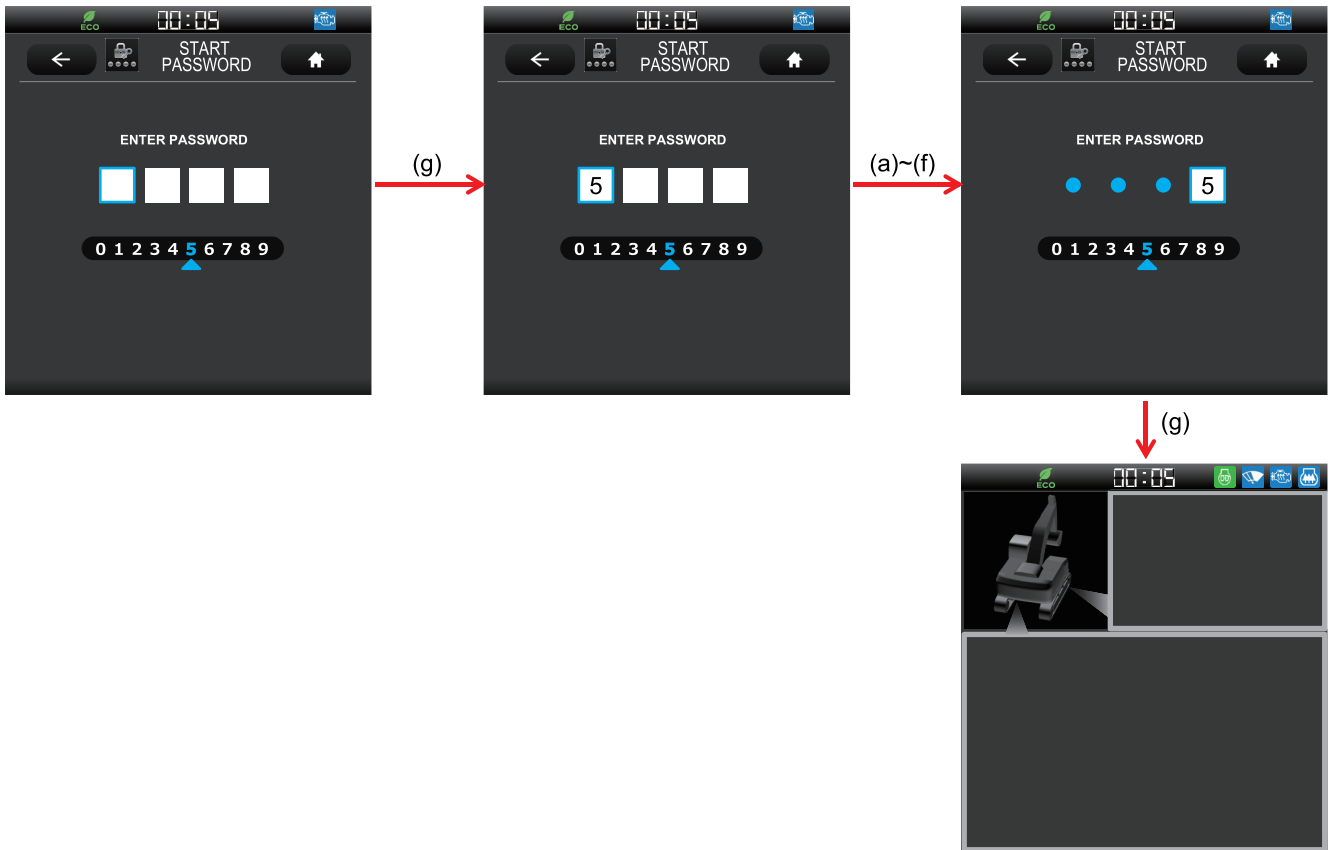
If the password is locked, [PASSWORD IS LOCKED] appears on the screen.  
In that case, the password cannot be cancelled/changed.

---



1. Turn [OFF] [PASSWORD SETTING] to cancel the password.
2. Turn [PASSWORD SETTING] to [ON].
3. Tilt and turn the jog dial to move the cursor to [CHANGE PASSWORD].
4. Push down (g) the jog dial to switch the monitor to the password setting screen.
5. Change the password.

After password setting

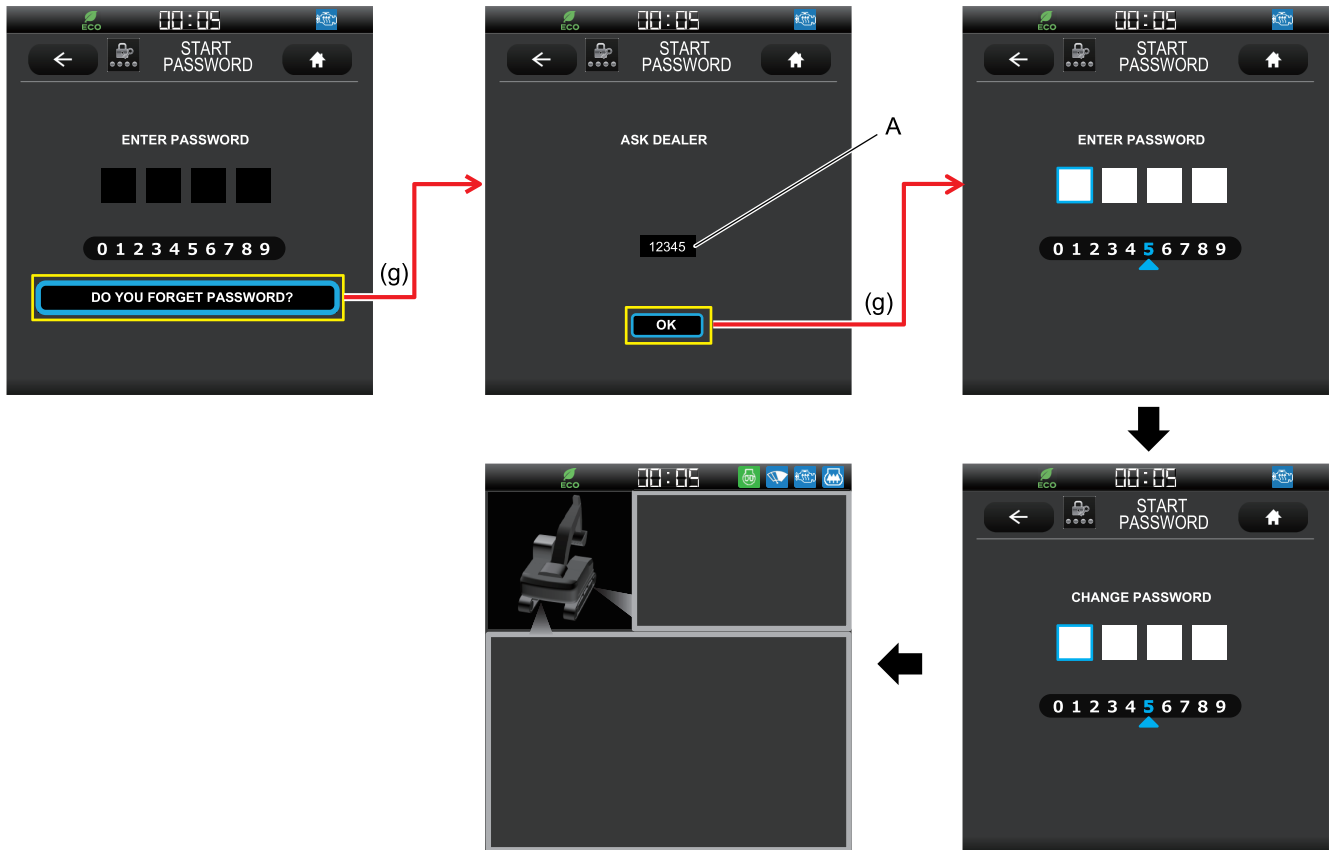


1. After the starter switch is turned [ON], the [START PASSWORD] screen is displayed.
2. Tilt and turn the jog dial to the set numbers.
3. Push down (g) the jog dial to determine the number.
4. Determine the 4th number, and then the normal screen is displayed.
5. Engine start becomes possible.

2

## [2. MACHINE FAMILIARIZATION]

### In case of forgetting password



1. If a wrong password is input for 3 times, [DO YOU FORGET PASSWORD?] appears on the screen.
2. Tilt and turn the jog dial to move the cursor to [DO YOU FORGET PASSWORD?].
3. Push down (g) the jog dial to switch the screen and then five-digit number (A) is displayed.
4. Record that 5-digit number and contact your KOBELCO authorized dealer. Your KOBELCO authorized dealer will notify you of a one-time password.
5. Tilt and turn the jog dial to move the cursor to [OK].
6. Push down (g) the jog dial to switch the screen to the password inputting screen.
7. Input the one-time password to enter the password setting screen.
8. After the password is changed, the screen is changed to the normal screen.



LANGUAGE SELECTION



This menu allows you to set the language displayed on the monitor.

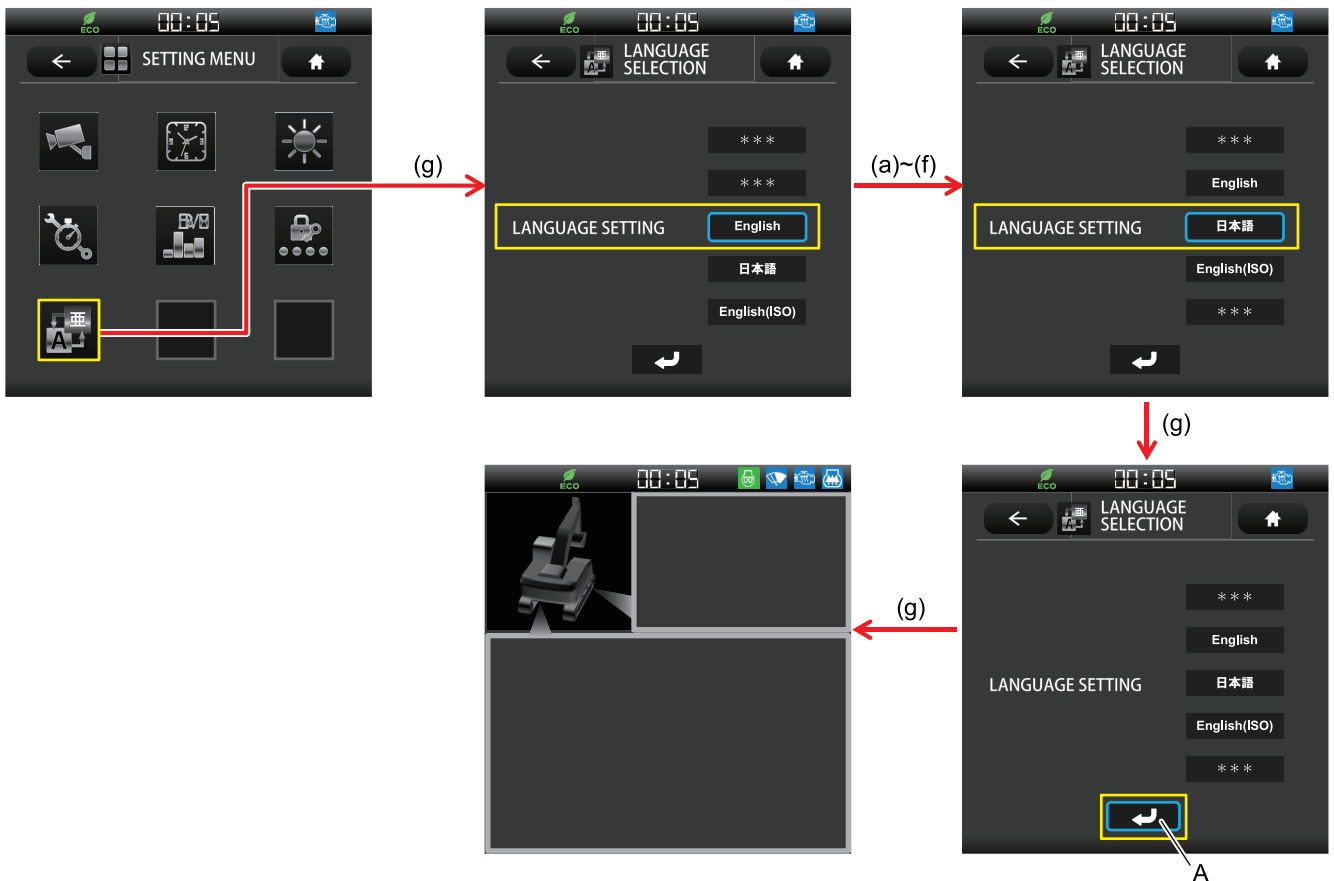
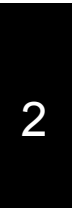
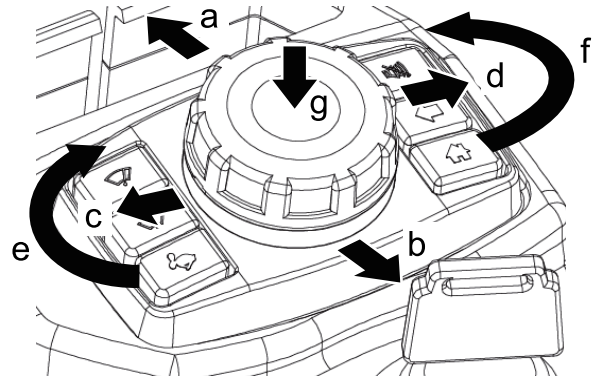
**Jog dial operation**

**Tilting (a,b,c,d) and rotating (e,f) the jog dial**

To move the cursor on the monitor and adjust the values and others.

**Pushing down (g) the jog dial**

- To switch the screen to the selected setting screen.
- To determine the adjusted value and others.



1. Switch the monitor to the [SETTING MENU] screen.
2. Tilt and turn the jog dial to move the cursor to [LANGUAGE SELECTION] on the [SETTING MENU] screen.
3. Push down (g) the jog dial to switch the monitor to the [LANGUAGE SELECTION] screen.
4. Tilt and turn the jog dial to move the cursor to [LANGUAGE SETTING].
5. Push down (g) the jog dial to enable the language to be selectable.
6. Tilt and turn the jog dial to select a desired language.
7. Push down (g) the jog dial to set the selected language.
8. Move the cursor to [HOME]
9. Push down (g) the jog dial to return the monitor to the [SETTING MENU] screen.

### PRESSURE RELEASE



This menu allows you to release the internal pressure of the hydraulic circuit.  
See "RELEASING INTERNAL PRESSURE IN HYDRAULIC SYSTEM" in Chapter 4 for details.

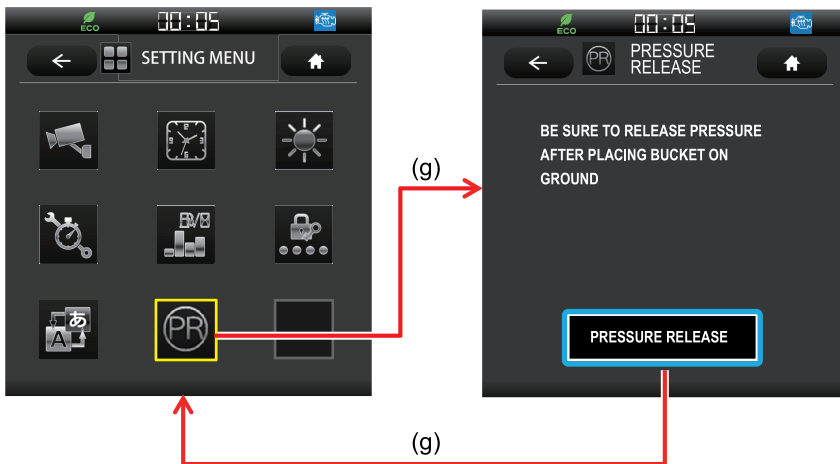
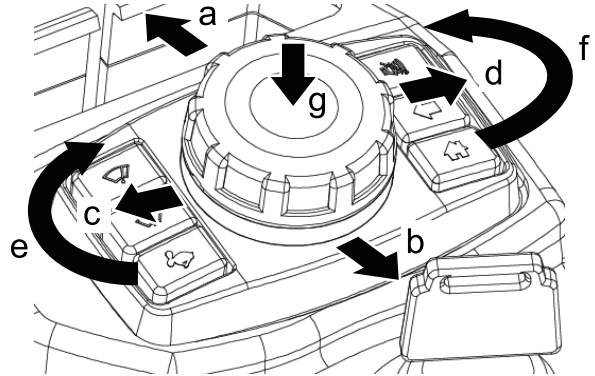
#### Jog dial operation

##### Tilting (a,b,c,d) and rotating (e,f) the jog dial

To move the cursor on the monitor and adjust the values and others.

##### Pushing down (g) the jog dial

- To switch the screen to the selected setting screen.
- To determine the adjusted value and others.



1. Switch the monitor to the [SETTING MENU] screen.
2. Tilt and turn the jog dial to move the cursor to [PRESSURE RELEASE] on the [SETTING MENU] screen.
3. Push down (g) the jog dial to set the machine to the pressure release mode.

### 2.3.11 SWITCH SETTING SCREEN

**Notice**

When the control lock lever is raised upward to the "LOCKED" position, setting for changing the screen becomes possible.

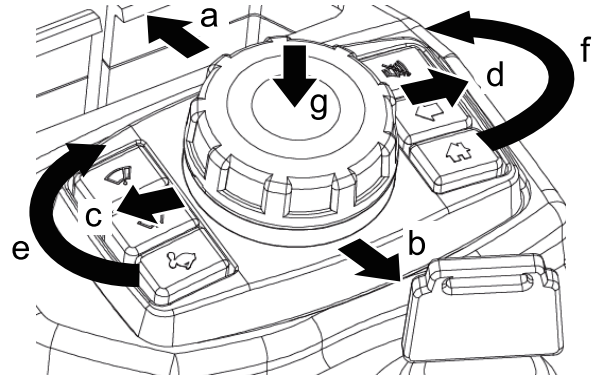
**Jog dial operation**

**Tilting (a,b,c,d) and rotating (e,f) the jog dial**

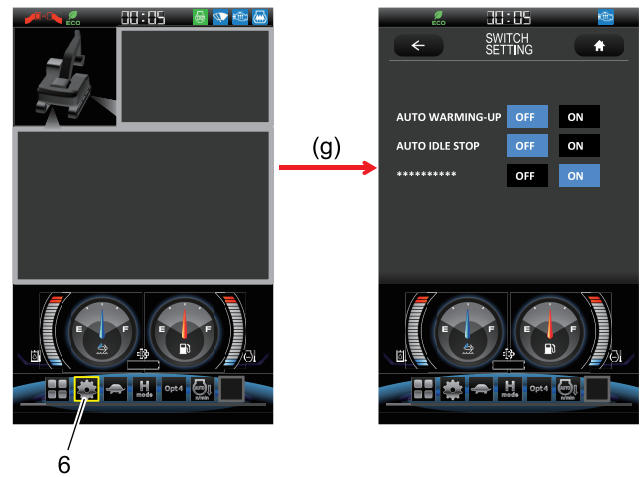
To move the cursor on the monitor and adjust the values and others.

**Pushing down (g) the jog dial**

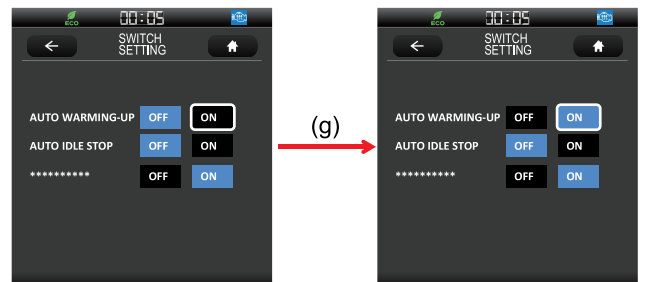
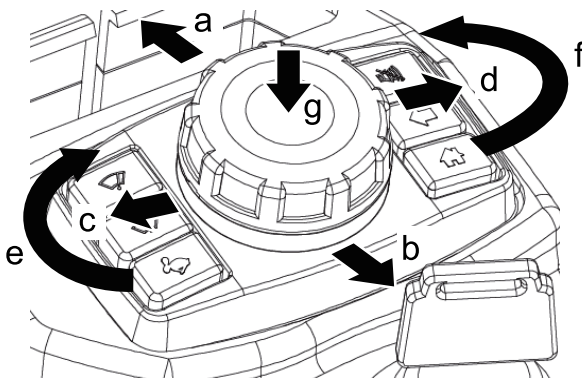
- To switch the screen to the selected setting screen.
- To determine the adjusted value and others.



1. Tilt and turn the jog dial to move the cursor to switch setting (6) on the monitor.
2. Push down (g) the jog dial to switch the monitor to the [SWITCH SETTING] screen.



**Auto warming up setting**



1. Tilt and turn the jog dial to move the cursor to [ON] of [AUTO WARMING-UP].
2. Push down (g) the jog dial to switch the setting to [ON].
3. Turn "OFF" the starter key switch once to store the setting.



## [2. MACHINE FAMILIARIZATION]

### Notice

Once "AUTO WARM-UP/ON" is set, there is no need to set it again.

4. Pull up the control lock lever to the "LOCKED" position.
5. When the engine is started in cold condition, auto warming-up starts. During warming-up of the hydraulic oil, the icon is indicated on the monitor.

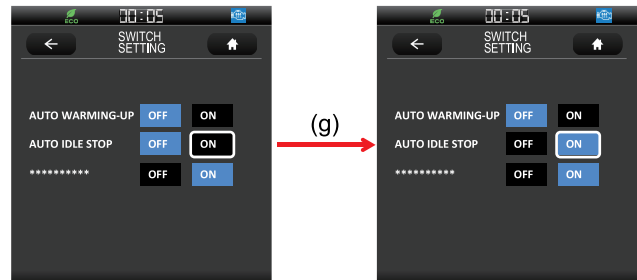
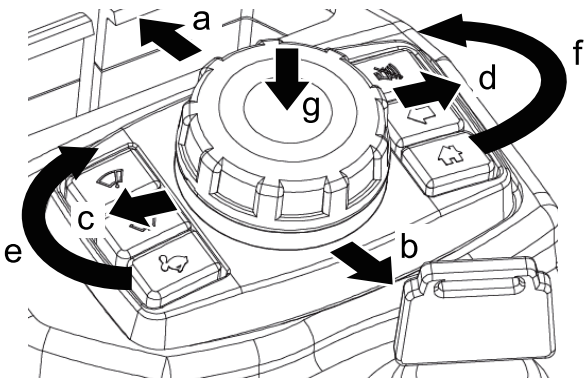


### Notice

- If "AUTO WARM-UP" is changed to [OFF] during hydraulic oil warming-up, the warming-up operation is forced to stop.
- In the hydraulic oil warming-up, if the control lever is operated, the warming-up operation is interrupted tentatively. Then the warming-up operation starts again, if the neutral lever condition continues for about 10 seconds.

6. After the warming-up operation, "WARM-UP FINISHED" is displayed and the buzzer sounds for 5 seconds to tell the completion of the warming-up operation.

### Setting of auto idle stop



1. Tilt and turn the jog dial to move the cursor to [ON] of [AUTO IDLE STOP].
2. Push down (g) the jog dial to switch the setting to [ON].
3. Turn "OFF" the starter key switch once to store the status.
4. After the starter switch is turned "ON", the icon is displayed on the monitor.

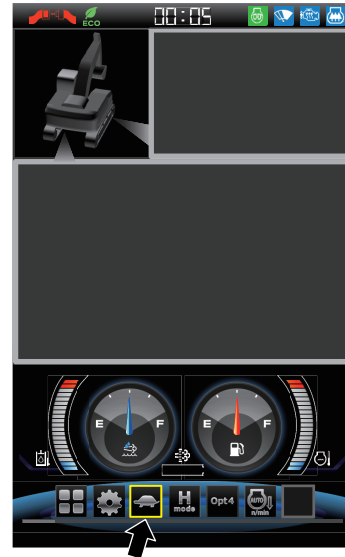
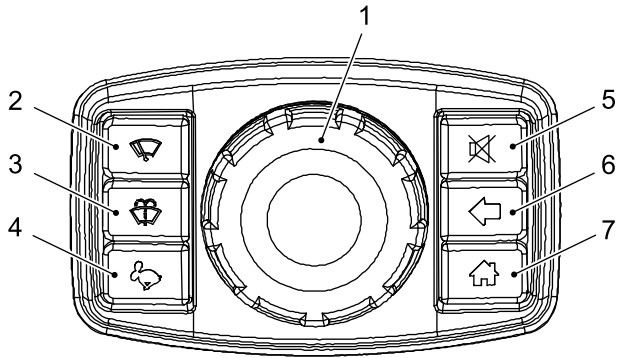


2.3.12 TRAVEL SPEED SELECTION



ABOUT TRAVEL SPEED

The travel speed should be set to the LOW (1st) speed when the machine is traveling on a downhill, or being loaded to/unloaded from a trailer. A sudden change of the machine stability could cause personal injury.



Each time the engine is started, the travel speed is automatically set to the LOW 1st (turtle) speed. Press switch (4) on the control panel and then the travel speed changes to the HIGH (2nd) speed and the icon displayed on the monitor changes to the HIGH (2nd) speed (rabbit).

LOW 1st speed: turtle



Set to LOW 1st speed when moving the machine on the rough or soft ground, slope, or in the narrow place, or when powerful tractive force is required.

HIGH 2nd speed: rabbit



Set to HIGH 2nd speed when moving the machine on a level and firm ground.

**Notice**

The HIGH (2nd) speed is automatically switched to the LOW (1st) speed when the load of traveling becomes high and automatically returned to the HIGH (2nd) speed when the load is lowered.



## 2.3.13 WORK MODE SELECTION

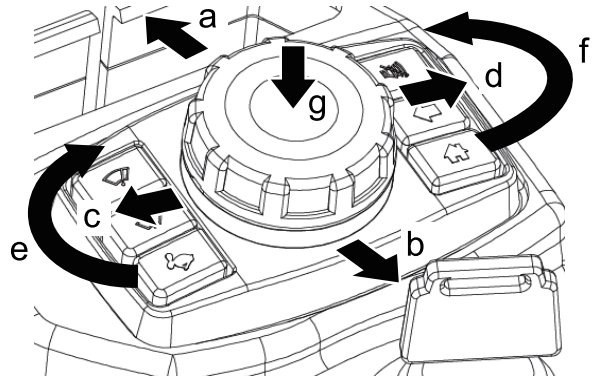
### Jog dial operation

#### Tilting (a,b,c,d) and rotating (e,f) the jog dial

To move the cursor on the monitor and adjust the values and others.

#### Pushing down (g) the jog dial

- To switch the screen to the selected setting screen.
- To determine the adjusted value and others.



Select a proper work mode from three modes shown below according to the work condition and purpose. Move the cursor to [work mode selection] (8) and push down (g) the jog dial to switch the mode.

#### S mode:

"S mode" is suitable for a standard digging work and loading operations. It provides good fuel consumption and is well-balanced with a workload.

#### ECO mode:

"ECO mode" focuses on reduced fuel consumption operation.

#### H mode:

"H mode" is suitable for a heavy digging work, which provides high speed and gives priority to a workload.










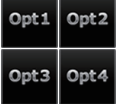
8



Before beginning the work, make sure the selected work mode is correct.

### 2.3.14 SWITCHING ATTACHMENT MODE

Select an appropriate mode to use according to the attachment installed.

Display	Attachment mode	Summary
	Bucket	This mode needs to be selected for digging work.
	Breaker	This mode needs to be selected when an attachment using a single flow circuit such as a breaker is installed.
	Nibbler (crusher)	This mode needs to be selected when a hydraulic crusher such as a nibbler is installed.
	Rotary grapple	This mode is designed considering the operation such as a grapple.
	Processor	This mode is designed considering the operation such as a processor.
	Thumb bucket	This mode is designed considering the operation such as a thumb bucket.
	Rotary tilt	This mode is designed considering the operation such as a rotary tilt.
	Individual setting	This mode can be customized for an attachment other than those mentioned above.

#### CAUTION

- When the attachment mode is inappropriate, select a proper attachment mode.
- Always select the breaker mode when operating a breaker. Working in a mode other than the breaker mode causes damages to the hydraulic components and/or the breaker.
- Be sure to lower the attachment to the ground and ensure safety before switching the attachment mode.

#### Notice

- If tuning of operability is needed, contact your KOBELCO authorized dealer.
- When the control lock lever is raised upward to the "LOCKED" position, setting for changing the screen becomes possible.

## [2. MACHINE FAMILIARIZATION]

### ATTACHMENT MODE SELECTION

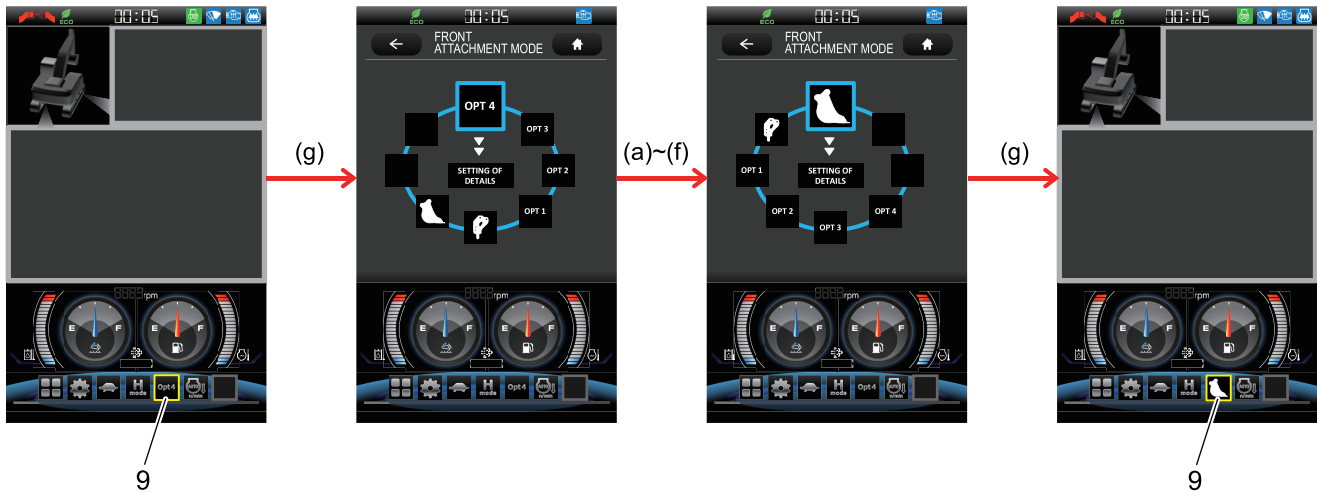
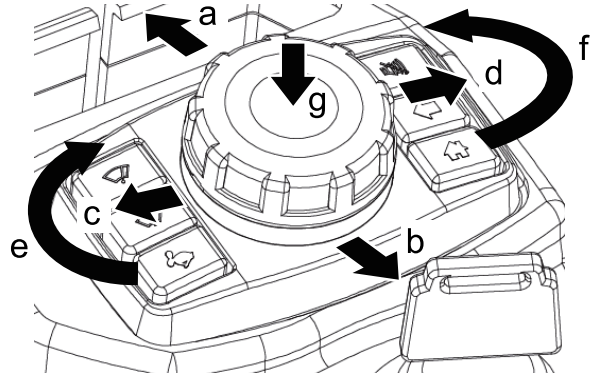
#### Jog dial operation

##### Tilting (a,b,c,d) and rotating (e,f) the jog dial

To move the cursor on the monitor and adjust the values and others.

##### Pushing down (g) the jog dial

- To switch the screen to the selected setting screen.
- To determine the adjusted value and others.



1. Tilt and turn the jog dial to move the cursor to attachment mode selection (9) on the monitor.
2. Push down (g) the jog dial to switch the monitor to the [FRONT ATTACHMENT MODE] screen.
3. Tilt and turn the jog dial to move the cursor to the icon of the front attachment being installed.
4. Push down (g) the jog dial to switch the icon of attachment mode selection (9) to the icon of the selected attachment.



SETTING OF ATTACHMENT MODE DETAILS

**Notice**

Adjust them to a proper set value matching with an attachment to be used.

Flow rate adjustment

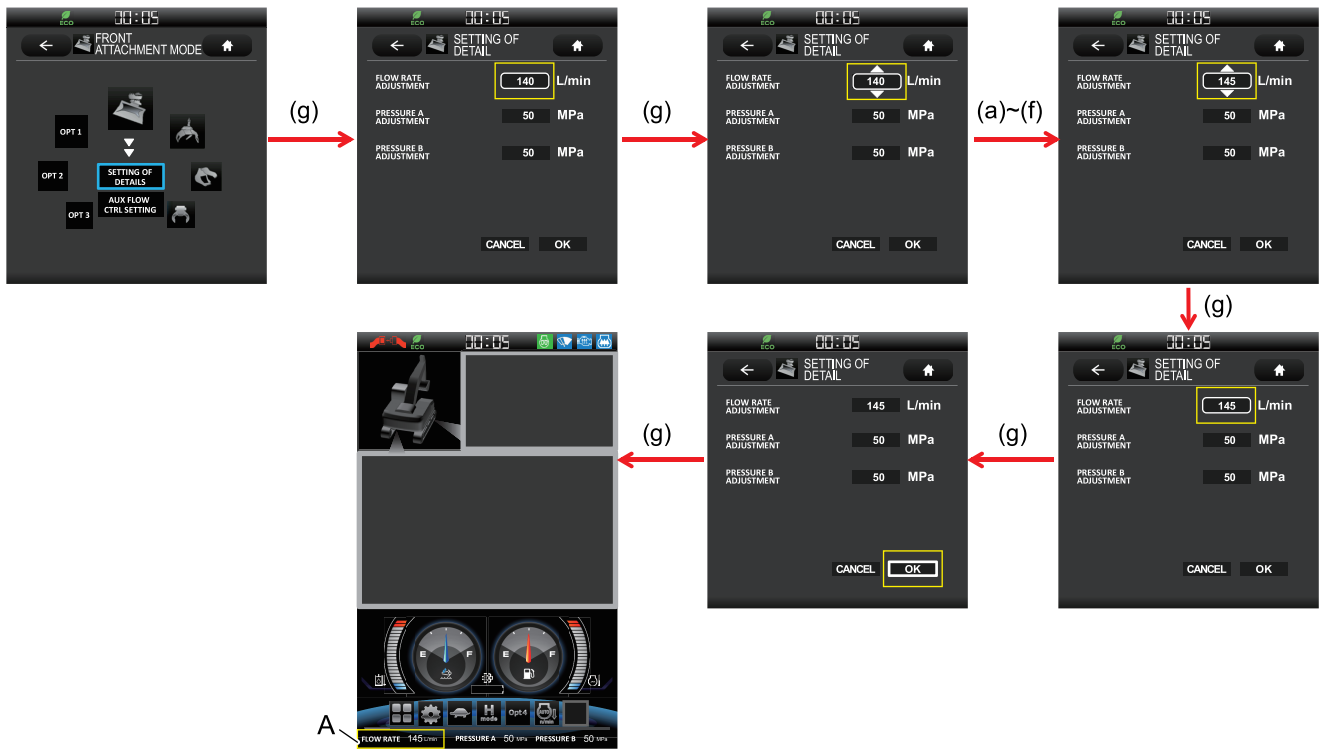
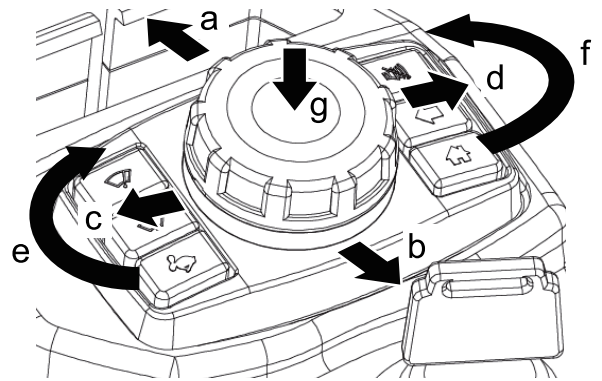
**Jog dial operation**

**Tilting (a,b,c,d) and rotating (e,f) the jog dial**

To move the cursor on the monitor and adjust the values and others.

**Pushing down (g) the jog dial**

- To switch the screen to the selected setting screen.
- To determine the adjusted value and others.



1. Move the cursor to [SETTING OF DETAIL] of the selected icon.
2. Push down (g) the jog dial to switch the monitor to the [SETTING OF DETAIL] screen.
3. Tilt and turn the jog dial to move the cursor to [FLOW RATE ADJUSTMENT].
4. Push down (g) the jog dial to enable the flow rate to be adjustable.
5. Tilt and turn the jog dial to a desired value.
6. Push down (g) the jog dial to set the desired flow rate.
7. Tilt and turn the jog dial to move the cursor to [OK].
8. Push down (g) the jog dial to return the monitor to the normal screen.  
Set value (A) is displayed on the lower side of the screen.

## [2. MACHINE FAMILIARIZATION]

### PRESSURE ADJUSTMENT

#### Notice

When a breaker is installed, perform only [PRESSURE B ADJUSTMENT].

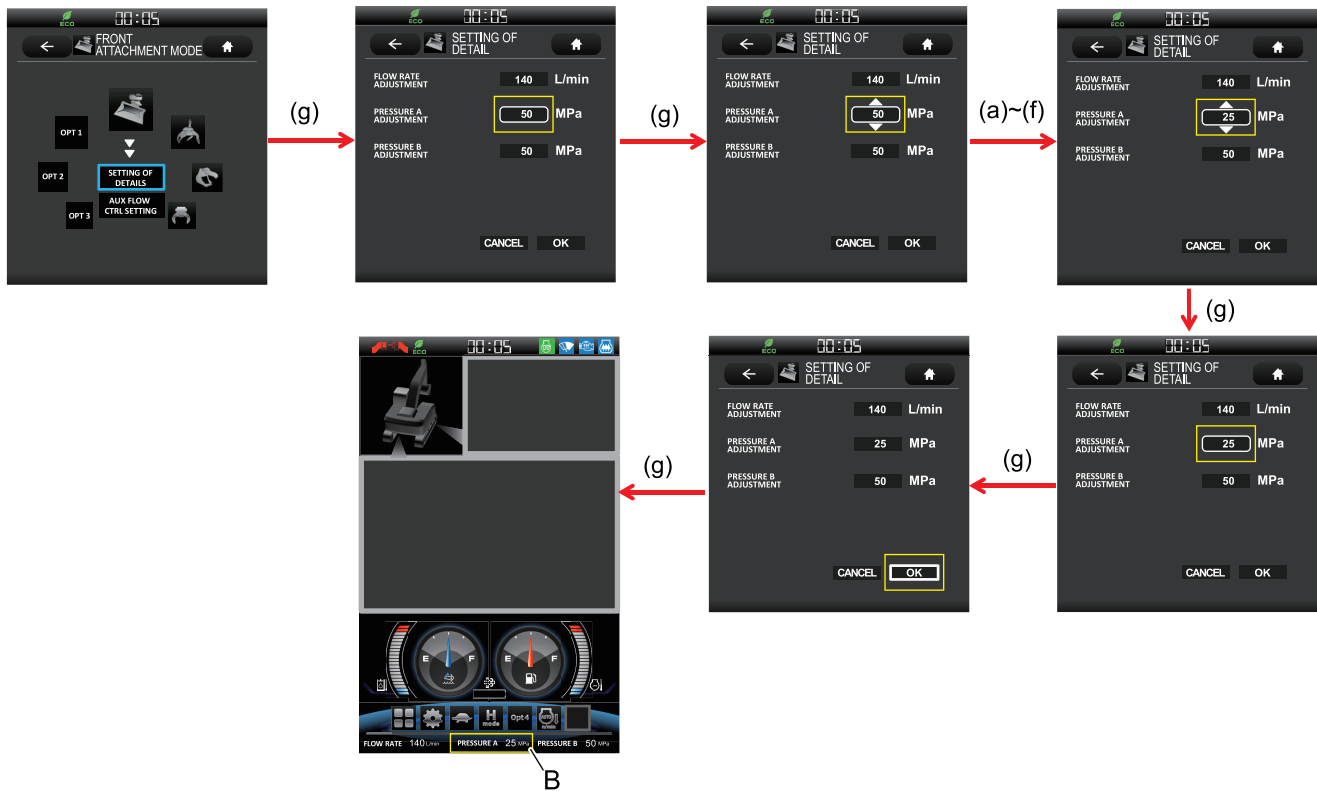
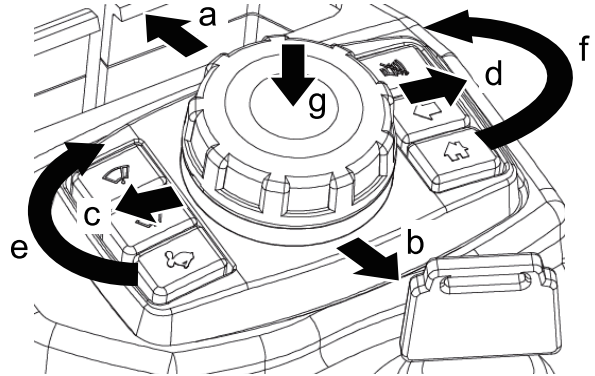
#### Jog dial operation

##### Tilting (a,b,c,d) and rotating (e,f) the jog dial

To move the cursor on the monitor and adjust the values and others.

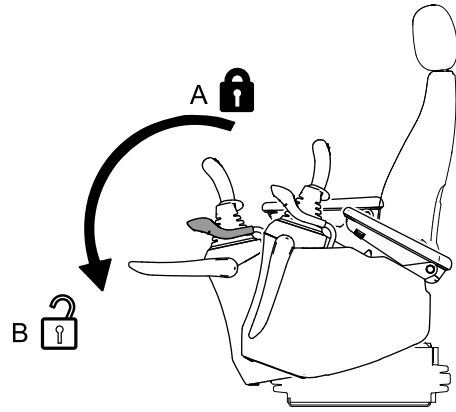
##### Pushing down (g) the jog dial

- To switch the screen to the selected setting screen.
- To determine the adjusted value and others.



1. Move the cursor to [SETTING OF DETAIL] of the selected icon.
2. Push down (g) the jog dial to switch the monitor to the [SETTING OF DETAIL] screen.
3. Tilt and turn the jog dial to move the cursor to [PRESSURE A ADJUSTMENT] or [PRESSURE B ADJUSTMENT].
4. Push down (g) the jog dial to enable the flow rate to be adjustable.

5. Push down the control lock lever to "UNLOCKED" position (B).
6. Operate the subject front attachment for adjustment to perform relief operation.  
If it is not operated, "0" is displayed.
7. Tilt and turn the jog dial to a desired value.
8. Push down (g) the jog dial to set the desired pressure.
9. Tilt and turn the jog dial to move the cursor to [OK].
10. Push down (g) the jog dial to return the monitor to the normal screen.  
Set value (B) is displayed on the lower side of the screen.



## [2. MACHINE FAMILIARIZATION]

### SETTING LIMIT OF AUX FLOW RATE OF ATTACHMENT MODE (ROTARY TILT)

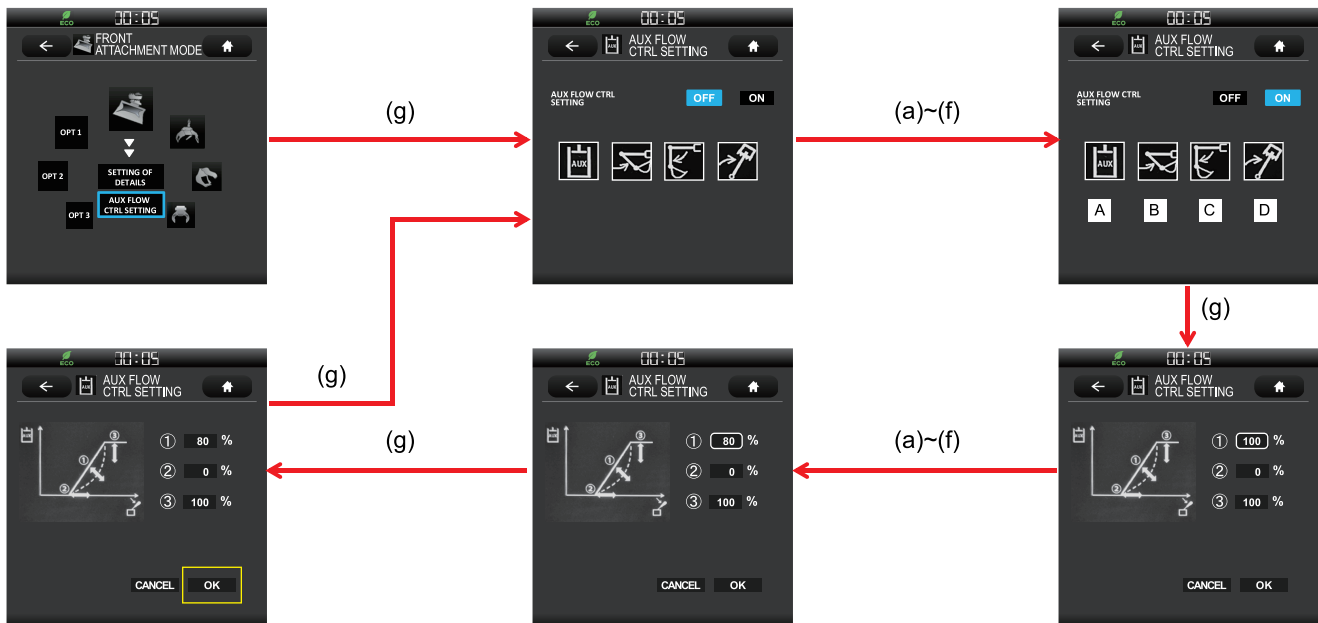
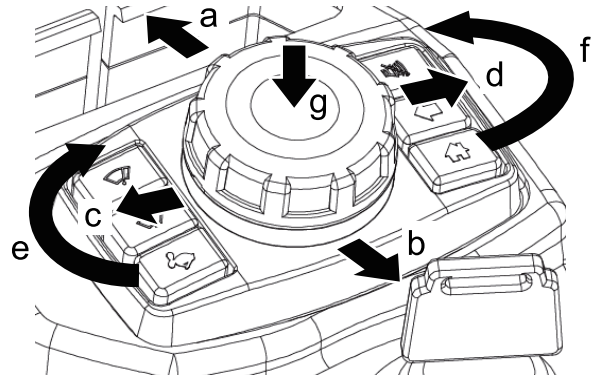
#### Jog dial operation

##### Tilting (a,b,c,d) and rotating (e,f) the jog dial

To move the cursor on the monitor and adjust the values and others.

##### Pushing down (g) the jog dial

- To switch the screen to the selected setting screen.
- To determine the adjusted value and others.



1. Move the cursor to [AUX FLOW CTRL SETTING] of the icon of the rotary tilt mode.
2. Push down (g) the jog dial to switch the monitor to the [AUX FLOW CTRL SETTING] screen.
3. Move the cursor to [ON] of [AUX FLOW CTRL SETTING].
4. Push down (g) the jog dial to switch the setting to [ON].
5. Tilt and turn the jog dial to move the cursor to a desired item to set.
6. Push down (g) the jog dial to enable the selected item to be adjustable.

Item	Adjusting operation pattern	Item possible to be adjusted *
A	Independent operation of rotary tilt	(1), (2)*, (3)*
B	Rotary tilt + arm in combined operation	(1)
C	Rotary tilt + arm out combined operation	(1)
D	Rotary tilt + swinging combined operation	(1)

#### Notice

\*(2) and (3) can be adjusted only at item A but the adjusted value affects the operability of items B, C, and D.

7. Tilt and turn the jog dial to a desired value.

Item	Adjusting item	Function
(1)	Transient property	Adjusts the flow rate increment per unit time (reaction ability for operation) when the attachment for adjustment is operated.
(2)	Starting point	Adjusts the lever displacement until the attachment starts moving.
(3)	Maximum flow rate	Adjusts the limit of the maximum flow rate when the control lever is operated.

8. Push down (g) the jog dial to set the desired value.
9. Tilt and turn the jog dial to move the cursor to [OK].
10. Push down (g) the jog dial to return the monitor to the [AUX FLOW CTRL SETTING] screen.

### 2.3.15 AUTO ACCELERATION ON/OFF SELECTION



#### Warning Loading/unloading the machine

When loading or unloading the machine on a trailer, turn the auto acceleration switch off. If it is operated while the acceleration switch is on, the engine speed changes suddenly.

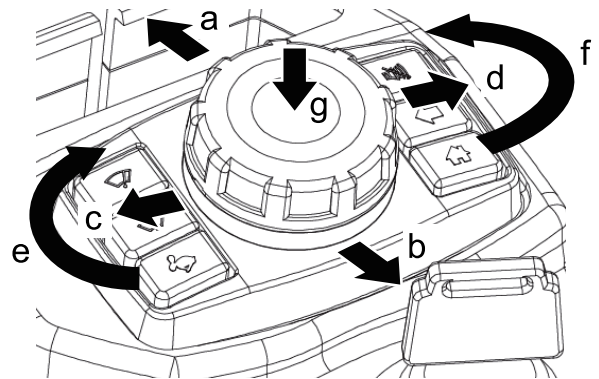
#### Jog dial operation

##### Tilting (a,b,c,d) and rotating (e,f) the jog dial

To move the cursor on the monitor and adjust the values and others.

##### Pushing down (g) the jog dial

- To switch the screen to the selected setting screen.
- To determine the adjusted value and others.



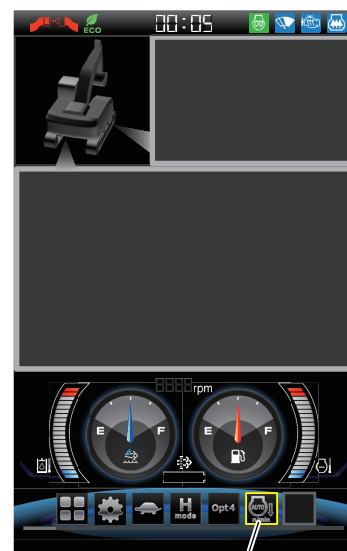
Move the cursor to auto acceleration (9) and push down (g) the jog dial to turn [ON] and actuate the auto acceleration.

When the jog dial is pushed down (g) again, it becomes [OFF] and then the auto acceleration is canceled. It sets the engine speed to low under the following conditions.

- When the acceleration dial position is set at a higher value than the range of the idle speed.
- When the control levers and/or pedals are not operated for 4 seconds or more.

When the control levers and/or pedals are operated, the engine speed rises back to the set level of the acceleration dial gradually according to the amount of operation of the lever and/or pedals.

If the switch (9) is pressed to turnoff during the auto acceleration operation, the engine speed rises back to the set level of the acceleration dial gradually.



9

#### Notice

After key OFF, even if the machine is restarted, the setting is stored.

## 2.3.16 SETTING OF OVER LOAD ALARM

When lifting operation is performed, change the setting of over load alarm to [ON].

After it is turned [ON], the warning will sound when the load being lifted is close to the maximum load of each working range.

As for the lifting procedures, see "LIFTING WORK" in Chapter 8.

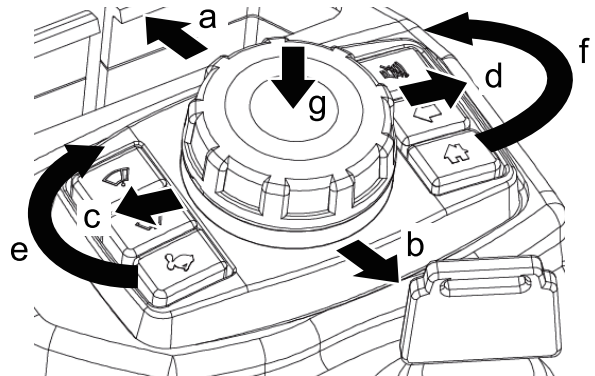
### Jog dial operation

#### Tilting (a,b,c,d) and rotating (e,f) the jog dial

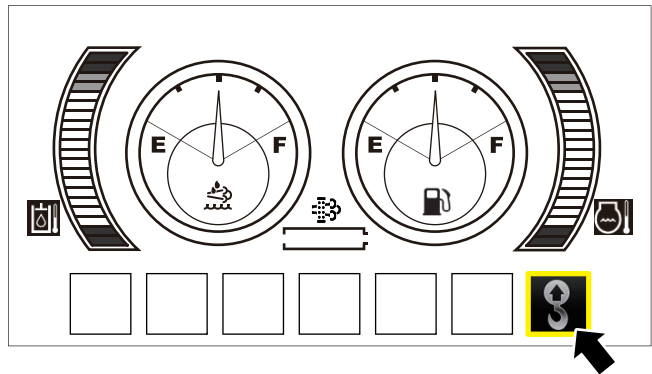
To move the cursor on the monitor and adjust the values and others.

#### Pushing down (g) the jog dial

- To switch the screen to the selected setting screen.
- To determine the adjusted value and others.



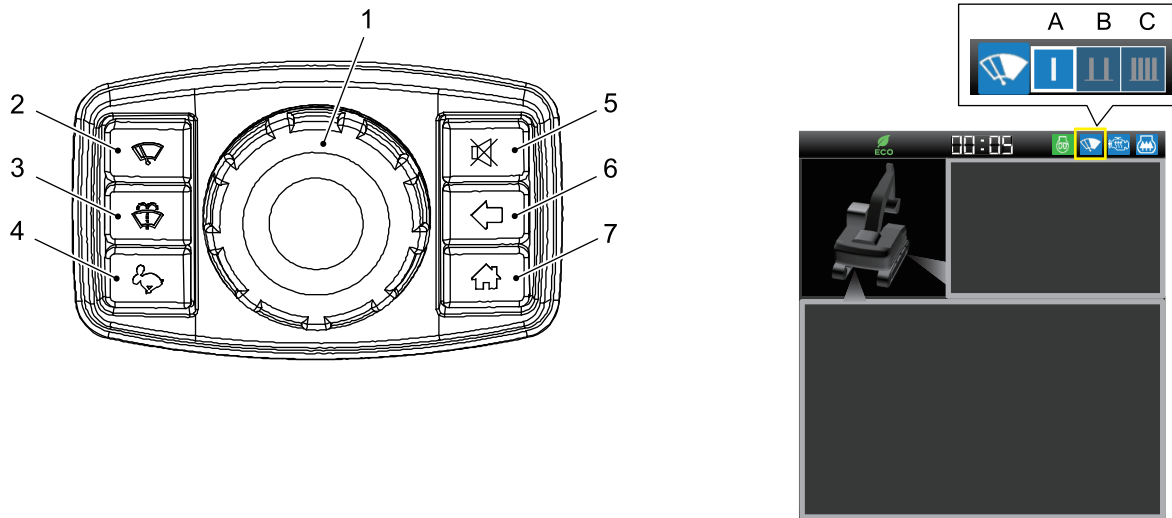
1. Tilt and turn the jog dial to move the cursor to the over load alarm.
2. Push down (g) the jog dial to switch the setting to [ON].
3. When the jog dial is pushed down (g) again, it becomes [OFF] and then the over load alarm is canceled.



### 2.3.17 WIPER SWITCH

Push switch (2) to actuate the wiper of the front window.

Within 10 seconds after pushing switch (2), operate jog dial (1) and select a desired function.



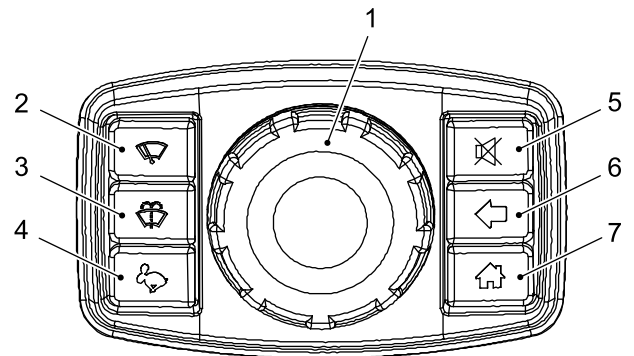
Symbol	Function
A	The wiper works one time.
B	The wiper works intermittently.
C	The wiper works continuously.

If switch (2) is pushed one more again, the wiper stops.

### 2.3.18 WASHER SWITCH

While switch (3) is being pressed, the washer fluid is sprayed through the nozzle of front window.

The washer fluid reservoir is located under the floor plate inside the cab.

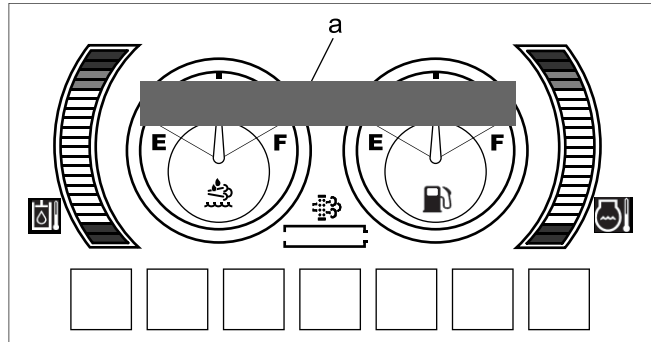
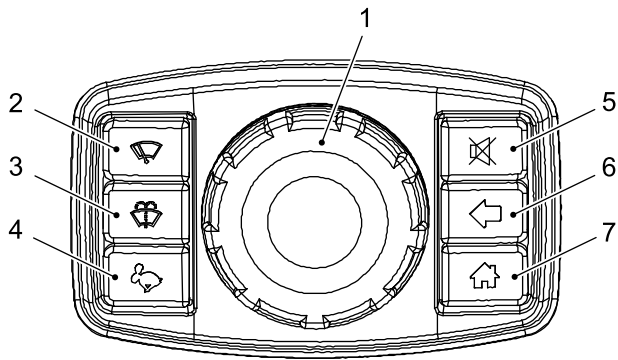


**Notice**

Make sure that the washer reservoir is filled with the washer fluid before operating the washer.

### 2.3.19 BUZZER STOP SWITCH

When warning (a) is displayed on the monitor and the buzzer sounds, press buzzer stop switch (5) to stop the buzzer of the items shown in the table.



#### Items in the Warning Display Lists

##### Warning Level and Its Description

Level	Description
1	This is largely-concerned with the safety and machine movement. Stop the machine immediately and perform inspection and maintenance.
2	This notifies of the mode change of the machine.
3	This may lead to the failure of the machine. Immediately perform inspection and maintenance.
4	Difficulty may occur in working. Immediately perform inspection and maintenance.
5	This notifies of the machine status and maintenance.

##### Buzzer sound type

Buzzer sound type	Sounds
Type 1	Continuous
Type 2	Sound 0.2 seconds, stop 0.3 seconds
Type 3	Sound 0.5 seconds, stop 0.5 seconds

##### Priority Group A

Level	Display	Warning Details	Buzzer				
			Auto Stop	Manual Stop	Type	Starter Key ON	Engine Running
1		Mechatronics Controller does not send data.	Unavailable	Available	3	○	○
1		The swing parking brake release switch is switched to the "RELEASE LOCK" position.	Available (5 sec.)	Available	2	○	○
1		An emergency stop is performed due to low engine oil pressure.	Available (5 sec.)	Unavailable	1	○	—

















Priority Group B

Level	Display	Warning Details	Buzzer				
			Auto Stop	Manual Stop	Type	Starter Key ON	Engine Running
1		Displayed when the selector valve malfunctions.	Unavailable	Available	2	—	○
1		Displayed when the DEF/AdBlue sensor detects the quality failure of DEF/AdBlue, and the machine becomes inoperable.	Unavailable	Unavailable	1	○	○
1		Displayed when the DEF/AdBlue level gauge shows Level 0 (no display), and the machine becomes inoperable.	Unavailable	Unavailable	1	○	○
1		Displayed when each device and sensor of NOx discharge control system fails or becomes abnormal, and the machine becomes inoperable. (The failure code is an example)	Unavailable	Unavailable	1	○	○
	P204F						
1		Displayed when the DEF/AdBlue dosing module fails or becomes abnormal, and the machine becomes inoperable. (The failure code is an example)	Unavailable	Unavailable	1	○	○
	P204F						
1		Displayed when the EGR valve fails or becomes abnormal, and the machine becomes inoperable. (The failure code is an example)	Unavailable	Unavailable	1	○	○
	P1459						
2	WARM	Displayed when automatic warming-up is done.	Available (5 seconds)	Unavailable	2	—	○
2		Displayed when soot is accumulated in DPF, and manual regeneration is necessary.	Unavailable	Available	3	—	○
2		Displayed when soot accumulated in DPF becomes Level 7 (Red) or more of the soot deposition meter, and manual regeneration is necessary.	Unavailable	Unavailable	2	—	○

2

## [2. MACHINE FAMILIARIZATION]

Level	Display	Warning Details	Buzzer				
			Auto Stop	Manual Stop	Type	Starter Key ON	Engine Running
2		Displayed when the DEF/AdBlue sensor detects the quality failure of DEF/AdBlue, and the engine output is limited.	Unavailable	Unavailable	2	○	○
2		Displayed when the DEF/AdBlue level gauge becomes Level 1 (Red), and the engine output is limited.	Unavailable	Unavailable	2	○	○
2		Displayed when each device and sensor of the NOx discharge control system fails or becomes abnormal, and the engine output is limited. (The failure code is an example)	Unavailable	Unavailable	2	○	○
	P204F						
2		Displayed when the DEF/AdBlue dosing module fails or becomes abnormal, and the engine output is limited. (The failure code is an example)	Unavailable	Unavailable	2	○	○
	P204F						
2		Displayed when the EGR valve fails or becomes abnormal, and the engine output is limited. (The failure code is an example)	Unavailable	Unavailable	2	○	○
	P1459						
2		Displayed when each device of NOx discharge control system or sensor fails or becomes abnormal, and the engine output is limited. (The failure code is an example)	Unavailable	Available	3	○	○
	P204F						
2		Displayed when the DEF/AdBlue dosing module fails or becomes abnormal, and the engine output is limited. (The failure code is an example)	Unavailable	Available	3	○	○
	P204F						
2		Displayed when the EGR valve fails or becomes abnormal, and the engine output is limited. (The failure code is an exam)	Unavailable	Available	3	○	○
	P1459						
3		Displayed when the DEF/AdBlue sensor detects the quality failure of DEF/AdBlue.	Unavailable	Available	3	○	○
3		Displayed when the DEF/AdBlue level gauge becomes Level 2 (Yellow).	Unavailable	Available	3→2※1	○	○
3		Displayed when the soot deposition meter level reaches 10 (Red), and no regeneration can be done.	Unavailable	Unavailable	2	—	○
3		Displayed when the engine oil pressure reduces, and disconnection is detected.	Unavailable	Available	2	○	○
3		Displayed when the engine coolant temperature rises.	Unavailable	Available	3	○	○
3		Displayed when the air cleaner element is clogged.	Unavailable	Available	3	○	○
3	I113	Self-diagnosis (failure on the pressure sensor, or the proportional valve, etc.)	Unavailable	Available	3	○	○

\*1: If the buzzer keeps sounding due to DEF/AdBlue not being refilled, the type of buzzer sound changes.

For details on SCR system related warnings, see "SCR SYSTEM AND DEF/ADBLUE" in Chapter 4 in the standard operation & maintenance manual.

## 2.3.20 WARNING DISPLAY SCREEN






### WHEN WARNINGS ARE DISPLAYED

A warning displayed on the multi-display may lead to severe trouble. Stop the operation immediately, investigate the causes and take proper measures.











- The warning display has the order of priority and when many troubles such as level 1 and 2 in priority (A) occurred at the same time, level 1 is displayed in priority to level 2.
- The start-up inspection should be performed according to not only the monitor but also the instructions in "MAINTENANCE".

### WARNING CLASSIFICATION CHART (PRIORITY A)

Display	Level	Warning Details	Required Actions
	1	Mechatro Controller does not send data.	Contact your KOBELCO authorized dealer for inspection/maintenance.
	1	The swing parking brake release switch is switched to the "RELEASE LOCK" position.	
	1	An emergency stop is performed due to low engine oil pressure.	












## [2. MACHINE FAMILIARIZATION]

### WARNING CLASSIFICATION CHART (PRIORITY B)













Display	Level	Warning Details	Required Actions
	1	Displayed when the selector valve malfunctions.	The attachment installed to the crusher or breaker specification machine does not match the selected attachment mode. Select an appropriate attachment mode by switching the attachment mode select switch. Breaker mode: When using a breaker Nibbler mode: When using a nibbler (crusher) Even when an adequate operation mode is selected and the indication of selector failure does not disappear, contact and ask your KOBELCO authorized dealer for inspection/maintenance.
	1	Displayed when DEF/AdBlue sensor detects the quality failure of DEF/AdBlue, and the machine becomes inoperable.	Refer to Chapter 3 "CHECKING DEF/AdBlue LEVEL AND REFILLING" and Chapter 4 "DRAINING DEF/AdBlue" to drain the contents of DEF/AdBlue tank, and refill DEF/AdBlue.
	1	Displayed when DEF/AdBlue level gauge becomes Level 0 (No display), and the machine becomes inoperable.	Refer to Chapter 3 "CHECKING DEF/AdBlue LEVEL AND REFILLING", and supply DEF/AdBlue until DEF/AdBlue level gauge becomes Level 3 (Green) or more.
 P204F	1	Displayed when each device and sensor of the NOx discharge control system fails or becomes abnormal, and the machine becomes inoperable. (The failure code is an example)	Contact your KOBELCO service shop.
 P204F	1	Displayed when DEF/AdBlue injection device fails or becomes abnormal, and the machine becomes inoperable. (The failure code is an example)	
 P1459	1	Displayed when the EGR valve fails or becomes abnormal, and the machine becomes inoperable. (The failure code is an example)	
	2	Displayed when the power boost switch (Yellow) on the upper grip of the right control lever is "ON". - Separate boom specification When operating nibbler (crusher) up (bucket out)	Displayed when the power boost switch (Yellow) on the upper grip of the right control lever is used.
WARM	2	Displayed when the automatic warming-up is done.	The warming-up operation of the engine and hydraulic oil are completed. Refer to "STARTING ENGINE" in "3. MACHINE OPERATION", and start the engine with proper procedures.
	2	Displayed when soot is accumulated in DPF, and manual regeneration is necessary.	Refer to Chapter 4 "ABOUT MANUAL REGENERATION", and perform manual regeneration.
 ※1	2	Displayed when regenerating DPF.	Refer to Chapter 4 "ABOUT AUTOMATIC REGENERATION" and "ABOUT MANUAL REGENERATION". If manual regeneration is in progress, wait until the display turns off.
	2	Displayed when soot accumulated in DPF becomes Level 7 (Red) or more of the soot deposition meter, and manual regeneration is necessary.	Refer to Chapter 4 "ABOUT MANUAL REGENERATION", and perform manual regeneration.

\*1: This mark is also displayed during machine operation, when occasional automatic soot combustion is performed.

See "ABOUT MANUAL REGENERATION" in Chapter 4.

Display	Level	Warning Details	Required Actions	
	2	Displayed when DEF/AdBlue sensor detects the quality failure of DEF/AdBlue, and the engine output is limited.	Refer to Chapter 3 "CHECKING DEF/AdBlue LEVEL AND REFILLING" and Chapter 4 "DRAINING DEF/AdBlue" to drain the contents of DEF/AdBlue tank, and refill DEF/AdBlue.	
	2	Displayed when DEF/AdBlue level gauge becomes Level 1 (Red), and the engine output is limited.		
 P204F	2	Displayed when each device and sensor of the NOx discharge control system fails or becomes abnormal, and the engine output is limited. (The failure code is an example)		
 P204F	2	Displayed when the DEF/AdBlue dosing module fails or becomes abnormal, and the engine output is limited. (The failure code is an example)		
 P1459	2	Displayed when the EGR valve fails or becomes abnormal, and the engine output is limited. (The failure code is an example)		
 P204F	2	Displayed when each device or sensor of NOx discharge control system fails or becomes abnormal, and the engine output is limited. (The failure code is an example).		
 P204F	2	Displayed when the DEF/AdBlue dosing module fails or becomes abnormal, and the engine output is limited. (The failure code is an example)		
 P1459	2	Displayed when the EGR valve fails or becomes abnormal, and the engine output is limited. (The failure code is an exam)		
	3	Displayed when DEF/AdBlue sensor detects the quality failure of DEF/AdBlue, and the engine output is limited.		Refer to Chapter 3 "CHECKING DEF/AdBlue LEVEL AND REFILLING", and Chapter 4 "DRAINING DEF/AdBlue" to drain the contents of DEF/AdBlue tank, and refill DEF/AdBlue.
	3	Displayed when DEF/AdBlue level gauge becomes Level 2 (Yellow).		
	3	Displayed when the soot deposition meter level reaches 10 (Red), and no regeneration can be done.	Contact your KOBELCO service shop.	

## [2. MACHINE FAMILIARIZATION]

Display	Level	Warning Details	Required Actions
	3	<ul style="list-style-type: none"> <li>- Displayed when the engine oil pressure is lower than a specified value, and the output reduction control is performed.</li> <li>- Displayed when a disconnection is detected.</li> </ul>	<ul style="list-style-type: none"> <li>- Stop the engine promptly, check the oil level, and disconnection place, and refill or replace the specified engine oil referring to "LUBRICANT, FUEL &amp; COOLANT SPECIFICATIONS", if required.</li> <li>- If this is displayed while engine stop, the wire may be disconnected, etc. Contact your KOBELCO authorized dealer for repair.</li> </ul>
	3	Displayed when the coolant temperature exceeds a specified value.	Stop operation, and lower the engine speed to the low idle speed to cool the engine. When the warning display does not disappear after a few minutes, stop the engine, and check the coolant level, fan belt tension, and radiator clogging.
	3	Displayed when the engine output reduces due to a clogged intake air filter.	Check and clean the filter. If necessary, replace the filter.
I113	3	Error code is displayed when failure occurred in the pressure sensor, proportional valve, etc.	Ask your KOBELCO authorized dealer for inspection/maintenance.
	4	<p>Battery failure. (High voltage/low voltage/insufficient charge)</p> <p>The battery is not charged adequately if the warning does not disappear after a while from the engine is started or if the warning is displayed while the engine is running.</p>	Check the usage condition of the electrical components and the charge circuit.
	4	The fuel is below a specified quantity.	Refill the specified fuel.
	5	Displayed when the temperature of hydraulic oil rises abnormally.	Stop operation, and ask your KOBELCO authorized dealer for inspection/maintenance.
WARM	5	Displayed during the automatic warming-up operation.	Automatic warming-up operation is being performed. Wait until "WARM FINISH WARM-UP" appears.
	5	The remaining time to the engine oil change becomes zero.	Refill the specified new engine oil with the specified quantity.
	5	Displayed when the key switch is turned to "START" position while the pilot control shut-off lever is down.	Set the key switch back to "ON" position, and secure safety by raising the pilot control shut-off lever. Turn the switch to "START" again to start the engine.
	5	Displayed when the remaining time to the fuel filter change becomes zero.	Replace with a specified new fuel filter.
	5	Displayed when the remaining time to the hydraulic oil filter change becomes zero.	Replace with a specified new hydraulic oil filter.
	5	Displayed when the remaining time to the hydraulic oil change becomes zero.	Replace with a specified new hydraulic oil.
	5	Displayed when the DPF maintenance (clean or replace) time of 8000 hrs. has been reached.	Contact your nearest KOBELCO service shop.

### 2.3.21 CLOGGING DETECTOR OF HYDRAULIC OIL FILTER

Change the hydraulic oil filter when "CHANGE HYD.OIL FLTR" appears on the monitor. (See "REPLACING RETURN FILTER" in Chapter 4 for replacement procedures.)

**Note**

When the clogging detector of the hydraulic oil filter is working, the pump operation noise becomes louder for approximately 3 seconds with the control lever in the neutral position, but it is not abnormal.

1. To release the warning, set the maintenance interval of the return filter again from the monitor. (Default value: 1000 hrs.)  
(See "MAINTENANCE" in Chapter 2 for setting procedures.)



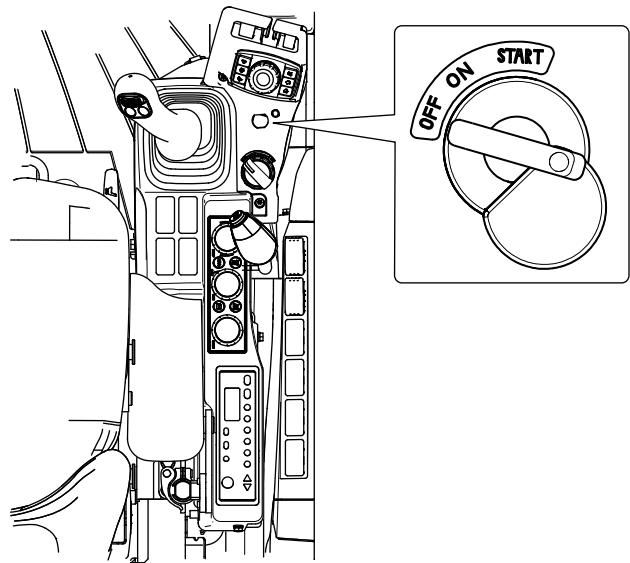
2. After the setting of 1. is completed, operate the machine for a while, then the warning is released automatically.

## 2.4 HANDLING OF SWITCHES AND METERS

### 2.4.1 STARTER SWITCH

This switch is used to start or stop the engine.

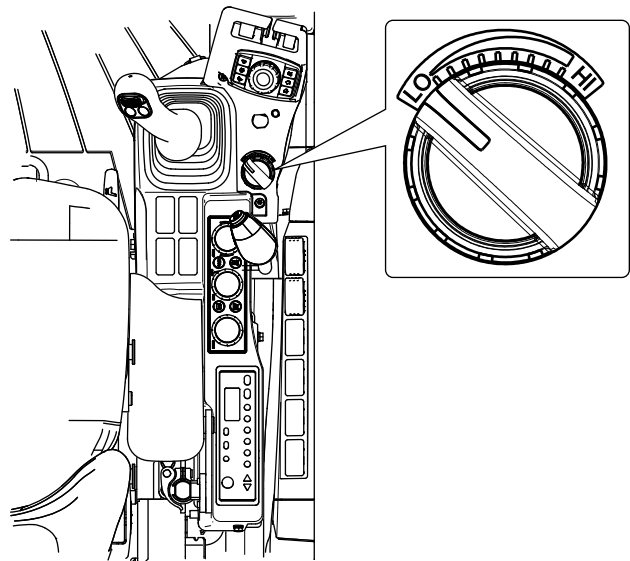
- OFF (STOP):  
At this position, you can insert or remove the starter key. Before restarting or stopping the engine, turn the starter key to the "OFF" position.
- ON:  
Electricity flows in all circuits. During operation, the starter key should be in this position.
- START:  
When starting the engine, turn the key to the "START" position. When the engine starts, release your hand from the starter switch. The starter key will return to the "ON" position by itself.



### 2.4.2 ENGINE THROTTLE

This dial adjusts the number of engine speed (output). This is a dial type rotary switch and a continuous adjustment type. If you release the dial at a rotated position, it stops at that position, and maintains assigned engine speed.

- LO (Low idle)  
The number of engine speed is minimum at the end of left rotation.
- H (High idle)  
The number of engine speed is maximum at the end of right rotation.

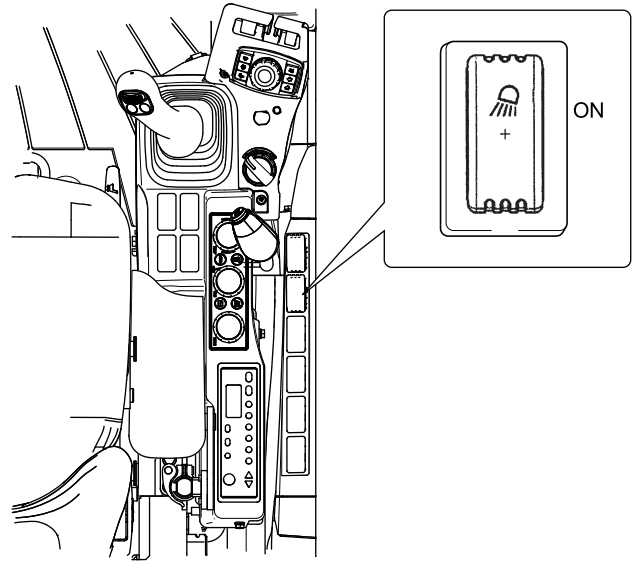




### 2.4.3 WORKING LIGHT (BOOM AND DECK)

Push the switch to turn on the working lights on the boom and deck .

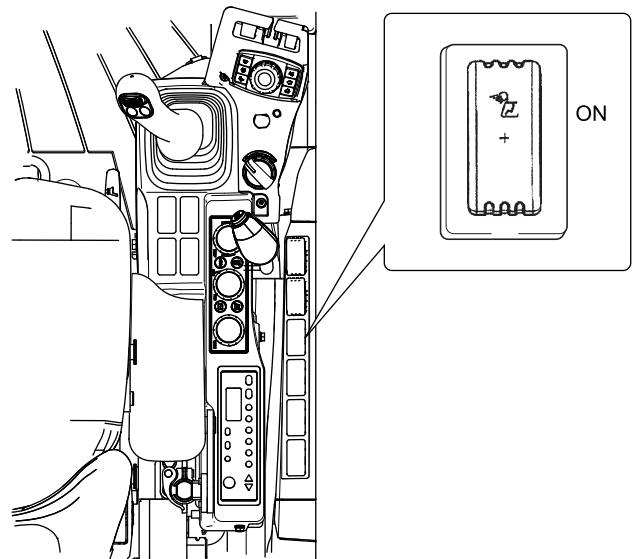
Push the no symbol mark side to turn off the working lights on the boom and deck .



### 2.4.4 WORKING LIGHT SWITCH (CAB LIGHT)

Push the switch to turn on the working light of the cab.

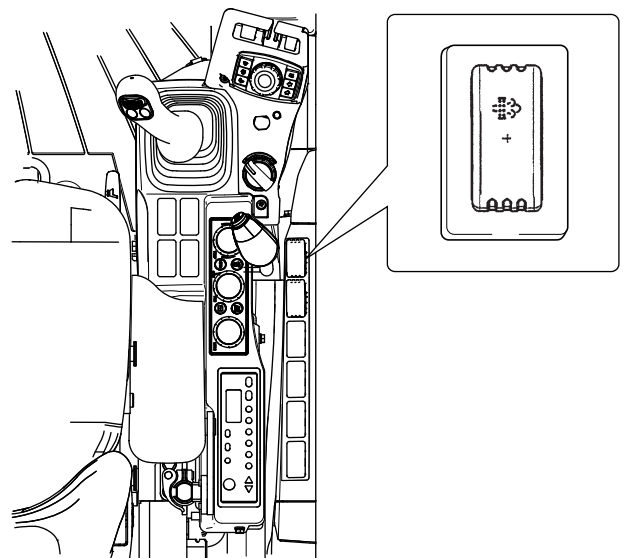
Push the no symbol mark side to turn off the working light on the cab.



### 2.4.5 MANUAL REGENERATION SWITCH

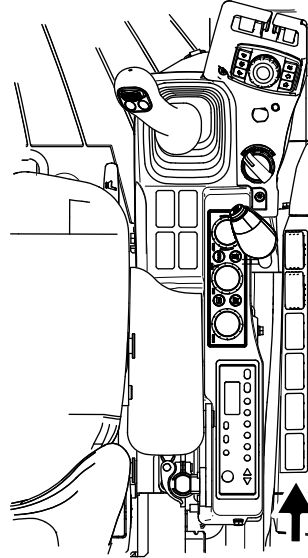
When you press the manual regeneration switch, is regenerated.

For details, see "EXHAUST GAS CLEANING DEVICE (DOC)" in Chapter 4.



### 2.4.6 CAP (OPTION SWITCH)

This is a place to install an optional switch.



### 2.4.7 HORN SWITCH

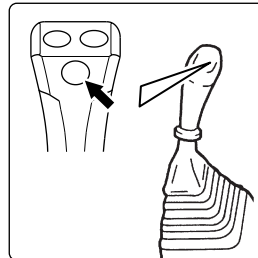
---

**CAUTION**

Be sure to sound the horn before starting this machine to warn surrounding personnel.

---

The horn sounds while the switch located on the top of the left control lever grip is being pressed.

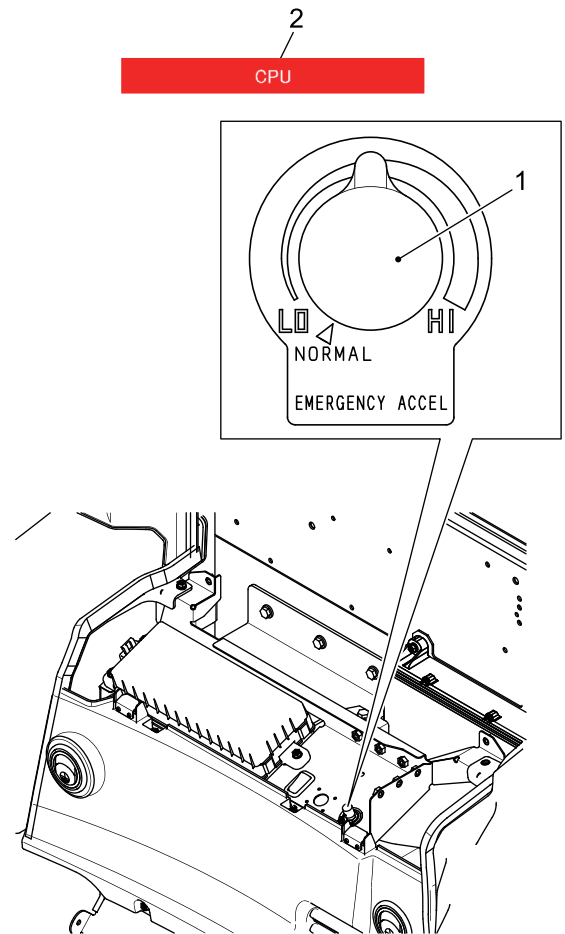


## 2.4.8 EMERGENCY ACCEL

This dial is used when the controller that controls this machine has trouble. When the engine speed cannot be adjusted with the engine throttle due to controller trouble, operate this emergency accel (1) to adjust the engine speed.

Under normal conditions, do not operate emergency accel (1).

When controller warning (2) is displayed on the monitor, contact your KOBELCO authorized dealer.



### OPERATION PROCEDURES

When operating the emergency accel, follow the procedures below.



#### HOW TO HANDLE EMERGENCY ACCEL

Be sure to follow the procedures for the emergency accel. Because the engine speed may rise suddenly when the engine starts, and it is extremely dangerous.

1. Stop the engine, and set emergency accel (1) to "NORMAL".
2. Start the engine.
3. Turn emergency accel (1) to the HI side to adjust the engine speed.
4. When stopping the engine, set emergency accel (1) to "NORMAL".

## 2.4.9 SWING PARKING BRAKE RELEASE SWITCH

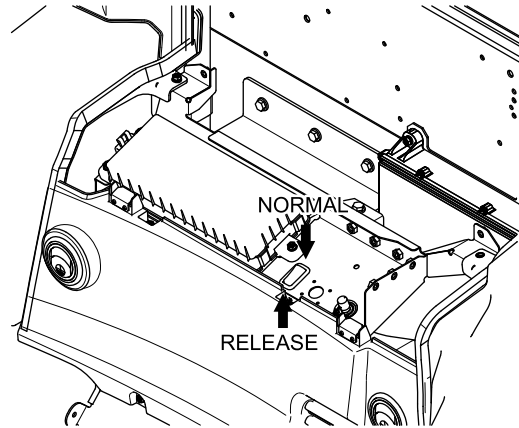


### SWING PARKING BRAKE RELEASE SWITCH

Do not operate the swing parking brake release switch on slopes and soft grounds. The upper structure may turn unexpectedly and it is significantly dangerous.

This switch is used only when the swing parking brake cannot be released due to trouble. Set this switch to "RELEASE" to release the brake.

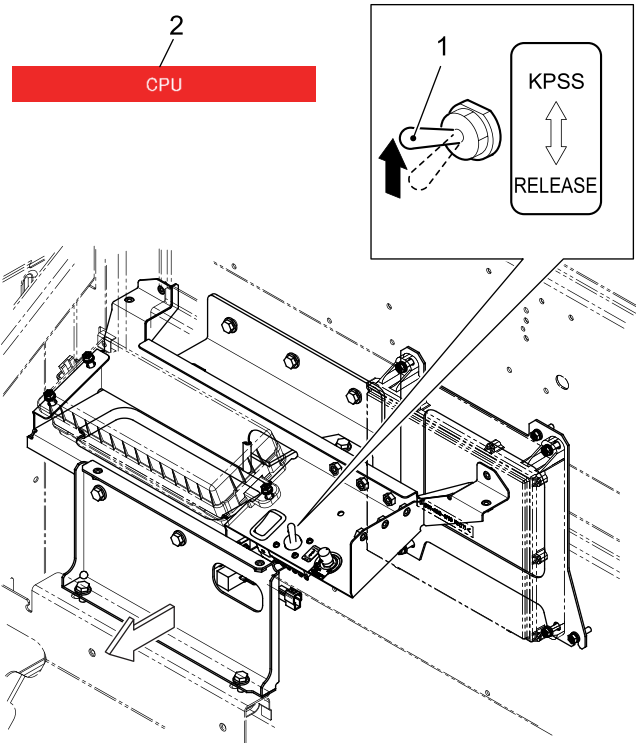
Generally, the switch should be on "NORMAL". When trouble is found in the swing parking brake systems, contact your KOBELCO authorized dealer promptly.



## 2.4.10 KPSS RELEASE SWITCH

Use this dial when the controller controlling this machine has failure. When operating this machine becomes impossible due to the controller failure, set this KPSS release switch (1) to "RELEASE" to operate the machine. However, the speed of the machine is limited. Under normal conditions, the switch should be on "KPSS (work mode)".

When controller warning (2) indicating failure of the controller is displayed on the monitor, immediately contact your KOBELCO authorized dealer.

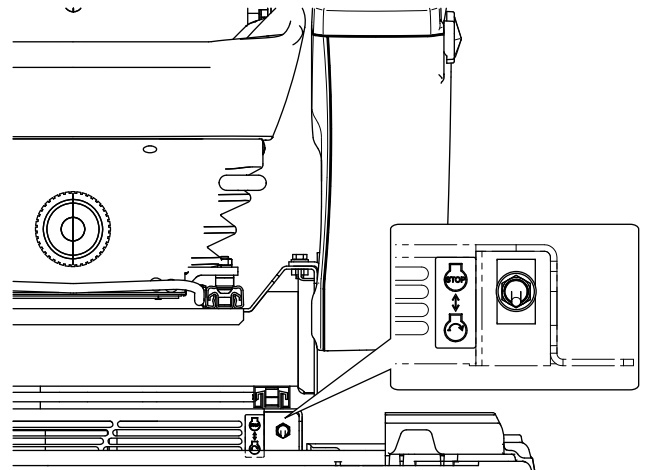


## 2.4.11 ENGINE STOP SWITCH

### Notice

Do not use this switch to stop the engine under normal conditions.

When the engine does not stop due to trouble and damage of the machine even when turning the starter switch "OFF", lift up the switch near the lower left side of the seat to stop the engine. When not using this switch, always keep the switch down.



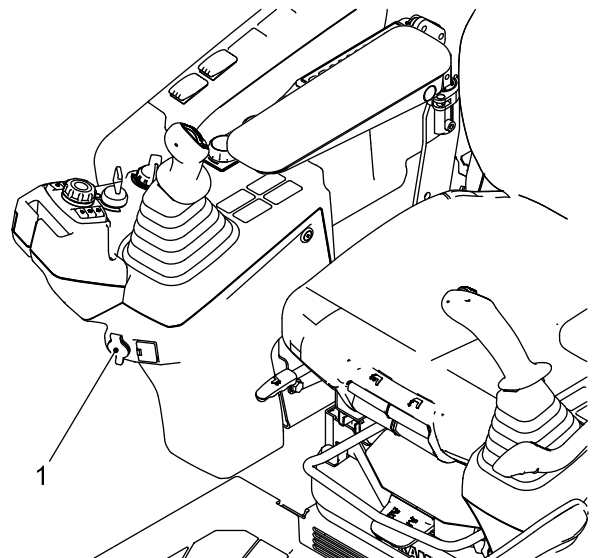
2

## 2.4.12 12 V POWER SUPPLY

Twelve volt power supply (1) is located at the lower side of the right control stand.

When using accessories such as a fan for general automobiles and other accessories that require the 12 V DC power supply, the 12 V power supply is required. Remove the cover from the 12 V power supply, and insert a 12 V male socket. After using the accessory, put the cover back on.

Maximum continuous output = 180 W



## 2.4.13 USB PORT/EXTERNAL INPUT TERMINAL (AUX)

### Notice

- This part does not guarantee connection with all types of USB terminals and AUX terminals. Also, when each terminal does not match the inlet of this machine, connection is not available.
- For use of external sound devices and USB memories, follow the manuals for them respectively.

Using the USB port/external input terminal (AUX), you can listen to music from a cell phone and external sound device.

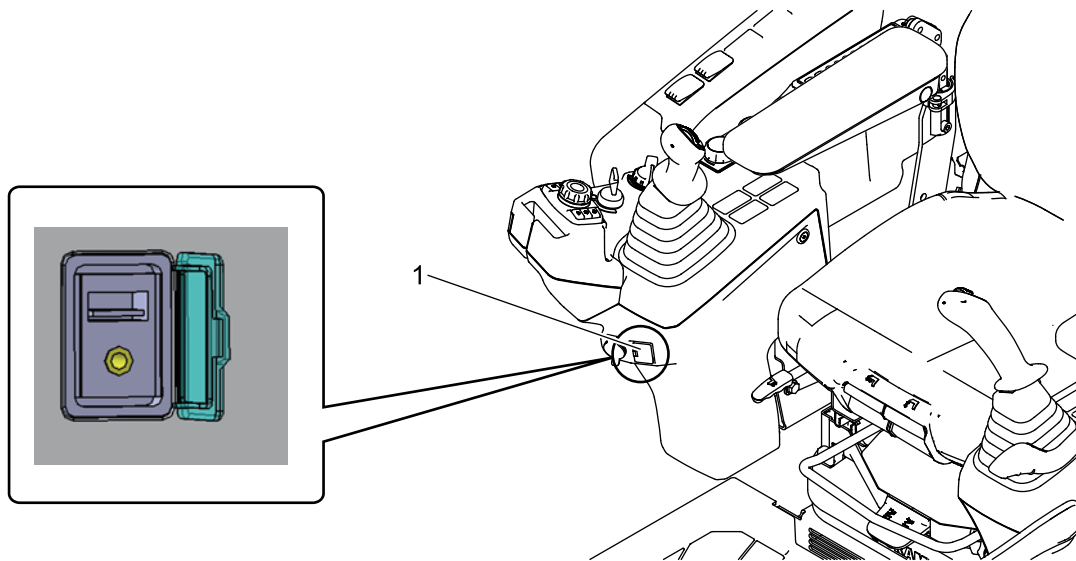
The USB port and the external input terminal are located at the lower side of the right control stand inside the cab. When using them, open cap (1), and connect each cable (sold separately). When they are is not used, close cap (1).

### USB PORT

Use your USB device memory to listen to music files from the machine's speakers. For playable music files, and connection with USB memories, see "HANDLING OF RADIO" in Chapter 2.

### EXTERNAL INPUT TERMINAL (AUX)

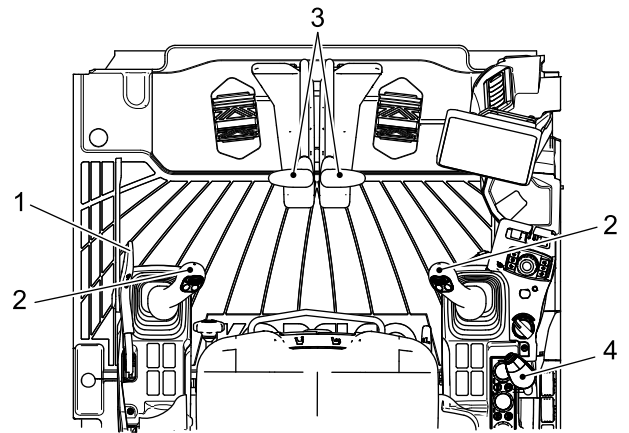
Connect a digital audio player, etc. to listen to music from the machine's speakers. For connection cables, see "HANDLING OF RADIO" in Chapter 2.



## 2.5 HANDLING OF LEVERS AND PEDALS

### 2.5.1 LOCATION OF LEVERS AND PEDALS

- (1) Control Lock Lever
- (2) Operator Control Levers
- (3) Travel Levers
- (4) Operator Control Lever for Dozer



## 2.5.2 CONTROL LOCK LEVER

The control lock lever is provided to prevent any unexpected operation due to unexpected contact with the left/right control levers or travel levers.

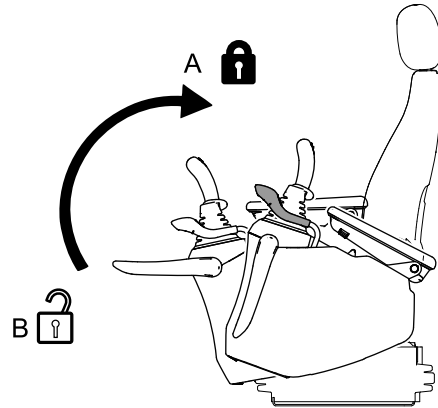


### HANDLING OF CONTROL LOCK LEVER

- Do not stand up and move during operation, or unexpected contact with the control levers may cause a sudden movement of the machine. Raise the control lock lever securely to the "LOCKED" position before standing up or moving.
- Set the control lock lever to the "LOCKED" position securely, or it may not be locked. Make sure that the control lock lever is at the "LOCKED" position shown in the figure.
- When unlocking, do not touch other levers unintentionally. Touching other levers may cause danger due to unexpected machine movement.
- After completion of work or during transportation, be sure to set the control lock lever to the "LOCKED" position.
- Do not get on and off the machine holding the control lock lever.

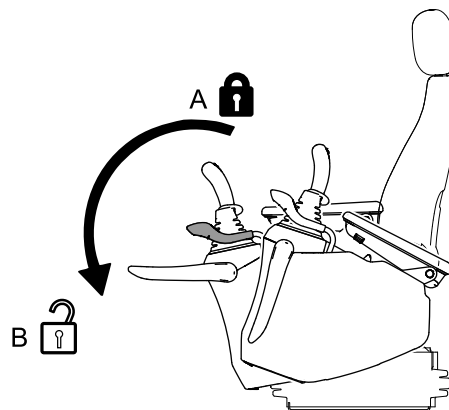
### LOCKING HYDRAULIC SYSTEM

When the control lock lever is raised to "LOCKED" position (A), the operation control function is locked.



### UNLOCKING HYDRAULIC SYSTEM

When the lever is lowered to the "UNLOCKED" position (B), the hydraulic system is unlocked.





## 2.5.3 OPERATOR CONTROL LEVERS



### CONTROL OF LEVERS

- Before operation, be sure to pay attention to the safety of the surroundings and operate each lever slowly to fully make sure that the machine movement is in accordance with the control pattern indicated on the control pattern label in the cab.
- If you operate the machine while the control pattern label in the cab does not match the actual machine movement, it may cause severe personal injury.
- When the label does not match the actual machine movement, replace them with a proper one.
- When stopping swing operation, stop it earlier than your intended position by taking the swing distance after returning the swing lever to the neutral position into account.

The swing operation and the attachment/equipment are operated with the left and right control levers.

The left control lever is used for swing and arm operations.

The right control lever is used for boom and bucket operations.

Release the lever to return it to the neutral position and stop the attachment/equipment from moving. It is possible to perform various operations at the same time.

#### Left control lever

(1) Swing right

(2) Swing left

(3) Arm out

(4) Arm in

N (Neutral): Upper structure and arm are held in the position at that time

#### Right control lever

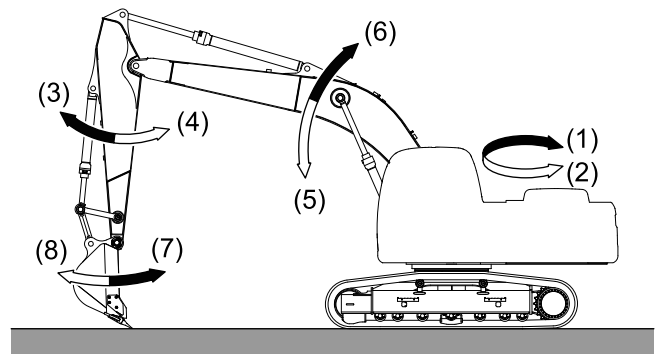
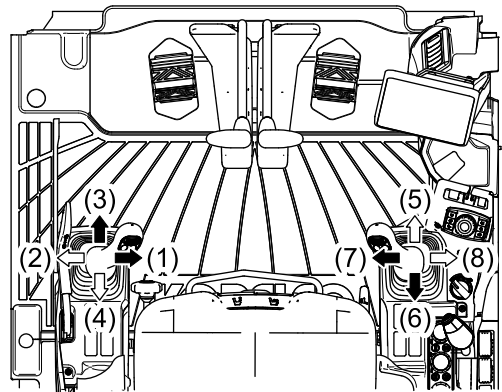
(5) Boom down

(6) Boom up

(7) Bucket in

(8) Bucket out

N (Neutral): Boom and bucket are held in the position at that time



## 2.5.4 TRAVEL LEVER & PEDAL



### HANDLING OF THE TRAVEL LEVER & PEDAL

- During travel operation, pay attention to the control levers. There is a possibility of accident because the attachment is suddenly swung and moved by the unexpectedly touching and shifting the control lever.
- When operating the travel levers, check the crawler frame direction. When the travel motor is positioned on the front side, the traveling lever operation is reversed.
- If you put your foot on a pedal during work, there is a possibility of severe injury because the machine will start abruptly if the pedal is depressed unintentionally. Do not put your foot on a pedal, except for driving or turning with pedals.
- Pay attention when driving and operating with pedals.

### FRONT/REAR AND LEFT/RIGHT OF MACHINE

In this manual, front/rear and left/right are determined by looking the forward direction from the operator's seat with the travel motors at the rear side.

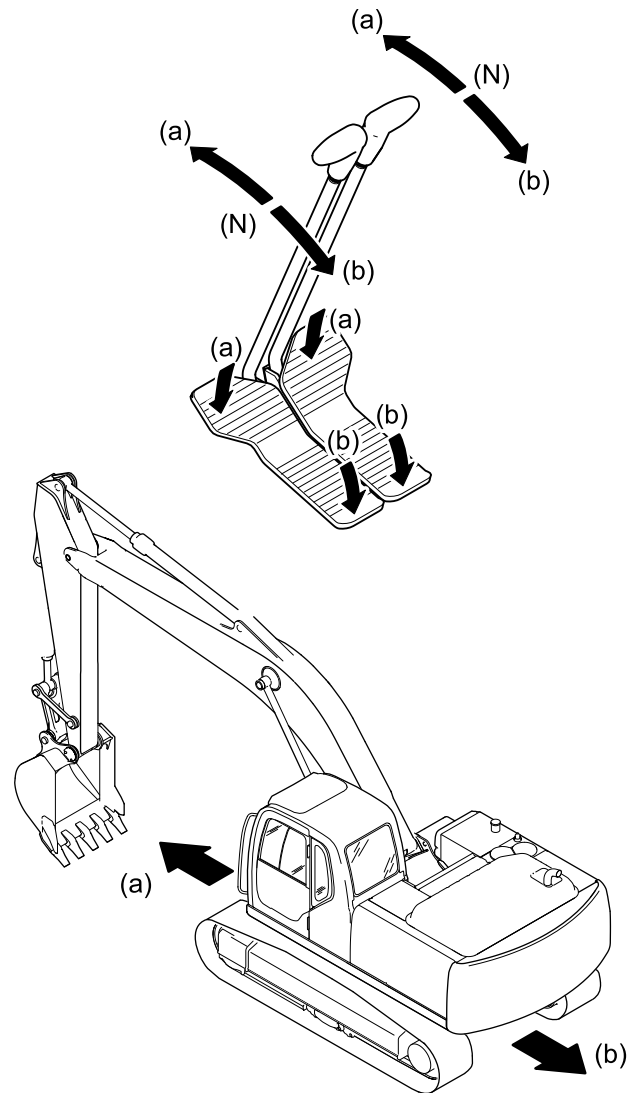
The manual levers and travel pedals are used for the travel operation of this machine.

(a) Travel forward: Push the travel levers to the front

(Depress the front of travel pedals)

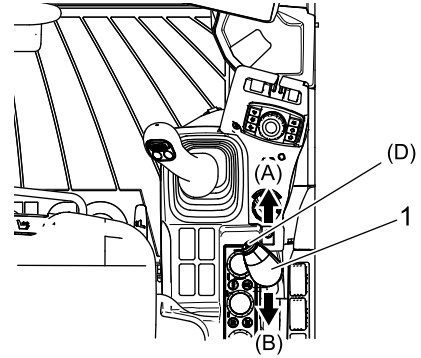
(b) Travel backward: Pull the travel levers toward yourself (Depress the back of travel pedals)

(N) Neutral: The machine stops traveling.

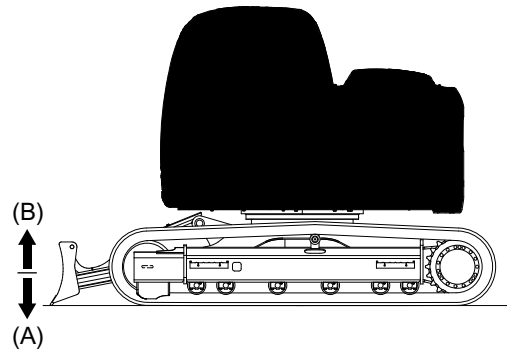


### 2.5.5 DOZER OPERATION LEVER

The dozer is operated with dozer control lever (1) located on the right of the right control lever as shown in the right figure. If dozer control lever (1) is released, the lever returns to the neutral position and the dozer is held at the position at that time.



LEVER CONTROL	DOZER MOTION
PUSH LEVER FORWARD (A)	DOZER DOWN
PULL LEVER BACKWARD (B)	DOZER UP
NEUTRAL (C)	HOLD
TRAVEL SPEED SELECT SWITCH (D)	Changes travel speed to LOW (1st) or HIGH (2nd)



## 2.6 HANDLING OF FUSE & RELAY BOX

### 2.6.1 ABOUT FUSE & RELAY BOX

The fuses protect the wiring and electrical components from damage due burn out due to excess current. If the electrical system does not work properly, check to replace any blown fuses with new ones. If there is a corroded fuse generating white powder on it, or if some looseness exists between a fuse and its fuse holder, replace it as well.

### 2.6.2 REPLACING FUSES

---

**CAUTION**

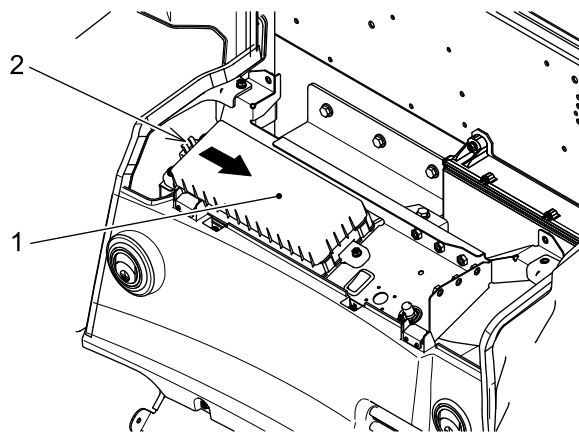
Make sure the starter switch is in the "OFF" position when replacing fuses.

---

**Notice**

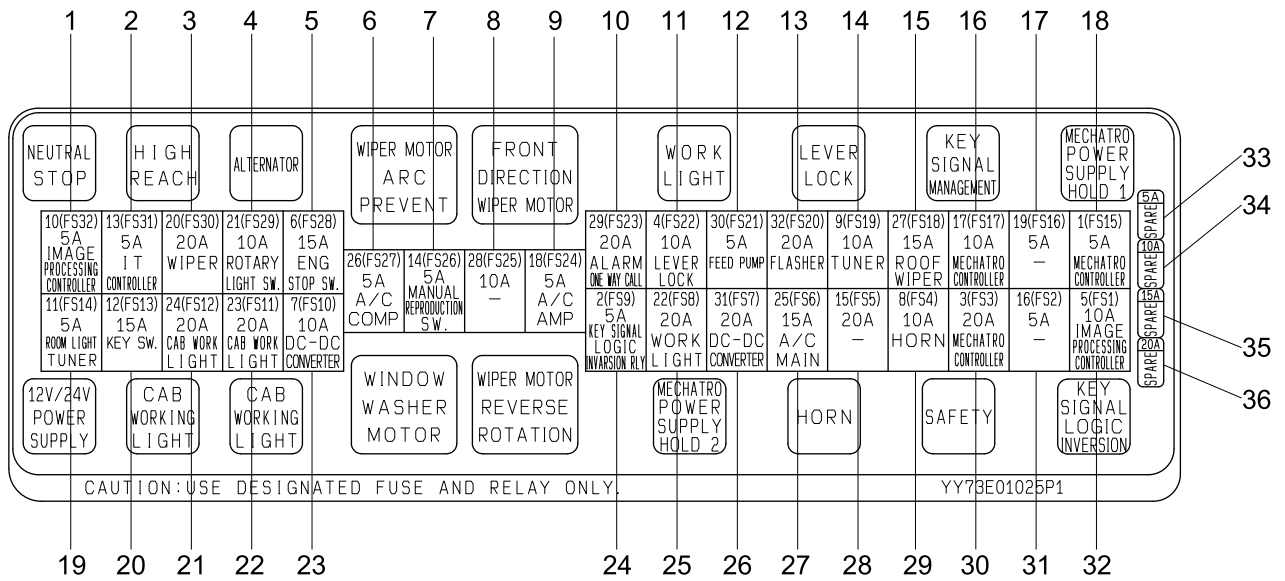
- The spare fuses are stored in the fuse & relay box.
  - A fuse must be replaced with a one of the same type and capacity of that of the blown fuses. The electrical system may be damaged if a different one is used.  
If fuse replacement is frequently required, it may be due to a failure in the electrical system. Please contact KOBELCO authorized dealer/distributor.
- 

1. To remove the fuse box cover at the rear side of the operator's seat, push lock part (2) of cover (1) inward and release the lock and then lift the cover.
2. When replacing the fuse, use a fuse extractor to remove it from the fuse box.
3. After replacing the fuse, install the cover securely.

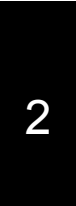


### 2.6.3 FUSE CAPACITY AND CIRCUIT NAME

The following shows each fuse capacity and circuit name.



Item	Capacity	Circuit Name	Item	Capacity	Circuit Name
1	5A	Image processing controller	19	5A	Room lamp, tuner
2	5A	IT controller	20	15A	Key switch
3	20A	Wiper	21	20A	Cab working light
4	10A	Rotary light switch	22	20A	Cab working light
5	15A	Engine stop switch	23	10A	DC-DC converter
6	5A	Air conditioner	24	5A	Key signal logic inversion relay
7	5A	Manual regeneration switch	25	20A	Working light
8	10A	-	26	20A	DC-DC converter
9	5A	Air con. Amp.	27	15A	Air conditioner
10	20A	Travel alarm	28	20A	-
11	10A	Lever lock	29	10A	Horn
12	5A	Feed pump	30	20A	Mechatro controller
13	20A	Flasher	31	5A	-
14	10A	Tuner	32	10A	Image processing controller
15	15A	Skylight wiper	33	5A	Spare fuse
16	10A	Mechatro controller	34	10A	Spare fuse
17	5A	-	35	15A	Spare fuse
18	5A	Mechatro controller	36	20A	Spare fuse



## 2.7 HANDLING OF FUSIBLE LINK (FOR STARTER)

### Notice

The fusible link is a fuse wiring of big size provided in a large capacity circuit. As with normal fuses, it protects electrical components and wiring from burn out due to excess current.

In case the starter does not work when the starter switch is turned "ON", disconnection of the fusible link is suspected. Check and replace it as needed.

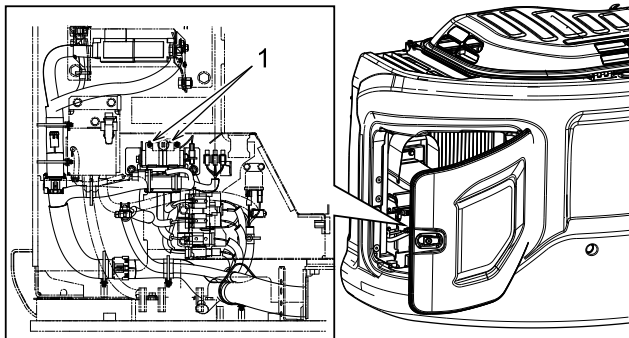
### 2.7.1 FUSIBLE LINK INSPECTION/REPLACEMENT

#### CAUTION

Remove the negative (-) terminal of the battery to shut down the flow of electricity to avoid electric shock and short circuit leading to damages of the component.

When the battery power-off switch is provided, set it to "OFF".

1. Use the starter key to open the side door at the left side of the machine and hold it with the stay.
2. Remove fusible link (1), and perform inspection or replace it with a new one.
3. Remove the supporting stay, and close the side door.

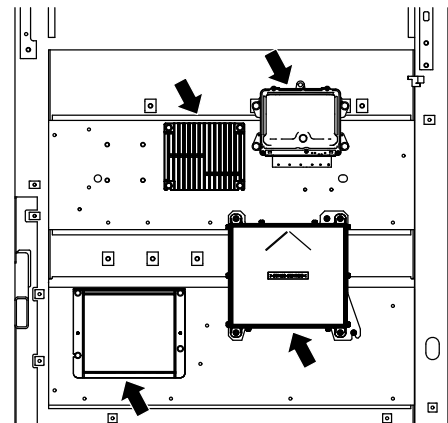
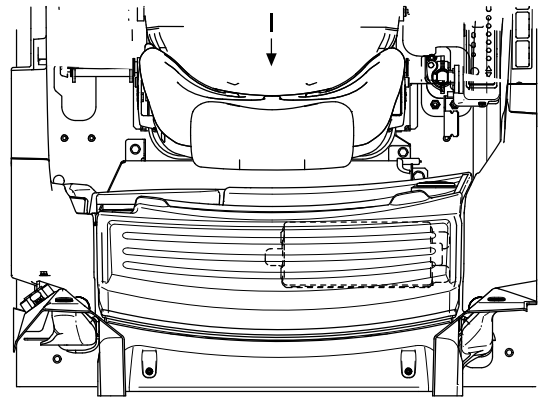


## 2.8 CONTROLLER

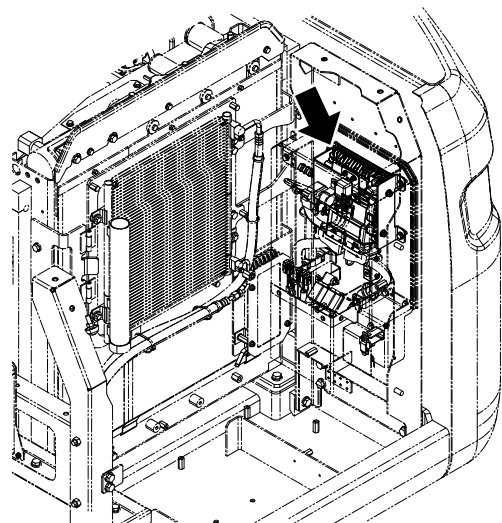
### **CAUTION**

- Be careful not to splash water, mud and drinks on the controller. It may cause failure.
- When the controller warning is displayed on the monitor, contact your KOBELCO authorized dealer. See "WARNING DISPLAY SCREEN" in Chapter 2 for warnings.

The controller controlling the machine and the engine is equipped in this machine.



VIEW I



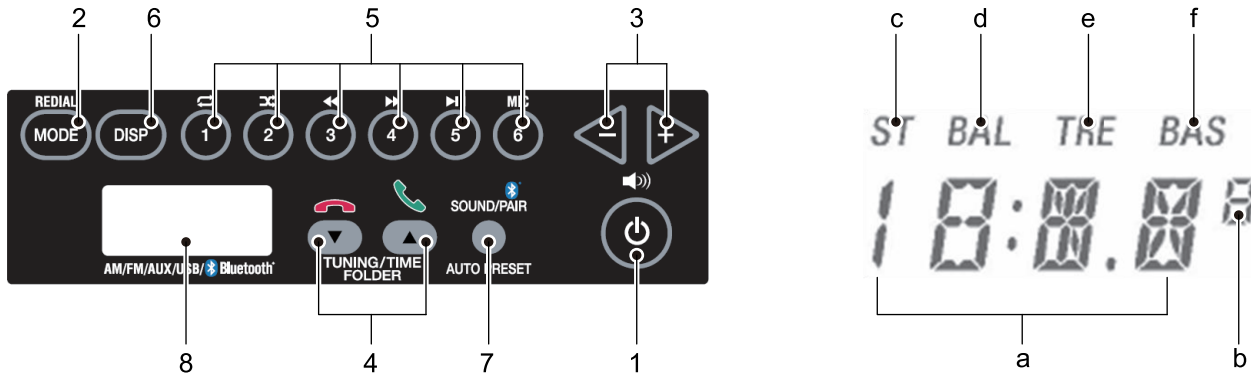
## 2.9 HANDLING OF RADIO

### **CAUTION**

Do not operate the radio during operation.

Lower the attachment to the ground, pull up the control lock lever to the "LOCKED" position, and then operate the radio.

### 2.9.1 NAME OF EACH PART



Item	Name	Function
1	[PWR] Key	Turns the power of the radio ON/OFF. In each explanation, "ON" is described as "OnAir".
2	[MODE] Key	Switches the band (AM/FM1/FM2) and the radio (AM/FM1/FM2), AUX, USB, and BT(Bluetooth). If pressed and hold, redial is performed.
3	[VOL+] [VOL-] Key	Adjusts the volume.
4	[UP] [DOWN] Key	Switches the frequency, adjusts steps at the sound adjustment, and adjusts the clock. Also, when a call is received, press [UP] to start conversation, and press [DOWN] to finish the conversation.
5	[PRESET] Key (1 to 6)	Recalls and registers preset frequency. Also, in use of BT(Bluetooth)/USB, performs repeat, random, track forward/backward, and pause.
6	[DISP] Key	Switches the display (frequency/clock).
7	[SOUND PAIR] Key	Adjusts the sound (balance/bass/treble) and performs pairing.
8	LCD Display	Displays the frequency and the clock.
a	Segment (Large)	Displays the letter/value information such as the name of the source, the frequency, and the clock.
b	Segment (Small)	Displays the frequency at the step of FM50kHz.
c	ST Pict	Turns on if stereo sound is received with FM1/FM2 selected.
d	BAL Pict	Turns on at balance adjustment in sound adjustment.
e	TRE Pict	Turns on at treble adjustment in sound adjustment.
f	BAS Pict	Turns on at bass adjustment in sound adjustment.

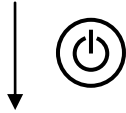


## 2.9.2 ON-AIR (NORMAL CONDITION)

With the radio component in the OFF condition, press [PWR] key to turn the radio ON (on-air condition). Then the frequency selected now starts to be received.



OFF (clock display)  
 {Colon blinks (ON: 700 ms, OFF: 300 ms)}



After 1 sec.



ON (on-air): Band name display

In this condition, press [DISP] key to switch the frequency display and the time display.

If the source is AUX, the AUX display and the clock display are switched.

(When the clock display is switched to the frequency display, the band name is displayed for 1 sec. and then the display is changed to the frequency display.)



Frequency display



Clock display  
 {Colon blinks (ON: 700 ms, OFF: 300 ms)}

After 1 sec.



ON (on-air): Band name display

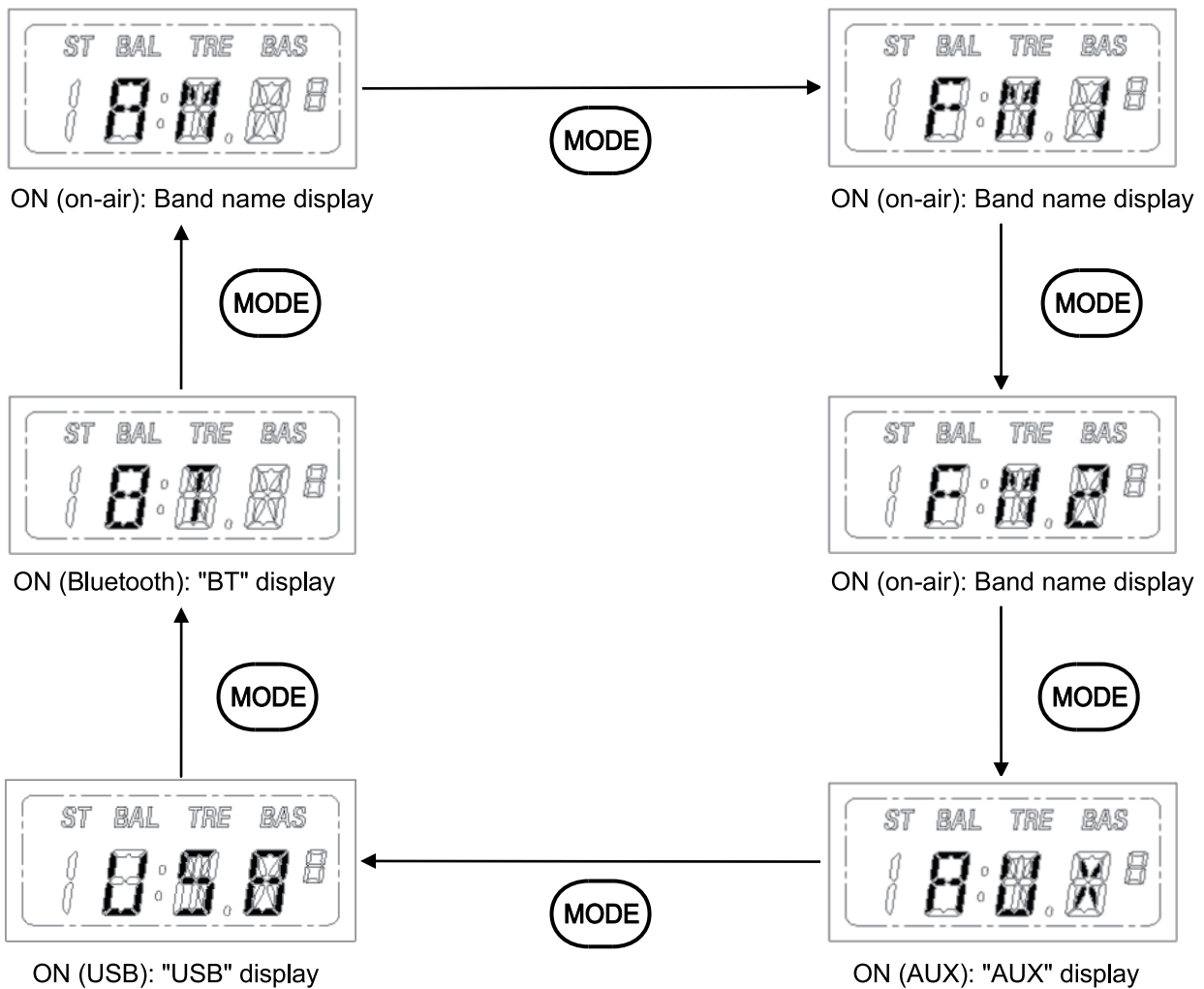
### 2.9.3 SWITCHING SOURCE

With the radio component in the on-air (normal) condition, press [MODE] key to switch the source.

After the source is switched, each source works as follows.

- AM/FM: Receives the frequency received at the previous time by the selected band.
- AUX: Outputs the sound of the device connected to the AUX terminal from the speakers of this radio component.
- USB: Plays the mp3 file inside the USB memory connected to the USB terminal and outputs the sound from the speakers of the radio component.
- BT: Outputs the sound of the device connected through Bluetooth (A2DP) from the speakers of this radio component.

The sources are switched in the order of AM→FM1→FM2→AUX→USB→BT→AM.



## 2.9.4 FM/AM

### FREQUENCY ADJUSTMENT (1 STEP UP OR 1 STEP DOWN)

With the radio component in the on-air (normal) condition, press [UP] key to increase the frequency by 1 step. Also, press [DOWN] key to decrease the frequency by 1 step.

(In case that selected band is FM1/FM2)



Frequency display  
(When stereo sound is received, "ST" pict turns on)



Frequency display  
(When stereo sound is not received, "ST" pict turns off)



Frequency display  
(When stereo sound is not received, "ST" pict turns off)

(In case that selected band is AM)



Frequency display  
(When AM is selected, "ST" pict always turns on)



Frequency display  
(When AM is selected, "ST" pict always turns on)



Frequency display  
(When AM is selected, "ST" pict always turns on)

2

## [2. MACHINE FAMILIARIZATION]

### FREQUENCY ADJUSTMENT (AUTOMATIC SEEKING)

With the radio component in the on-air (normal) condition, press and hold [UP] key to increase the frequency by 1 step consecutively.

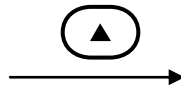
Also, press and hold [DOWN] key to decrease the frequency by 1 step consecutively.

When the well-received frequency is detected, the auto seeking operation stops and the radio becomes the on-air condition.

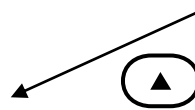
(In case that selected band is FM1)



Frequency display  
(When stereo sound is received,  
"ST" pict turns on)



Frequency display  
(When stereo sound is not received,  
"ST" pict turns off)



(Pressed and held)



Frequency display  
(Automatic seeking condition.  
Frequency changes consecutively)

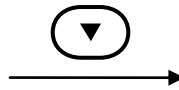
Frequency is detected



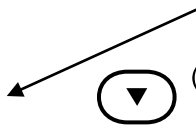
Frequency display  
(Automatic seeking is stopped.  
When stereo sound is received,  
"ST" pict turns on)



Frequency display  
(When stereo sound is received,  
"ST" pict turns on)



Frequency display  
(When stereo sound is not received,  
"ST" pict turns off)



(Pressed and held)



Frequency display  
(Automatic seeking condition.  
Frequency changes consecutively)

Frequency is detected



Frequency display  
(Automatic seeking is stopped.  
When stereo sound is received,  
"ST" pict turns on)

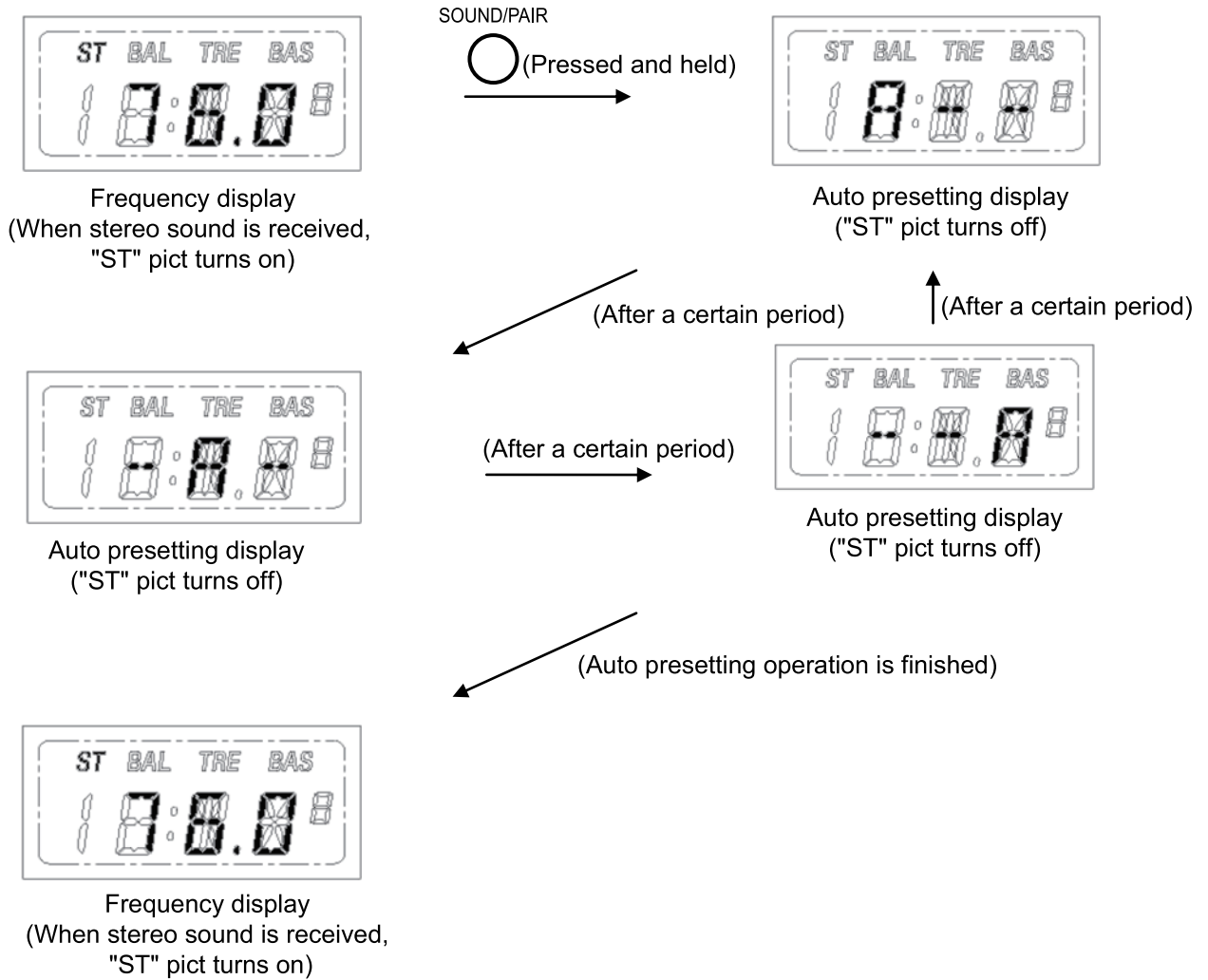
FREQUENCY ADJUSTMENT (AUTOMATIC PRESETTING)

With the radio component in the on-air (normal) condition, press and hold [SOUND/PAIR] key to start the automatic presetting function of which the well-received frequency is detected and stored in the preset memories of 1 to 6 automatically.

In the presetting function, the frequencies are set to the preset memories of 1 to 6 in the order of strongly received radio waves.

During operation of the automatic presetting function, the following automatic presetting display (the display position of "A" is renewed at every certain period) is displayed and when the operation is finished (with 2 beep sounds), this display is turned off and the frequency stored in preset 1 is on-aired.

(In case that selected band is FM1)

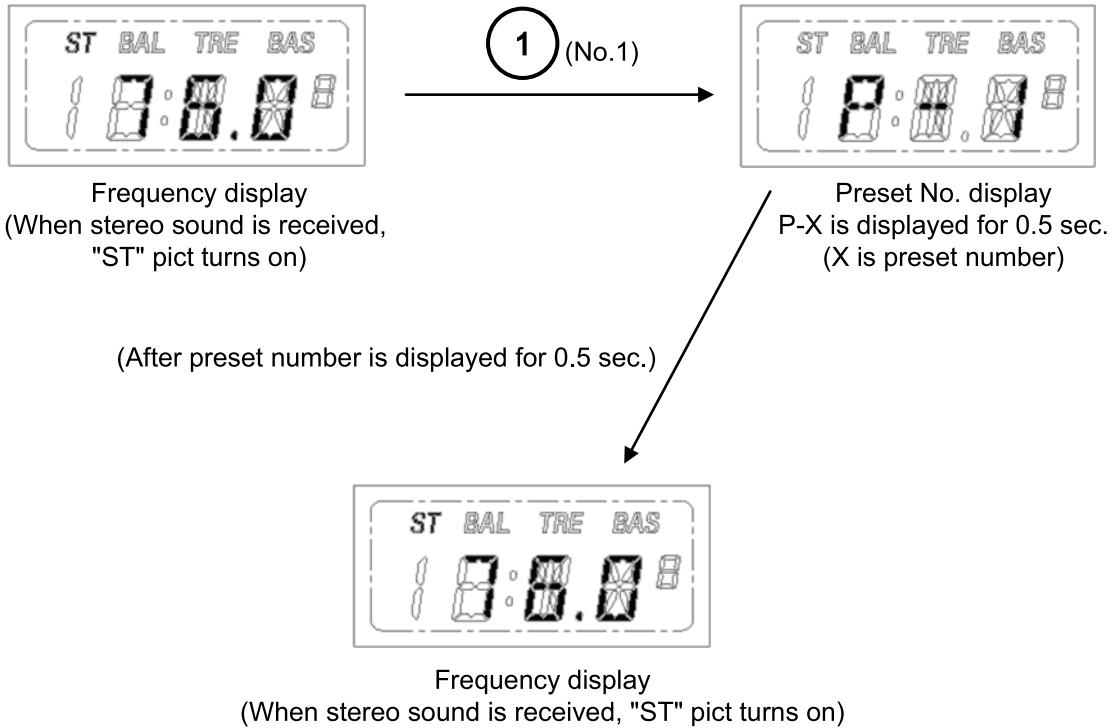


## [2. MACHINE FAMILIARIZATION]

### RECALLING PRESET FREQUENCY

With the radio component in the on-air (normal) condition, press any of [PRESET] key (1 to 6) to recall the frequency stored in that preset number and on-air it.

{In case that selected band is FM1 (76.0 MHz has already been stored in preset No.1)}

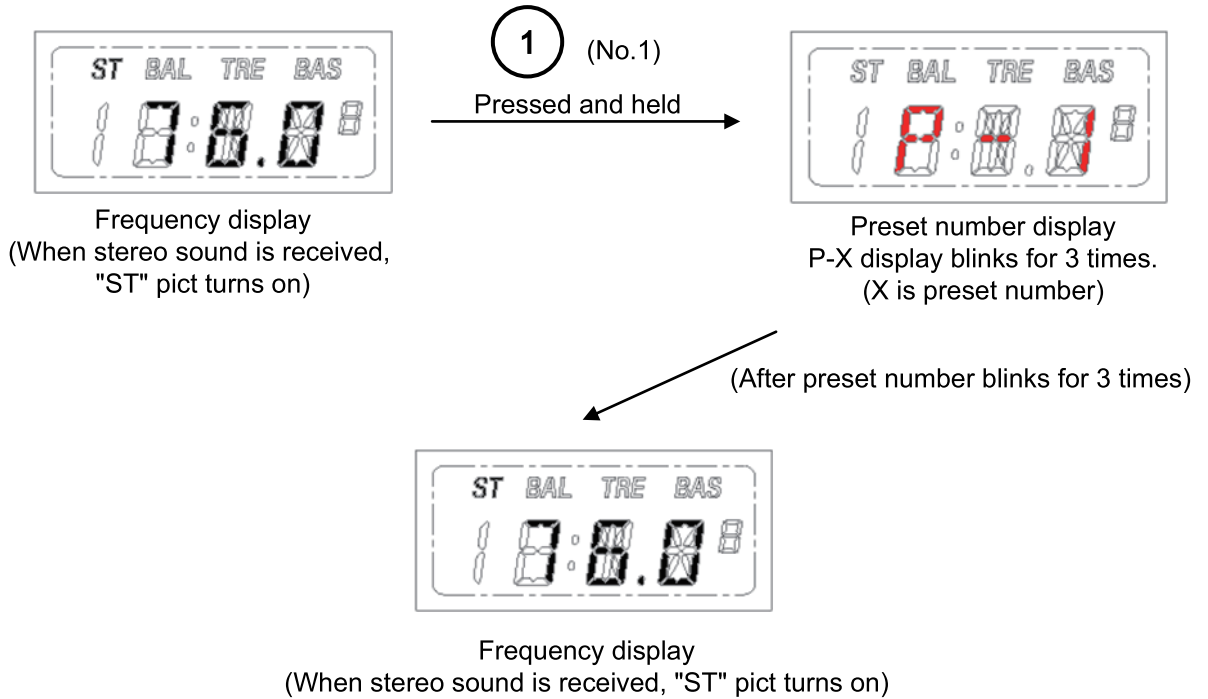


PRESET MEMORY

If any one of [PRESET] keys (1 to 6) is pressed and held under the on-air (normal) condition, the frequency received now is stored to that preset number.

At this time, the preset number display blinks 3 times and then the frequency display turns on.

(In case that selected band is FM1)



## 2.9.5 BLUETOOTH AUDIO FUNCTION, AND USB PORT/EXTERNAL INPUT TERMINAL

Using the Bluetooth Audio function, and USB port/external input terminal (AUX) of this machine, you can listen to music from a cell phone and external sound device.

**Notice**

### Bluetooth Audio

- The Bluetooth Audio function of this machine does not guarantee wireless connection with all types of devices supporting Bluetooth. Devices like cell phones, etc. to be connected need to meet the Bluetooth standard determined by SIG and to be certified. Even if devices to be connected meet the Bluetooth standard, some devices may have connection problems, display/operation differences, or skipping sound.
- For the use of Bluetooth, follow the instruction manual of each device.
- Bluetooth in this machine may adversely affect some medical electric devices such as a cardiac pacemaker. When using Bluetooth Audio near medical electric devices, be very careful and ask applicable medical electric device manufacturers beforehand for use of Bluetooth.

### USB PORT/EXTERNAL INPUT TERMINAL (AUX)

- USB port and external input terminal in this machine do not guarantee connection with all types of USB terminal and AUX terminal. Also, when each terminal does not match the inlet of this machine, a connection is not available.
- For use of external sound devices and USB memories, follow the manuals for them respectively.

### File System Condition

Item		Contents	
File system		FAT16/32, no distinction between upper and lower case letters	
Number of files		Root folder	Sub folder
	FAT16	512	65534
	FAT32	65535	65534
Number of layers		16 layers, full pass including file name is within 260 letters	
Sort order		Plays in UNICODE order	
Supported file format		MP3 / WMA / AAC	



## Supported format

Item		MP3	WMA	AAC
Supported format		MPEG 1/2, 2.5 Layer1, 2 and 3	WMA Ver.9 Standard (DRM is not supported)	MPEG4 AAC-LC (DRM is not supported)
Sampling rate	8k	Yes	Yes	
	16k	Yes	Yes	
	32k	Yes	Yes	
	11.025k	Yes	Yes	
	22.05k	Yes	Yes	
	44.1k	Yes	Yes	Yes
	12k	Yes		
	24k	Yes		
	48k	Yes	Yes	
Bit rate		Compatible with 8 to 320 kbps VBR	Compatible with 5 to 384 kbps VBR	Compatible with 64 to 320 kbps VBR
TAG information		Compatible with ID3TAG (V1.0/V1.1/V2.2/V2.3/V2.4)	Compatible with WMATAG	Compatible with AAC TAG
Extension		mp3	asf, wma	m4a, 3gp, mp4

- When the file data is constructed with a format other than the supported formats, or when the data header part is broken, the track is skipped to the next track.
- The supported files of AAC are that encoded with iTunes (version confirmed for support: 4.\*, 5.\*,6.\*,7.0-7.5). The AAC files encoded with other software may cause failures such as skipping to the next track during playing.

## Basic specification of Bluetooth

Item	Contents
Bluetooth version	3.0
Field intensity	Class 2
Maximum number of devices for pairing registration	16 units
Supported profile	A2DP / AVRCP / HFP / HSP / SPP

## RESUMING

With a USB file being played, if source change, SRC OFF, or ACC OFF is performed and then the USB is selected again, the part played before starts playing.

If the same USB memory is pulled out and inserted, the part played before starts playing.

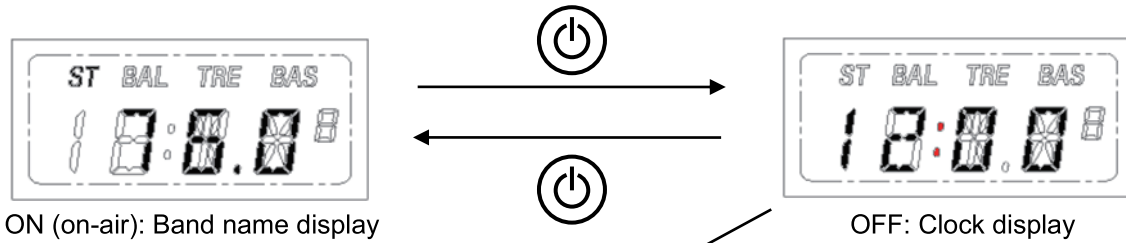
If the USB memory is pulled out during playing, sometimes resuming becomes impossible.

If a different USB memory is inserted between the insertions of the same memory, resuming becomes impossible.

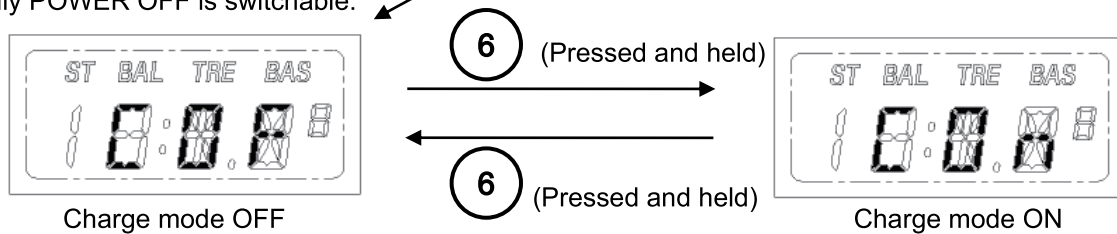
## [2. MACHINE FAMILIARIZATION]

### USB CHARGE

- A USB device connected to the USB (mobile phone or audio device) can be charged.
- In the USB charge, normal mode and charge dedicated mode are available, and at the charge dedicated mode, USB communication becomes impossible.  
(When the USB communication is impossible, playing audio files is impossible.)



· Only POWER OFF is switchable.



\* In the charge mode, the setting is obtained after POWER ON.

## 2.9.6 PAIRING (REGISTRATION OF DEVICES)

Bluetooth devices need prior registration of devices to be connected by each other. This registration is called "pairing".

The pairing is required between this radio component and a mobile phone or other Bluetooth device.

With the OnAir (normal) condition, push the [MODE] key and switch the band to Bluetooth condition.

With the band selecting Bluetooth, press and hold [SOUND/PAIR] to display "WA" and start the preparation of the pairing.

After the preparation of this radio component is finished, "PA" is displayed, and this radio component enters the pairing waiting condition.

If a device is searched from the Bluetooth device to be connected to this radio component, the screen of that Bluetooth device displays "BT-\*\*\*\*" (\* is 4 digits of English letters and numbers). The pairing operation shall be performed from the Bluetooth device to be connected.

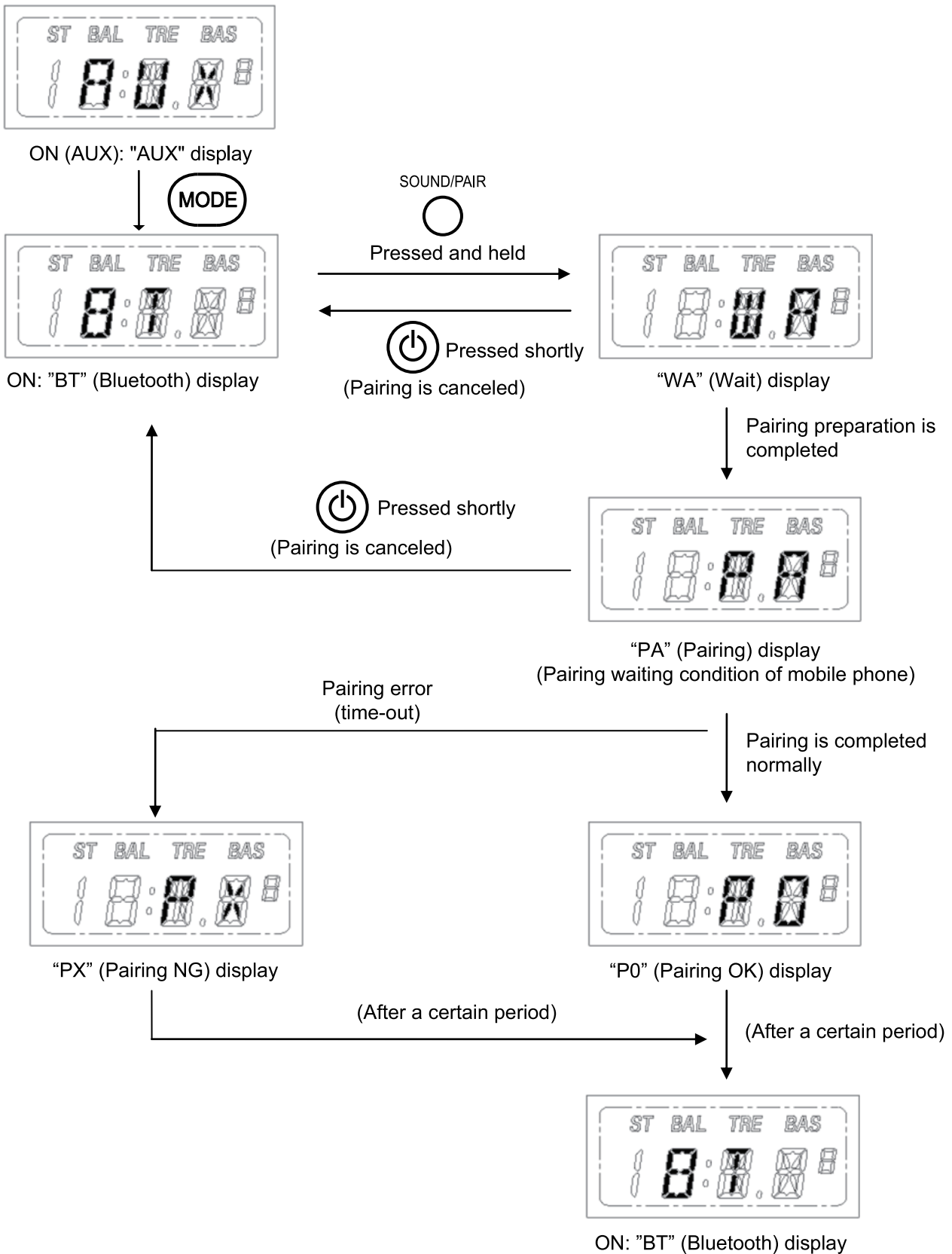
If the pairing is performed normally, "P0" is displayed and the pairing is finished normally.

When the pairing is not completed within the limited time (180 sec.) or error occurs, "PX" is displayed and the radio component returns to the Bluetooth ON condition.

During the pairing operation, by pressing [PWR] key, the pairing is canceled.

\* Some mobile phones need entering of a pass key. Enter "0000" as a pass key.

[2. MACHINE FAMILIARIZATION]



## 2.9.7 TELEPHONE FUNCTION

Before using this function, perform pairing (registration of a device).

### CONVERSATION

If the mobile phone connected through Bluetooth receives a phone call, regardless of the band selected at that time, "CL" is displayed and blinked and the ringtone is output from the speakers.

Even when this radio component is OFF, it automatically turns ON when receiving a phone call, and then displays and blinks "CL", and outputs the ringtone.

With the radio component receiving a phone call, press [UP] key to answer the phone call.

If the telephone number for which incoming call rejection has been performed is received, the radio component does not enter the communication status but changes to the band selected before receiving the phone call.

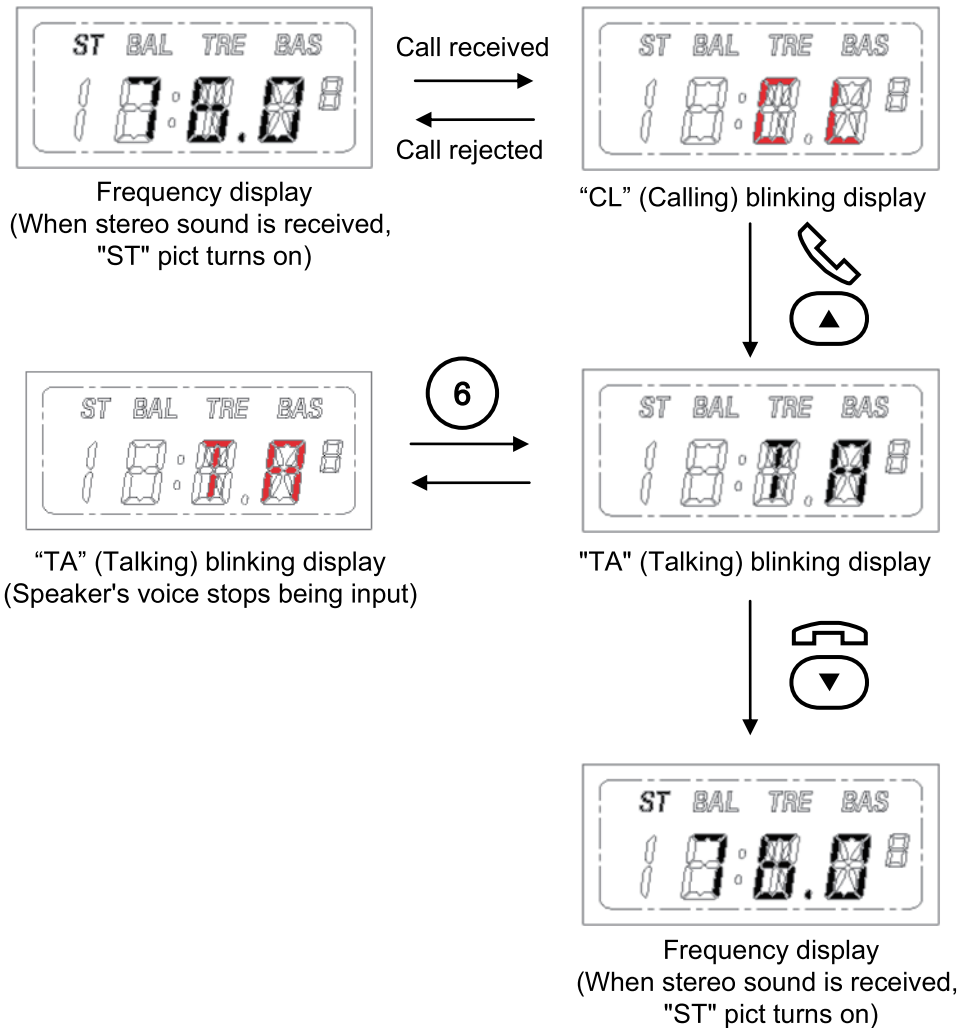
During the telephone conversation, by pressing [DOWN] key, the conversation is finished and the radio component changes to the status before receiving the phone call.

Moreover, by pressing [PRESET 6] key, the microphone can be turned OFF/ON.

When the microphone is turned OFF, input of the speaker's voice is stopped.

The previous turning OFF of the microphone is not stored. It is canceled by every time.

(In case that selected band is FM1)



## [2. MACHINE FAMILIARIZATION]

### REDIALING

Regardless of the band selected now, by pressing and holding [MODE] key, "RE" is displayed for 3 sec. and after redialing is started, "DL" is displayed and blinked, and the ringtone is output from the speakers.

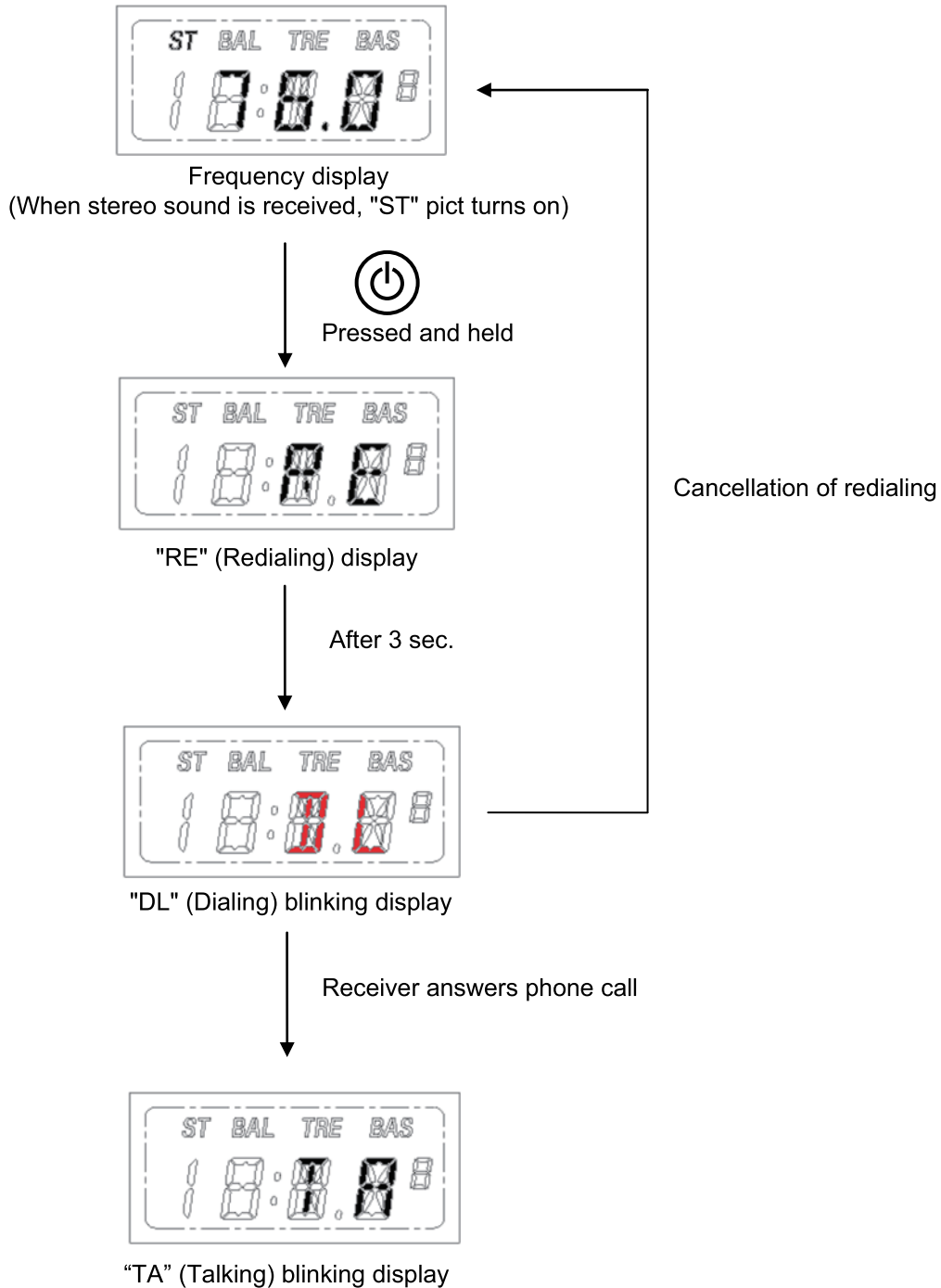
Even when this radio component is OFF, it automatically turns ON when performing redialing and enters the redialing process.

While making a phone call, if it is canceled, the radio component returns to the status before making the phone call.

The redialing function redials the telephone number received last time, after ACC ON.

If a phone call is received for a short time, some mobile phones cannot be applied to redialing.

(In case that selected band is FM1)



## 2.9.8 FILE PLAYING FUNCTION

Before using this function, pairing (registration of a device) shall be done.

### TRACK FORWARD/BACKWARD (USB/BT-AUDIO)

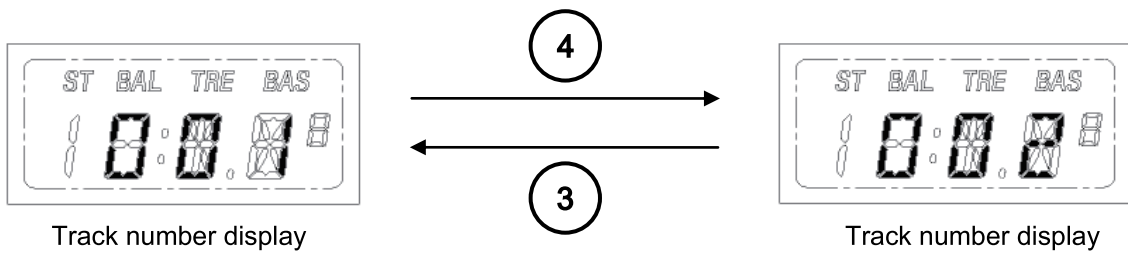
While a USB memory or BT-Audio is being played, press [PRESET 3] or [PRESET 4] to change the track forward/backward.

If moving track backward is operated after less than 1 sec. from the start of playing the track, the track moves to the previous track, however, in case of 1 sec. or more from the start, the playing part moves to the beginning of the same track.

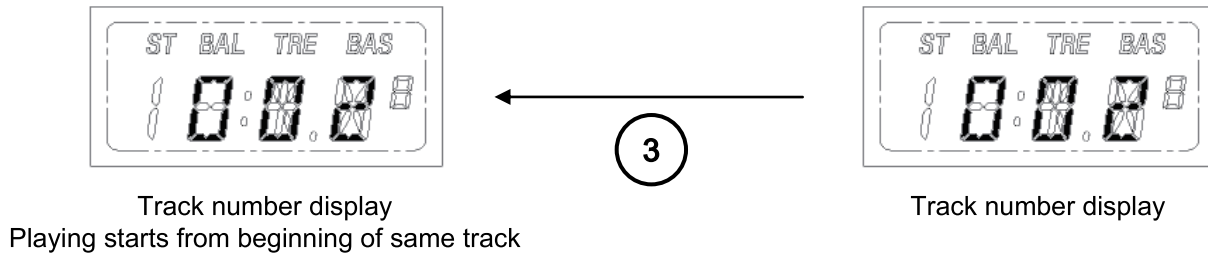
(However, the playing time is not displayed.)

(In case of USB)

- In case of less than 1 sec.



- In case of 1 sec. or more



File number of 1000 or after is displayed as “---“



(In case of BT-Audio)

Due to the Bluetooth device limitation, the track number cannot be displayed.



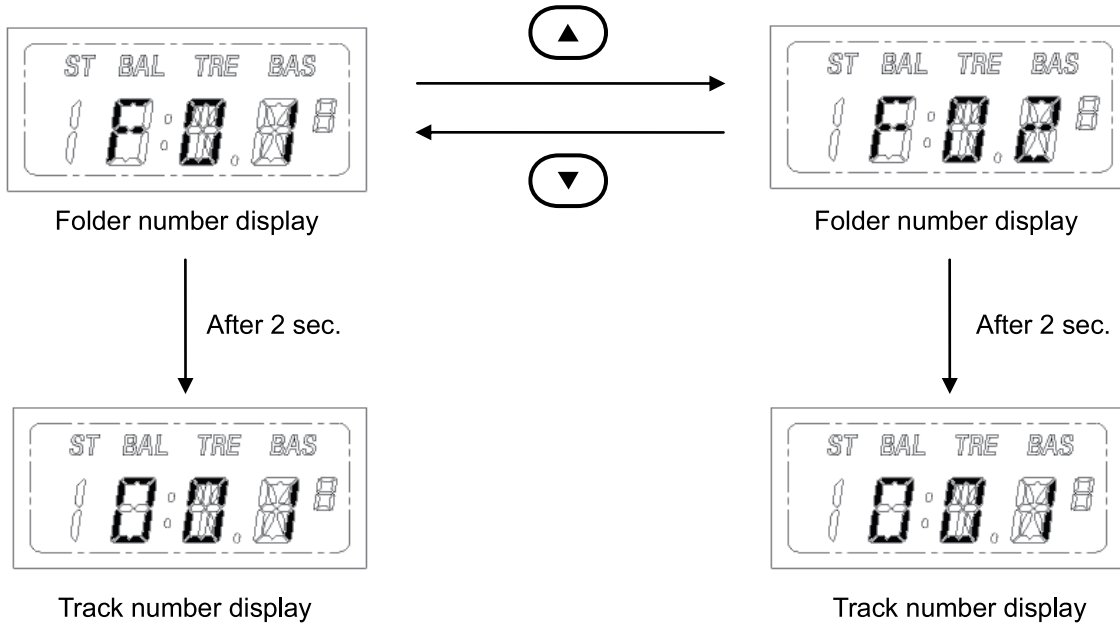
## [2. MACHINE FAMILIARIZATION]

### FOLDER FORWARD/BACKWARD (USB)

A folder in the USB memory can be changed to another one to play MP3 files.

The numbers are also allocated to folders not including tracks capable of playing, so that during changing the folder forward/backward, sometimes the number is skipped.

Moreover, the root is F00.



Folder number of 100 or after is displayed as "---"



(In case of iPhone/iPod)

An album can be changed forward/backward.

However, depending on the type of the iPhone/iPod connected, the track change may occur.

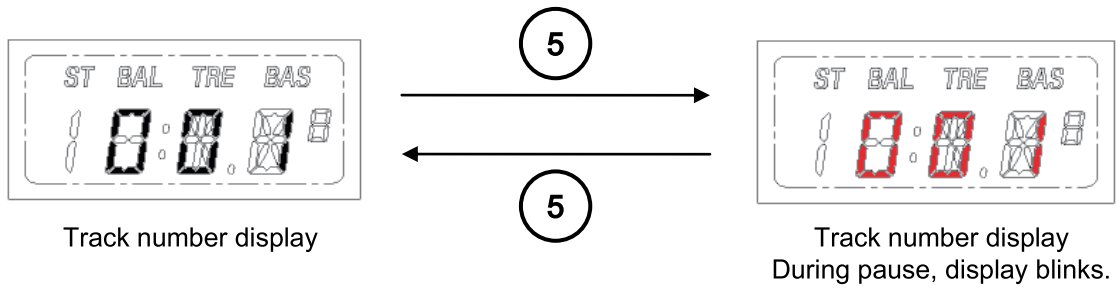
(Depending on the type of the iPhone/iPod)



PAUSE (USB AND BT-AUDIO)

While the USB memory or BT-Audio is being played, press [PRESET 5] to pause the track.  
By pressing [PRESET 5] again, the track starts playing.

(In case of USB)



(In case of BT-Audio)

Due to the Bluetooth device limitation, during pause, the display does not blink.

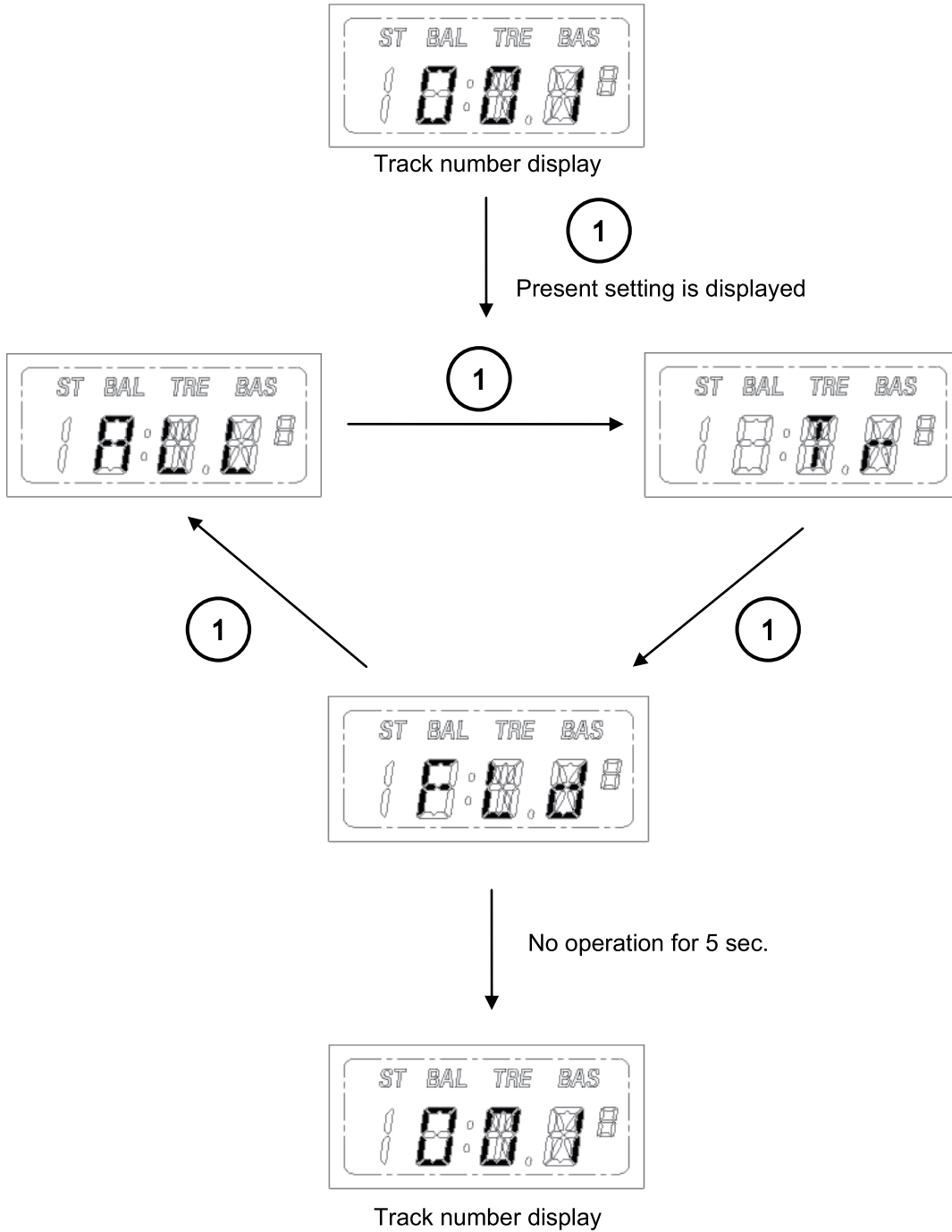
## [2. MACHINE FAMILIARIZATION]

### REPEAT (USB)

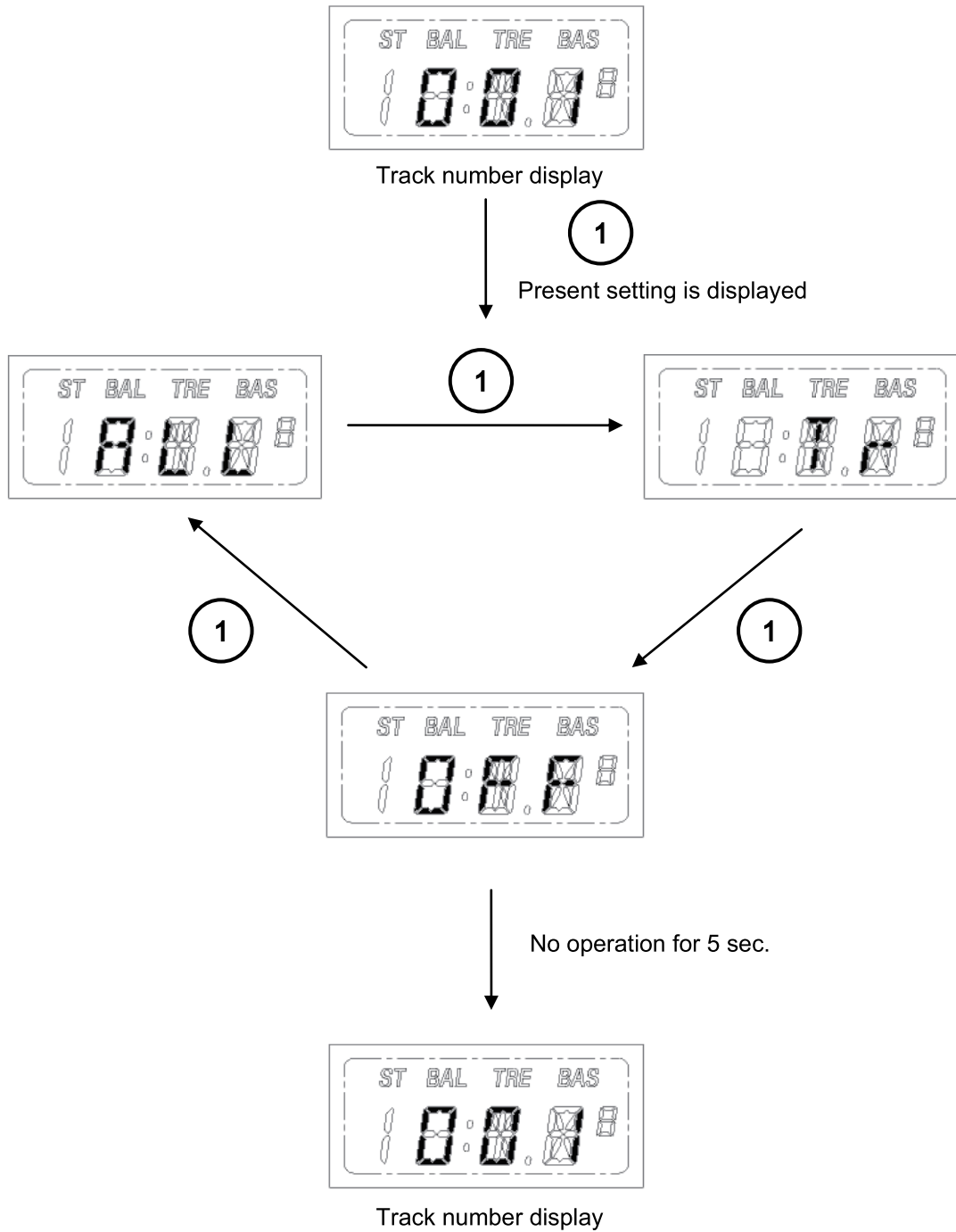
While the USB memory is being played, press [PRESET 1] to display the present setting.  
Then, by pressing [PRESET 1], the setting is changed.

As for the setting of repeat and random, the last setting is effective.

(In case of USB memory)



(In case of iPhone/iPod)



2

According to the iPhone/iPod, the order of change is different.  
Also, the display and the actual setting may be different.

## [2. MACHINE FAMILIARIZATION]

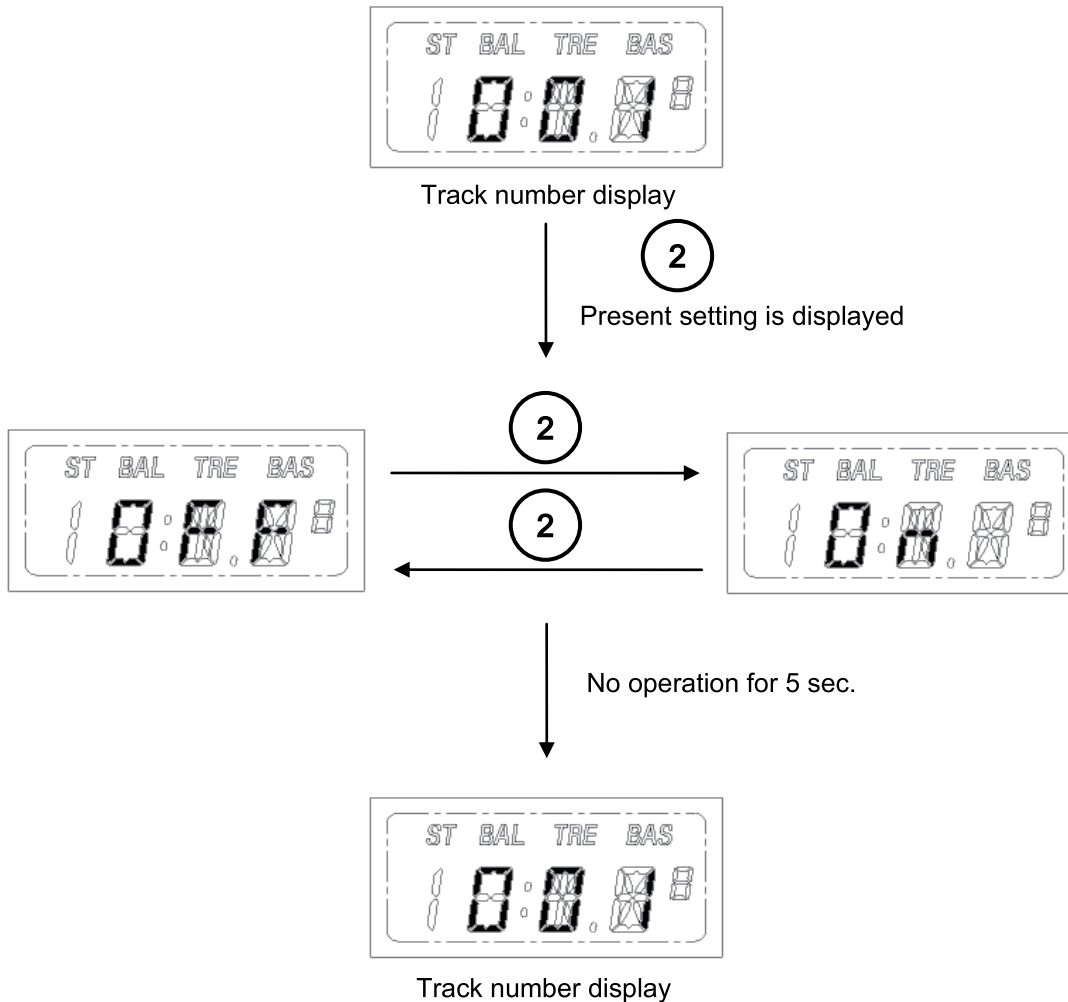
### RANDOM (USB)

While the USB memory is being played, press [PRESET 2] to display the present setting.  
Then, by pressing [PRESET 2], the setting is changed.

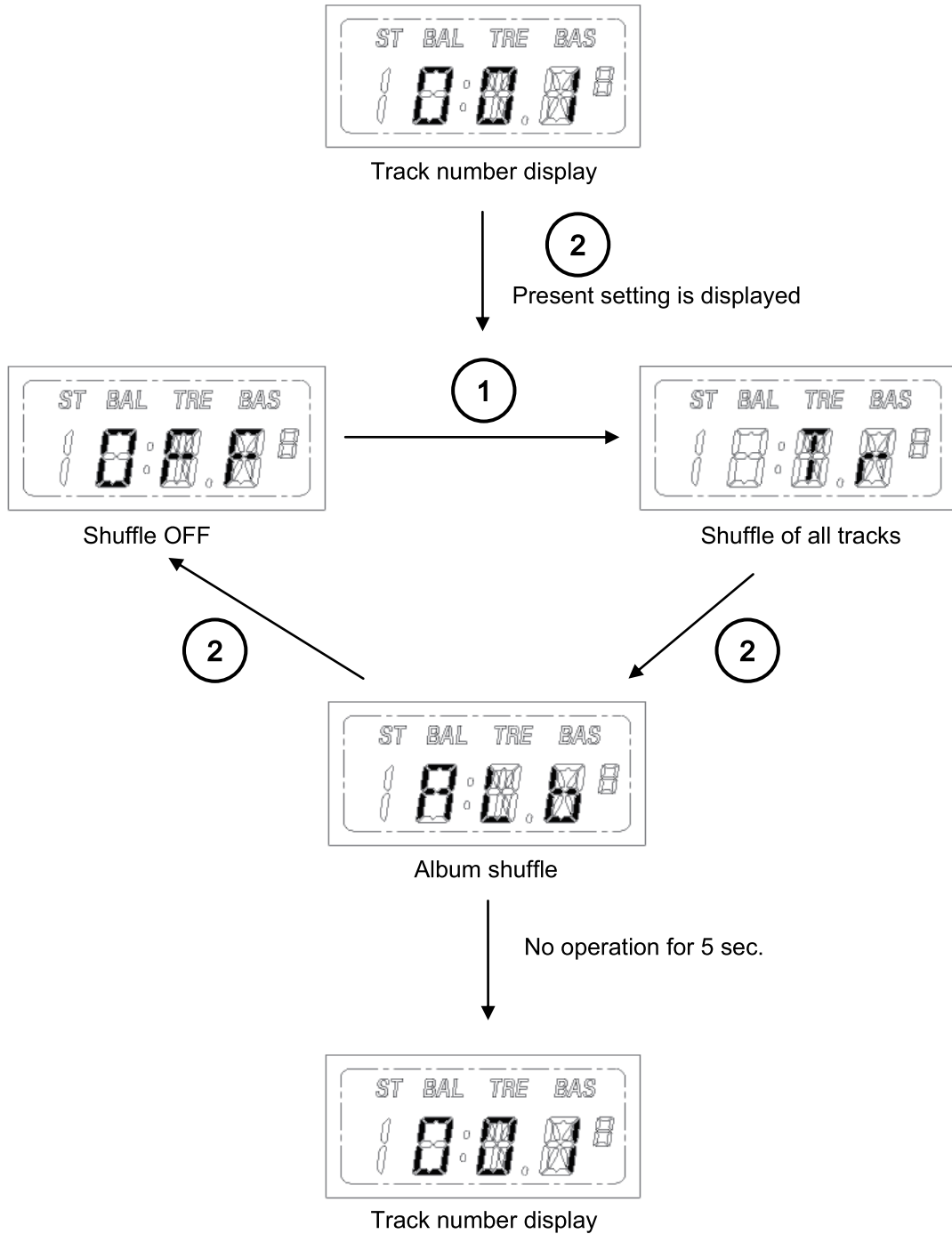
The range of the track being played  $\pm 128$  track files in the sorted order is played randomly.

As for the setting of repeat and random, the last setting is effective.

(In case of USB memory)



(In case of iPhone/iPod)



2

Depending on the type of the iPhone/iPod connected, the album shuffle is not available.  
 (Depending on the type of the iPhone/iPod)

## 2.9.9 VOLUME CONTROL

If [VOL +] key is pressed under the on-air (normal) condition, the volume level is increased by 1 step.

The setting range is 0 to 32 steps.

Pressing and holding the key makes the volume increase consecutively.

By pressing [VOL -] key, the volume level is decreased by 1 step.

Pressing and holding the key makes the volume decrease consecutively.

Approximately 1.0 sec. after the finish of the operation, the display returns to the on-air condition.

As for the volume level, at the status of radio (AM/FM1/FM2), AUX, USB, and Bluetooth Audio, it is controlled respectively.

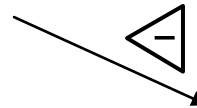
{As for "SOUND ADJUSTMENT" (TRE, BAS, BAL) described below, the radio, AUX, USB, and Bluetooth Audio are set commonly.}

{In case that selected band is FM1 (sound level of 11)}



Frequency display

(When stereo sound is received, "ST" pict turns on)



Volume level display



Volume level display



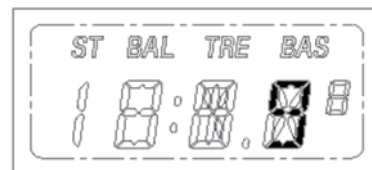
(Pressed and held)



(Pressed and held)



Volume level display



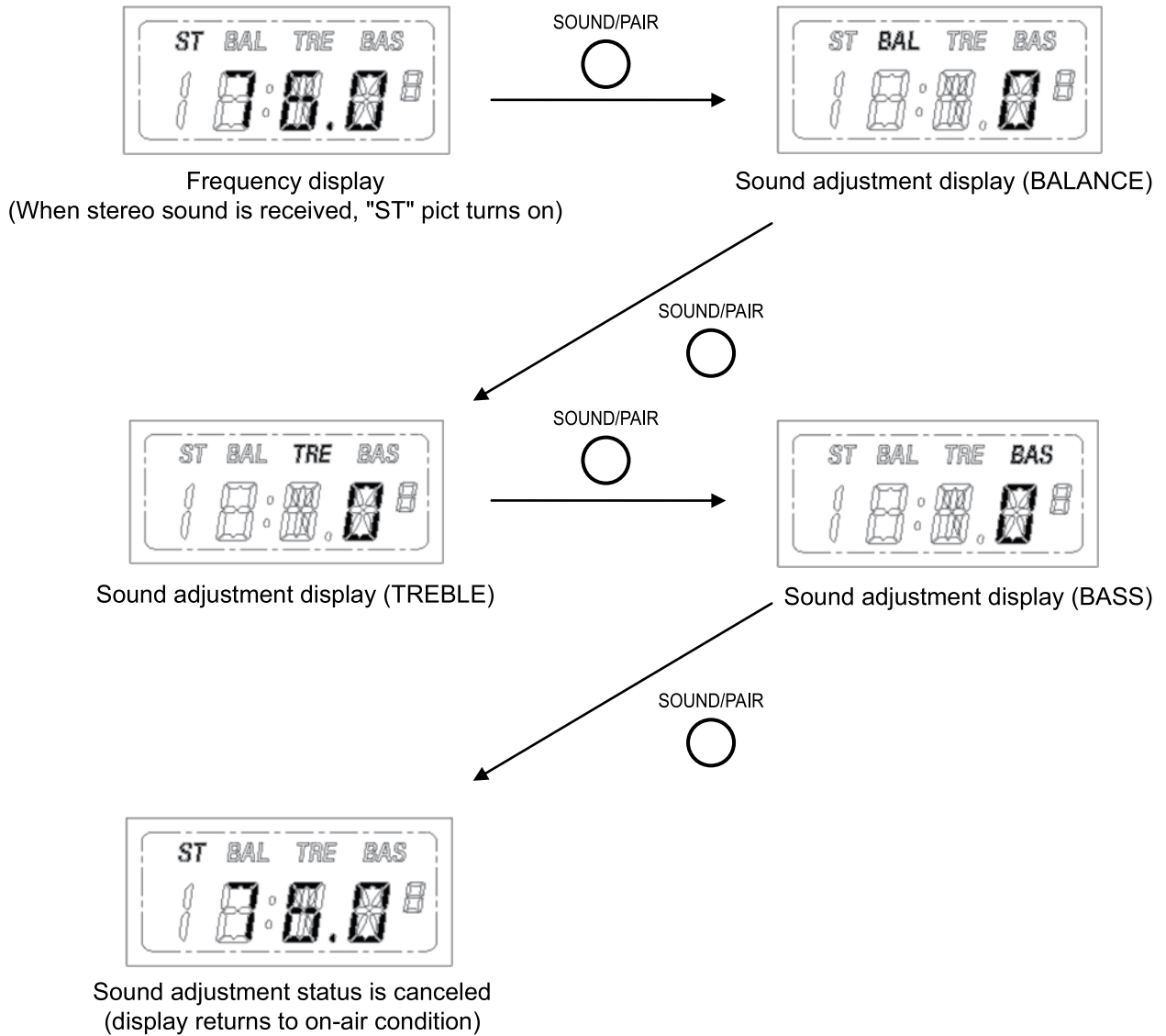
Volume level display

## 2.9.10 SOUND ADJUSTMENT

### SOUND ADJUSTMENT

With the radio component in the on-air (normal) condition, press [SOUND/PAIR] key to enter the sound adjustment. By pressing [SOUND/PAIR] key repeatedly, the adjustment item is switched through BAL→TRE→BAS. With the radio component in the BAS condition, by pressing [SOUND/PAIR] key, the sound adjustment status is canceled and the display returns to the on-air condition.

(In case that selected band is FM1)



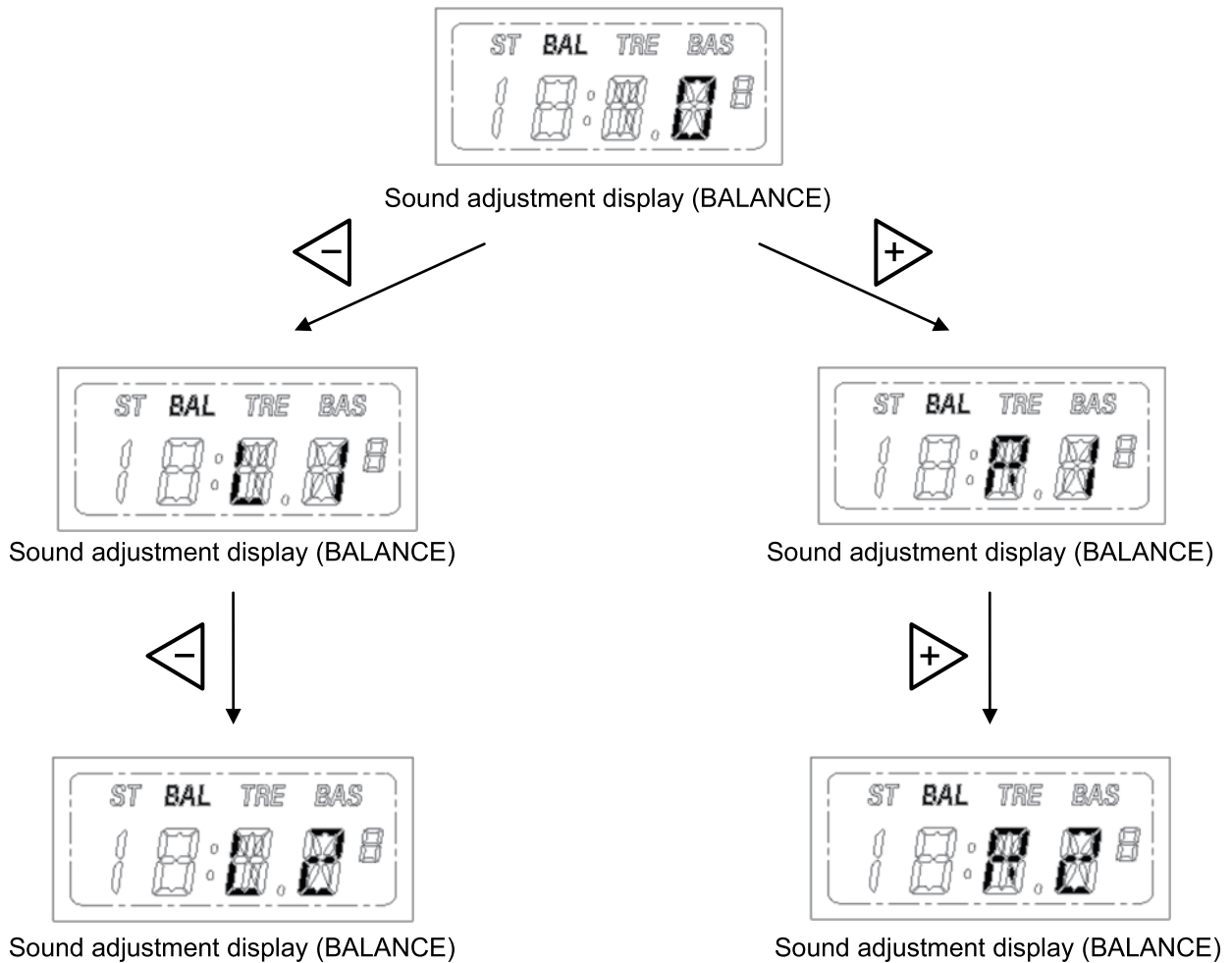
## [2. MACHINE FAMILIARIZATION]

### SOUND ADJUSTMENT (BALANCE)

With the radio component in the sound adjustment (balance) condition, press [UP] key to increase the speaker output by 1 step towards the R output.

Press [DOWN] key to increase the speaker output by 1 step towards the L output.

The setting range is L7 to R7 regarding 0 as the center. (L7 - 0 - R7)



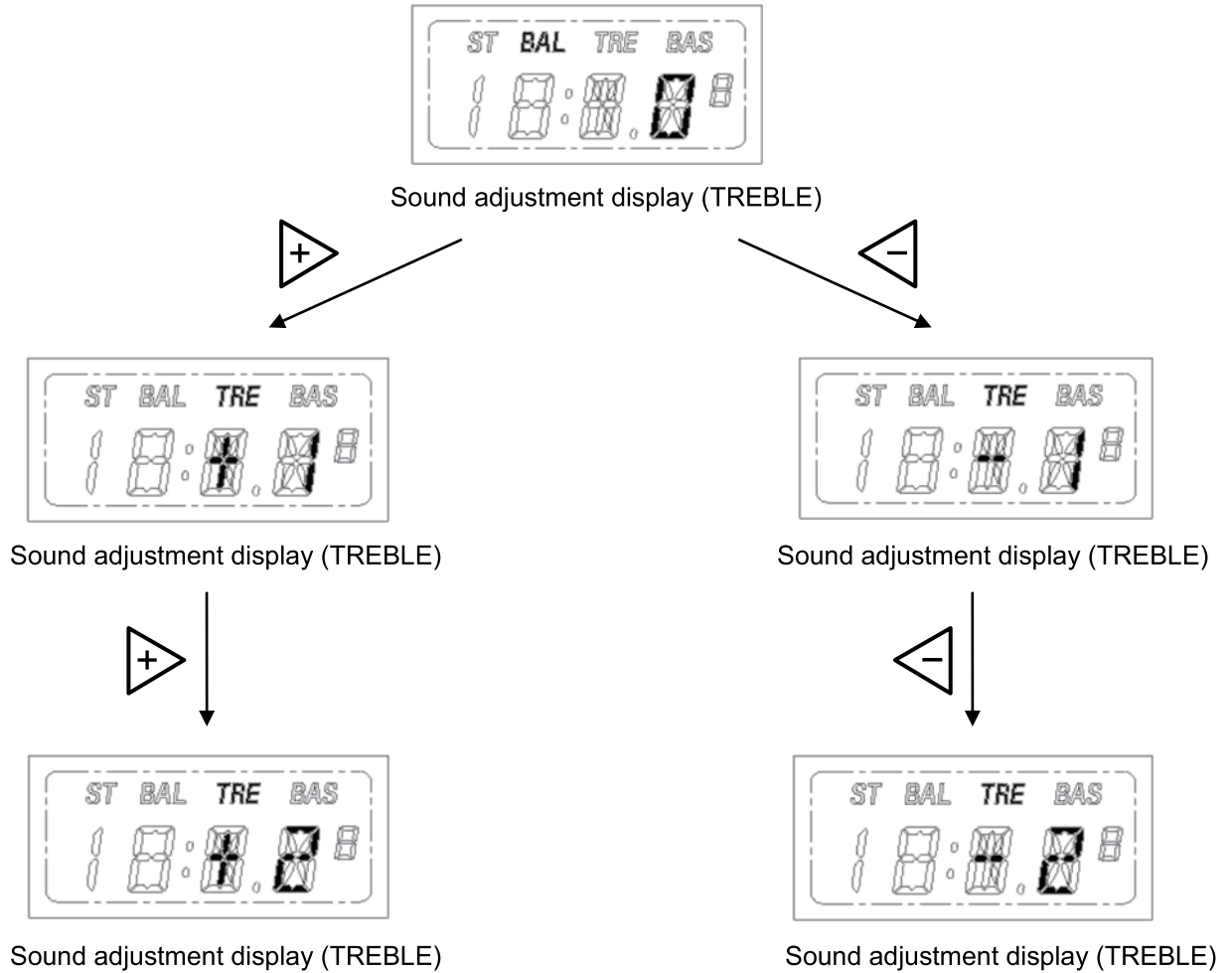


SOUND ADJUSTMENT (TREBLE)

With the radio component in the sound adjustment (treble) condition, press [UP] key to increase the treble level by 1 step.

Press [DOWN] key to decrease the treble level by 1 step.

The setting range is -7 to +7 regarding 0 as the center. (-7 - 0 - +7)



2

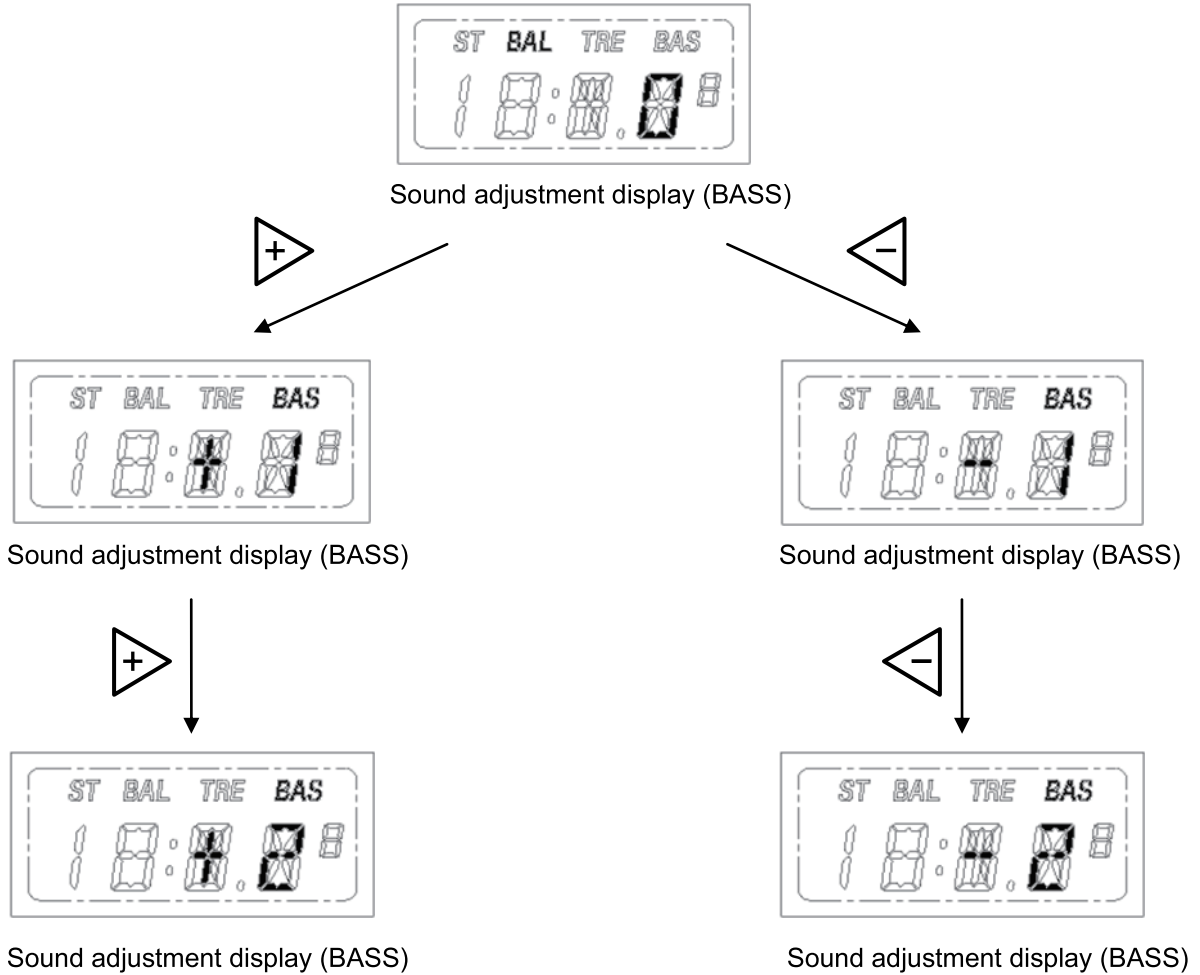
## [2. MACHINE FAMILIARIZATION]

### SOUND ADJUSTMENT (BASS)

With the radio component in the sound adjustment (bass) condition, press [UP] key to increase the bass level by 1 step.

Press [DOWN] key to decrease the bass level by 1 step.

The setting range is -7 to +7 regarding 0 as the center. (-7 - 0 to -7)



## 2.9.11 CLOCK ADJUSTMENT

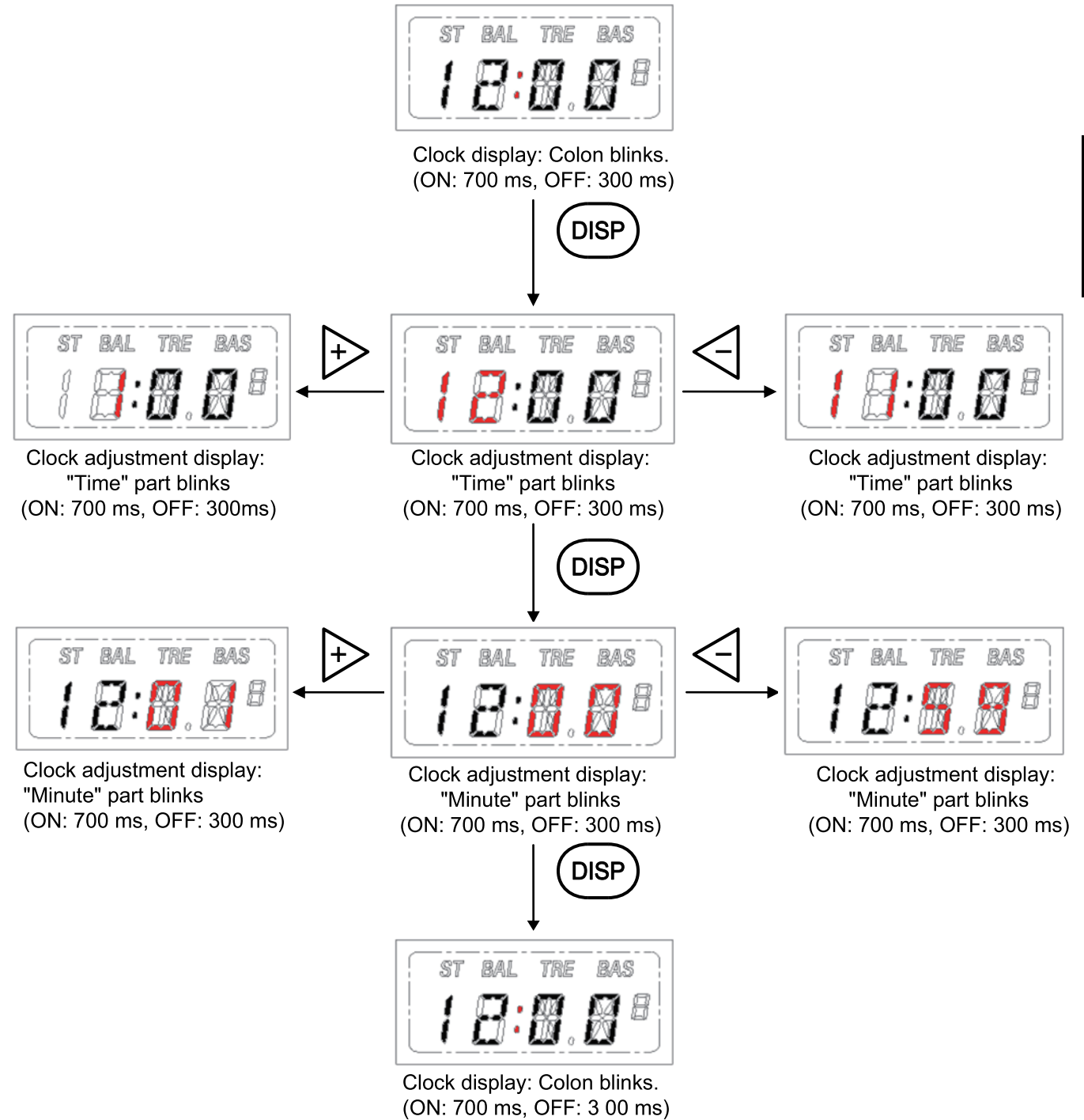
With the radio component in the clock display condition, press [DISP] key to enter the clock adjustment.

In the clock adjustment, by pressing [DISP] key, the adjustment target changes from time to minute (the adjustment target blinks). Then press [UP] or [DOWN] key to adjust time and minute respectively.

With the radio component in the minute adjustment condition, by pressing [DISP] key, the clock adjustment status is canceled.

(From this time, the second counting starts internally.)

\* The clock display is 12 hours display.



## 2.9.12 DESCRIPTION OF BUILT-IN WIRELESS EQUIPMENT

Bluetooth radio

### Apply Standard radio



Hereby, Tokai Rika Create Corporation, declares that the radio equipment type TK-R2 is in compliance with Directive 2014/53/EU.

The full text of the EU declaration of conformity is available at the following internet address:

<http://torica.co.jp/>

С настоящото, Tokai Rika Create Corporation, декларира, че този тип радиосъоръжение TK-R2 е в съответствие с Директива 2014/53/ЕС.

Цялостният текст на ЕС декларацията за съответствие може да се намери на следния интернет адрес:

<http://torica.co.jp/>

Tímto Tokai Rika Create Corporation, prohlašuje, že typ rádiového zařízení TK-R2 je v souladu se směrnicí 2014/53/EU.

Úplné znění EU prohlášení o shodě je k dispozici na této internetové adrese:

<http://torica.co.jp/>

Hermed erklærer Tokai Rika Create Corporation, at radioudstyrstypen TK-R2 er i overensstemmelse med direktiv 2014/53/EU.

EU-overensstemmelseserklæringens fulde tekst kan findes på følgende internetadresse:

<http://torica.co.jp/>

Hiermit erklärt Tokai Rika Create Corporation, dass der Funkanlagentyp TK-R2 der Richtlinie 2014/53/EU entspricht.

Der vollständige Text der EU-Konformitätserklärung ist unter der folgenden Internetadresse verfügbar:

<http://torica.co.jp/>

Käesolevaga deklareerib Tokai Rika Create Corporation, et käesolev raadioseadme tüüp TK-R2 vastab direktiivi 2014/53/EL nõuetele.

ELi vastavusdeklaratsiooni täielik tekst on kättesaadav järgmisel internetiaadressil:

<http://torica.co.jp/>

Με την παρούσα ο/η Tokai Rika Create Corporation, δηλώνει ότι ο ραδιοεξοπλισμός TK-R2 πληροί την οδηγία 2014/53/ΕΕ.

Το πλήρες κείμενο της δήλωσης συμμόρφωσης ΕΕ διατίθεται στην ακόλουθη ιστοσελίδα στο διαδίκτυο:

<http://torica.co.jp/>

Por la presente, Tokai Rika Create Corporation, declara que el tipo de equipo radioeléctrico TK-R2 es conforme con la Directiva 2014/53/UE.

El texto completo de la declaración UE de conformidad está disponible en la dirección Internet siguiente:

<http://torica.co.jp/>

Le soussigné, Tokai Rika Create Corporation, déclare que l'équipement radioélectrique du type TK-R2 est conforme à la directive 2014/53/UE.

Le texte complet de la déclaration UE de conformité est disponible à l'adresse internet suivante:

<http://torica.co.jp/>

Il fabbricante, Tokai Rika Create Corporation, dichiara che il tipo di apparecchiatura radio TK-R2 è conforme alla direttiva 2014/53/UE.

Il testo completo della dichiarazione di conformità UE è disponibile al seguente indirizzo Internet:

<http://torica.co.jp/>

Ar šo Tokai Rika Create Corporation deklarē, ka radioiekārta TK-R2 atbilst Direktīvai 2014/53/ES.

Pilns ES atbilstības deklarācijas teksts ir pieejams šādā interneta vietnē:

<http://torica.co.jp/>

Aš, Tokai Rika Create Corporation, patvirtinu, kad radijo įrenginių tipas TK-R2 atitinka Direktyvą 2014/53/ES.

Visas ES atitikties deklaracijos tekstas prieinamas šiuo interneto adresu:

<http://torica.co.jp/>

Tokai Rika Create Corporation ovime izjavljuje da je radijska oprema tipa TK-R2 u skladu s Direktivom 2014/53/EU.

Cjeloviti tekst EU izjave o sukladnosti dostupan je na sljedećoj internetskoj adresi:

<http://torica.co.jp/>

## [2. MACHINE FAMILIARIZATION]

---

Tokai Rika Create Corporation igazolja, hogy a TK-R2 típusú rádióberendezés megfelel a 2014/53/EU irányelvnek.

Az EU-megfelelőségi nyilatkozat teljes szövege elérhető a következő internetes címen:

<http://torica.co.jp/>

B'dan, Tokai Rika Create Corporation, niddikjara li dan it-tip ta' tagħmir tar-radju TK-R2 huwa konformi mad-Direttiva 2014/53/UE.

It-test kollu tad-dikjarazzjoni ta' konformità tal-UE huwa disponibbli f'dan l-indirizz tal-Internet li ġej:

<http://torica.co.jp/>

Hierbij verklaar ik, Tokai Rika Create Corporation, dat het type radioapparatuur TK-R2 conform is met Richtlijn 2014/53/EU.

De volledige tekst van de EU-conformiteitsverklaring kan worden geraadpleegd op het volgende internetadres:

<http://torica.co.jp/>

Tokai Rika Create Corporation niniejszym oświadcza, że typ urządzenia radiowego TK-R2 jest zgodny z dyrektywą 2014/53/UE.

Pełny tekst deklaracji zgodności UE jest dostępny pod następującym adresem internetowym:

<http://torica.co.jp/>

O(a) abaixo assinado(a) Tokai Rika Create Corporation declara que o presente tipo de equipamento de rádio TK-R2 está em conformidade com a Diretiva 2014/53/UE.

O texto integral da declaração de conformidade está disponível no seguinte endereço de Internet:

<http://torica.co.jp/>

Prin prezenta, Tokai Rika Create Corporation declară că tipul de echipamente radio TK-R2 este în conformitate cu Directiva 2014/53/UE.

Textul integral al declarației UE de conformitate este disponibil la următoarea adresă internet:

<http://torica.co.jp/>

Tokai Rika Create Corporation týmto vyhlasuje, že rádiové zariadenie typu TK-R2 je v súlade so smernicou 2014/53/EÚ.

Úplné EÚ vyhlásenie o zhode je k dispozícii na tejto internetovej adrese:

<http://torica.co.jp/>

Tokai Rika Create Corporation potrjuje, da je tip radijske opreme TK-R2 skladen z Direktivo 2014/53/EU.

Celotno besedilo izjave EU o skladnosti je na voljo na naslednjem spletnem naslovu:

<http://torica.co.jp/>

Tokai Rika Create Corporation vakuuttaa, että radiolaitetyyppi TK-R2 on direktiivin 2014/53/EU mukainen.

EU-vaatimustenmukaisuusvakuutuksen täysimittainen teksti on saatavilla seuraavassa internetosoitteessa:

<http://torica.co.jp/>

Härmed försäkrar Tokai Rika Create Corporation att denna typ av radioutrustning TK-R2 överensstämmer med direktiv 2014/53/EU.

Den fullständiga texten till EU-försäkran om överensstämmelse finns på följande webbadress:

<http://torica.co.jp/>

Tokai Rika Create Corporation erklærer herved at radioustyrstypen TK-R2 er i samsvar med direktiv 2014/53/EU.

Den fullstendige teksten til EUs samsvarserklæring er tilgjengelig på følgende internettadresse:

<http://torica.co.jp/>

Böylelikle, Tokai Rika Create Corporation, TK-R2 radyo ekipmanı tipinin 2014/53/AB Direktifi ile uyumlu olduğunu beyan eder.

AB uygunluk beyanının tam metni aşağıdaki internet adresinde mevcuttur:

<http://torica.co.jp/>

## TORICA

Tokai Rika Create Corporation

2-3-10, Aoi,Higashi-ku,Nagoya 461-0004,JAPAN

Note

Importer's name and address will be officially listed on separate construction machine maker instruction manual.

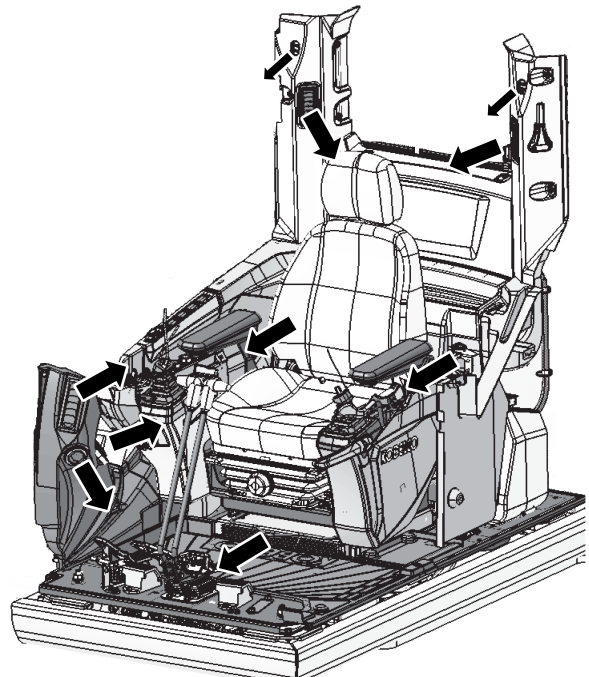
## 2.10 AIR CONDITIONER

The air conditioner can adjust the temperature inside the cab and dehumidify the cab.

The air conditioner is located under the cover at the back of the operator's seat and sends out warm and cool air in the cab.

### 2.10.1 GRILLE (AIR OUTLET)

Select air stream in preferable direction by hand.



---

**CAUTION**

After replacing the parts, or charging or replacing refrigerant gas, break in the air conditioner.

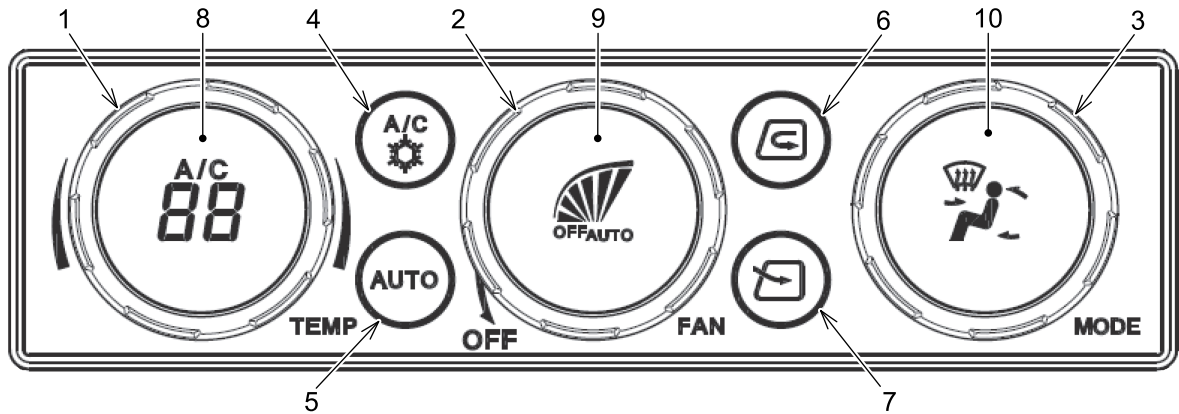
When breaking in the air conditioner, be sure to set the engine speed to low speed.

Never start the air conditioner with the high engine speed. This might cause failure of the air conditioner.

---



## 2.10.2 AIR CONDITIONER CONTROL PANEL



Item	Name	Item	Name	Item	Name
1	Temperature setting dial	5	AUTO control switch	9	(Fan speed/AUTO/OFF) LCD display
2	Fan speed selector dial	6	Recirculation air selector switch	10	(Air outlet mode) LCD display
3	Air outlet mode selector dial	7	Fresh air selector switch		
4	Compressor switch	8	(Temperature/A/C) LCD display		

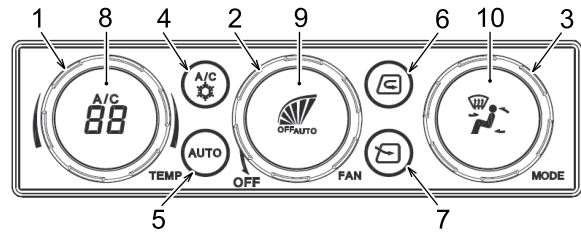
**Notice**

- (Temperature/A/C) LCD display (8) displays temperature and ON/OFF of the compressor; (fan speed/AUTO/OFF) LCD display (9) displays blower fan speed, AUTO, and OFF; and (air outlet mode) LCD display (10) displays air outlet mode.
- Each of switches (4 to 7) turns on the indicator (amber) when the item is being selected.
- Each of switches (4 to 7) and displays (TEMP/FAN/MODE/COOL displayed in blue/HOT displayed in red) are equipped with illumination at night. (COOL displayed in blue, HOT displayed in red, and others displayed in white)

## 2.10.3 AIR CONDITIONER OPERATION PANEL

### MAIN POWER SWITCH AND DISPLAY

- When the panel is OFF, "OFF" is displayed on (fan speed/AUTO/OFF) LCD display (9).
- When the panel is OFF, if fan speed selector dial (2) is operated clockwise, or AUTO control switch (5) is pressed down, the panel becomes ON and air conditioner control starts.



Operating fan speed selector dial (2) is operated clockwise: Operation starts with the fan speed Lo (manual) (other than the fan speed, the setting is the same as the previous operation)

Pressing down AUTO control switch (5): FULL AUTO operation starts

- If the fan speed selector dial (2) is operated counterclockwise with the fan speed set to Lo, the panel becomes OFF.
- The air conditioner operation also turns OFF when the starter switch is turned OFF. However, if turned OFF with this switch, the status of the control panel just before turning OFF is sometimes not recalled when the starter switch is turned ON again.

### FAN SPEED SELECTION AND DISPLAY

In the manual selection, (fan speed/AUTO/OFF) LCD display (9) is like the following.

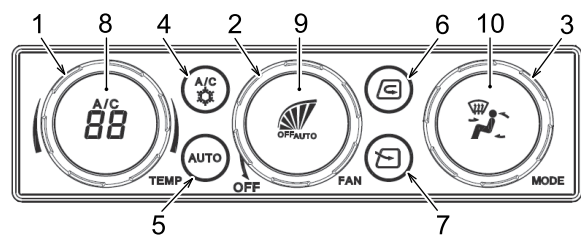
Fan speed	Lo (Min.flow)	M1	M2	M3	M4	Hi (Max. flow)
LCD display						

By operating fan speed selector dial (2) in UP (turning clockwise) or DOWN (turning counterclockwise) direction manually, the AUTO control of fan speed is canceled, and "AUTO" on (fan speed/AUTO/OFF) LCD display (9) is turned OFF.

### COMPRESSOR ON/OFF SWITCHING AND DISPLAY

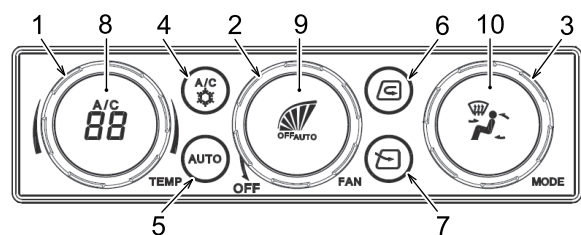
When compressor switch (4) is pressed with "A/C" on (temperature/A/C) LCD display (8) turned OFF and the indicator of compressor switch (4) turned OFF, the compressor turns ON and then "A/C" on (temperature/A/C) LCD display (8) turns ON and the indicator of compressor switch (4) turns ON.

If the compressor switch is pressed again, the compressor turns OFF and "A/C" on (temperature/A/C) LCD display (8) and the indicator of compressor switch (4) turn OFF.



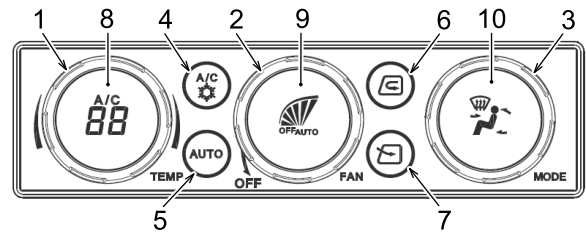
### AUTO CONTROL SWITCHING AND DISPLAY

- "AUTO" on (fan speed/AUTO/OFF) LCD display (9) turns ON only when both the fan speed and the air outlet are under AUTO control.
- When AUTO control switch (5) is pressed, the fan speed and the air outlet become under the AUTO control, and "AUTO" on (fan speed/AUTO/OFF) LCD display (9) turns ON.
- When the panel is OFF, if AUTO control switch (5) is turned ON, the air conditioner function becomes ON. However, both the fan speed and the air outlet become AUTO control.



## TEMPERATURE SETTING SELECTION AND DISPLAY

- The set temperature in digital display appears on (temperature/A/C) LCD display (8). The range of temperature setting is from 18 to 32 degrees C (64 to 90 degrees F).
- When changing the set temperature, operate temperature setting dial (1) clockwise (UP) or counterclockwise (DOWN)  
The increment and decrement of both UP and DOWN are 1 degree C.
- The set temperature of 18 degrees C (64 degrees F) is the maximum cooling and that of 32 degrees C (90 degrees F) is the maximal heating control. And the both control do not operate by targeting the set temperature.
- The set temperature display can be switched from/to degrees F to/from degrees C.  
With the panel turned ON, if recirculation air selector switch (6) and fresh air selector switch (7) are pressed simultaneously for 5 seconds or more, the "degrees F/C" display is switched (No unit is displayed).

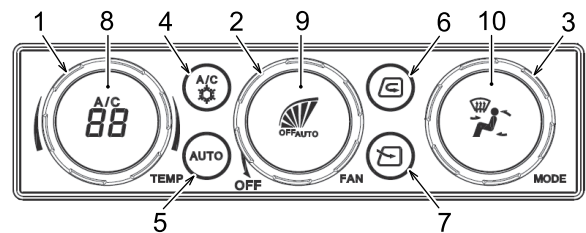


## LCD DISPLAY

Celsius (degrees C): LO, 19 to 31, HI  
 Fahrenheit (degrees F): LO, 65 to 89, HI

## RECIRCULATION AIR SELECTION AND DISPLAY

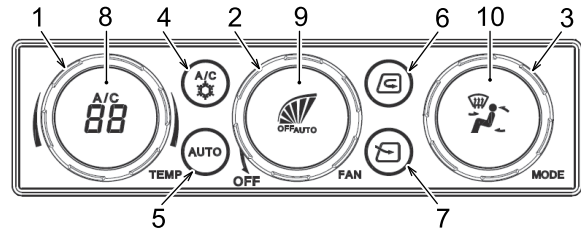
- With the fresh air intake condition {with the indicator of fresh air selector switch (7) turned ON}, if recirculation air selector switch (6) is pressed, it will switch the setting to recirculation air and the indicator of recirculation air selector switch (5) turns ON.
- With the recirculation air condition {with the indicator of recirculation air selector switch (6) turned ON}, if fresh air selector switch (7) is pressed, it will switch the setting to fresh air intake and the indicator of fresh air selector switch (7) turns ON.



## [2. MACHINE FAMILIARIZATION]

### AIR OUTLET MODE SELECTION AND DISPLAY

- The current air outlet mode position is displayed with arrow(s) on (air outlet mode) LCD display (10).
- With "AUTO" turned ON, if air outlet mode selector dial (3) is operated, the mode displayed at that time is fixed. Then "AUTO" on (fan speed/AUTO/OFF) LCD display (9) turns OFF, and the AUTO control of the air outlet is released.



\* The AUTO control of the air outlet is also released even when only the air outlet is under the AUTO control (with "AUTO" turned OFF).

#### <Air outlet mode and display>

Mode	1	2	3	4	5
Air outlet mode	FACE	VENT	B/L	F/D	DEF
	Upper body (front side)	Upper body	Upper body and foot	Foot and front glass	Defroster
LCD display					

- When air outlet mode selector dial (3) is operated clockwise in the manual control, the mode is switched through Mode 1 → Mode 2 → Mode 3 → Mode 4 → Mode 5.
- When air outlet mode selector dial (3) is operated counterclockwise in the manual control, the mode is switched through Mode 5 → Mode 4 → Mode 3 → Mode 2 → Mode 1.

## 2.10.4 HOW TO USE AIR CONDITIONER

Before turning the air conditioner on, close the doors and windows of the cab to achieve the best performance as an automatic air conditioner.

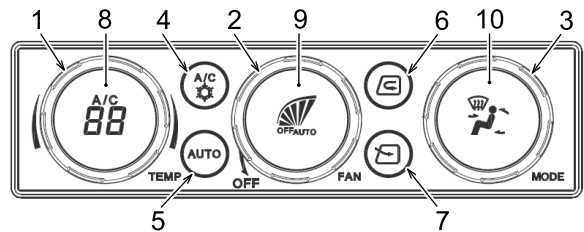
### COOLING METHOD

#### **CAUTION**

To avoid freezing of the evaporator, do not operate the air conditioner for a long time in the COOL-MAX set temperature with the LO airflow.

If it is frozen and cool air does not flow any longer, turn compressor switch (4) off, set the temperature high, operate the air conditioner with the maximum airflow "HI", and then turn compressor switch (4) "ON".

1. Operate fan speed selector dial (2) clockwise or press AUTO control switch (5).
2. Operate fan speed selector dial (2) clockwise and set the fan speed HI.
3. Operate temperature setting dial (1) and set a desired temperature.
4. Press compressor switch (4).
5. Press recirculation air selector switch (6) to select recirculation air.
6. Operate air outlet mode selector dial (3) and select the VENT outlet (mode 2).
7. When the temperature inside the cab becomes low, adjust to the temperature and the fan speed to desired levels.  
When AUTO control switch (5) is pressed, the temperature, fan speed, and mode selection become automatic control.



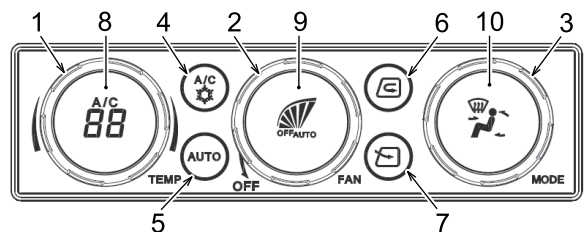
2

### HEATING METHOD

#### **CAUTION**

The engine coolant is used for heating, and it is possible to heat the air when the temperature of the coolant is high.

1. Operate fan speed selector dial (2) clockwise or press AUTO control switch (5).
2. Operate fan speed selector dial (2) clockwise and set the fan speed HI.
3. Operate temperature setting dial (1) and set a desired temperature.
4. Press fresh air selector switch (7) to select fresh air intake.
5. Operate air outlet mode selector dial (3) and select the foot and front glass outlet (mode 4).
6. When the temperature inside the cab becomes high, adjust to the temperature and the fan speed to desired levels.  
When AUTO control switch (5) is pressed, the temperature, fan speed, and mode selection become automatic control.



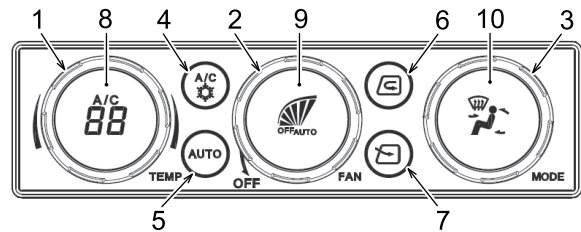
## [2. MACHINE FAMILIARIZATION]

### METHOD OF HEATING WITH DEHUMIDIFICATION AND DEMISTING

#### Note

When the outdoor temperature is 0 degrees C (32 degrees F) or lower, the air conditioner (compressor) may not work.




1. Operate fan speed selector dial (2) clockwise or press AUTO control switch (5).
2. Operate fan speed selector dial (2) and set a desired fan speed.
3. Operate temperature setting dial (1) and set a desired temperature.
4. Press fresh air selector switch (7) to select fresh air intake.
5. Press compressor switch (4) to operate the air conditioner (compressor).



## 2.10.5 SELF-DIAGNOSIS FUNCTION IN DISPLAY MONITOR



If there are problems on the input circuit of the driving line in the motor actuator, they can be checked on the panel display.

### <Display for detection of motor actuator disconnection/short circuit and motor lock>

Error	Error	
Air mix	· Displays "Er" on temperature display segment	
Air outlet mode	· Blinks human indication	
Switching recirculation air and fresh air	· Blinks indicators of recirculation air selector switch and fresh air selector switch	

When a failure occurs in the input circuit of the evaporator sensor or the recirculation air sensor, it can be checked by the panel display.

### <Display for detection of disconnection/short circuit of recirculation air sensor and evaporator sensor>

Error	Error	
Recirculation air sensor	· Displays "E*" on temperature display (last digit displays 0 to 9) · Turns off AUTO display	
Evaporator sensor	· Blinks A/C mark on (temperature/A/C) LCD display and indicator of compressor switch	

#### Error detection of each sensor from monitor mode function

- With the panel turned ON, if the compressor switch and the AUTO control switch are pressed simultaneously for 1 second or more, the display is switched to the monitor mode. To return to the previous display, perform the same operation.
- The normal status, disconnection, and short circuit of the recirculation air sensor and the evaporator sensor are shown in segment display.

## [2. MACHINE FAMILIARIZATION]

### <Contents of LCD display in monitor mode>

Display No.		Display data (displayed in 7 segments and 2 digits)	
No.	Fan speed in bar display	Display in decimal system (0 to 99) *A/C segment is OFF <b>88</b>	Display in hexadecimal system (0 to FF) *A/C segment is ON <b>A/C 88</b>
0		Recirculation air sensor Temperature (degrees C)	Recirculation air sensor AD value
1		Evaporator sensor Temperature (degrees C)	Evaporator sensor AD value

UP by recirculation air selector switch

DOWN by fresh air selector switch

Switched by compressor switch

		1st digit in segment display															
		0	1	2	3	4	5	6	7	8	9	A	B	C	D	E	F
2nd digit in segment display	0	Recirculation air sensor disconnection "0C" display															
	1	Evaporator sensor disconnection "0C" display															
	2	Each sensor is normal															
	3																
	4																
	5																
	6																
	7																
	8																
	9																
	A																
	B																
	C																
	D																
	E																
	F																
		Recirculation air sensor short "F6" Display								Evaporator sensor short "F6" Display							

### <Contents of error display>

Sensor Name	Short Display	Disconnection Display
Recirculation air sensor	<b>F6</b>	<b>0C</b>
Evaporator sensor	<b>F6</b>	<b>0C</b>

## 2.10.6 HANDLING AT IN-SEASON/OFF-SEASON

### IN-SEASON

To use the air conditioner for a long time comfortably, contact your KOBELCO authorized dealer for inspection and maintenance of the air conditioner at the beginning of in-season of cooling.

### OFF-SEASON

During off-season, operate the air conditioner at least once a week for several minutes.

The oil shortage at each part of the compressor will be prevented by operating the air conditioner and it will always be kept in the best condition.



## 2.11 HANDLING OF SEAT BELT



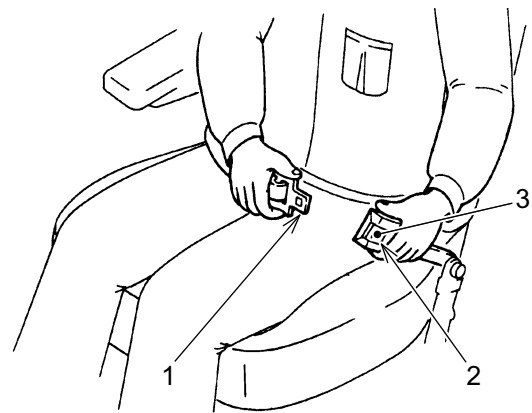
### INSTALLATION OF SEAT BELT

- Be sure to fasten your seat belt during operation. If not followed, it can result in serious accidents or death caused by being heavily hit inside the cab or thrown out of the cab when the machine tips/rolls over.
- Check the mounting bolts installed to the seat for looseness and retighten the bolts if required.
- Change the seat belt every three years, even if there is no abnormality in the appearance. The manufacturing date is woven into the back side of the belt.

Since this seat belt is equipped with take-up motion, the adjustment of length is unnecessary.

### 2.11.1 HOW TO FASTEN SEAT BELT

1. Check that the seat belt is not twisted, and pull it out to a sufficient length.
2. Insert the seat belt into buckle (2) until it clicks. Release the seat belt, and the length is automatically adjusted and the buckle is locked.



2

### 2.11.2 HOW TO UNFASTEN SEAT BELT

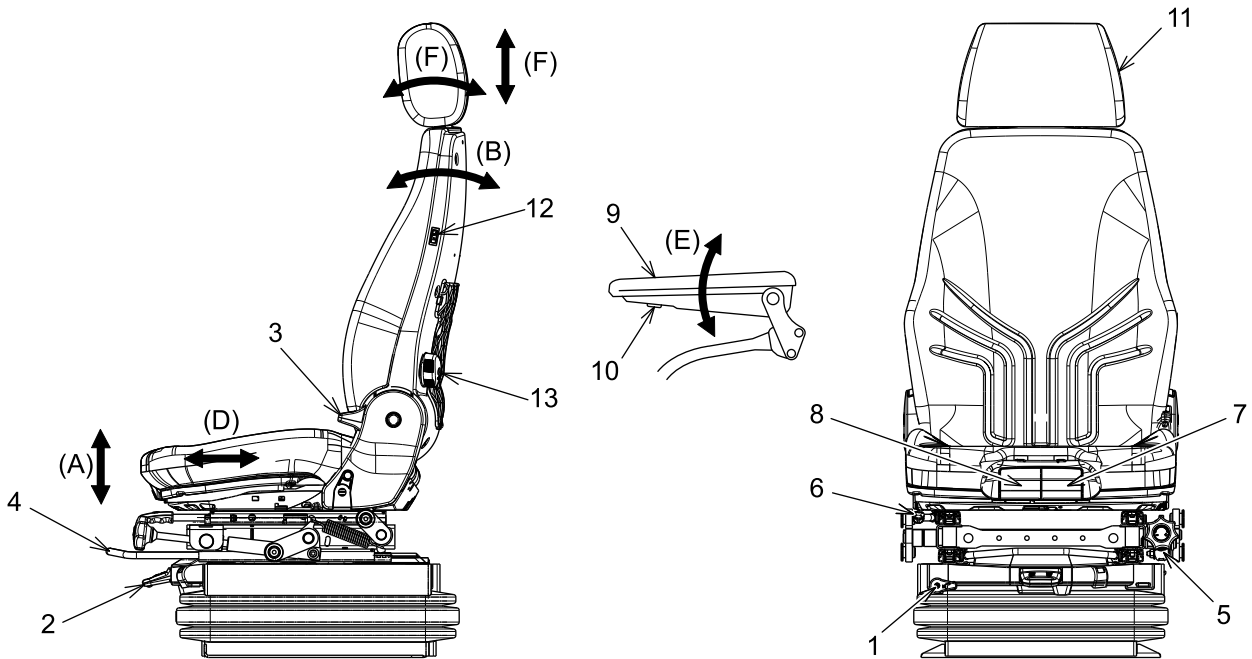
- Press the red button (3) of the buckle (2), and the belt (1) is unfastened.

## 2.12 HANDLING OF OPERATOR'S SEAT (AIR SUSPENSION SEAT)

Adjust the operator's seat to the position at which you can operate the control levers and pedals easily.

### **CAUTION**

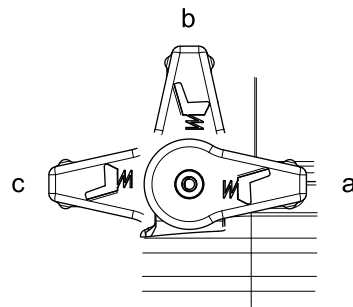
When adjusting the operator's seat, pay attention to hands in order not to be caught between the handle and seat stand.



### 2.12.1 DAMPER ADJUSTMENT

The damper can be adjusted.

- Move handle (1) to a desired position. (3 steps)
  - a. Soft
  - b. Middle
  - c. Hard



## 2.12.2 WEIGHT ADJUSTMENT

(A) The height of the operator's seat can be adjusted according to the operator's weight.

1. Pull up lever (2) shortly and then the seat height is automatically adjusted according to the operator's weight.
2. Release the lever to fix the height of the seat.

### Notice

- Adjust the damper to the soft position before adjusting the seat.
- Turn the starter switch to the "ON" position before adjusting the seat.

## 2.12.3 HEIGHT ADJUSTMENT

(A) The height of the operator's seat can be adjusted.

1. Fully pull up lever (2).
2. Adjust the seat height to a desired height.
3. Release the lever to fix the height of the seat.

### Notice

- Adjust the damper to the soft position before adjusting the seat.
- Turn the starter switch to the "ON" position before adjusting the seat.

## 2.12.4 RECLINING ADJUSTMENT

(B) The reclining angle can be adjusted.

1. Pull up lever (3).
2. Tilt the seat backrest to a desired angle.
3. Release the lever to fix the angle of the seat.

## 2.12.5 FRONT/REAR ADJUSTMENT OF CONTROL STAND

(C) The position of the whole control stand and operator's seat can be adjusted back and forth.

1. Pull up lever (4).
2. Move the seat back and forth to adjust it to a desired position.
3. Release the lever to fix the position of the control stand.

## 2.12.6 TILT ADJUSTMENT OF CONTROL BOX

The angle of the control box can be adjusted.

- Turn handle (5) to tilt the front side of the control box up or down.

### 2.12.7 FRONT/REAR ADJUSTMENT OF SEAT

(D) The position of the operator's seat can be adjusted back and forth.

1. Pull up handle (6).
2. Move the seat back and forth to adjust it to a desired position.
3. Release the handle to fix the position of the seat.

### 2.12.8 TILT ADJUSTMENT OF SEAT SEATING SURFACE

(A) The angle of the seating surface of the operator's seat can be adjusted.

1. Pull up handle (7).
2. Tilt the seat seating surface to a desired angle to adjust it.
3. Release the handle to fix the position of the seat seating surface.

### 2.12.9 FRONT/REAR ADJUSTMENT OF SEAT SEATING SURFACE

(D) The position of the seating surface of the operator's seat can be adjusted back and forth.

1. Pull up handle (8).
2. Move the seat seating surface back and forth to adjust it to a desired position.
3. Release the handle to fix the position of the seat seating surface.

### 2.12.10 ARM REST ADJUSTMENT

(E) The arm rest can be lifted up, and its angle can be adjusted.

- Arm rest (9) can be lifted up backward.
- Turn control dial (10) at the bottom of arm rest (9) by hand to adjust the angle of the arm rest in the regular position.

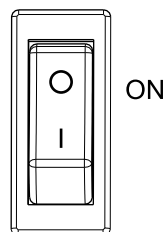
### 2.12.11 HEAD REST ADJUSTMENT

(F) The head rest can be adjusted by moving it up, down, back, or forth.

- To adjust head rest (11) up or down, hold it with both hands, and move it up or down slightly.
- To adjust head rest (11) back and forth, hold it with both hands, and move it back and forth to a desired position.

### 2.12.12 SEAT HEATER

Turn seat heater switch (12) "ON" to warm the seat.



---

**Notice**

This function can be used with the starter switch "ON".

---

### 2.12.13 LUMBAR SUPPORT

Adjust the lumbar supporting level of the backrest by using adjusting dial (13) of the lumbar support.

## 2.13 HANDLING PARTS INSIDE CAB



### LEAVING OPERATOR'S SEAT

Do not leave the cab with the engine running.

When necessary to leave the operator's seat, be sure to lock the control lock lever and then stop the engine.

If the control lever is unexpectedly touched without the control lock lever locked, it may cause severe accident resulting in severe injury.

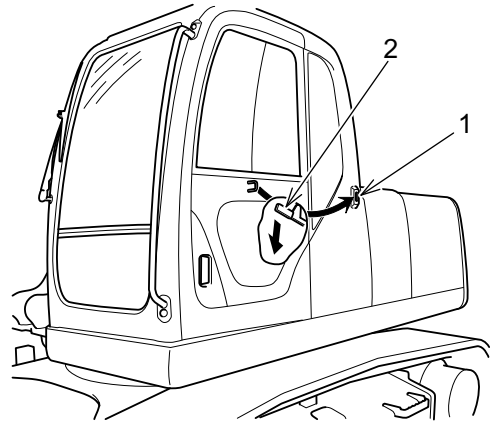
### 2.13.1 CAB DOOR LOCK



In operation, lock the door securely either open or close. If not locked, the door may open or close unexpectedly and this may cause danger and failure of the machine.

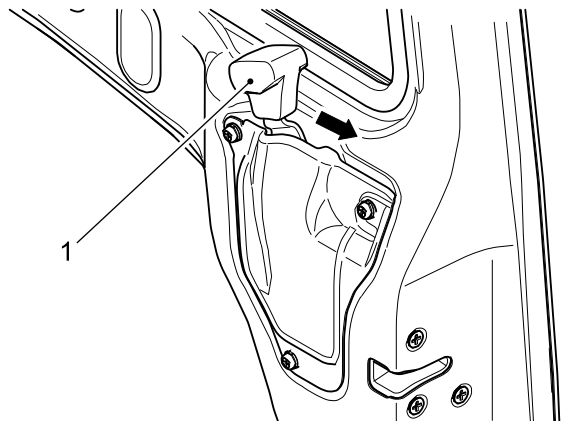
This procedure is used to securely lock the door in open position.

- Push the door against catch (1) and check that it is locked securely.
- To close the door, move lever (2) on the left side of the operator's seat to the direction of the arrow and then the catch is released.



### 2.13.2 OPENING DOOR FROM INSIDE OF CAB

- To open the door from the inside of the cab, move lever (1) to the direction of the arrow.



### 2.13.3 OPENING/CLOSING FRONT WINDOW (UPPER)



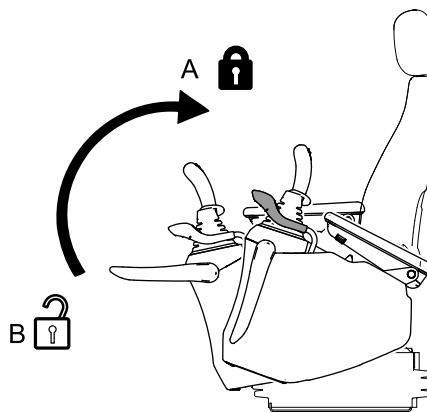
#### OPENING/CLOSING FRONT WINDOW (UPPER)

- Opening/closing the front window with the machine in a level position and lock the front window securely. If the lock is released in the forward tilting position of machine there is a possibility of falling of the front window.
- When closing the front window, the closing speed increases due to the weight of front window. Hold and close it by both hands securely.
- When opening/closing the front window in, pull up the control lock lever to the "LOCKED" position and stop the engine.

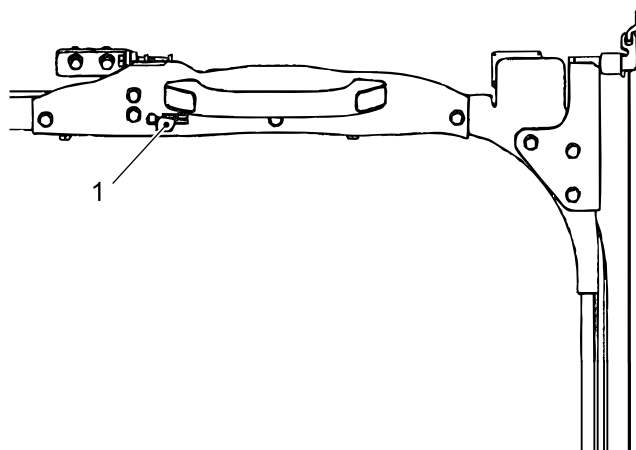


To prevent your hand from being caught between the windows, open and close the front window slowly. It is dangerous to work with the front window not or incompletely locked. Confirm that the front window is surely locked.

1. Move the machine to a level and firm place.
2. Put the bucket on the ground.
3. Stop the engine and move the control lock lever to the "LOCKED" position.



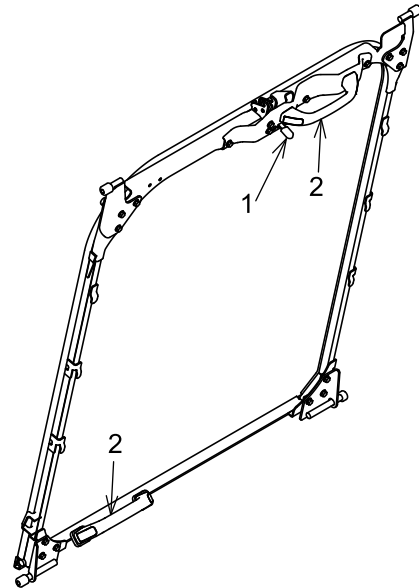
4. Push lock lever (1) on the center of the front window (upper) right to release the lock.



5. Hold and lift up the handles(2) on the upper and lower part of the front window (upper), and move the front window (upper) fully toward the back of the ceiling to automatically set it to the locked condition; however, check it is locked securely.

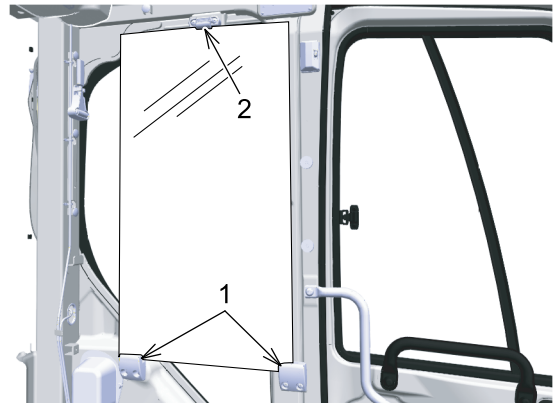
**When closing front window**

1. Hold handles (2) at the upper and lower parts of the front window (upper) and push lock lever (1) right to release the lock.
2. When the front window (upper) is returned to the original position, it is locked automatically. However, check that the window is securely locked.



### 2.13.4 REMOVING FRONT WINDOW (LOWER)

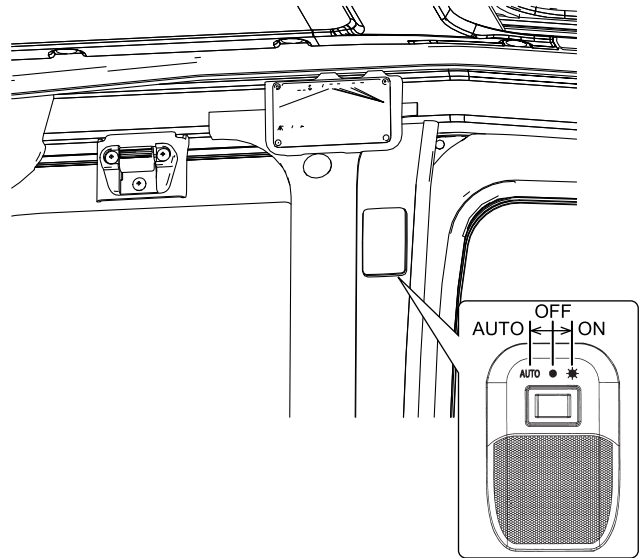
1. After open the front window (upper) in the ceiling, hold the front window (lower) by hands and remove it from the window frame. The removed front window (lower) should be stored in holder (1) on the left back side of the cab for secure storage.
2. Insert the glass into right and left holders (1), and fix the glass with lock (2) on the upper window frame.



## [2. MACHINE FAMILIARIZATION]

### 2.13.5 ROOM LAMP

Operate switch (1) in accordance with the purpose.



Switch	Contents
AUTO	The room lamp turns on for 25 seconds after the door is opened. For 25 seconds after the door is opened, the room lamp keeps turning on even if the door is closed.
OFF	The room lamp does not turn on.
ON	The room lamp turns on.



## 2.14 EMERGENCY ESCAPE FROM OPERATOR'S STATION

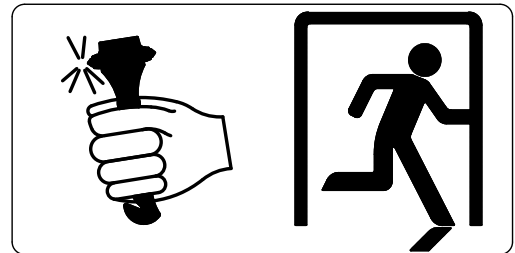
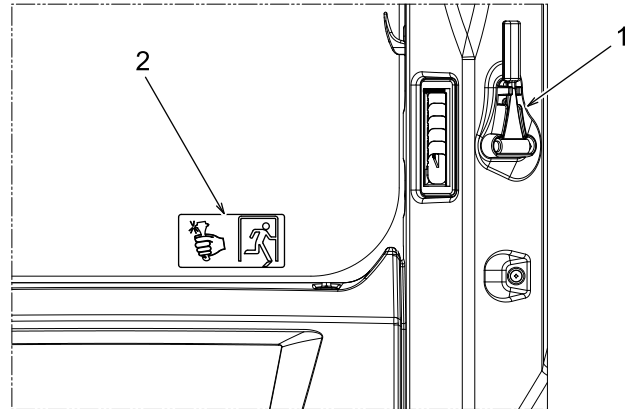
If it is impossible to open the cab door in an emergency, escape from the cab by the following way.

1. Open the front window and escape through the front window.

### Notice

For how to open the front window, see "OPENING/CLOSING FRONT WINDOW" in Chapter 2.

2. If the front window cannot be opened, break the front or rear window glass by using hammer for emergency exit (1) placed on the right rear of the cab.



### CAUTION

Pay attention to the broken pieces so as not to be injured when breaking the window glass.

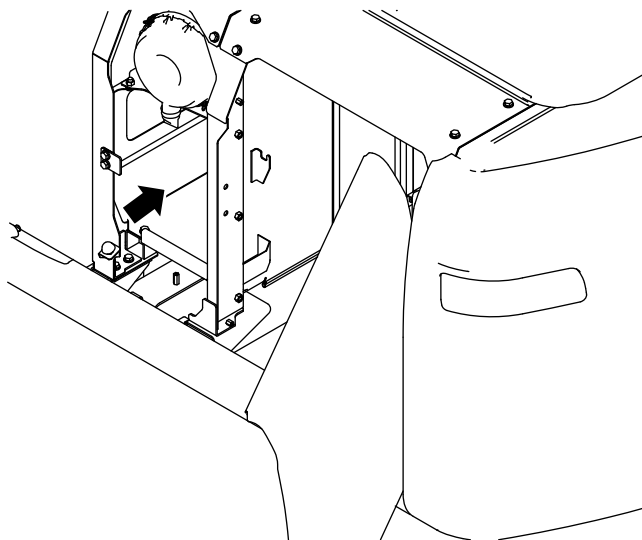
### Notice

Label (2) indicating the emergency exit are affixed on the rear window.

## 2.15 OTHER ACCESSORIES

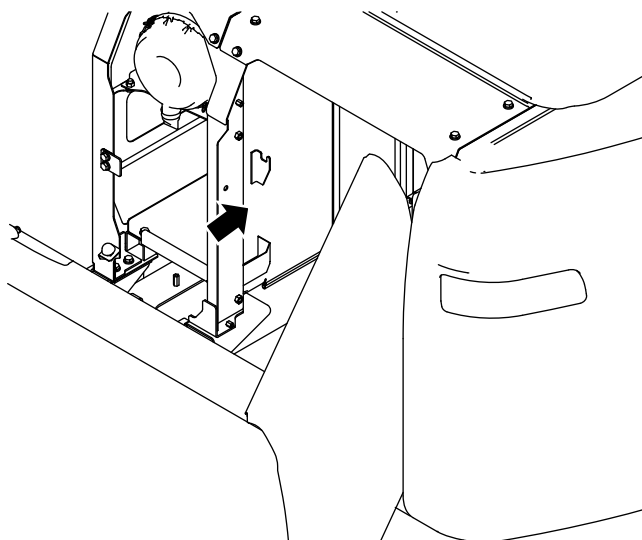
### 2.15.1 TOOL BOX

Use the tool box for storing tools and fixtures. The storage place is on the left side of the machine. Use the starter key to unlock and open the door. After using tools, close the door, and lock it with the starter key.



### 2.15.2 GREASE GUN HOLDER

This is on the left side of the machine. When the gun is not used, put it on this holder.



### 2.15.3 GUARD/SIDE DOOR (WITH LOCK)



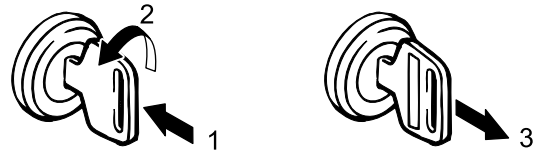
Be sure to stop the engine before opening the engine hood, battery cover, and side cover, etc.

---

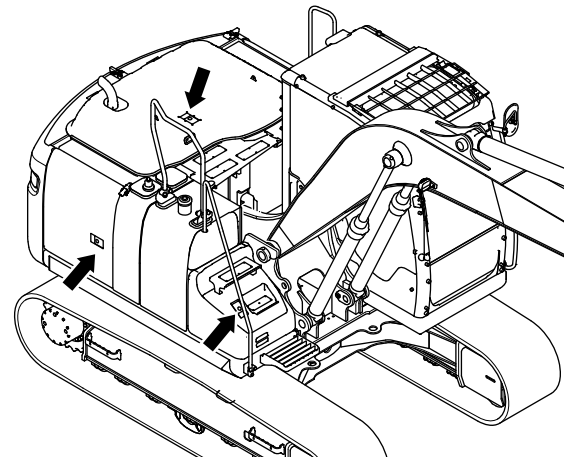
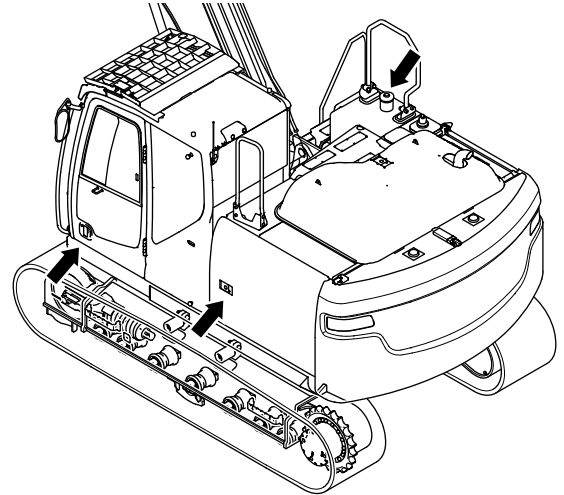
The engine hood, fuel inlet, right and left side doors, and cab door covers are provided with the lock mechanism. To open/close them, use the starter key. When using the starter key, fully insert it and then turn it. If it is not fully inserted, it may be broken.

HOW TO UNLOCK AND OPEN GUARD AND SIDE DOOR

1. Insert the starter key into the keyway.



2. Turn the starter key counterclockwise and pull the door handle to open the door.
3. If the door is provided with a stay, support the door securely using the stay.



2

HOW TO LOCK GUARD AND SIDE DOOR

1. If a stay is provided, return the stay to the original position.
2. Close the door.
3. Turn the starter key clockwise and remove it.

## 2.16 BATTERY POWER-OFF SWITCH

### **CAUTION**

When turning the battery power-off switch to the "O (OFF)" position, turn the starter switch to the OFF position and wait 5 minute or more. And then operate the battery power-off switch.

If the cover of the battery power-off switch is opened within five minutes after the starter switch is turned OFF, the buzzer starts sounding.

If the battery power is turned off immediately after the engine is stopped, it may cause damage to the electric devices.

### **Notice**

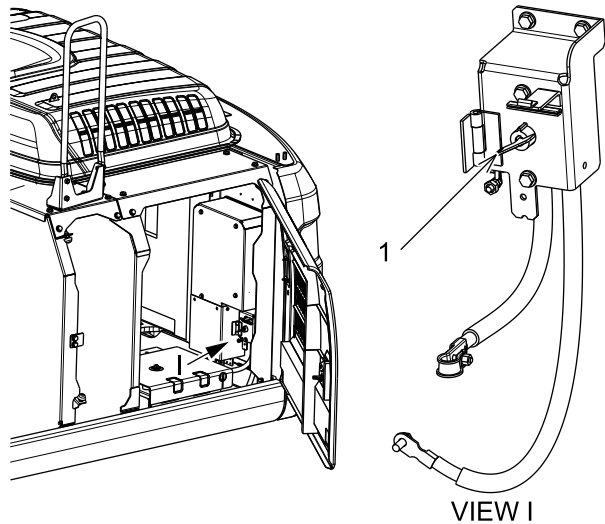
When setting the switch to the OFF position, all electrical circuits are shut down, and the preset memory and clock memory of the radio are cleared.

The battery power-off switch shuts down the battery circuit.

The switch is located on the right of the opened left side door. It is usually set to the "I (ON)" position.

ON(I): Turn key (1) right to connect the electrical circuit.

OFF(O): Turn key (1) left to shut down the electrical circuit.



### **Notice**

Set the battery power-off switch to "OFF" for the following purposes:

#### **To stop operation of the machine for a long period (one month or longer)**

Shut down the power circuit to prevent battery discharge, short circuit, or electric leakage.

#### **To perform maintenance of the electrical system or electric welding**

Shut down the power circuit to prevent damage of electrical components, fire and so on.

## 2.17 FUEL SUPPLY PUMP



### HANDLING OF FUEL SUPPLY PUMP

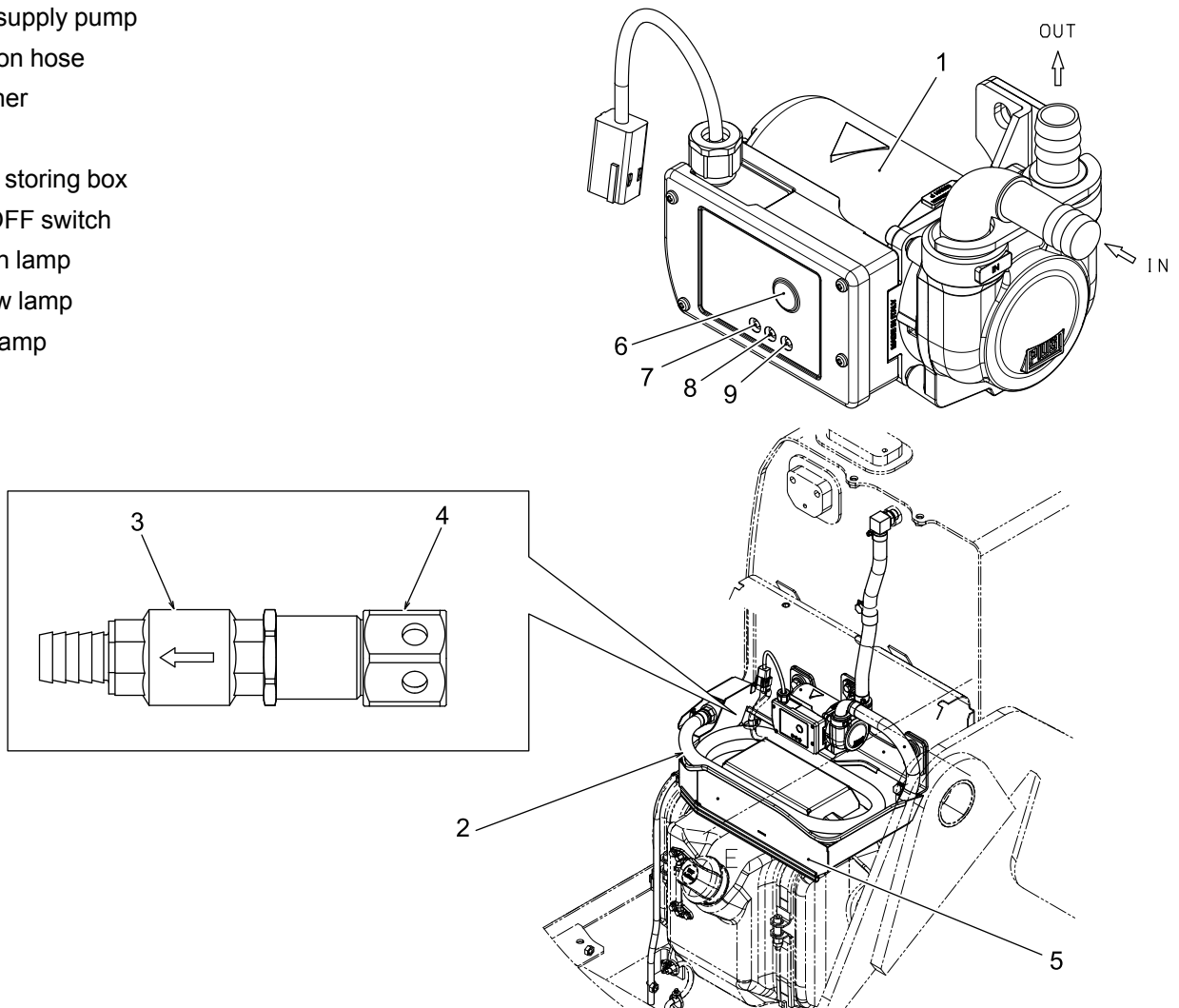
- Wipe off spilled fuel to prevent a fire.
- After the work, check that fuel does not leak.

Fuel can be supplied by using the fuel supply pump according to the following procedures.  
Supply light oil as fuel.

#### Notice

- Before starting fuel supply, check the hoses, the supply pump, and the harnesses for damage and each connecting part for looseness.
- If strainer (3) is dirty, clean it with light oil.
- Do not leave the machine during fuel supply.
- When the pump runs at idle and automatically stops, yellow lamp (8) blinks. In case of supplying fuel consecutively, put the hose into the tank again, and then press ON/OFF switch (6) again.
- Green lamp (7) will turn off if the machine is not operated for a certain period of time.
- Put cover (10) on the hose after putting the hose back to the storing box to prevent dust from the air cleaner entering into the storing box.

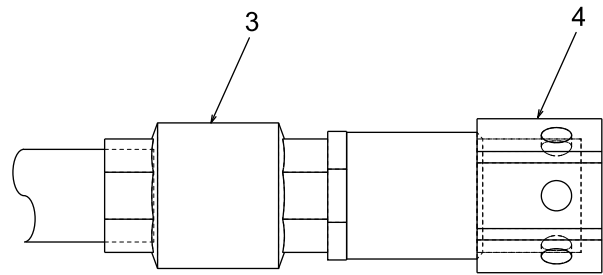
- (1) Fuel supply pump
- (2) Suction hose
- (3) Strainer
- (4) Nut
- (5) Hose storing box
- (6) ON/OFF switch
- (7) Green lamp
- (8) Yellow lamp
- (9) Red lamp



## [2. MACHINE FAMILIARIZATION]

---

1. When perform fuel supply, stop the engine.
2. Open the side door at the left side of the machine with the starter key and hold the door with the stay.
3. Take out suction hose (2) from hose storing box (5).
4. Loosen nut (4) of strainer (3) at the end of the suction hose to the position where the turn stops.
5. Put the suction hose into the fuel tank (fuel supply side).
6. Press ON/OFF switch (6) of the fuel supply pump to start fuel supply. During fuel supply, red lamp (9) turns on.
7. When the fuel tank becomes close to full, the fuel supply stops automatically.  
When you need to stop the fuel supply, press ON/OFF switch (6).
8. After finishing the fuel supply, take out suction hose (2) from the tank, tighten nut (4) of strainer (3) to the position where the turn stops, and then put the hose back into the storing box.
9. Close the side door and lock it with the starter key.



# 3. MACHINE OPERATION





## 3.1 DAILY MAINTENANCE CHECKS

Before starting the engine, walk around the machine to check for any loose nuts and bolts, any oil, fuel or coolant leakage, and the condition of the attachment/equipment, body structure, and hydraulic system.

Check for any looseness in the electrical wiring and for any accumulated material (leaves, dirt, etc.).



### WARNING MACHINE FIRE PREVENTION

The deposit of flammable, fuel leakage and oil leakage in heated area around the engine, muffler and battery may cause fire of machine. Check the area sufficiently, and if the abnormality is found, repair it or contact your KOBELCO authorized dealer.

- Clean all slippery substances such as grease, oil, hydraulic oil, mud, ice, and others attached to the steps, handrails, crawlers, ladders, and platforms.
- Check the engine for any oil, fuel or coolant leakage. Repair as required.
- Check the area around the engine and radiator for any accumulated material and remove as required.
- Check the hydraulic devices, hydraulic oil tank, hoses and joints for oil leakage, and repair as required.
- Check the travel system, such as the crawler, front idlers and sprockets, for any damage or wear, and the bolts for looseness, and the rollers for oil leakage, and repair as required.
- Check the attachment/equipment, body structure, and cylinders for any cracking, damage or looseness, and repair as required.
- Check the doors, covers, steps and handrails for damage, and the bolts for looseness. Repair any damages and tighten loose bolts.
- Check the monitor for damage and replace it as required.
- Check the rearview mirrors for abnormality and replace it with a new one when it is broken. Clean the surface of the mirror and adjust the angle so that the operator can see the rear from the operator's seat.
- If the machine is equipped with the rearview camera and the side cameras, clean the lenses to display clear images from the rearview and side cameras to the monitor.
- Check the seat belts and the mounting hardware for the abnormality and if any damage is found, replace it with a new one.

### 3.1.1 SUPPORT STAY

The support stays are provided on the side doors and the engine hood.

When opening the side doors and the engine hood, be sure to fix them with the stays



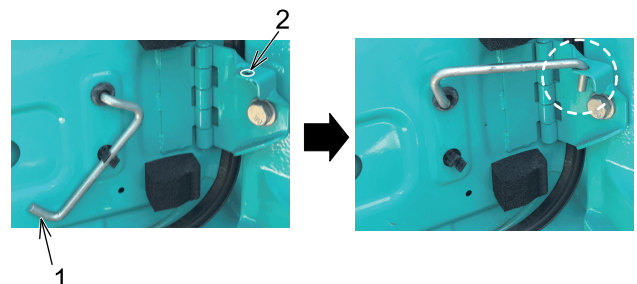
### CAUTION

Before performing inspection or maintenance, be sure to fix the opened side doors and the opened engine hood with the support stays to prevent them from moving, resulting in personal injury.

#### Stay fixed by hole

Open the door, and put stay (1) into fixing hole (2) to fix the stay.

Before closing the door, remove the stay from the fixing hole, return it to the original position, and then close the door.



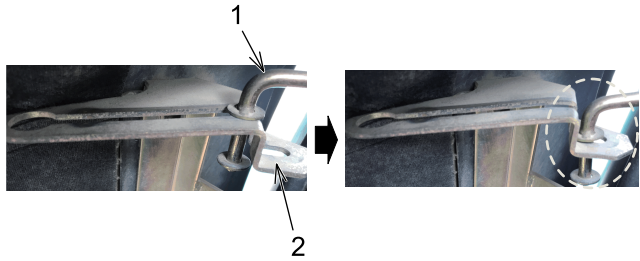
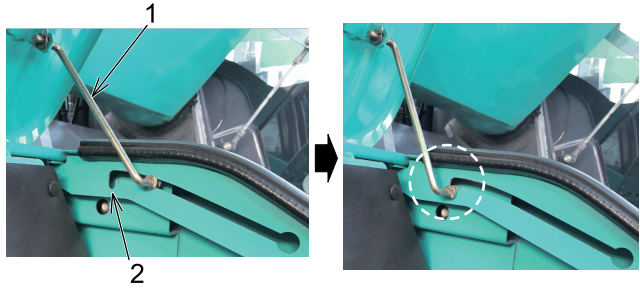
### [3. MACHINE OPERATION]

---

#### Slide type stay

Open the door, slide stay (1) to fixing part (2) of the guide to fix the stay.

Before closing the door, remove the stay from fixing part (2) and then close the door.



## 3.2 CHECK BEFORE STARTING ENGINE

The following checkup should be performed once before the first engine startup in a day.

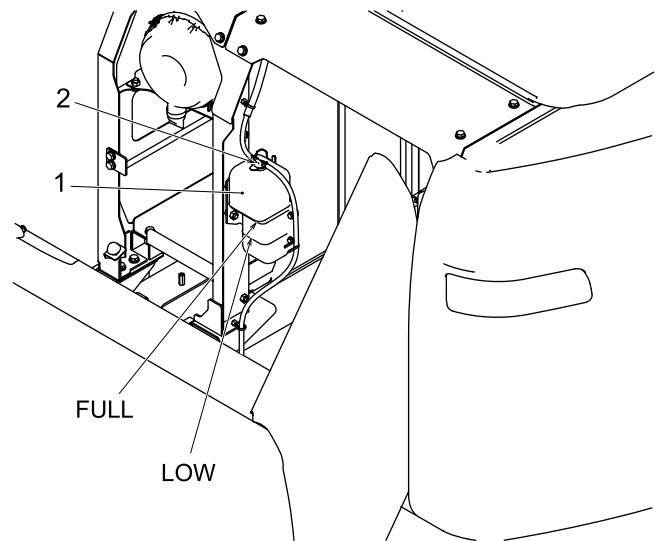
### 3.2.1 CHECKING COOLANT LEVEL AND REFILLING



#### HANDLING OF RADIATOR

- Do not open the radiator cap if not required. Check the coolant of reserve tank (1) when the engine is cooled down.
- After the engine stops, the coolant is hot and the high pressure is accumulated in the radiator. Removing the radiator cap under this condition may cause burns. After the coolant cools down, turn the cap slowly to release the pressure.
- If the water level in the reserve tank drops frequently, immediately contact your KOBELCO authorized dealer.

1. Use the starter key to open the side door on the left side of the machine and hold it with the stay.
2. Check that the coolant level falls within the range of FULL (upper limit)-LOW (lower limit) of reserve tank (1). If the water level is low, remove the cap of filler port (2) of the reserve tank and pour coolant water to the FULL level.  
If the reserve tank is empty, check it for water leaks and check the water level in the radiator. If the water level is low, fill the radiator with coolant and then fill the reserve tank with coolant. Then immediately contact your KOBELCO authorized dealer.
3. After supply, tighten the cap securely.
4. Release the support stay and close the side door.



### 3.2.2 CHECKING ENGINE OIL LEVEL OF ENGINE OIL PAN AND REFILLING



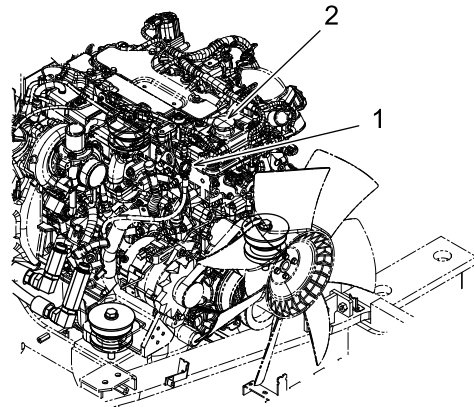
#### TEMPERATURE AFTER STOPPING ENGINE

Immediately after the engine is stopped, there is a possibility of getting burn with heated parts and oil. Start working after the temperature goes down.

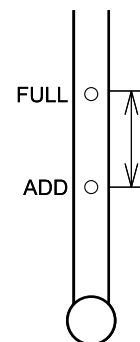
#### Notice

- Make sure the machine is in a level and firm condition when checking the engine oil level.
- Be sure to check the engine oil level before starting the engine.
- When checking the engine oil level after operation, wait approximately 30 minutes from engine stop before checking it.

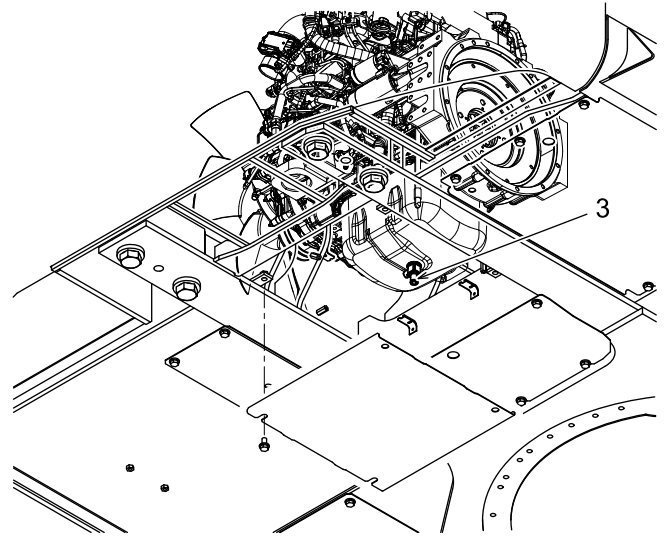
1. Open the engine hood with the starter key and hold it with the stay.
2. Pull out oil level gauge (1) and wipe off the oil with a waste cloth.
3. Insert oil level gauge (1) completely once again and pull it out.



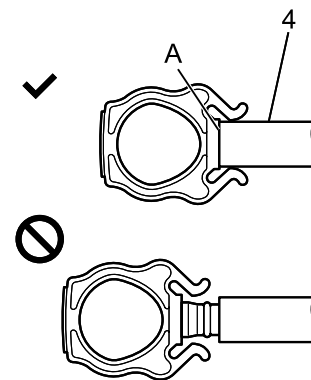
4. When oil level gauge (1) indicates the oil level between "FULL" (upper limit) and "ADD" (lower limit), it is proper. When the oil level does not reach "ADD" level, refill the engine oil from oil filler cap (2). If the oil is significantly contaminated or deteriorated, change it ahead of the periodic replacement interval. For engine oils to use, see "LUBRICANT, FUEL & COOLANT SPECIFICATIONS" in Chapter 4.



5. When the oil level is above the "FULL" level, loosen drain cock (3) to drain the excess engine oil and check the oil level once again.



6. Check that the oil level is proper and insert level gauge (1) securely.



#### Notice

- When inserting the oil level gauge (1), be careful not to bend it. Otherwise, the oil level gauge (1) may be deformed.
- Insert the oil level gauge (1) until the grip part (A) touches the guide tube (4). A gap between them may let water enter the engine causing a malfunction.

7. Remove the support stay and close the engine hood.

### 3.2.3 CHECKING FUEL LEVEL AND REFUELING



**WARNING**

REFUELING

- Never use the oil other than diesel fuel as fuel. Check the fuel type again before refueling.
- Be sure to stop the engine before refueling.
- Do not overflow fuel while refueling. Wipe off spilled fuel completely.



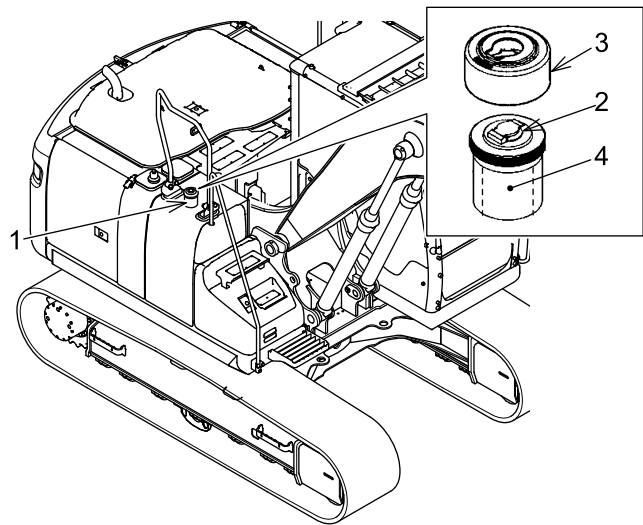
**CAUTION**

When getting on and off the machine, use the steps and handrails to prevent yourself from falling down or off from the machine.

**Notice**

- Be careful not to refuel the tank to a level more than necessary (to the top end of tank). There is a possibility of overflowing because the fuel expands as the outside air temperature rises.
- Be sure to use diesel fuel as fuel, which meets the standard of each country. To achieve a good fuel efficiency and exhaust gas property, the engine of this machine uses the electronically controlled fuel injector. Because this device requires high parts precision and high lubricating ability, when low viscosity fuel with low lubricating ability is used, the durability may decrease significantly.

1. Check the monitor for the fuel level.  
After turning the starter switch to "ON", the fuel level meter is displayed. When the fuel level is low, the pointer points E.
2. Refuel only after stopping the engine.
3. When refueling, climb up the machine from the right front side and then start refueling.
4. Remove rubber cover (3), if equipped, from the filler port (1) and turn filler cap (2) to open it.
5. Refuel the machine with strainer (4) attached to the filler port (1).  
When dirt is adhered on strainer (4), take out strainer (4), wash it with light oil or clean it by air blowing, and then attach it to the filler port again.  
Fuel tank capacity: 186L(49.1Gal)
6. After refueling, tighten filler cap (2) securely. Attach rubber cover (3) according to the orientation of the cap.



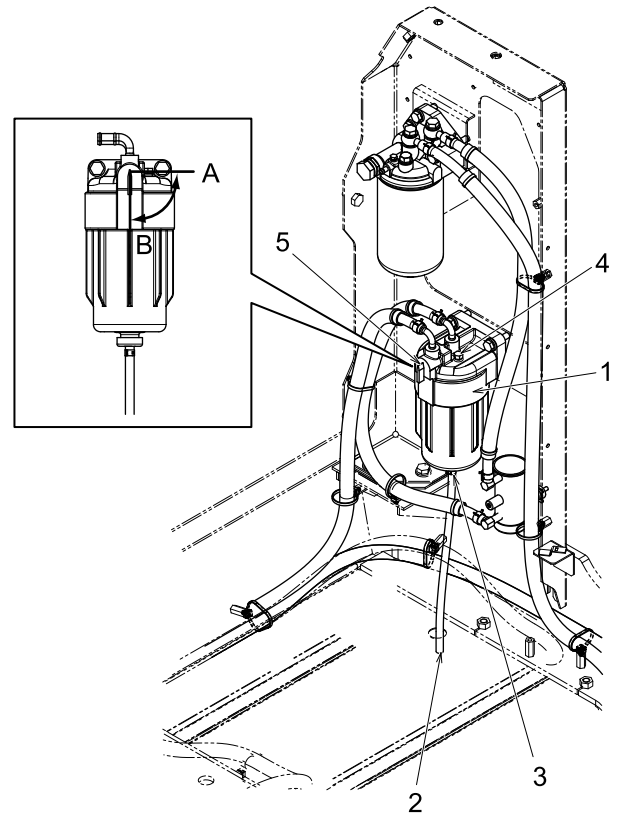
### 3.2.4 DRAINING FUEL PRE-FILTER

#### **WARNING**

To avoid the damage of O-ring, remove foreign matter around the mounting area of drain plug. Damage of O-ring causes leak of fuel, and it causes fire.

The fuel pre-filter is a device which separates water mixed in fuel. When water is accumulated in the fuel pre-filter, drain the water.

1. Use the starter key to open the side door on the right side of the machine and hold it with the stay.
2. Place a drain oil container under drain hose (2).
3. Raise fuel shut off valve (5) to "Close" position (A).
4. Loosen drain valve (3) and air bleeder plug (4) to drain water accumulated in fuel filter (1) into the container.
5. After draining the water, tighten drain valve (3) and air bleeder plug (4) securely. Check the water drained to the container. If that is contaminated significantly, clean the element and the inside of the case.
6. Lower fuel shut off valve (5) to "Open" position (B).
7. Remove the support stay and close the side door.



### 3.2.5 CHECKING OIL LEVEL OF HYDRAULIC OIL TANK



#### **WARNING** PRESSURE WITHIN HYDRAULIC OIL TANK

The inside of the hydraulic tank is dangerous because it is high temperature and pressurized.

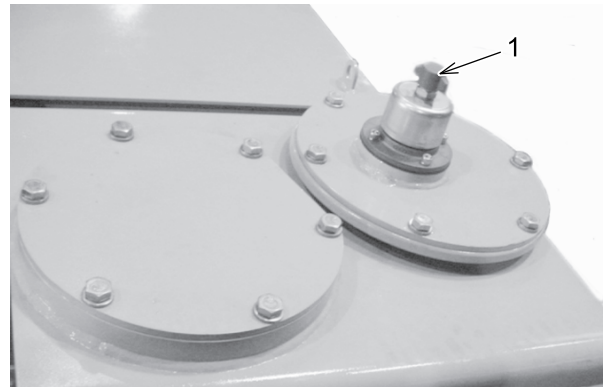
Before removing the filler port plug (2), stop the engine, remove breather head cap (1), and then press the valve to release the pressure in the hydraulic oil tank.

#### **Notice**

For refilling procedures of the hydraulic oil, see "5000 HOUR INSPECTION & MAINTENANCE PROCEDURES" in Chapter 4.

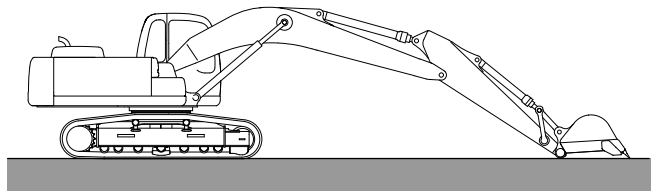
The hydraulic oil tank is on the right side.

1. Move the machine to a level and firm place.



2. Retract the arm cylinder and bucket cylinder, and place the bucket and dozer (when installed) on the ground.

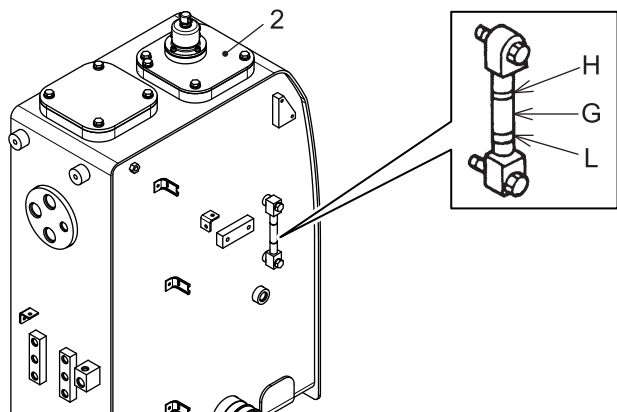
3. Stop the engine and move the pilot control shut-off lever to the "LOCKED" position.



4. Check the oil level through sight level gauge (G) provided on the side of the hydraulic oil tank. If the reading falls within the range of "H" to "L", the oil level is normal.

The oil level varies depending on the oil temperature. Use the following rough standard at inspection.

- Before operation: Near the "L" level (oil temp. 10 to 30 degrees C (50 to 86 degrees F))
- During normal operation: Near the "H" level (oil temp. 50 to 80 degrees C (122 to 176 degrees F))



#### **Notice**

Do not supply oil to the "H" level or more.

If the hydraulic oil tank becomes full, it can cause damages to the tank and the components and spray of the hydraulic oil.



### 3.2.6 CHECKING FAN BELT AND AIR CONDITIONING COMPRESSOR BELT



#### INSPECTING AND MAINTAINING THE BELT

Be sure to stop the engine before inspection and maintenance of the engine.

Inspecting and maintaining the running engine may cause severe injury by being caught in the rotating parts, such as the fan and the belt.



Replace the belt with a new one if cracking or breakage is found on the belt by the inspection, slip occurs excessively, or the belt cannot be adjusted to within the adjustment range. Keep the belt away from oils. The service life may be shortened if it slips by oil.

#### Notice

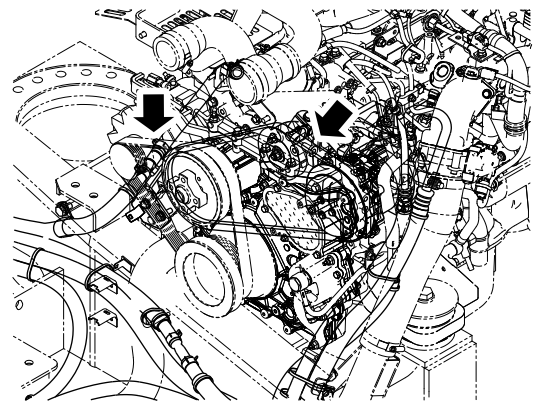
- When the belt is replaced by a new one, run engine at idle for 3 to 5 minutes and recheck and or adjust tension as necessary.
- After running the engine for about 2 hours, a new belt obtains a complete initial elongation.
- When replacing a set of two belts, be sure to replace both two with new ones.

The engine of this machine is equipped with the alternator, the fan, and air conditioning compressor belts. Check the belts for wear and damage, and also for tension, and adjust them properly in order to maintain the maximum engine performance and the service life.

#### Notice

For adjustment procedures for each belt, see "ADJUSTING FAN BELT AND AIR CONDITIONING COMPRESSOR BELT" in Chapter 4.

- To check the belt tension, press on the center of the belt with your thumb. If the deflection falls within the range shown in the following table, it is normal.



Belt	New Belt Tension mm (inch)	At Inspection mm (inch)	Pushing Force N (lbf)
Fan alternator	4.2 to 5 (0.17 to 0.20)	6.6 to 7.4 (0.26 to 0.29)	98 (22)
Air conditioning compressor belt	2 (0.08)	2 (0.08)	<ul style="list-style-type: none"> <li>• 38 to 41 (8.5 to 9.2) *New Belt Tension</li> <li>• 12 to 14 (2.7 to 3.1) *At Inspection</li> </ul>

### 3.2.7 CHECKING DEF/ADBLUE LEVEL AND REFILLING

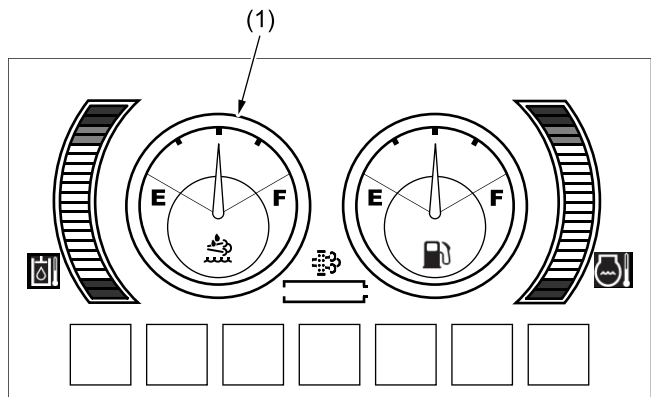
**CAUTION**

- Use DEF/AdBlue which meets ISO 22241-1 or JIS K2247-1.
- Do not fill the DEF/AdBlue tank with diesel fuel or water.
- Comply with the precautions specified by the manufacturer when handling DEF/AdBlue.

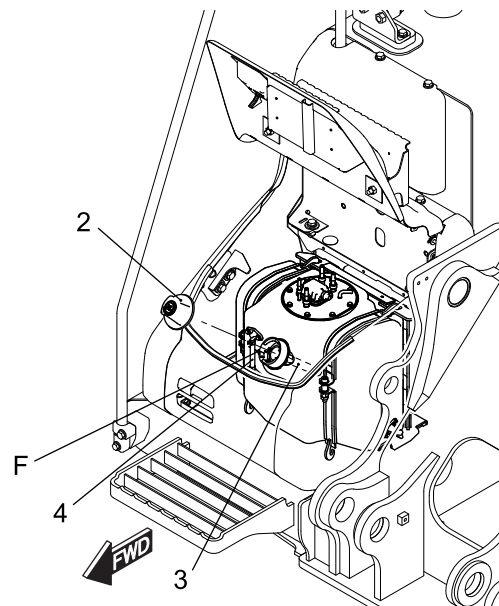
**Notice**

If the pointer of the level gauge on the monitor points the yellow or red range, immediately supply DEF/AdBlue until the pointer points the place higher than the yellow range. DEF/AdBlue shortage restricts the engine output.

1. Check the monitor for the level of DEF/AdBlue.  
After turning the starter switch ON, level gauge (1) is displayed on the meter.  
The amount of DEF/AdBlue is displayed with the pointer. When the DEF/AdBlue level becomes low, the pointer points the E point.



2. Set the machine to the parking position.
3. Stop the engine.
4. Open the cover at the right front side of the machine.
5. Turn inlet port cap (2) to open it.  
When dirt is adhered on strainer (3) of the inlet port take out strainer (3), wash it with water, dry it completely, and then attach it to the inlet port again.
6. Refill DEF/AdBlue from the inlet port. Refill it until the level reaches the line F, while checking level gauge (4) on the left side of the tank.  
Full capacity of tank:33.9L(8.96Gal)
7. After refilling DEF/AdBlue, tighten cap (2) securely.



### 3.2.8 ADJUSTMENT OF OPERATOR'S SEAT

**WARNING****ABOUT ADJUSTMENT OF OPERATOR'S SEAT**

- Adjust the operator's seat before the operation or when the operator changes.
- When adjusting the operator's seat, pay attention to hands in order not to be caught between the handle and the seat stand.

**Notice**

For adjusting procedures of operator's seat, see "HANDLING OF OPERATOR'S SEAT" in Chapter 2.

Adjust the operator's seat in a way so that the operator can operate the control levers, pedals and switches freely, with his/her back contacting with the backrest of the operator's seat.



### 3.2.9 ADJUSTMENT OF MIRRORS

---



#### **WARNING** ABOUT ADJUSTMENT OF MIRRORS

Be sure to adjust the mirrors before operation.

When the mirrors are poorly adjusted, visibility cannot be ensured and it could cause severe injury.

---



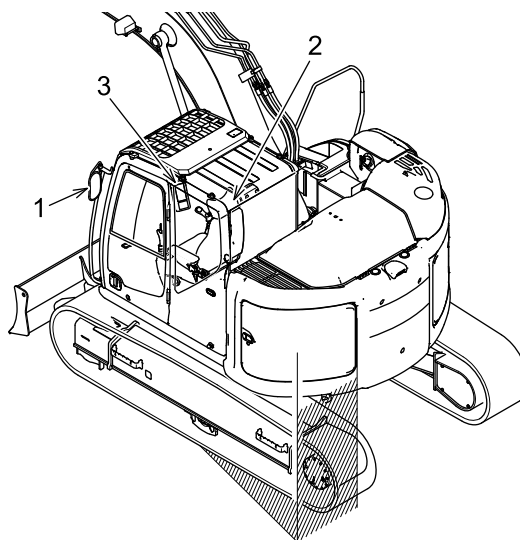
Use genuine mirrors only.

When the mirrors are attached to a non-specified place, such as the handrail of the cab entrance, the strength of handrail may be decreased and it may cause damage or falling off of the mirror.

---

Adjust cab left mirror in a way so that the blind spot can be minimized when seeing it from the operator's seat.

- (1) Mirror
- (2) Seat
- (3) Monitor



#### VISIBILITY MAP

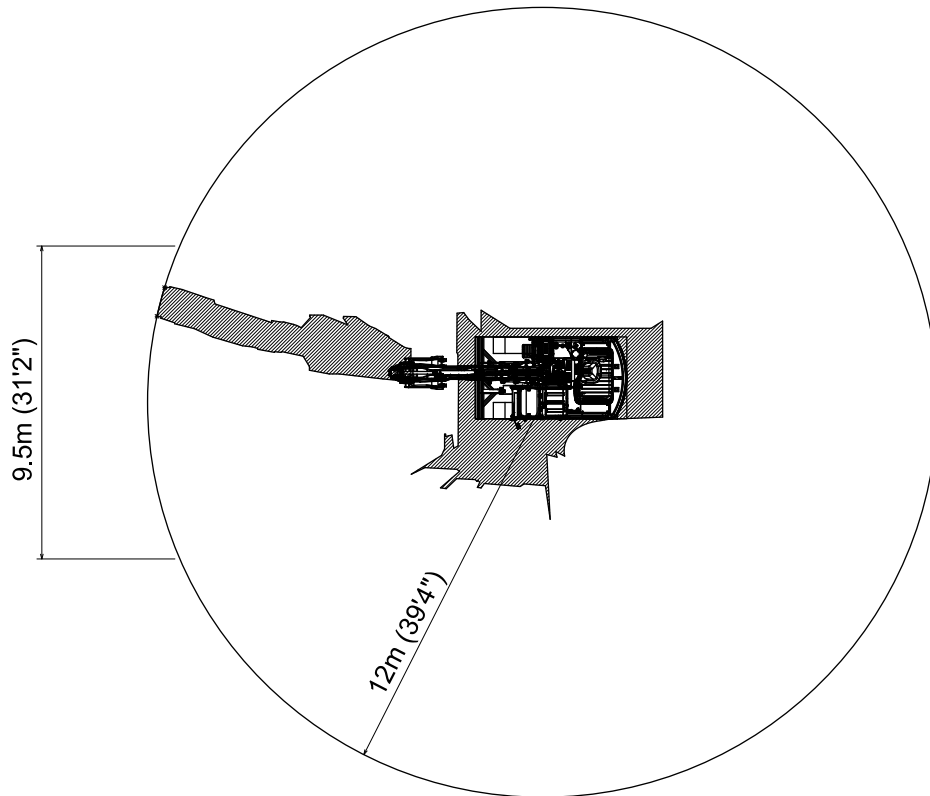
- The following visibility map is a rough standard of areas (hatched areas) where the operator cannot see both directly and indirectly (through the mirrors and the cameras). The operator can use this map as a reference to improve field rules or enhance visibility by adding an auxiliary device.
  - This machine complies with the visibility requirements stipulated in EN474-1.
  - This map is not the same as the visibility requirements stipulated in EN474-1.
  - This map was made according to the standard specification. Be cautious that the map may change according to the machine specification.
- 

**Note**

This map is a rough standard at the ground surface within the radius of 12 m, centering the operator reference point (680 mm above and 20 mm forward from Seat Index Point) from near areas of the machine.

---

## Direct and indirect visibilities (from mirrors and two cameras)

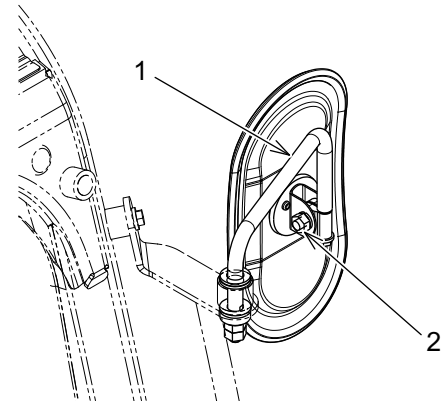


Hatched area: blind spot

## MIRROR A (CAB LEFT SIDE)

Adjust the mirror in the way that a person (or the object of 1.2 m (3'11") high and 30 cm (11.8") in diameter) who stands on the left rear end of the machine can be identified by the operator in the operator's seat.

- Install the mirror to the position shown in the figure.
- Install the mirror in the way that it does not come in contact with stay (1) of the mirror.
- If the movement of the mirror is not smooth, loosen nut (2) of the mirror to adjust it.  
Tightening torque of nut (2)  
M10: 18.6 to 25.5 N·m (13.7 to 18.8 lbf·ft)
- Adjust the mirror to reflect the machine side face.



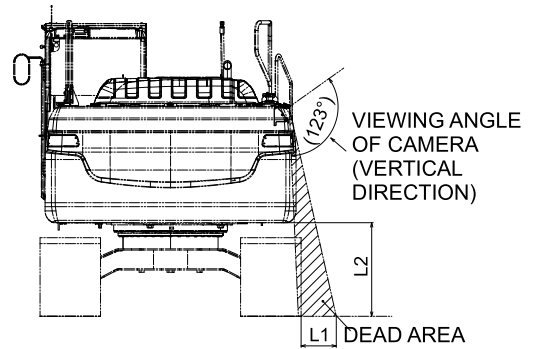
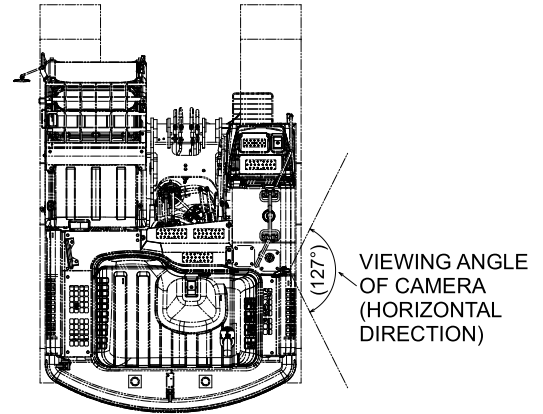
### [3. MACHINE OPERATION]

#### SIDE CAMERA (RIGHT SIDE)

Blind spot range

L1: 349mm(13.7")

L2: 928mm(36.5")

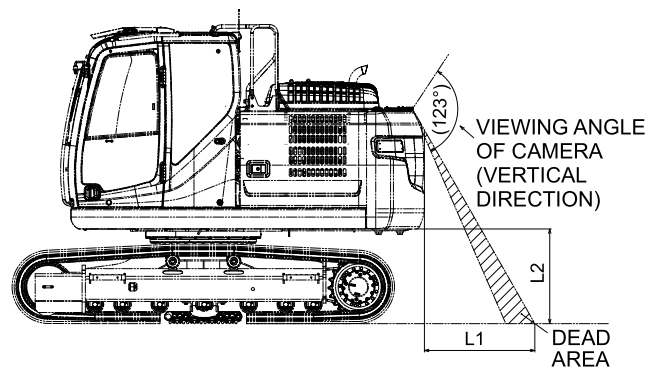
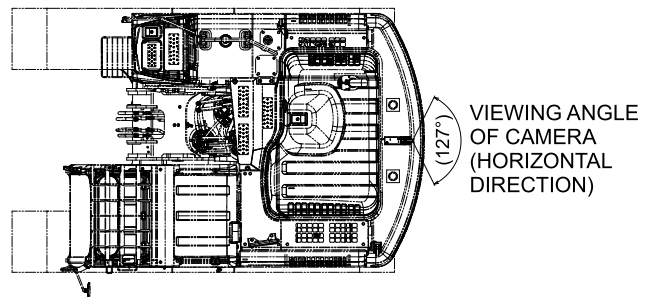


#### CAMERA (MACHINE REAR SIDE)

Blind spot range

L1: 1083mm(3'7")

L2: 929mm(36.6")



### 3.2.10 CHECKING DISPLAY OF MONITOR

Before starting the engine, check the display status of the monitor according to the following procedure.

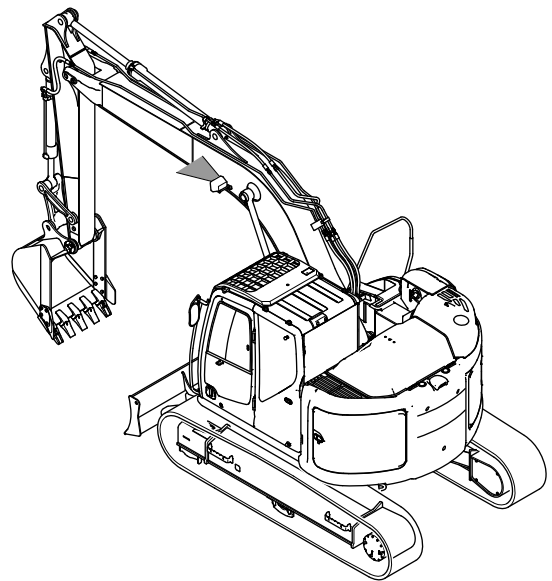
#### **CAUTION**

When the warning is displayed on the monitor, ask your KOBELCO authorized dealer for inspection.

1. Make sure the pilot control lock lever is in the "LOCKED" position.
2. Make sure all control levers are in the "NEUTRAL" position.
3. Turn the key of the starter switch to the "ON" position.
4. Check that no warning is displayed on the monitor.

### 3.2.11 CHECKING WORKING LIGHT

While the starter switch is in the "ON" position, press the working light switch to turn on the working lights on the boom and on the right side of the front. If they do not light, presumably light bulbs are burned out or the electrical wire is broken. Ask your KOBELCO authorized dealer for repair.



### 3.2.12 CHECKING OF AIR CLEANER INLET

- Check that no mud, leaves, and snow, etc. are accumulated around the air cleaner inlet.
- When it is covered with snow, remove it.
- When washing the machine with high-pressure water for cleaning, be careful not to let the water enter the air cleaner inlet.

## 3.3 STARTING ENGINE



### WHEN STARTING ENGINE

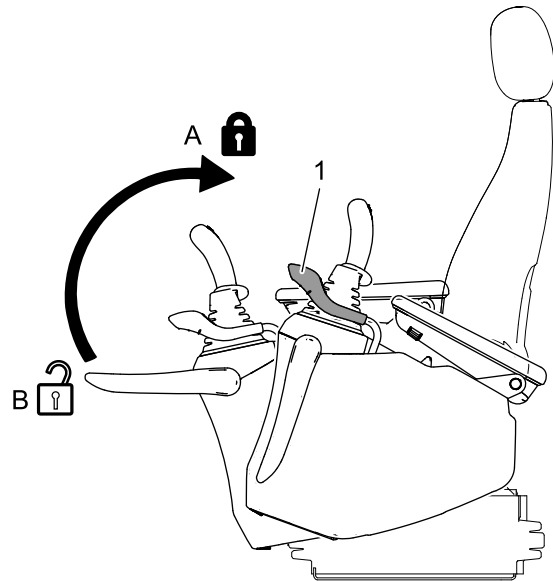
After making sure that no one is near the machine and no obstruction is left around the machine, sound horn and start the engine.

#### Notice

- Do not hold the starter key switch in the START position for more than 15 seconds. If the engine does not start, return the starter key switch to the OFF position, wait 30 seconds, and then try it again.
- When starting engine, if warning is displayed on the monitor, stop engine immediately and identify the cause, and then repair it if necessary.
- After the auto idling stops, when necessary to restart the engine, start the engine after returning the starter key switch to ACC or OFF once and the throttle potentiometer to the low idling position. But it is impossible to start the engine again until the buzzer stops sounding after the engine stops.

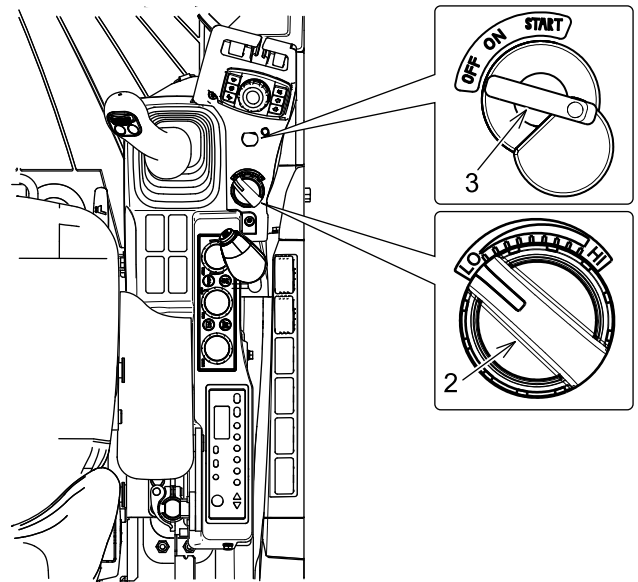
### 3.3.1 START-UP UNDER NORMAL TEMPERATURE CONDITIONS

1. Make sure control lock lever (1) is in the "LOCKED" position.  
A: "LOCKED" position  
B: "UNLOCKED" position
2. Make sure all control levers are set to the "NEUTRAL" positions.





3. Turn engine throttle (2) to the low idle position.
4. Turn the key of starter switch (3) to the "ON" position and check the operation status of the monitor.
5. Turn the key of starter switch (3) to the "START" position to start the engine.
6. Release key (3) immediately after the engine starts. The starter key will return to the "ON" position by itself.



### 3.3.2 START UP IN COLD CONDITIONS

In cold weather, due to increase in oil viscosity and decrease in battery performance, starting the engine may be difficult.

**Notice**

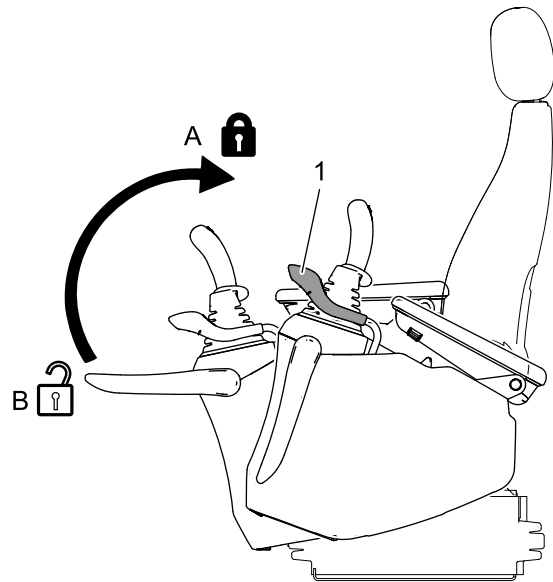
For the engine start up procedures with the automatic warming-up system, see "USER MENU SETTING" in Chapter 2.

1. Make sure the control lock lever (1) is in the "LOCKED" position.

A: "LOCKED" position

B: "UNLOCKED" position

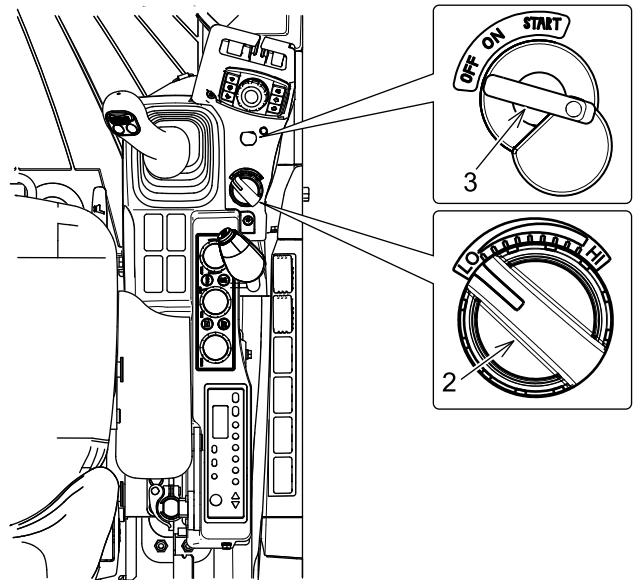
2. Make sure all control levers are set to the "NEUTRAL" positions.



3. Turn engine throttle (2) to the low idle position.

4. Turn the key of starter switch (3) to the "ON" position and hold the position.

When the coolant temperature decreases below 10 degrees C (50 degrees F), the glow plug is preheated automatically by the engine coolant temperature sensing.



5. Also check the operation of the monitor.

6. After having completed the preheating (within five seconds), turn the key of starter switch (3) to the "START" position to start the engine.

7. Release key (3) immediately after the engine starts. The starter key will return to the "ON" position by itself.



### 3.3.3 USING JUMPER CABLES



#### STARTING ENGINE BY JUMPER CABLES

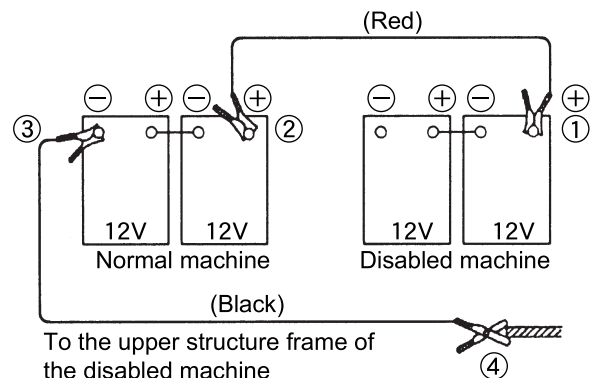
- Combustible gas (hydrogen gas) is generated in the battery. Do not allow sparks or flames to come in contact with the battery to avoid catching a fire and triggering an explosion.
- Do not allow the normal machine to come in contact with the disabled one.
- Wear protective glasses and rubber gloves when using jumper cables to start the engine.
- Never allow the positive and negative side clips of the jumper cables to come in contact with each other when connecting the jumper cables.
- Do not mistake positive (+) for negative (-) or vice versa in the jumper cable connection. When the negative jumper cable is finally connected to the upper structure of the disabled machine, it may generate sparks. Connect the jumper cable to a ground surface as far as possible from the battery.
- If the battery electrolyte is frozen, do not attempt to start the engine with another power supply.
- Wrong connection of the jumper cables may cause explosion of the battery.
- The starting system of this machine is 24 volts. Therefore the boost battery voltage in use should be 24 volts. The application of high voltage employed for a welding machine, etc. in engine start may cause damage to the electrical system.



- Use the battery of which the capacity is equivalent to that of the disabled machine for the normal machine.
- Select the jumper cables and clips with a proper size for the battery.
- Check the jumper cables and clips for damage and corrosion.
- Connect the clip securely.
- Check that the control lock lever is in the "LOCKED" position.
- Check that each control lever is returned to the neutral position.
- The starter switches on both the normal and disabled machines must be held in the "OFF" position. Because when the power is connected, it may cause unexpected move of the machines and it is dangerous.

1. For the normal machine, put the attachment on the ground, return all control levers to the neutral position and then set the control lock lever to the "LOCKED" position.
2. Set the starter switch to the "OFF" position for both the normal machine and the disabled machine.
3. Remove the terminal cover of the battery, and connect the jumper cable (red) clip to the positive (+) terminal on the battery of the disabled machine.
4. Connect the jumper cable (red) clip to the positive (+) terminal on the battery of the normal machine.
5. Connect the jumper cable (black) clip to the negative (-) terminal on the battery of the normal machine.
6. Finally, connect the clip of the other end of the negative (-) jumper cable (black) to the upper structure frame of the disabled machine.
7. Start the engine of the normal machine, and run it for about 10 minutes at high idle. The battery of the disabled machine is partially charged.

Order of connecting the cable ① → ② → ③ → ④  
 Order of removing the cable ④ → ③ → ② → ①



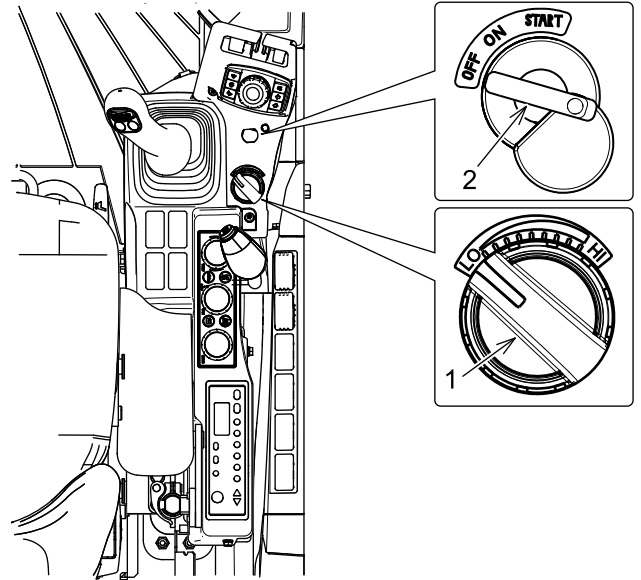
### [3. MACHINE OPERATION]

---

8. Start the engine of the disabled machine.
9. Soon after the starting of the engine of the disabled machine, immediately remove the jumper cables in the reverse order of the connection.
10. Finally, check and repair the cause of the problem of the start/charging system on the disabled machine.

## 3.4 STOPPING MACHINE ENGINE

1. Place the attachment on the ground before stopping the engine.
2. Pull up the pilot control lock lever to the "LOCKED" position.
3. Turn engine throttle (1) to the low idle position.
4. Turn starter key (2) to the "OFF" position to stop the engine.
5. Remove starter key (2) and store it.



## 3.5 CHECK AFTER STARTING ENGINE

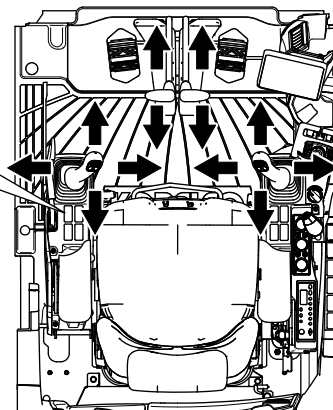
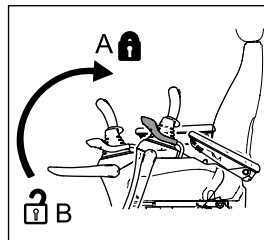
Before operation, be sure to inspect and check the machine after starting the engine. If any failures are found, contact your KOBELCO authorized dealer.

### 3.5.1 CHECK OF PILOT CONTROL LOCK LEVER

Check that the locking function of the pilot control lock lever is proper.

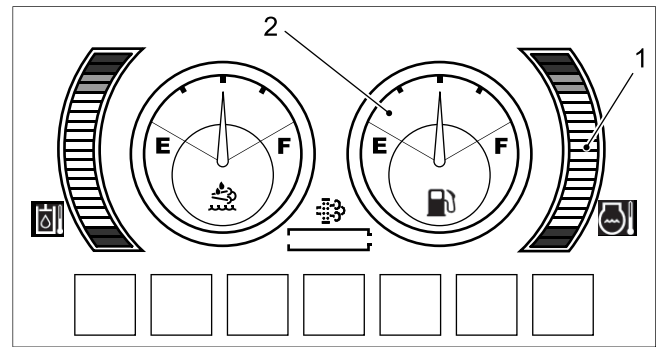
See "PILOT CONTROL LOCK LEVER" in Chapter 2.

1. Move the pilot control lock lever to the "LOCKED" position.
2. Make sure that movement of the attachment, swing and travel, are disabled when the pilot control lock lever is in the "LOCKED" position.



### 3.5.2 CHECK OF ENGINE AND MONITOR

1. Check the engine for oil or water leakage the engine and the area around the engine.
2. Check that no warning is displayed on the monitor and the pointer is at a proper position on engine coolant temperature meter (1) and fuel level meter (2).



#### **CAUTION**

When the warning is displayed on the monitor, ask your KOBELCO authorized dealer for inspection.

3. Check that the exhaust sound, the color of exhaust gas and vibrations of the engine are normal.

#### **CAUTION**

Inspection with the engine running shall be done by a person other than the operator and the operator shall stay seated during inspection.

#### **Notice**

Color classification for identifying the exhaust gas state (After warming-up at no load)

Colorless or light blue: Normal (Perfect combustion)

Black: Abnormal (failure of exhaust gas cleaning device)

White: Abnormal (failure of exhaust gas cleaning device)

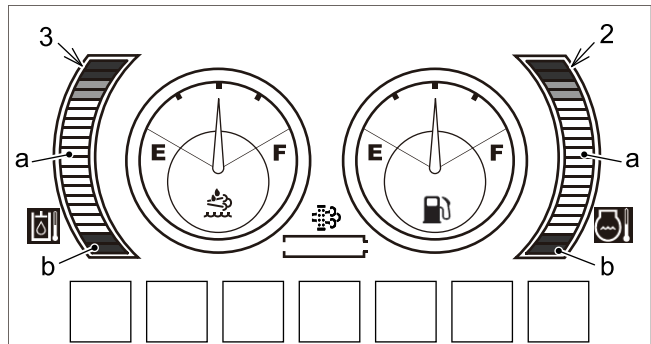
The smoke may look white in winter due to cold weather.

## 3.6 WARMING-UP



### ABOUT WARMING-UP

- When the reading of hydraulic oil temperature meter (3) is in low temperature range (b), rapid operations may cause severe damages to the hydraulic components. Before starting operations, warm-up the hydraulic oil until the reading of hydraulic oil temperature meter (3) rises to normal range (a).
- If the attachment/equipment is operated without enough warming-up operation, the response of the attachment to the control lever is delayed and sometimes it moves in an unexpected manner for the operator. Therefore, be sure to perform the warm-up operation. Especially in cold weather, a sufficient warming-up operation is necessary.



#### Notice

In warming-up the engine, turn auto idling stop function switch OFF.

#### Notice

For the engine start up procedures with the automatic warming-up system, see "USER MENU SETTING" in Chapter 2.

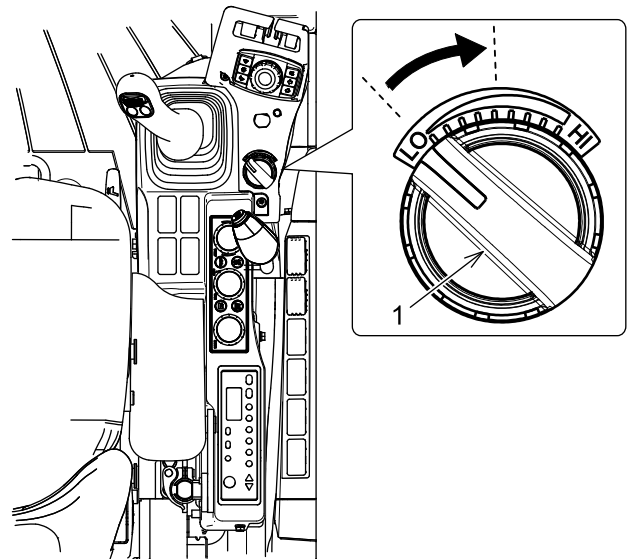
### 3.6.1 ENGINE WARMING-UP

#### Notice

Avoid idling because it may cause poor engine performance and trouble.



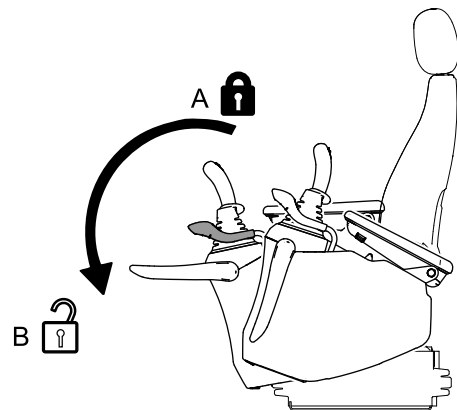
1. Run the engine for about 5 minutes with no load at middle speed by setting engine throttle (1) to the middle between the low idle and the full speed positions.
2. When the reading of engine coolant temperature meter (2) rises to normal range (C), engine warming-up is completed.



### 3.6.2 WARMING-UP HYDRAULIC OIL

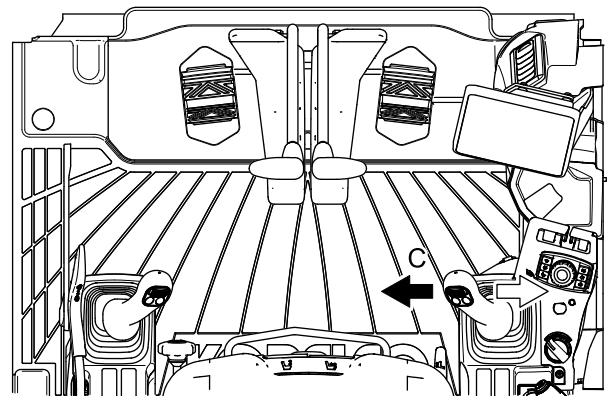
Perform warming-up of the hydraulic oil after engine warming-up is completed.

1. Push pilot control lock lever (1) down and forward and set it at the "UNLOCKED" position.
2. Raise the boom to the height where the bucket can be operated.



3. Move the right control lever slowly toward bucket digging side (C) to the stroke end position and perform relief operation until the reading of hydraulic oil temperature meter (3) rises to normal range (a).
4. After that, slowly extend and retract each cylinder several times.
5. Also perform swing and travel operations slowly to circulate the warm hydraulic oil in all operation circuits.

When the reading of hydraulic oil temperature meter (3) is in low temperature range (b), repeat the above-mentioned procedure until it rises to normal range (a).



## 3.7 AUTO IDLING STOP FUNCTION

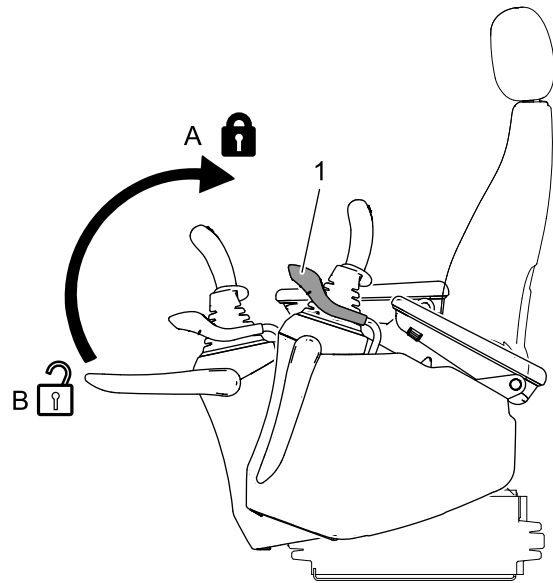
### **CAUTION**

This machine is equipped with auto idling stop function to reduce the fuel consumption and exhaust gas, due to unnecessary engine idle time.

- When auto idling switch is on, if the engine is running the engine stops after an elapse of the specified time from when the safety lock lever is pulled up.
- After the auto idling stops, when necessary to restart the engine, start the engine after returning the starter key switch to ACC or OFF once and the throttle potentiometer to the low idling position. But it is impossible to start the engine again until the buzzer stops sounding after the engine stops.
- If you would like to perform warming-up of the engine, operate the air conditioner, or use the working light continuously with the pilot control lock lever in the "LOCKED" position, turn the auto idle stop function "OFF". With the auto idle stop function turned "ON", the engine stops, so that the function stops.
- When necessary to leave the operator seat, always turn the starter switch off.
- When the failure warning of "engine coolant temperature" or "coolant level" appears, or auto warming-up is working, the auto idle stop function does not work regardless whether the auto idle stop function turns "ON" or "OFF".
- Do not use auto idling stop mode when lifting.

This switch is usually set to "OFF". When the auto idling stop function is selected, the engine stops automatically after an elapse of the specified time with the control lock lever (1) set to "LOCKED" position (A) during engine operation. This function is effective in saving of fuel and in restraint of exhaust gas by setting auto idling stop function.

- As for the setting of the auto idle stop function, see "Setting of auto idle stop" in Chapter 2.
- The default setting of the interval until engine stop is 60 seconds.  
To change the set interval, contact your KOBELCO authorized dealer.



### **Notice**

- After setting control lock lever to "LOCKED" position (A), the engine changes to "DECCEL" speed about 4 seconds later.
- Buzzer sounds for 5 seconds before engine stops.

### 3.7.1 RESTART AFTER AUTO IDLE STOP

### **CAUTION**

When leaving the operator's seat for a long time, be sure to set the starter switch to the "OFF" position.

1. Check that the buzzer stops.
2. Turn the engine throttle to the low idle position.
3. Return the key of the starter switch to "ACC" or "OFF" once and then restart the machine.

## 3.8 WORK MODE SELECTION

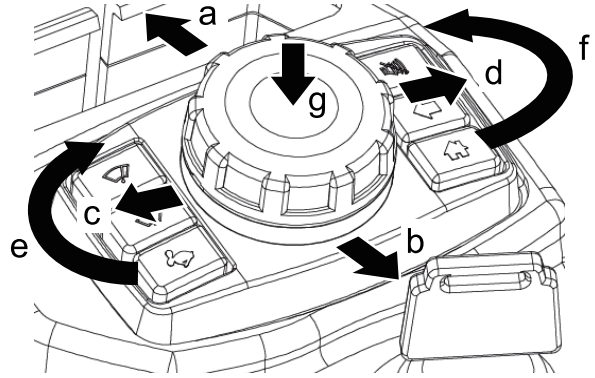
### Jog dial operation

#### Tilting (a,b,c,d) and rotating (e,f) the jog dial

To move the cursor on the monitor and adjust the values and others.

#### Pushing down (g) the jog dial

- To switch the screen to the selected setting screen.
- To determine the adjusted value and others.



Select a proper work mode from three modes shown below according to the work condition and purpose. Move the cursor to [work mode selection] (8) and push down (g) the jog dial to switch the mode.

#### S mode:

"S mode" is suitable for a standard digging work and loading operations. It provides good fuel consumption and is well-balanced with a workload.

#### ECO mode:

"ECO mode" focuses on reduced fuel consumption operation.

#### H mode:









"H mode" is suitable for a heavy digging work, which provides high speed and gives priority to a workload.



Before beginning the work, make sure the selected work mode is correct.

## 3.9 SWITCHING ATTACHMENT MODE

Select an appropriate mode to use according to the attachment installed.

Display	Attachment mode	Summary
	Bucket	This mode needs to be selected for digging work.
	Breaker	This mode needs to be selected when an attachment using a single flow circuit such as a breaker is installed.
	Nibbler (crusher)	This mode needs to be selected when a hydraulic crusher such as a nibbler is installed.
	Rotary grapple	This mode is designed considering the operation such as a grapple.
	Processor	This mode is designed considering the operation such as a processor.
	Thumb bucket	This mode is designed considering the operation such as a thumb bucket.
	Rotary tilt	This mode is designed considering the operation such as a rotary tilt.
	Individual setting	This mode can be customized for an attachment other than those mentioned above.

### CAUTION

- When the attachment mode is inappropriate, select a proper attachment mode.
- Always select the breaker mode when operating a breaker. Working in a mode other than the breaker mode causes damages to the hydraulic components and/or the breaker.
- Be sure to lower the attachment to the ground and ensure safety before switching the attachment mode.

### Notice

- If tuning of operability is needed, contact your KOBELCO authorized dealer.
- When the control lock lever is raised upward to the "LOCKED" position, setting for changing the screen becomes possible.

## 3.10 MACHINE OPERATION

The machine operation procedures described below provide operators with basics which should be learned and understood, thoroughly. You can further improve your operational skill by thoroughly learning the performance and structure of this machine.

### 3.10.1 PRECAUTIONS OF MACHINE OPERATION

---



#### WHEN OPERATING MACHINE

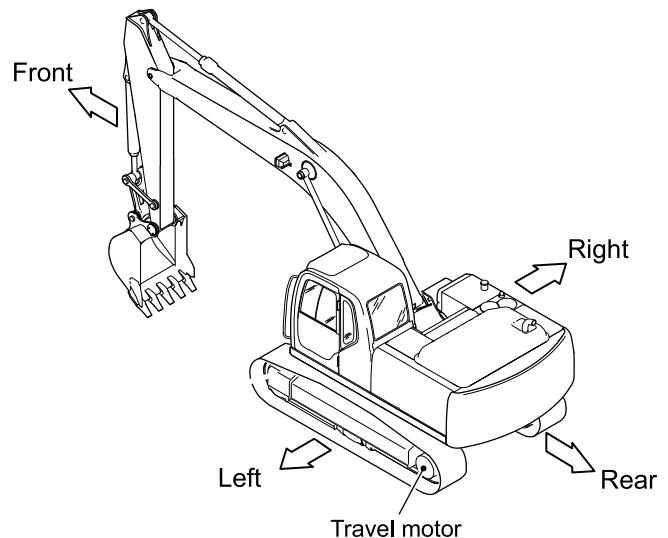
- When starting the machine, check the safety around the machine and sound the horn before starting the machine.
  - Keep the area around the machine clear of people.
  - When the control lever is operated during the auto acceleration operation, the engine speed increases abruptly. Operate the control lever carefully.
- 



- The indications on the monitor do not assure the condition of the devices. Daily maintenance should be performed not only by seeing the monitor but also by following the procedures described in this manual.
  - When abnormality was detected during operation, stop the machine immediately and take proper measures.
  - The machine should not be operated until the failure is repaired. Operating the machine with the failure that has not been repaired may result in a serious accidents.
- 

#### FRONT/REAR AND LEFT/RIGHT OF MACHINE

In this manual, front/rear and left/right are determined by looking the forward direction from the operator's seat with the travel motors at the rear side.



### 3.10.2 TRAVEL PROCEDURES



#### ABOUT TRAVELING

- Confirm the travel motor position before traveling. When the travel motor is positioned at the front side, the machine moves reversely to travel lever operations.  
The normal travel control can be performed when the travel motor is at the rear side of the machine and the front idler is at the front side of the machine.
- Sound the horn to warn the workers in the working site.



#### ABOUT TRAVEL SPEED

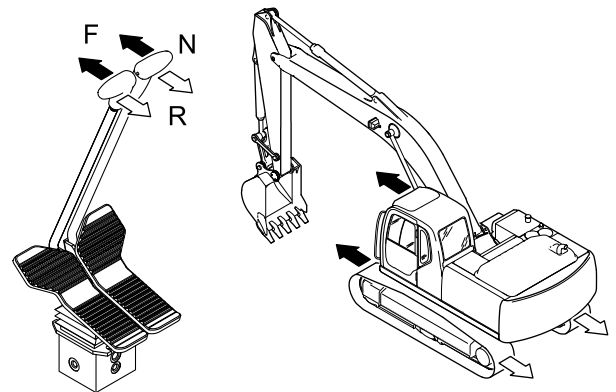
During traveling, do not change the travel speed. Also, the travel speed should be set to the LOW (1st) speed when the machine is traveling on a downhill, or being loaded to/unloaded from a trailer. A sudden change of the machine stability could cause personal injury.

Before starting traveling operation move the control lock lever to "UNLOCKED position" and set the bucket at the height of 30 to 40 cm (12 to 16 inch) above the ground.

F: Forward traveling

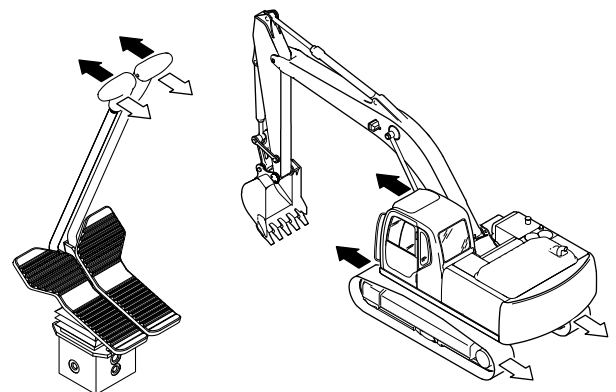
N: Neutral (Stop)

R: Backward traveling



#### Forward/Reverse traveling

- Push (forward) or pull (backward) both the left and right travel levers simultaneously.  
Both the forward and reverse travel speed can be changed by lever displacement.



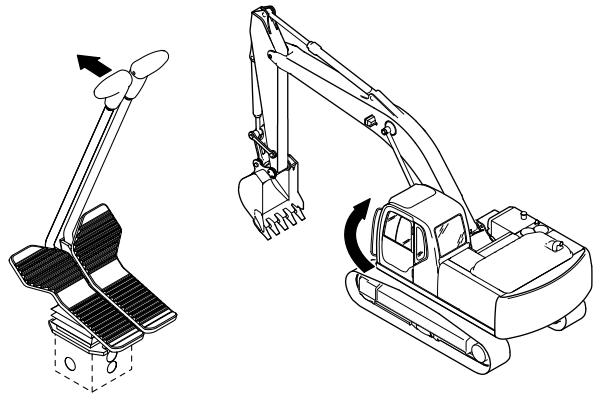
### [3. MACHINE OPERATION]

---

#### Pivot turn

This operation drives only one crawler to turn the machine.

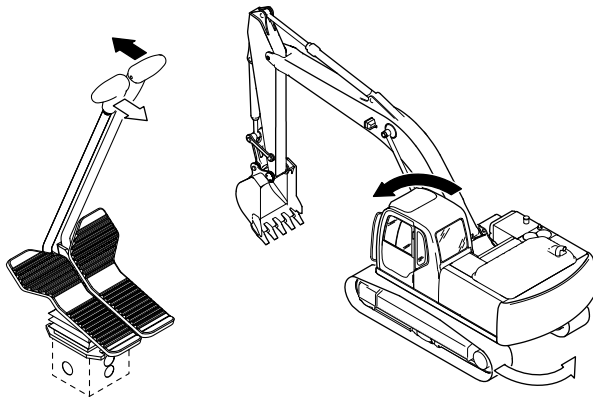
- Operate one of the two travel levers to make a pivot turn.



#### Spin turn

This drives the right and left crawlers in opposite direction each other to turn the machine on the spot.

- Push one of the two travel levers forward and pull the other lever backward simultaneously.



#### STOP TRAVELING

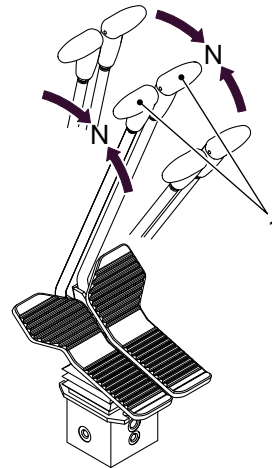


#### WARNING ABOUT STOP TRAVELING

Do not stop the machine suddenly, but stop it after slow down the speed as much as possible.

---

- Put both travel levers (1) in the "NEUTRAL (N)" position.  
The machine stops traveling.



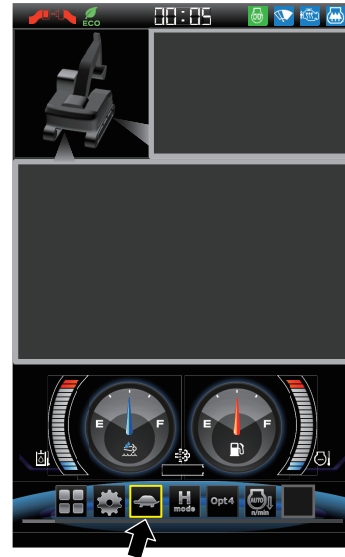
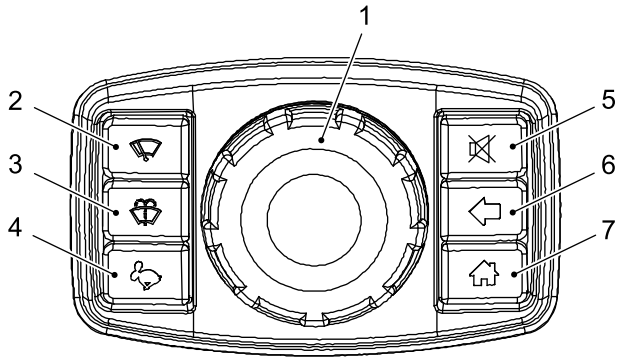


### 3.10.3 TRAVEL SPEED SELECTION



#### ABOUT TRAVEL SPEED

The travel speed should be set to the LOW (1st) speed when the machine is traveling on a downhill, or being loaded to/unloaded from a trailer. A sudden change of the machine stability could cause personal injury.



Each time the engine is started, the travel speed is automatically set to the LOW 1st (turtle) speed. Press switch (4) on the control panel and then the travel speed changes to the HIGH (2nd) speed and the icon displayed on the monitor changes to the HIGH (2nd) speed (rabbit).

LOW 1st speed: turtle



Set to LOW 1st speed when moving the machine on the rough or soft ground, slope, or in the narrow place, or when powerful tractive force is required.

HIGH 2nd speed: rabbit



Set to HIGH 2nd speed when moving the machine on a level and firm ground.

#### Notice

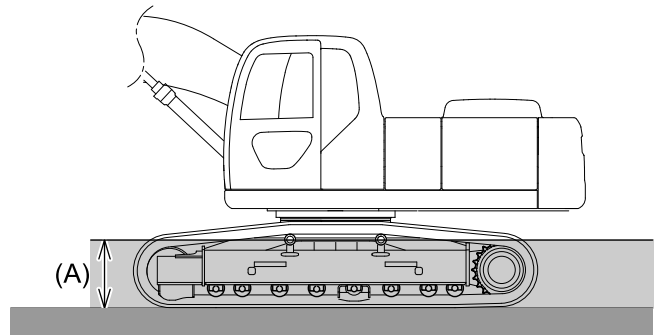
The HIGH (2nd) speed is automatically switched to the LOW (1st) speed when the load of traveling becomes high and automatically returned to the HIGH (2nd) speed when the load is lowered.

### 3.10.4 MACHINE OPERATION IN WATER OR ON SOFT GROUND

**IMPORTANT**

Take enough care not to immerse the swing bearing, swing pinion and swivel joint into water or soil. When the machine is sunk to the level of or above the swing bearing in the water or soil, the swing bearing and others may be worn abnormally if it is used without any treatment. Apply grease to the greasing points.

- If the bottom of a river is flat and it flows slowly, the machine can travel in the water up to the depth of the center of upper roller (A).
- When crossing a river, carefully cross the river while checking the condition of the river bottom by the bucket, etc. Never enter the water over the depth of (A).
- On a soft ground, the machine may sink gradually. Pay attention to the travel system and the water depth all the time.
- After traveling in seawater, wash the machine carefully to remove salt.
- On parts soaked in the water for a long time, use a grease gun to apply grease securely, until the old grease comes out from the inside.



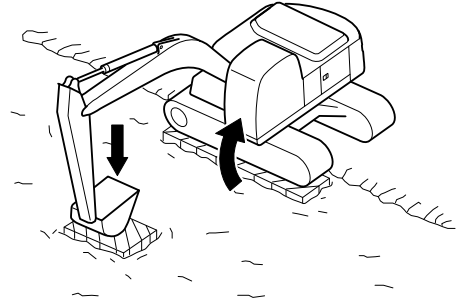
### 3.10.5 GETTING OUT OF SOFT GROUND

Avoid traveling on a soft ground if possible.

Be careful not to get stuck in mud. In case of being stuck in the mud, get out of it using the procedure below.

#### WHEN ONE SIDE OF MACHINE GETS STUCK IN SOFT GROUND

- When one side of the machine gets stuck in the soft ground, push the bottom of the bucket against a plank or others laid on the ground to lift up the stuck shoe, and put logs or lumbers beneath the crawler belt to escape from the soft ground.



#### Notice

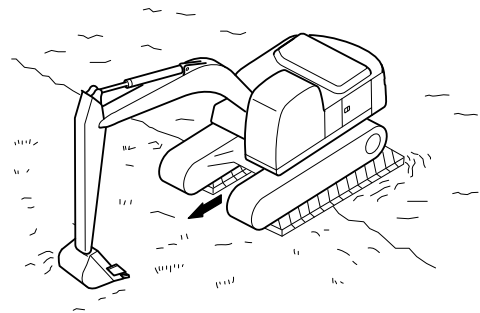
When using the boom and arm to lift up the machine, push the bottom of the bucket, not the teeth, against the ground.

#### WHEN BOTH SIDES OF MACHINE GET STUCK IN SOFT GROUND

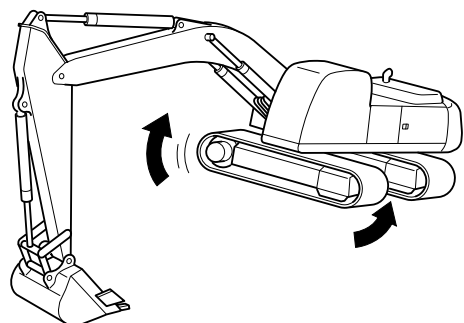
#### CAUTION

Operate the machine at the operator's seat. Keep the area around the machine clear of people.

- When both sides of the crawlers get stuck in the mud and the machine does not move due to slip, put logs or lumber as described above, lower the attachment to the front ground, pull the arm just like digging, push the travel levers forward, and pull out the machine.



- If the machine cannot travel due to highly tensed crawlers caused by clogged mud and gravel in the crawlers after traveling on the soft ground, lift each crawler off the ground by pushing the boom and arm against the ground and shake the mud or gravel off the crawler, and then get out of the soft ground. Gravel, or mud clogged in the crawler can be shaken off by lifting the crawler up and moving it forward and backward.



### 3.10.6 SWING AND ATTACHMENT/EQUIPMENT OPERATIONS

The following is the explanation of operation of the standard attachment/equipment. As to the machine equipped with a special attachment, read the operation manual of the special attachment, too.

The operation is explained according to the ISO pattern. As for the other operation patterns, see "MULTI-CONTROL VALVE" in "MACHINE FAMILIARIZATION" or "OPTIONAL EQUIPMENT".



#### ABOUT THE USE OF THIS MACHINE

To operate this machine, fully read the safety precautions of this manual and understand them thoroughly.



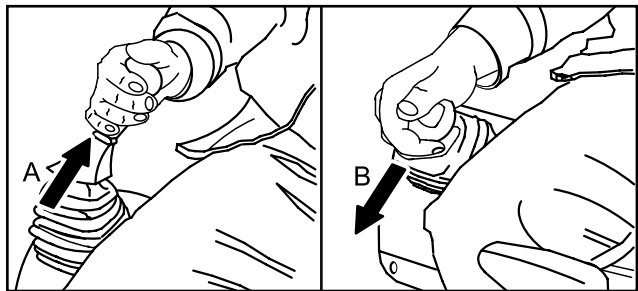
#### INTERFERENCE BY FRONT ATTACHMENT

Check clearance between the front attachment and the operator's station and other parts of the machine before starting operation because a certain kinds of front attachment and combination of the options installed on the base machine may cause the front attachment to interfere with the operator's station or other parts of the machine.

#### BOOM OPERATION

To operate the boom, move the right control lever forward and backward. Speed of the boom is controlled by the displacement of the control lever.

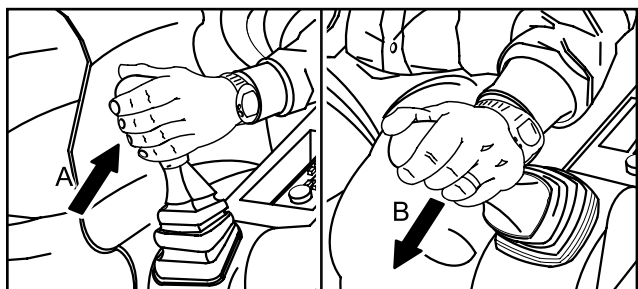
- A: Pull the right control lever backward to move the boom up.
- B: Push the right control lever forward to move the boom down.
- Return the right control lever to the neutral (center) position to stop the boom.



#### ARM OPERATION

To operate the arm, move the left control lever forward and backward. Speed of the arm is controlled by the displacement of the control lever.

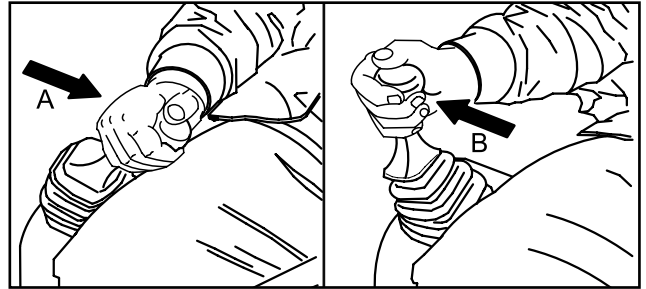
- A: Pull the left control lever backward to move the arm closer to the cab (Arm in).
- B: Push the left control lever forward to move the arm forward and away from the cab (Arm out).
- Return the left control lever to the neutral (center) position to stop the arm.



## BUCKET OPERATION

To operate the bucket, move the right control lever left and right. Speed of the bucket is controlled by the displacement of the control lever.

- A: Move the right control lever left to move the bucket to the digging side.
- B: Move the right control lever right to move the bucket to the dumping side.
- Return the right control lever to the neutral (center) position to stop the bucket.



## SWING OPERATION

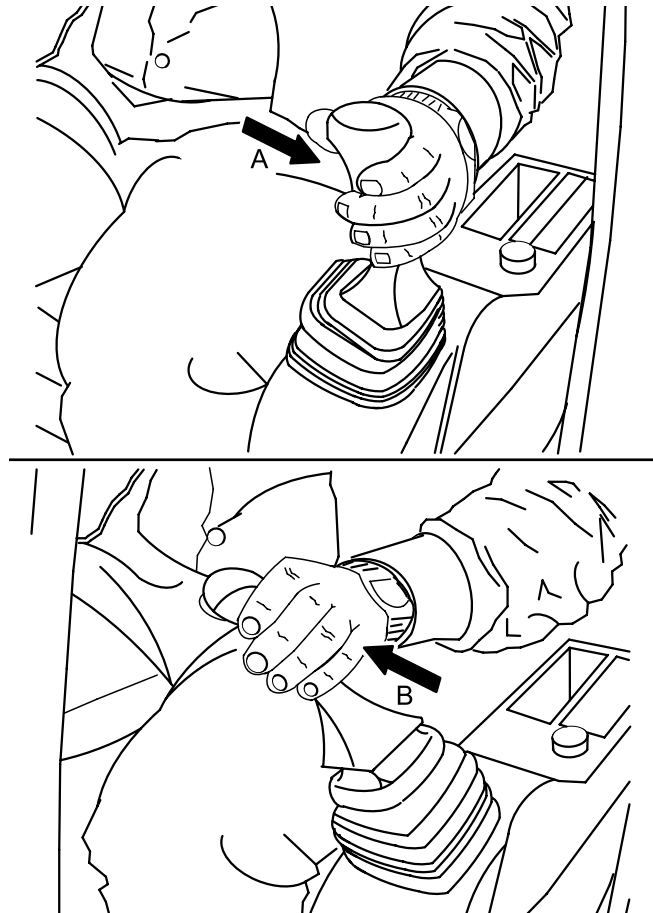


### PRECAUTIONS TO PREVENT DANGER IN SWINGING

Make sure that the swing area and the surroundings are clear of obstacles and people before beginning operation. Sound the horn or send signals to warn people before starting to operate the machine.

To perform the swing operation, move the left control lever left and right. Speed of the swinging is controlled by the displacement of the control lever.

- A: Move the left control lever left to swing the machine left.
- B: Move the left control lever right to swing the machine right.
- Return the left control lever to the neutral (center) position to stop the swinging.

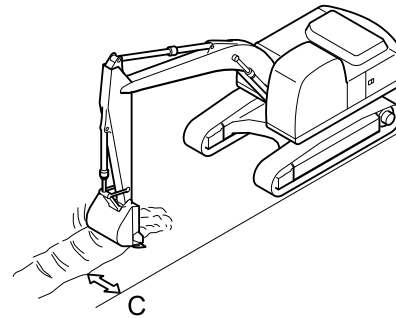
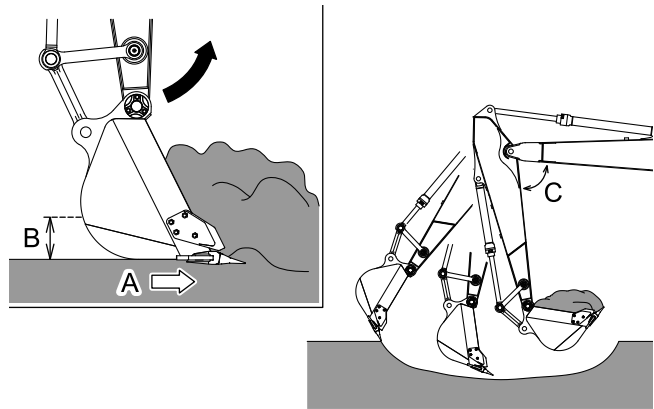


## 3.11 WORK PROCEDURES OF MACHINE

### 3.11.1 DIGGING WORK

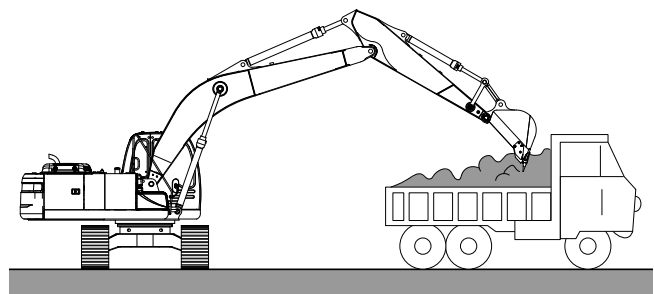
For digging work, mainly the arm crowding force is used, and the bucket scooping force may be used if necessary.

- When a strong digging force is required, dig slowly while keeping angle (C) between the boom and the arm at approximately 90 to 110 degrees. When lowering the boom, avoid rapid operations. Especially, urgent stop during boom "DOWN" has a great impact on the machine, resulting in adverse effects on parts.
- Point the bucket tooth tips to digging direction (A) as much as possible, and dig with the bucket positioned at shallow depth (B) by operating the arm and the bucket. This will reduce the digging resistance and damage to the tooth tips.
- If soil does not fall out easily, set the bucket in the bucket out position and move the bucket a few times by the control lever. Never extend and retract the bucket cylinder repeatedly with the boom cylinder and the arm cylinder fully extended or retracted to fall out the soil.
- When digging a wide trench, dig both sides of it first and dig the center last. To improve the efficiency, attach a bucket suitable for trenching and place the crawlers parallel (C) to the trench to dig.



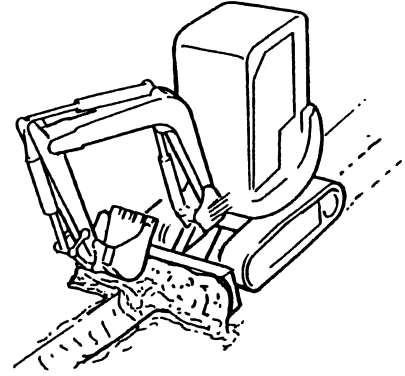
### 3.11.2 LOADING WORK

- Before performing loading and unloading, set a dump truck on a place where the dump truck can be easily seen from the operator with the smaller swing angle.



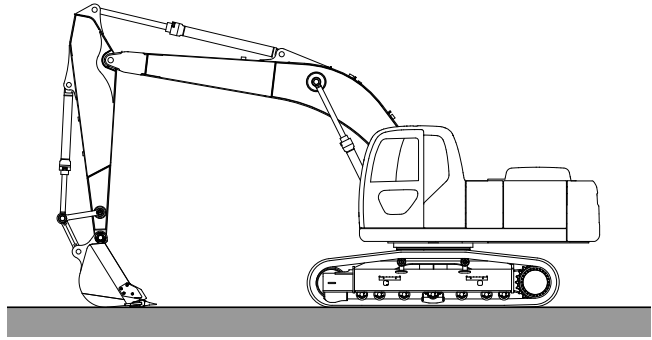
### 3.11.3 GROUND LEVELING WORK

1. For backfilling and leveling work after digging, use the dozer.
2. Scrape the embankment from the top surface. If the load on the machine is too much, adjust the dozer height by using the dozer control lever to move the dozer up and down.

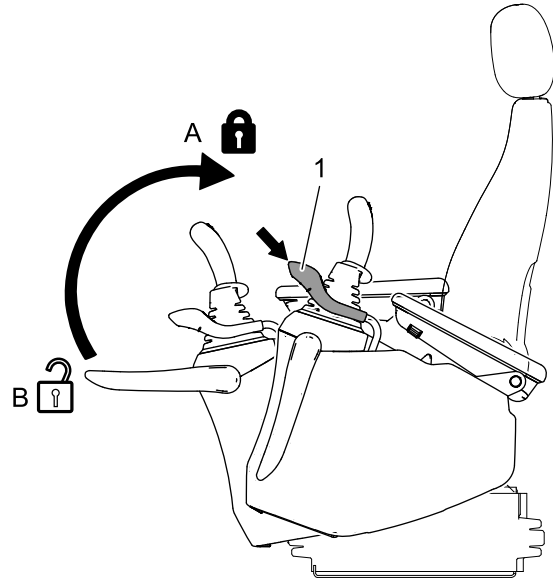


## 3.12 ALWAYS PARK MACHINE PROPERLY

1. Travel machine to a safe location on firm, level ground.
2. Lower the attachment to the ground.  
If equipped with a dozer blade, lower it to the ground.
3. Set the auto acceleration switch to the "OFF" position.



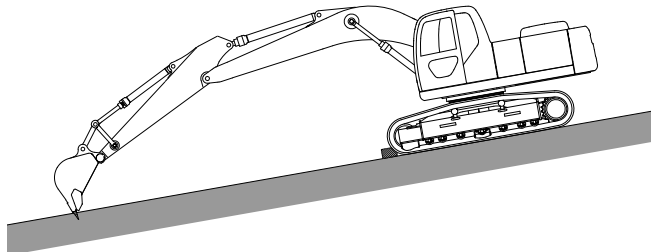
4. Pull the control lock lever(1) to the "LOCKED" (up) position(A).  
If not locked, accidental or unintended contact with the control levers, pedals and other control devices may result in unexpected and unintended machine movement.
5. Turn engine throttle to the low idle position.
6. Turn the starter switch to the "OFF" position and remove the key.  
Close and lock the windows and the cab door.  
Check the windows, doors and all other machine access covers are locked and secure.



### 3.12.1 PARKING MACHINE ON SLOPE

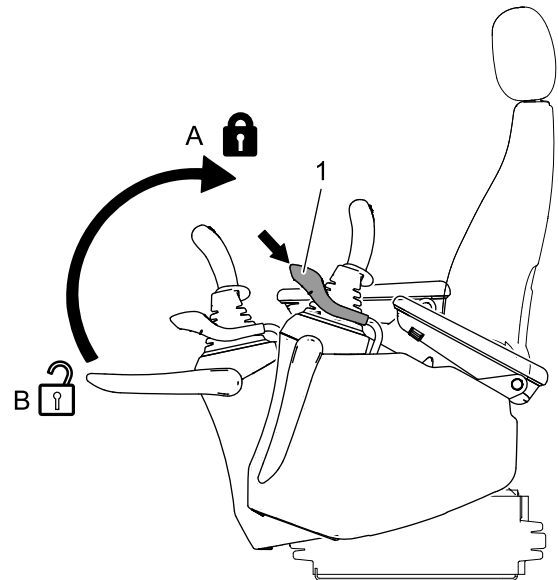
If the machine must be parked on a slope.

1. The undercarriage and the upper structure and the attachment /equipment must face downhill.
2. Lower the attachment into the ground. If equipped with a bucket, wedge the bucket into the ground.  
If equipped with a dozer blade, lower it to the ground.
3. Set the auto acceleration switch to the "OFF" position.





4. Pull the control lock lever(1) to the "LOCKED" (up) position(A).  
If not locked, accidental or unintended contact with the control levers, pedals and other control devices may result in unexpected and unintended machine movement.
5. Turn engine throttle to the low idle position.
6. Turn the starter switch to the "OFF" position and remove the key.  
Close and lock the windows and the cab door.  
Check the windows, doors and all other machine access covers are locked and secure.
7. Block the tracks in the front and the rear.



## 3.13 INSPECTION AND CHECK AFTER OPERATION

Check the engine coolant temperature, engine oil pressure and fuel level on the monitor.

- If there is the engine coolant temperature or the engine oil pressure warning display, move the machine to a safe place and stop the engine immediately. Then repair the machine according to "INSPECTION AND MAINTENANCE CHART" in Chapter 4.
- Check oil and water leakage, the attachment/equipment, the exterior parts, and the travel system components. If leakage or damage is found, repair it immediately according to "INSPECTION AND MAINTENANCE CHART" in Chapter 4.
- Refuel the tank to the maximum. Refuel the tank to the maximum after finishing work for a day. Be careful not to refuel the tank to a level more than necessary (to the top end the tank). There is a possibility of overflowing because the fuel expands as the outside air temperature rises.
- Clean all slippery substances such as grease, oil, hydraulic oil, mud, and others attached to the steps, handrails, crawlers, ladders, and platforms.

## 3.14 MACHINE OPERATION IN ADVERSE CONDITIONS

### 3.14.1 OPERATION IN COLD CONDITION



When the ambient temperature is low, starting the engine may be difficult due to decrease of oil liquidity, and the radiator may be damaged due to coolant freezing.

#### FUEL/OIL

Use good low-viscosity fuel/oil for each device. For the optimum viscosity, see "LUBRICANT, FUEL & COOLANT SPECIFICATIONS" in Chapter 4.

#### COOLANT

When operating or storing the machine in cold climates, the additive rate of the cooling system should match the expected minimum outdoor temperature.

If the coolant is frozen, it may cause damage to the radiator, cylinder block and cylinder head. When being shipped from the factory, "Long Life Coolant" is used to prevent rust and freezing of the cooling system.

When operating or storing the machine in extreme cold, check the coolant frequently to keep an appropriate concentration. For the concentration of coolant, see "LUBRICANT, FUEL & COOLANT SPECIFICATIONS" in Chapter 4.

#### BATTERY

When the ambient temperature is low, the battery capacity may decrease and the battery electrolyte may freeze. Charge the battery full earlier than the specified interval and pay full attention to thermal insulation by covering the battery.

When leaving the machine outdoors overnight, it is recommended to remove the battery and store it in a warm room.

Measure the specific gravity of battery electrolyte after its temperature becomes almost the same as the outdoor temperature, instead of immediately after operation. The charging rate can be calculated roughly by measuring the specific gravity and using the table below.

#### Specific Gravity of Battery Electrolyte

Charging rate	Battery electrolyte temperature		
	-20 degrees C	0 degrees C	20 degrees C
100%	1.31	1.29	1.28
90%	1.29	1.28	1.26
80%	1.28	1.26	1.25
75%	1.27	1.25	1.24

#### AFTER OPERATION

To prevent malfunctions of the travel system components due to freezing of mud and water stuck to them, follow the precautions below.

- Remove mud and water stuck to the machine sufficiently. Especially, be sure to drain off the water from the travel system, and then park the machine on a dry and firm ground to prevent the travel system from freezing.
- Wipe the cylinder rod completely. If frozen mud or water is stuck to the cylinder rod surfaces, the seal may be damaged when retracting the cylinder. Retract each cylinder to the minimum size to minimize the exposed area of the rod.

For the storing position, see "PRECAUTIONS FOR LONG-TERM STORAGE" in Chapter 3.

### 3.14.2 OPERATION AT SEASHORE

After operation, wash the machine carefully to remove salt, and apply anti-rust treatments with oil and grease, if necessary.

### 3.14.3 OPERATION IN SANDY AND DUSTY AREAS

- Clean and change the air cleaner element earlier than the specified interval.
- Clean the radiator earlier than the specified interval to prevent the radiator core from being clogged with dust.
- Be careful to prevent dust entering when refueling, and refilling oils. Inspect the filter element earlier than the specified interval.
- Especially, clean the starter and alternator earlier than the specified interval to prevent deposit of dust on them.

## 3.15 PRECAUTIONS FOR LONG-TERM STORAGE

When storing the machine for a long period (one month or longer), maintain the machine with attention to the following points, to prevent decrease in function at the next operation.

### 3.15.1 WASHING MACHINE

Wash the machine thoroughly, inspect and maintain the travel system components and apply touch-up to the peeling paint and scratches. Apply grease to the greasing points.



DO not wash the inside of the cab.

When washing the machine, cover the CPU and the electric components to prevent water or steam from splashing on or contacting with them.

---

### 3.15.2 REFILLING OIL/GREASING

Check the level and contamination of the fuel and hydraulic oil. Refill the oil if the level is low, and replace the oil if the oil is contaminated.

- To prevent condensation in the fuel tank, supply new clean fuel fully to the upper limit.
- Apply a sufficient quantity of anti-rust oil to any parts which rust easily, especially to the exposed area of each cylinder piston rod.

### 3.15.3 BATTERY

- To compensate the self-discharge during storage, perform auxiliary charge at least once a month.
  - Confirm that the battery power-off switch is set to the "OFF" position to cut off the current.
  - Remove the negative (-) terminal from the battery, and remove the battery from the machine for storage. Be careful not to connect the negative (-) terminal of the battery to the body (ground terminal) with a tool when removing the battery. It will cause short circuit even when the battery power-off switch is set to "OFF".
- 



Before turning the battery power-off switch to the "O (OFF)" position or removing the terminal of the battery, turn the starter switch to the "OFF" position and wait 5 minutes or more.

When turning off the battery power-off switch immediately after the engine is stopped, the exhaust gas cleaning device may be damaged.

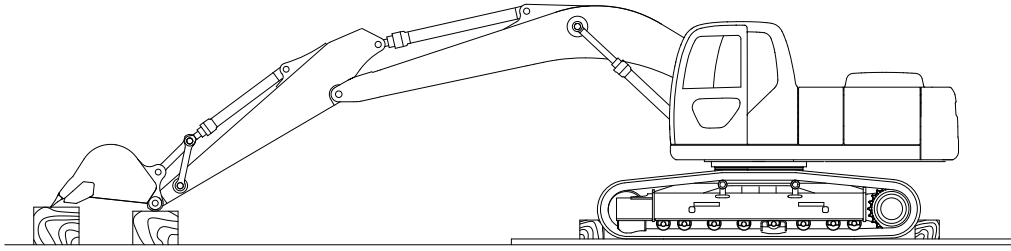
---

### 3.15.4 COOLANT

If there is a possibility of freezing, mix the antifreeze (non-amine type) into the radiator.

However, normally it is not necessary because long life coolant is already mixed at the time of shipment. See "LUBRICANT, FUEL & COOLANT SPECIFICATIONS" in Chapter 4.

### 3.15.5 PREVENTION OF DUST AND MOISTURE



Store the machine in a dry indoor location. If you place the machine outside unavoidably, lay ladders on a flat ground and cover the machine with a sheet. Especially, cover the muffler, hydraulic oil tank breather, fuel tank cap, and swing motor level gauge.

To protect the exposed part of the rod, fully retract the arm and bucket cylinders, be sure to place the bucket on the ground and chock the crawlers.

### 3.15.6 PERIODICAL LUBRICATING OPERATION (DURING STORAGE)

Once a month, start the engine to move the machine and also perform lubricating operation to supply lubricant to every kind of parts of the machine. If the oil film shortage occurs on parts and rust is formed on parts, it may cause abnormal wear at the next operation.

- Check the engine oil level and coolant level before starting the engine. Refill engine oil or coolant if its level is low.
- Wipe off the anti-rust oil from the cylinder rods. After the lubricating operation, apply the anti-rust oil again.
- After starting the engine, fully warm-up the machine.
- If the machine is stored indoors, adequate ventilation is required during warming-up.

#### **Lubricating operation**

1. Slowly extend and retract each cylinder several times and circulate the hydraulic oil in all operation circuits.
2. Also perform swing and traveling slowly to circulate the hydraulic oil.

### 3.15.7 TREATMENT AFTER LONG-TERM STORAGE

When starting to use the machine after a long-term suspension, perform the following treatments.

- Loosen the plugs of the travel reduction unit and swing reduction unit and remove the dust and water which deposited during the long-term storage.
- Lubricant gets deteriorated while the machine is not in use. Use extreme caution when starting to use the machine at the next time.
- Check the deterioration of the hydraulic hoses carefully after the long-term storage. Replace the deteriorated hoses.
- Wipe off the anti-rust oil from the cylinder rods.
- Refill oil and grease to all necessary parts.
- Check the engine oil level and coolant level before starting the engine. Refill engine oil or coolant if its level is low.
- After starting the engine, fully warm-up the machine and repeat the traveling, swing and digging operations several times to prevent hydraulic oil film shortage.
- If the machine is stored indoors, adequate ventilation is required during warming-up.

# 4. INSPECTION AND MAINTENANCE





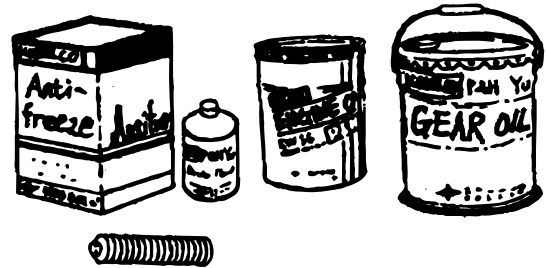
## 4.1 GENERAL



### INSPECTION AND MAINTENANCE ON THE MACHINE

Thoroughly read and understand the safety precautions contained in this manual before performing any inspection or service procedures on systems or components of this machine.

- Regular inspection and maintenance enable this machine to achieve the full function and extend the service life of each part.
- The information contained in this chapter gives the proper procedures for performing inspection and maintenance functions for this machine. Use these procedures when performing inspection and maintenance as they will guide the technician step by step for each procedure. Also, see "INSPECTION AND MAINTENANCE CHART" for general service interval recommendations.
- As a general rule, the period of the lubrication and maintenance is determined by the hour meter. If the hour meter reading matches roughly with the calendar day, and if you would like to schedule them based on the calendar day, take whichever comes first. For items which do not have a certain service time, see "WHEN REQUIRED".



#### Notice

"INSPECTION AND MAINTENANCE CHART" provided in this chapter gives general time intervals. Operation in sites under hostile work conditions or with a lot of dust and moisture may need more frequent lubrication and maintenance than the service times specified there.

- Use only specified oils, fluids, lubricants, filters and replacement parts to keep machine in optimum operating condition. Use the oils and greases with the specified viscosity depending on the ambient temperature. Store containers of oils, fluids and grease indoors in an appropriate location. This will prevent contamination from dust, and water, etc.

## 4.2 INSPECTING AND MAINTAINING MACHINE

### 4.2.1 PERIODIC INSPECTION AND MAINTENANCE

Regular inspection and maintenance enable this machine to achieve the full function and extend the service life of each part. As a general rule, the period of the lubrication and maintenance is determined by the hour meter. If the hour meter reading matches roughly with the calendar day, and if you would like to schedule them based on the calendar day, take whichever comes first. For items which do not have a certain service time, see "WHEN REQUIRED". Also, operation in sites under severe work conditions or with a lot of dust and moisture may need more frequent lubrication and maintenance than the service times specified there.

### 4.2.2 PRECAUTIONS OF INSPECTION AND MAINTENANCE

Use inspection and maintenance procedures described in this manual. Park the machine on a level and firm ground before inspection and maintenance.

---

#### Notice

For the adjustment, disassembling and repair of the engine, reduction unit, hydraulic component and electronic devices (controller, etc.), contact your KOBECO authorized dealer.

---

#### **STOP THE ENGINE BEFORE INSPECTION AND MAINTENANCE**

Be sure to stop the engine before inspection and maintenance of the engine. Inspecting and maintaining the running engine may cause injury by being caught in the cooling fan or fan belts. When running the engine is unavoidable during the inspection or maintenance, it should be done by at least two persons with the condition that one person can stop the engine at any time and they are communicating with each other.

#### **PUT THE WARNING TAGS**

Put the tags "DO NOT START ENGINE!", "DO NOT OPERATE" and "UNDER INSPECTION/MAINTENANCE" on noticeable places such as around the operator's seat as well as the starter switch or control levers before inspection and maintenance.

#### **USE OUR GENUINE PARTS**

- For replacement of parts, grease and oil, be sure to use KOBELCO genuine parts. Use grease and oil with the specified viscosity depending on the ambient temperature.
- Store containers of greases and oils in a clean room to keep them away from dust and water.

#### **KEEP OUT DUST**

Attach a plug or cap to the lubrication hole of a removed hydraulic hose or hydraulic component to keep out foreign materials.

#### **INSPECT DRAIN OIL AND FILTERS**

When replacing oil or filter, check the drain oil or old filter for metallic powder or other foreign materials mixed. Contact the person in charge and take appropriate measures if any foreign materials are found.

#### **HANDLING OF WASTE OIL AND ANTIFREEZE**

Be sure to drain waste oil and antifreeze in containers and ask a public service company for disposal of them as the industrial waste.

#### **CLEAN THE SEALING SURFACE**

After removing the O-ring or gasket seal, clean the sealing surface to replace it with a new one. Apply thin oil to the O-ring or seal and attach it into the groove correctly.

#### **DO NOT MIX OILS**

Never mix different kinds of oil. When using another kind of oil, replace the total amount of old oil.

### 4.2.3 SUPPORT STAY

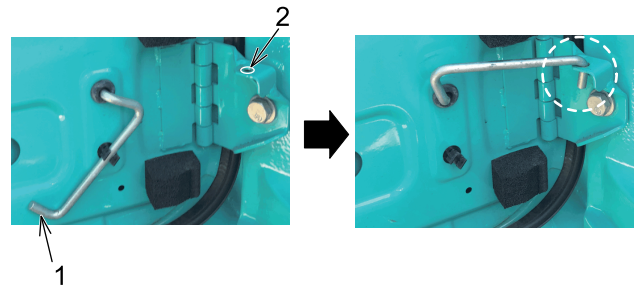
The support stays are provided on the side doors and the engine hood.  
When opening the side doors and the engine hood, be sure to fix them with the stays

**CAUTION**

Before performing inspection or maintenance, be sure to fix the opened side doors and the opened engine hood with the support stays to prevent them from moving, resulting in personal injury.

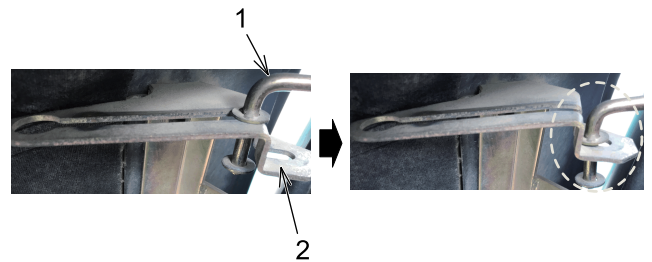
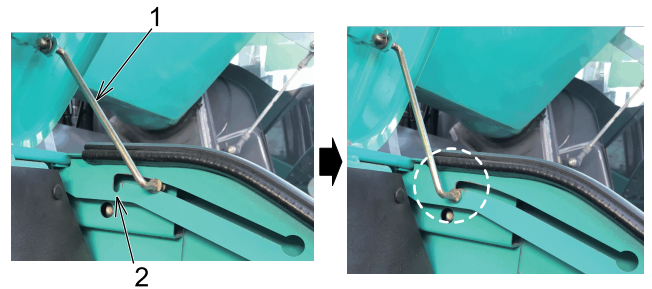
#### Stay fixed by hole

Open the door, and put stay (1) into fixing hole (2) to fix the stay.  
Before closing the door, remove the stay from the fixing hole, return it to the original position, and then close the door.



#### Slide type stay

Open the door, slide stay (1) to fixing part (2) of the guide to fix the stay.  
Before closing the door, remove the stay from fixing part (2) and then close the door.



4

## 4.3 DIESEL PARTICULATE FILTER (DPF)

### 4.3.1 ABOUT DPF

DPF traps soot emitted from the engine using the filter to clean up exhaust gas.

When a certain amount of soot trapped on the filter is deposited, DPF enters the mode in which it burns the trapped soot. Burning soot in this mode to recover the filter function is called "regeneration".

Be sure to comply with the followings to prevent failure of DPF. (Time of deposition varies depending on the working conditions.) It is normal even though the exhaust sound changes during soot combustion.

---

#### Notice

When a certain amount of soot in the exhaust gas is deposited on the filter, DPF automatically burns the trapped soot according to the operating condition. For details, see "ABOUT AUTOMATIC REGENERATION". In some operating conditions, the automatic combustion may not be completed. At that time, the indication appears on the monitor to request the actuation of DPF manual regeneration. Pull up the control lock lever and press the DPF manual regeneration switch. This prevents abnormal deposit of soot and keeps the purification capacity of DPF in good condition at all times.

---

### 4.3.2 ABOUT AUTOMATIC REGENERATION

When a certain amount of soot is deposited on the DPF filter, the DPF enters the mode to burn the soot automatically.



At this time, the indication of regenerating is displayed on the monitor, but normal operations are possible.

---

#### CAUTION

Immediately after the machine operation and during the regeneration, the temperature around the exhaust pipe and muffler and of the exhaust gas are very high. Putting any combustible materials close to these hot parts causes a fire. Touching hot exhaust gas may cause burns.

---

#### Notice

In some operating conditions, the automatic regeneration may not be completed. When the automatic regeneration is not performed and soot is deposited, the warning requesting the user to perform the manual regeneration is displayed on the monitor. In this case, perform the manual regeneration, referring "ABOUT MANUAL REGENERATION".

---

In the following operations, the automatic regeneration may be difficult to complete.

- At engine start, when the control lever is pulled up to the "LOCKED" position and most of the times the levers are not operated.
  - When many operations at a low speed of the engine are performed.
  - When the engine is started and stopped frequently
  - When the operation is performed in an extremely cold place
  - When there are many low-load operations
  - When the engine is operated and stopped while it is still not warm
- 

#### Notice

The above indication may be displayed also when the deposited amount of soot is low.

---

### 4.3.3 ABOUT MANUAL REGENERATION



When this warning is displayed on the monitor, perform the manual regeneration of DPF immediately.

#### Notice

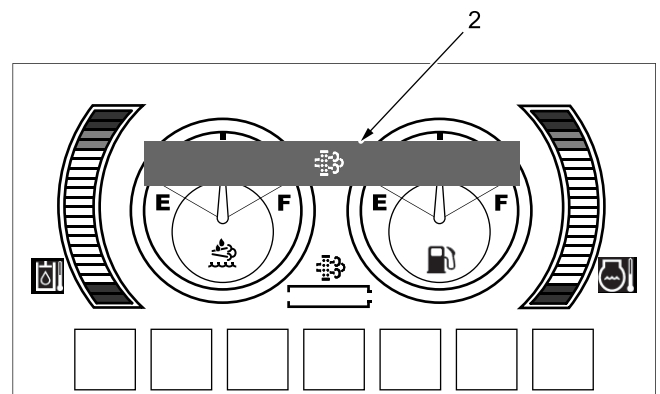
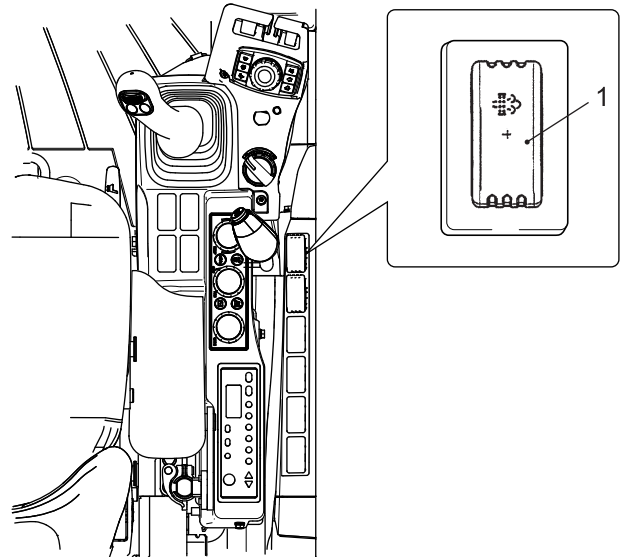
- DPF starts the automatic regeneration when a certain amount of soot is deposited, but it may not be completed in some operating conditions.  
When the automatic regeneration is not performed and soot is deposited, the above warning is displayed and the warning sounds. In that case, perform the manual regeneration in the following procedure.
- When too much soot is deposited, DPF failure occurs and the engine speed is restricted. To restore DPF, the machine needs to be maintained at our service factory.

#### OPERATION METHOD

#### CAUTION

- Immediately after the machine operation and during the regeneration, the temperature around the exhaust pipe and muffler and of the exhaust gas are very high. Putting any combustible materials close to these hot parts causes a fire. Touching hot exhaust gas may cause burns.

1. Move the machine to a safe place.
2. Place the machine in the parking position and move the control lock lever to the "LOCKED" position.
3. Press DPF manual regeneration switch (1).  
Indication of regenerating (2) is displayed on the monitor. The engine speed is fixed and the machine enters the mode in which soot is burnt.
4. When indication (2) goes off, the manual regeneration is completed.  
When the engine is stopped during the manual regeneration or when the control lock lever is set to the "UNLOCKED" position, the regeneration is paused.  
In that case, perform the manual regeneration again.



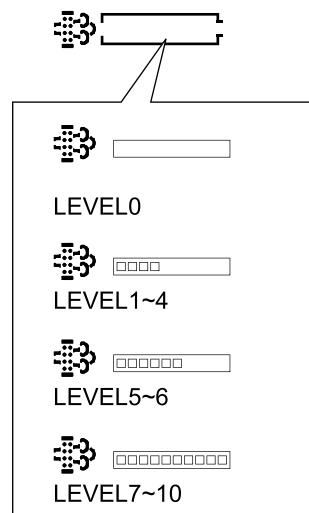
**Notice**

- It takes about 20 to 30 minutes to complete the manual regeneration.
- Regeneration is performed by increasing the temperature inside the muffler to a certain level. Therefore, the process completes faster if it is performed immediately after operation, when the temperature inside the muffler is high.
- It may take more than 30 minutes for combustion when the engine is cool because warming-up is needed before combustion.

### 4.3.4 SOOT DEPOSITION METER AND WARNING DISPLAY

Soot deposition amount can be checked with the monitor. Set the starter key switch to "ON" position to display soot deposition meter (1). Use this meter as a rough guideline.

If the manual/automatic regeneration is not performed, the soot deposition amount becomes high, the warning appears and the warning sounds, the engine speed is restricted, and regeneration becomes impossible. To restore DPF, contact our service factory for maintenance.



Warning Display	Soot Deposition Meter	
	Level	Color
None	0	No Display
None	1 to 4	Green
	5 to 6	Yellow
	7	Red
	8 to 9	
	10	

- If the soot deposition meter shows Level 5 (yellow) or more, the warning appears with sound. Perform the manual regeneration.
- If the soot deposition meter shows Level 7 (red) or more, the additional warning, "EXHAUST GAS AFTER TREATMENT EQUIPMENT WILL BE DAMAGED", is displayed. Perform the manual regeneration.
- If the soot deposition meter shows Level 8 (red) or more, the engine speed is restricted. Stop the operation and contact your KOBELCO authorized dealer.
- If the soot deposition meter shows Level 10 (red), and the "EXHAUST GAS AFTER TREATMENT EQUIPMENT FAILURE" warning is displayed, the engine speed and the engine output are restricted. Manual generation becomes impossible in this state even if the switch is pressed. Stop the operation and contact your KOBELCO authorized dealer.

### 4.3.5 INSPECTION AND MAINTENANCE

- Inspection interval: Every 1,000 hours (or every year)  
Inspect the external appearance of the DPF including the emission sensor and the differential pressure sensor.  
For inspection and replacement, contact your KOBELCO authorized dealer.
- Replace DPF every 8,000 hours. For replacement, contact your KOBELCO authorized dealer.

### 4.3.6 PRECAUTIONS OF USING DPF

#### USE SPECIFIED FUEL ONLY

---

**Notice**

Use the specified fuel described in "LUBRICANT, FUEL & COOLANT SPECIFICATIONS" in Chapter 4 in the operation manual.

If you use fuel other than the specified fuel, it has an adverse effect on the engine and DPF, causing white smoke and malfunction.

---

#### USE SPECIFIED ENGINE OIL ONLY

---

**Notice**

Use the specified engine oil described in "LUBRICANT, FUEL & COOLANT SPECIFICATIONS" in Chapter 4 in the operation manual.

Use the specified engine oil to keep the DPF function normal for a long time.

---

#### PROHIBITION OF ENGINE PIPE DISASSEMBLY

---

**Notice**

Do not remove the exhaust pipe or disassemble the muffler and parts around it. This may affect the performance of DPF adversely or break it.

---

## 4.4 SCR SYSTEM AND DEF/ADBLUE

This machine is equipped with SCR (Selective Catalytic Reduction) system for NOx (nitrogen oxidate) discharge reduction.

### 4.4.1 SCR

SCR equipped with this machine reduces NOx in exhaust gas by injecting DEF/AdBlue into the muffler to resolve NOx in the exhaust gas into water and nitrogen.

### 4.4.2 DEF/AdBlue

DEF/AdBlue is used for the SCR system on this machine. Use only specified DEF/AdBlue.

---

#### CAUTION

- DEF/AdBlue should meet ISO 22241-1 or JIS K2247-1.
  - Do not put diesel fuel or water in the DEF/AdBlue tank.
  - Follow the precautions for handling DEF/AdBlue specified by the manufacturer.
- 

### 4.4.3 DEF/AdBlue CIRCUIT AND BATTERY

---

#### CAUTION

Before removing the battery terminals, turn the starter switch to the OFF position and wait 5 minute or more. If the battery power is turned off immediately after stopping the engine, it may cause damage to the exhaust gas cleaning device.

---

#### Notice

Even after turning the engine OFF, you may hear running sound of the DEF/AdBlue supply module. To prevent DEF/AdBlue remaining in the DEF/AdBlue pipe from freezing and drying, DEF/AdBlue is returned to the tank with the DEF/AdBlue supply module.

---

### 4.4.4 STORING DEF/ADBLUE

---

#### Notice

DEF/AdBlue freezes at - 11 degrees C (12 degrees F). The container may be damaged from volume expansion due to freezing.

---

- DEF/AdBlue should be stored in a place without direct sunlight and with well ventilation, with its container sealed.
- Do not mix DEF/AdBlue with other chemicals, heat it, or dilute it with water.

### 4.4.5 PURCHASING DEF/ADBLUE

DEF/AdBlue can be purchased in the following places or confirm where to purchase.

- Gas stations and stores that sell automobile goods.
- DEF/AdBlue manufacturers
- KOBELCO authorized dealer/distributor






## 4.4.6 LOW DEF/ADBLUE LEVEL

### Notice

If the pointer of the monitor points the yellow or red range, immediately supply DEF/AdBlue until the pointer points the place higher than the yellow range.

When DEF/AdBlue becomes low, restriction is applied to the engine output.

When the following warnings are displayed in the multi-display, see "CHECKING DEF/ADBLUE LEVEL AND REFILLING" to supply DEF/AdBlue.

Level	Warning Display	Contents
1st Level		Displayed with the warning sound when the pointer of the DEF/AdBlue level gauge points the yellow range.
2nd Level		Displayed with the warning sound when the pointer of the DEF/AdBlue level gauge points the yellow range. Gradually, a restriction is applied to the engine output.
3rd Level		Displayed with the continuous warning sound when the pointer of the DEF/AdBlue level gauge points the E point. The engine output is further restricted than Level 2.

## 4.4.7 QUALITY PROBLEMS OF DEF/ADBLUE




### CAUTION

- Use DEF/AdBlue which meets ISO 22241-1 or JIS K2247-1.
- Do not add diesel fuel or water in the DEF/AdBlue tank.
- Follow the precautions for handling DEF/AdBlue specified by the manufacturer.

When the following warnings are displayed on the multi-display, something other than DEF/AdBlue is in the DEF/AdBlue tank. See "DRAINING DEF/ADBLUE" and "CHECKING DEF/ADBLUE LEVEL AND REFILLING" to drain and refill DEF/AdBlue.

If the machine is operated with the DEF/AdBlue in abnormal quality, the engine output is restricted.

Also, when something else than DEF/AdBlue is put in the tank and the engine is started, the DEF/AdBlue pipes and the DEF/AdBlue supply module may need to be replaced.

LEVEL	Warning Display	Description
Level 1		Displayed with the warning sound when the DEF/AdBlue sensor determines the quality problem of DEF/AdBlue.
Level 2		Displayed with the warning sound when a certain period of time has passed from Level 1. The engine output is gradually restricted.
Level 3		Displayed with the continuous warning sound when a certain period of time has passed from Level 2. The engine output is further restricted than Level 2.

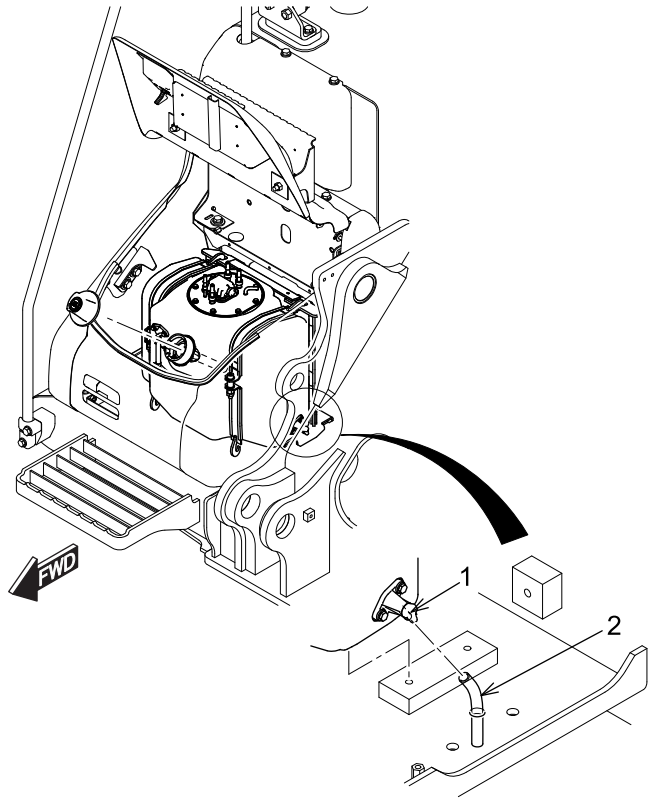
### Notice

When failure of the DEF/AdBlue quality or the exhaust gas cleaning device occurs repeatedly, the warning level goes up. If another failure of the DEF/AdBlue quality or the exhaust gas cleaning device occurs in a short period of time after the failure of that is corrected, the warning level starts from Level 3.

### 4.4.8 DRAINING DEF/ADBLUE

When draining the contents of the DEF/AdBlue tank due to warning for abnormal DEF/AdBlue quality or others, follow the next procedures.



















1. Prepare a container to receive drained DEF/AdBlue and cloths to wipe it off.
2. Use the starter key to open the cover at the right front side of the machine and hold it with the stay. Drain cock (1) for draining is provided at the side of the DEF/AdBlue tank.
3. Install drain hose (2) for drain to drain cock (1) and take out the end of the hose to the outside of the machine lower side.  
Size of hose: Inner diameter 7.5 mm (0.30 in.),  
Length 1,100mm (3 ft. 7 in.) or more
4. Place the container for drained DEF/AdBlue under drain hose (2).
5. Loosen drain cock (1) to drain the contents of the tank.
6. After draining the contents, securely tighten drain cock (1).
7. Then, see "CHECKING DEF/ADBLUE LEVEL AND REFILLING" in Chapter 3 of the standard operation & maintenance manual and refill DEF/AdBlue.
8. After the supply, check no warning is displayed on the monitor.
9. Remove the support stay and close the cover.



### 4.4.9 FAILURE OF EXHAUST GAS CLEANING DEVICE

When the following warnings are displayed on the monitor, the exhaust gas cleaning device has a failure or an error.

When keep operating with the exhaust gas cleaning device having a failure or an error, the engine output is restricted and, in the end, the machine becomes inoperable. When these warnings are displayed, contact our service factory.

LEVEL	Warning Display	Description
Level 1	  P204F	Failure of NOx exhaust control system (Error code is example)
	  P204F	Failure of DEF/AdBlue dosing module (Error code is example)
	  P1459	Failure of EGR valve (Error code is example)
Level 2	  P204F	Failure of NOx exhaust control system (Error code is example)
	  P204F	Failure of DEF/AdBlue dosing module (Error code is example)
	  P1459	Failure of EGR valve (Error code is example)
Level 3	  P204F	Failure of NOx exhaust control system (Error code is example)
	  P204F	Failure of DEF/AdBlue dosing module (Error code is example)
	  P1459	Failure of EGR valve (Error code is example)

#### Notice

When failure of the DEF/AdBlue quality or the exhaust gas cleaning device occurs repeatedly, the warning level goes up. If another failure of the DEF/AdBlue quality or the exhaust gas cleaning device occurs in a short period of time after the failure of that is corrected, the warning level starts from Level 3.

#### 4.4.10 EMERGENCY EVACUATION MODE

If the machine should be moved to somewhere emergency even though the machine is in a state of the third level of warning and under engine restriction due to DEF/AdBlue shortage, abnormal quality, or a failure of the exhaust gas cleaning device, keep pressing buzzer stop switch (5) and return switch (6) on the switch box for 5 seconds to enter the emergency evacuation mode.

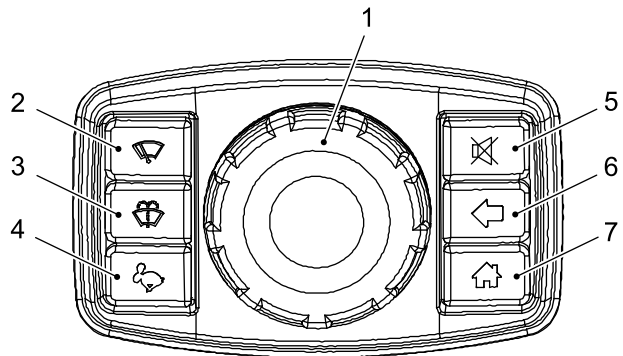
However, operations other than traveling are restricted, so normal operations become impossible.

#### **CAUTION**

- The emergency evacuation mode can be used for only total 30 minutes. Use this mode only in a case of emergency and if the warnings are displayed, take proper measures immediately.
- When entering the emergency evacuation mode, surely keep pressing buzzer stop switch (5) and return switch (6) on the switch box for 5 seconds.  
If not keep pressing them for 5 seconds securely, the machine will not enter the emergency evacuation mode.

#### Switch box

- (1) Jog dial
- (2) Wiper switch
- (3) Washer switch
- (4) Travel speed select switch
- (5) Buzzer stop switch
- (6) Return switch
- (7) Home switch



#### 4.4.11 SCR INSPECTION AND MAINTENANCE

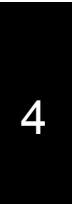
There are parts in SCR that require a periodical inspection and maintenance. (See "SCR SYSTEM" of "INSPECTION AND MAINTENANCE CHART" in Chapter 4 in the operation manual.)

## 4.5 LUBRICANT, FUEL & COOLANT SPECIFICATIONS

Regardless of the outdoor temperature, the following reduction units use the following oil:

- Swing reduction unit: Gear oil #90, API classification GL-4 class
- Travel reduction unit: Gear oil #90, API classification GL-4 class

Components	Type of Lubricant	Capacities (When changed)	Climate Zone										Specified Lubricant									
			-22	-4	14	32	50	68	86	104	°F	-30		-20	-10	0	10	20	30	40	°C	
Hydraulic oil tank	Hydraulic oil	96.7 Liters (25.5 Gal)																			(KOBELCO BRAND) Long life hydraulic oil KW5046	
		152.5 Liters (40.3 Gal) [Hydraulic system]																				(KOBELCO BRAND) Long life hydraulic oil KW5032S
Engine oil pan	Engine oil	[Total volume] 17.0 Liters (4.5 Gal) [H level] 15.0 Liters (4.0 Gal) [L level] 11.0 Liters (2.9 Gal)																			(KOBELCO BRAND) A.P.I CJ-4 ACEA E9, E6 JASO DH-2	
Swing motor reduction unit	Gear oil	1.65 Liter (0.4 Gal)																			(KOBELCO BRAND) A.P.I classification for "service GL-4"	
Travel motor reduction unit		2.1 Liter X 2 (0.6 Gal X 2)																				
Swing motor reduction unit (Housing)	EP grease	0.4 kg (0.9 lbs)																			(KOBELCO BRAND) Extreme pressure multipurpose grease  Cartridge (400g x 20 units)  Pail can	
Attachment pins		16 places																				
Slewing ring gear		1 place																				
Track tension Adjustment		2 places																				
Operating lever (Pilot valve)		As required																				
Swing gear		8.2 kg (18.0 lbs)																				
Fuel tank		Diesel fuel	280 Liters (74.0 Gal)																			
																						EN 590
Diesel exhaust flued tank	DEF / AdBlue	33.9 L (8.96 Gal)																			ISO 22241-1	
Radiator (Reserve tank)	Engine coolant (Antifreeze)	16 L [Total volume 9 L]																			(KOBELCO BRAND) [Do not mix and use different types of coolants.]	



## [4. INSPECTION AND MAINTENANCE]

---

---

### Notice

- When oil leakage or damage of the lower roller, upper roller and front idler is recognized, contact your KOBELCO authorized dealer for repair.
  - Be sure to use the specified fuel. To achieve a good fuel efficiency and exhaust gas property, the engine of this machine uses the electronically controlled fuel injector.  
Because this device requires high parts precision and high lubricating ability, when low viscosity fuel with low lubricating ability is used, the durability may decrease significantly.
- 
- 

### Notice

When replacing and refilling the long life hydraulic oil, use the oil specified by KOBELCO.

When non-specified hydraulic oil is used or mixed, the performance decreases and the replacement interval of hydraulic oil needs to be shortened.

---

---

### Notice

This machine is intended to be operated in the range of -20 degrees C to 40 degrees C (-4 degrees F to 104 degrees F).

---

## 4.6 ABOUT USE OF BIO-OIL (BIODEGRADABLE HYDRAULIC OIL)

### 4.6.1 GREASE AND OIL FOR USE

Regarding greases and oils for use, ask your KOBELCO authorized dealer.

### 4.6.2 PRECAUTIONS FOR BIO-OIL

- When charging bio-oil to a machine using conventional mineral oil, perform flushing three times. Without flushing, the mineral oil in the circuit is not completely cleaned and the effect of biodegradability cannot be expected.
- Because the friction coefficient of bio-oil is smaller than that of mineral oil, the performance of parking brakes for swing and travel decrease.

### 4.6.3 REPLACEMENT INTERVAL OF BIO-OIL

Bio-oil should be replaced every 2,000 hours.

For replacing procedures, see "CHANGING HYDRAULIC OIL" in Chapter 4.

### 4.6.4 FLUSHING PROCEDURES OF BIO-OIL

1. Drain all mineral oil from the hydraulic oil tank.
2. Drain all mineral oil from the cylinders.
3. Charge new bio-oil in the hydraulic oil tank fully.
4. After starting the engine, operate each cylinder for 10 strokes respectively.

---

**CAUTION**

Rapid operation may burn the seal because of the air remained in the cylinder. During the first 4 strokes, operate the cylinder slowly with the engine speed at low idle to charge the hydraulic oil in the cylinder.

5. Idle the right and left travel motors for about 3 minutes respectively.
6. Perform the swing operation for 10 turns.
7. Drain all bio-oil from the hydraulic oil tank.
8. Drain all bio-oil from each cylinder.
9. Charge new bio-oil in the hydraulic oil tank and repeat the procedures 4 to 9 twice.
10. In the final state, analyze the hydraulic oil and check the remaining amount of mineral oil.

## 4.7 MAINTENANCE PARTS

Replace parts, such as filters and elements, during the periodical maintenance or before the end of the service life. The machine can be used economically if the maintenance parts are changed properly and timely.

The part numbers are subject to change without notice.

When placing an order of parts, ask your KOBELCO authorized dealer for the part numbers.

### MAINTENANCE PARTS LIST

Item	Part Number	Part Name	Q'ty	Replacement Interval	
Hydraulic oil tank	YN52V01025R200	Return filter element kit (STD, Breaker)	1	Replace at 50 hours for the first time, then every 1000 hours (every 250 hours with breaker specification)	
Hydraulic oil tank	LQ50V00004F1	Suction strainer	1	Clean every 2000 hours	
Air breather	YN57V00012S002	Element	1	Replace every 1000 hours. Replacement every 1000 hours is just a rough guideline. If the machine is operated in very dusty conditions, replace the element earlier.	
Air cleaner	LP11P00015S005	Element (Outer)	1	Replace every 6 times cleaning or every 1 year	
	LP11P00015S006	Element (Inner)	1	Replace at the same time with the outer element (do not clean)	
	LP11P00015S002	O-ring	1	When required	
Engine oil filter	VI8983020750	Cartridge	1	Replace at 50 hours for the first time, then every 500 hours	
Fuel filter	Main	VI8983129180	Cartridge	1	Replace every 500 hours
	Pre	YN21P01068R100	Element	1	
Air conditioner	YT50V01036P1	Fresh air filter	1	Replace after 10 times cleaning. When clogging is severe, clean or replace the filter.	
	LQ50V01007P1	Recirculation air filter	1		
Pilot line filter	YN50V00020F1	Pilot line filter	1	Clean every 2000 hours	
Radiator	YY05P00061S005	Radiator cap	1	Replace every 1000 hours	
Built-in battery for communication controller	YN22E00643S001	Battery	1	Replace every year	

#### Notice

- The built-in battery for communication controller needs to be replaced every year. For replacement, contact your KOBELCO authorized dealer.



## 4.8 TIGHTENING TORQUES FOR BOLTS & NUTS (SPECIFIC POSITIONS)

Follow the next table when tightening or retightening bolts or nuts in every part.

Check for any loose or missing bolts or nuts before daily operation and at periodical inspection. Retighten a loose bolts and nuts and supply new parts for missing ones as required.

Inspection and retightening are needed at first 50 hours for a new machine and after that every 250 hours. Except for the retightening positions indicated in the following table, retighten the bolts and nuts according to the tightening torque table in "TIGHTENING TORQUE FOR BOLTS & NUTS" in Chapter 4.

Size (M)	Width across Flats mm	Position of bolts/nuts	Tightening torque N·m (Without Lubrication)	Recommended thread locking agent
M5	—	Installing fuel tank level sensor	1.96±0.2 (1.45±0.15)	
M8	13	Installing condenser	11±1.1 (8.11±0.81)	
	13	Installing water sub-tank	10.7±1.1 (7.89±0.81)	
M10	17	Condenser mounting bracket	46.5±4.6 (34.3±3.39)	
	17	Installing swivel joint dust cover	14.7±1.5 (10.8±1.11)	Applying Loctite #572 or #577
	17	Installing swing bearing access panel cover	29.4±2.9 (21.7±2.14)	Applying Loctite #572 or #577
	17	Installing air cleaner	39±3.9 (28.8±2.88)	
	17	Installing engine oil filter	46.5±4.6 (34.3±3.39)	
	17	Installing hydraulic oil tank cover	46.5±4.6 (34.3±3.39)	
	17	Installing fuel tank bottom cover	46.5±4.6 (34.3±3.39)	
	17	Installing lower frame grease bath cover	10.8±0.98 (7.97±0.72)	
	17	Installing hand rail	46.5±4.6 (34.3±3.39)	Applying Loctite #262
M12	17	Installing floor plate rubber mount	46.5±4.6 (34.3±3.39)	
	19	Installing swivel joint	107.8±10.8 (79.5±7.97)	Applying Loctite #262
	19	Installing bracket for power take	64.7±6.4 (47.7±4.72)	Applying Loctite #262
	19	Installing hand rail	80±8 (59.0±5.90)	
	19	Installing cab	80±8 (59.0±5.90)	
	19	Installing travel motor cover	83.4±8.4 (61.5±6.20)	Applying Loctite #262
M16	19	Front idler idler adjuster connection	115±12 (84.8±8.85)	Applying Loctite #262
	24	Installing engine	191±19 (141±14.0)	Applying Loctite #271
	14	Installing main pump	235±24 (173±17.7)	Applying Loctite #262
	14	Installing power take coupling	220±10 (162±7.38)	
	24	Installing travel motor	279±29 (206±21.4)	Applying Loctite #262
	24	Floor plate rubber mount mounting nut	191±19 (141±14.0)	
	24	Installing sprocket	279±29 (206±21.4)	Applying Loctite #262
	24	Installing lower roller	279±28 (206±20.7)	Applying Loctite #262
	24	Installing shoe bolts	412±39 (304±28.8)	
24	Installing swing bearing (outer race)	256±25.6 (189±18.9)	Applying Loctite #262	

#### [4. INSPECTION AND MAINTENANCE]

Size (M)	Width across Flats mm	Position of bolts/nuts	Tightening torque N·m (Without Lubrication)	Recommended thread locking agent
M16	24	Installing swing bearing (inner race)	279±29 (206±21.4)	Applying Loctite #262
	24	Installing hand rail	191±19 (141±14.0)	
M20	30	Installing fuel tank	370±37 (273±27.3)	Applying Loctite #262
	30	Installing hydraulic oil tank	370±37 (273±27.3)	Applying Loctite #262
	30	Installing upper roller	539±54 (398±39.8)	Applying Loctite #262
	30	Installing swing reduction unit	539±54 (398±39.8)	Applying Loctite #262
M24	36	Installing cab	191±19 (141±14.0)	
M33	50	Installing counterweight	2.25±0.22kNm (1660 ±162)	Applying Loctite #262
5/8-18UNF	19	Installing idler adjuster grease nipple	58.8±9.6 (43.4±7.08)	

#### CAUTION

The counterweight mounting bolts may become loose when the counterweight is hit against some solid obstacles during swing operation etc.

Check that the mounting bolts are tightened to the specified torque using a torque wrench.

When loosened, tighten the bolt to the specified torque.

## 4.9 TIGHTENING TORQUES FOR BOLTS & NUTS

For tightening and retightening of bolts which are not specified in the table "TIGHTENING TORQUES FOR BOLTS & NUTS (SPECIFIC POSITIONS)", see the following table.

### METRIC COARSE THREAD (NOT PLATED)

Torque value Unit : N·m {lbf·ft}

Classification		4.8T		7T		10.9T	
		No lubrication	Oil lubrication	No lubrication	Oil lubrication	No lubrication	Oil lubrication
M6	P=1	4.4±0.5 {3.2±0.4}	3.7±0.4 {2.7±0.3}	9.6±1.0 {7.1±0.7}	8.1±0.8 {6.0±0.6}	17.4±1.8 {12.8±1.3}	14.7±1.5 {10.8±1.1}
M8	P=1.25	10.7±1.1 {7.9±0.8}	9.0±0.9 {6.6±0.7}	23.5±2.0 {17.3±1.5}	19.6±2.0 {14.5±1.5}	42.2±3.9 {31.1±2.9}	35.3±3.9 {26.0±2.9}
M10	P=1.5	21.6±2.0 {15.9±1.4}	17.9±1.8 {13.2±1.3}	46.1±4.9 {34.0±3.6}	39.2±3.9 {28.9±2.9}	83.4±8.8 {61.5±6.5}	70.6±6.9 {52.1±5.1}
M12	P=1.75	36.3±3.9 {26.8±2.9}	31.4±2.9 {23.2±2.1}	79.4±7.8 {58.6±5.8}	66.7±6.9 {49.2±5.1}	143±15 {105±11}	121±12 {89.2±8.9}
M14	P=2	57.9±5.9 {42.7±4.4}	49.0±4.9 {36.1±3.6}	126±13 {92.9±9.6}	106±10 {78.2±7.4}	226±20 {167±15}	191±19 {141±14}
M16	P=2	88.3±8.8 {65.1±6.5}	74.5±6.9 {55.0±5.1}	191±20 {141±15}	161±16 {119±12}	343±39 {253±29}	284±29 {209±21}
M18	P=2.5	122±12 {90.0±8.9}	103±10 {75.8±7.2}	265±29 {195±21}	226±20 {167±15}	481±49 {355±36}	402±39 {297±29}
M20	P=2.5	172±17 {127±13}	144±14 {106±10}	373±39 {275±29}	314±29 {232±21}	667±69 {492±51}	559±59 {412±44}
M22	P=2.5	226±20 {167±15}	192±20 {142±15}	500±49 {369±36}	422±39 {311±29}	902±88 {665±65}	755±78 {557±58}
M24	P=3	294±29 {217±21}	235±29 {173±21}	637±69 {470±51}	520±49 {383±36}	1160±118 {856±87}	941±98 {694±72}
M27	P=3	431±39 {318±29}	353±39 {260±29}	941±98 {694±72}	765±78 {564±58}	1700±167 {1250±123}	1370±137 {1010±101}
M30	P=3.5	588±59 {434±44}	490±49 {361±36}	1285±127 {948±94}	1079±108 {796±80}	2300±235 {1700±173}	1940±196 {1430±145}
M33	P=3.5	794±78 {586±58}	667±69 {492±51}	1726±177 {1270±131}	1451±147 {1070±108}	3110±314 {2290±232}	2610±265 {1930±195}
M36	P=4	1030±98 {760±72}	863±88 {637±65}	2226±226 {1640±167}	1863±186 {1370±137}	4010±402 {2960±297}	3360±333 {2480±246}

## [4. INSPECTION AND MAINTENANCE]

### METRIC FINE THREAD (NOT PLATED)

Torque value Unit : N•m {lbf•ft}

Classification		4.8T		7T		10.9T	
		No lubrication	Oil lubrication	No lubrication	Oil lubrication	No lubrication	Oil lubrication
M8	P=1.0	11.3±1.1 {8.3±0.8}	9.5±1.0 {7.0±0.7}	24.5±2.0 {18.1±1.5}	20.6±2.0 {15.2±1.5}	44.1±3.9 {32.5±2.9}	37.3±3.9 {27.5±2.9}
M10	P=1.25	22.6±2.0 {16.7±1.5}	18.7±1.9 {13.8±1.4}	48.1±4.9 {35.5±3.6}	41.2±3.9 {30.3±2.9}	87.3±8.8 {64.4±6.5}	73.5±6.9 {54.2±5.1}
M12	P=1.25	39.2±3.9 {28.9±2.9}	33.3±2.9 {24.6±2.1}	85.3±8.8 {62.9±6.5}	71.6±6.9 {52.8±5.1}	154±16 {114±12}	129±13 {95.2±9.6}
M16	P=1.5	92.2±8.8 {68.0±6.5}	77.5±7.8 {57.2±5.8}	196±20 {145±15}	169±17 {125±13}	363±39 {268±29}	304±29 {224±21}
M20	P=1.5	186±19 {137±14}	155±16 {114±12}	402±39 {297±29}	333±29 {246±21}	726±69 {535±51}	608±59 {448±44}
M24	P=2	314±29 {232±21}	265±29 {195±21}	686±69 {506±51}	569±59 {420±44}	1240±118 {915±87}	1030±98 {760±72}
M30	P=2	637±59 {470±44}	530±49 {391±36}	1390±137 {1030±101}	1157±118 {853±87}	2500±255 {1840±188}	2080±206 {1530±152}
M33	P=2	853±88 {629±65}	706±70 {521±52}	1860±186 {1370±137}	1550±155 {1140±114}	3350±334 {2470±246}	2790±275 {2060±203}
M36	P=3	1070±108 {789±80}	892±88 {658±65}	2330±226 {1720±167}	1940±196 {1430±145}	4200±422 {3100±311}	3500±353 {2580±260}

## 4.10 TIGHTENING TORQUES FOR JOINTS & HYDRAULIC HOSES

### IMPORTANT

These tightening torques are available in the case of tightening without lubricant.

#### ORS FITTING (O-RING SEAL TYPE)

Hose Mouth and Fitting Size	Wrench (mm)	Tightening torque N · m {lbt · ft}
1 to 14 UNS	30	137 ± 14 {101 ± 10}
	32	
1 to 3/16 to 12 UN	36	177 ± 18 {130 ± 13}
	41	206 ± 21 {152 ± 15}
1 to 7/16 to 12 UN	41	206 ± 21 {152 ± 15}
	46	

#### BYTE TYPE TUBE FITTING

Tube size O.D. x Thickness (mm)	Wrench (mm)	Tightening torque N · m {lbt · ft}
10 * 1.5	19	49 ± 9.8 {36 ± 7}
15 * 2.0	27	118 ± 12 {87 ± 9}
18 * 2.5	32	147 ± 15 {108 ± 18}
22 * 3.0	36	216 ± 22 {159 ± 16}
28 * 4.0	41	275 ± 27 {202 ± 20}
35 * 5.0	55	441 ± 44 {325 ± 33}

#### O-RING FITTING

Screw diameter (PF)	Wrench (mm)	Tightening torque N · m {lbt · ft}
1/8	14	17 ± 2 {12.5 ± 1.5}
1/4	19	36 ± 2 {27 ± 1.5}
3/8	22	74 ± 5 {54 ± 4}
1/2	27	108 ± 9.8 {80 ± 7}
3/4	36	162 ± 9.8 {119 ± 7}
1	41	255 ± 9.8 {188 ± 7}
1 to 1/4	50	392 ± 40 {289 ± 30}
1 to 1/2	55	485 ± 49 {358 ± 36}

## [4. INSPECTION AND MAINTENANCE]

### HYDRAULIC HOSE

Screw diameter (PF)	Wrench (mm)	Tightening torque N·m {lbt·ft}
1/8	17	15 ± 2.0 {11 ± 1.5}
1/4	19	29 ± 4.9 {22 ± 4}
3/8	22	49 ± 4.9 {36 ± 4}
1/2	27	78 ± 4.9 {58 ± 4}
3/4	36	118 ± 9.8 {87 ± 7}
1	41	137 ± 15 {101 ± 11}
1 to 1/4	50	167 ± 15 {123 ± 11}

### SPLIT FLANGE

Nominal Size	Tightening torque N·m {lbt·ft}			
	Working pressure 20.6 Mpa {210 kg/cm <sup>2</sup> }	Bolt size (M)	Working pressure 41.2 Mpa {420 kg/cm <sup>2</sup> }	Bolt size (M)
3/4	33.9 ± 5.6	10	39.5 ± 5.6	10
	{25 ± 4.1}		{29 ± 4.1}	
1	42.4 ± 5.6	10	62.2 ± 5.6	12
	{31 ± 4.1}		{46 ± 4.1}	
1 to 1/4	55.1 ± 7.1	10	93.3 ± 8.4	14
	{41 ± 5.2}		{69 ± 6.2}	
1 to 1/2	70.6 ± 8.4	12	169 ± 11	16
	{52 ± 6.2}		{125 ± 8.1}	
2	81.9 ± 8.4	12	282 ± 11	20
	{60 ± 6.2}		{208 ± 8.1}	

#### IMPORTANT

The tightening torques of the split flange are available in the case of tightening without lubricant.

## 4.11 INSPECTION AND MAINTENANCE CHART

The following charts show the recommended interval or the hour meter reading for each device for greasing, element replacement, and inspection and maintenance items.

Perform inspection and maintenance according to the calendar time or operation time shown by the hour meter, whichever comes first.

### Symbols in the Table

 Indicates a required periodic inspection or maintenance with the hour meter interval.

⊙ Indicates a first one time maintenance interval.

○ Indicates a inspection or maintenance interval.

### ENGINE

Item/Interval		Irregular	Start-Up Inspection	8H	50H	100H	250H	500H	1,000H	2,000H	5,000H	Grease (Replacement Part)	Procedure Description Section
Engine oil	Checking oil level		○									Engine oil	3.2.2
	Replacement					⊙ (First time)		○					4.17.1
Replacing oil filter						⊙ (First time)		○				Cartridge	4.17.1
Fuel pre-filter	Draining		○									Cartridge	3.2.4
	Replacement							○					4.17.2
Fuel filter	Replacement							○				Cartridge	4.17.3
Exhaust gas cleaning device	※Inspection								○				4.3.4
Checking air cleaner inlet			○										3.2.13
Air cleaner element	Inspection, cleaning						○ When the warning lamp is on (until 6 times)					Outer element (Inner element is not cleaned)	4.16.5
	Replacement								○ After 6 times of cleaning of outer element or after 1 year			Outer and inner elements	
Cleaning radiator coolant and cooling system	Checking water level		○										3.2.1
	Replacement, cleaning								○ (Or every 2 years)			LLC	4.19.1
Checking radiator hoses for cracking and damage							○						4.16.3
Cleaning radiator, oil cooler core, intercooler and filters							○						4.16.8
Fan belt and air conditioner belt	Inspection		○										3.2.6
	Adjustment					⊙ (First time)		○					4.16.1
Cleaning or replacing radiator cap / reserve tank cap	Cleaning						○						4.16.6
	Replacement								○				
Checking engine mounting bracket for tightening condition									○				4.18.3
Checking intake system rubber hose							○						4.16.2
Cleaning and checking filter of electromagnetic fuel pump								○					4.17.9

## [4. INSPECTION AND MAINTENANCE]

Item/Interval	Irregular	Start-Up	Every 1 Month or 100H	Every 3 Months or 250H	Every 6 Months or 500H	Every 12 Months or 1,000H	2,000H	5,000H	Grease (Replacement Part)	Procedure Description Section
		Inspection								
		8H	50H							
*Checking and adjusting valve clearance			⊙ (First time)			○				—
*Checking and adjusting compression pressure						○				—
*Checking intake and exhaust manifolds for tightening condition			⊙ (First time)			○				—
*Checking oil pan and other auxiliary devices for tightening condition			⊙ (First time)			○				—
*Checking each tightening part of turbo charger			⊙ (First time)			○				—
*Checking turbo charger rotor and impeller for rotation condition						○				—
*Checking play of turbo charger rotor						○				—
*Checking lubricating system of turbo charger for leakage		○				○				—
*Checking and cleaning starter brush and commutator						○				—
*Checking oil pan for mixing of water and fuel				○						—
*Checking fan mounting bolt for tightening condition				○						—
*Checking thermostat function						○				—
*Checking starter function						○				—
*Checking startability, exhaust color, and abnormal sound		○								—
*Checking heater plug and intake air heater (starting auxiliary device)					○					—
*Checking alternator function						○				—
*Checking pipe joints for tightening condition			⊙ (First time)			○				—
*Checking exhaust pipe and muffler for looseness of mounting part and damages			⊙ (First time)			○				—
*Checking and cleaning alternator brush (when brush is equipped)						○				—
Checking each part for oil and fuel leakage		○								3.1
Checking each part for water leakage		○								3.1
Checking electrical system		○								—

### Notice

Contact your KOBELCO authorized dealer for inspection and adjustment of the items marked with \*.



**FUEL SYSTEM**

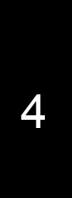
Item/Interval		Irregular	Start-Up Inspection 8H	50H	Every 1 Month or 100H	Every 3 Months or 250H	Every 6 Months or 500H	Every 12 Months or 1,000H	2,000H	5,000H	Grease (Replacement Part)	Procedure Description Section
Fuel tank	Checking oil level		○									3.2.3
	Draining water and sediment			○								4.14.2
	Cleaning cap and strainer						○					4.17.6
Bleeding air from fuel piping		○										4.12.6

**SCR SYSTEM**

Item/Interval		Irregular	Start-Up Inspection 8H	50H	Every 1 Month or 100H	Every 3 Months or 250H	Every 6 Months or 500H	Every 12 Months or 1,000H	2,000H	5,000H	Grease (Replacement Part)	Procedure Description Section
DEF/AdBlue tank	Checking fluid level		○									3.2.8
	Inspection					○						4.16.7
DEF/AdBlue piping	Inspection					○						4.16.7
DEF/AdBlue supply module	Inspection					○						4.16.7
*DEF/AdBlue supply module filter	Replacement									(3 years or 4500 H)		4.20.2
*DEF/AdBlue dosing module	Inspection					○						4.16.7
*SCR (insulation material)	Replacement									○ (4,500)	Gasket	4.20.2
*SCR system cooling water piping	Inspection					○						4.16.7
*Harness around SCR	Inspection					○						4.16.7

**HYDRAULIC SYSTEM**

Item/Interval		Irregular	Start-Up Inspection 8H	50H	Every 1 Month or 100H	Every 3 Months or 250H	Every 6 Months or 500H	Every 12 Months or 1,000H	2,000H	5,000H	Grease (Replacement Part)	Procedure Description Section
Hydraulic oil tank	Hydraulic oil	Checking oil level	○									3.2.5
		Replacement						○ (Breaker)		○	Hydraulic oil	4.20.1
	Suction strainer	Cleaning							○		Strainer	4.19.4
	Replacing return filter			◎ (First time)		○ (Breaker)		○			Element	4.18.1
	Replacing air breather element							○			Element	4.18.2
Checking hydraulic components, pipes and hoses for oil leakage and damage			○									3.1
Cleaning pilot line filter									○			4.19.7



## [4. INSPECTION AND MAINTENANCE]

### UPPER FRAME

Item/Interval		Irregular	Start-Up Inspection	50H	Every 1 Month or	Every 3 Months or	Every 6 Months or	Every 12 Months or	2,000H	5,000H	Grease (Replacement Part)	Procedure Description Section
			8H		100H	250H	500H	1,000H				
Swing reduction unit oil	Checking oil level				○ (120H)						Gear oil SAE #90 GL-4	4.15.1
	Replacement						◎ (First time)		○			
Greasing to swing bearing											EPG lithium added extreme-pressure grease	4.17.4
Checking grease of swing grease bath									○		EPG lithium added extreme-pressure grease	4.19.6
Swing brake function			○									—
Greasing to control lever push rod and universal joint part											EPG lithium added extreme-pressure grease	4.17.7
Installing swing bearing Checking bolt for looseness												4.17.5
Installing counterweight Checking bolt for looseness				◎ (First time)		○						4.8
Greasing swing reduction unit									○			4.19.5
Checking body structure			○									3.1

### LOWER FRAME

Item/Interval		Irregular	Start-Up Inspection	50H	Every 1 Month or	Every 3 Months or	Every 6 Months or	Every 12 Months or	2,000H	5,000H	Grease (Replacement Part)	Procedure Description Section
			8H		100H	250H	500H	1,000H				
Travel reduction unit oil	Checking oil level				○ (120H)						Gear oil SAE #90 GL-4	4.15.2
	Replacement						◎ (First time)		○			
Adjusting tension of crawler				○								4.14.3
Checking upper roller and lower roller for oil leakage			○									3.1
Checking idler and travel reduction unit for oil leakage			○									3.1
Checking sprocket, idler, and roller for wear			○									3.1

**ATTACHMENT**

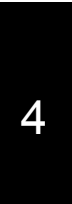
Item/Interval	Irregular	Start-Up Inspection	50H	Every 1 Month or 100H	Every 3 Months or 250H	Every 6 Months or 500H	Every 12 Months or 1,000H	2,000H	5,000H	Grease (Replacement Part)	Procedure Description Section
		8H									
Greasing attachment (around bucket)		○ (Until 50 H)			○					EPG lithium added extreme-pressure grease	4.13.1
Greasing attachment		○ (Until 50 H)			○ (250 H is only for new machine)	○					
Replacing bucket	○										4.12.3
Replacing tooth and side cutter	○										4.12.4
Checking attachment structure		○									3.1
Greasing attachment (installation part of boom cylinder rod pin)	○										4.12.9

**ELECTRICITY**

Item/Interval	Irregular	Start-Up Inspection	50H	Every 1 Month or 100H	Every 3 Months or 250H	Every 6 Months or 500H	Every 12 Months or 1,000H	2,000H	5,000H	Grease (Replacement Part)	Procedure Description Section
		8H									
Battery	Checking liquid level		○								4.14.1
	Measuring specific gravity		○								4.14.1
	Cleaning and grease application		○								4.14.1
	Measuring voltage						○				4.18.4
Electrical wiring		○									3.1
Check instruments, switches, and light warning devices for performance condition		○									3.2.11 3.2.12

**OTHER DEVICES**

Item/Interval	Irregular	Start-Up Inspection	50H	Every 1 Month or 100H	Every 3 Months or 250H	Every 6 Months or 500H	Every 12 Months or 1,000H	2,000H	5,000H	Grease (Replacement Part)	Procedure Description Section	
		8H										
Air conditioner	Checking refrigerant volume					○					4.17.8	
	Checking and cleaning condenser				○						4.16.8	
	Filter	Cleaning				○						4.16.4
		Replacement		After about 10 times of cleaning								
Checking wiper blades	○										4.12.1	
Checking washer fluid	○										4.12.2	
Checking external appearance of machine for deformation and damages		○									3.1	
Checking bolts and nuts for looseness and coming off		○									3.1	
Seatbelt	Inspection	○									2.11	
	Replacement							○ (3 years)				

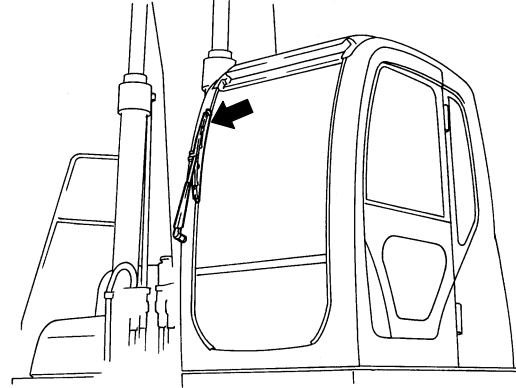


## 4.12 MAINTENANCE WHEN REQUIRED

Thoroughly read and understand "SAFETY PRECAUTIONS" of this manual before operating, inspecting or maintaining the machine.

### 4.12.1 CHECKING AND REPLACING WIPER BLADES

- Check the wiper blades and replace them if there is wear or damage.

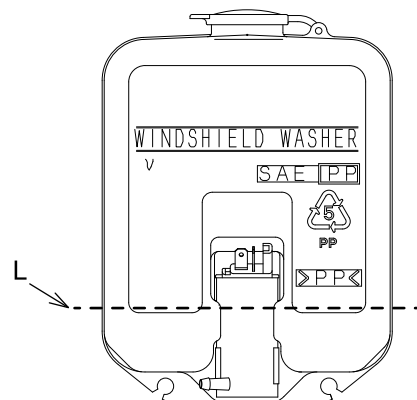
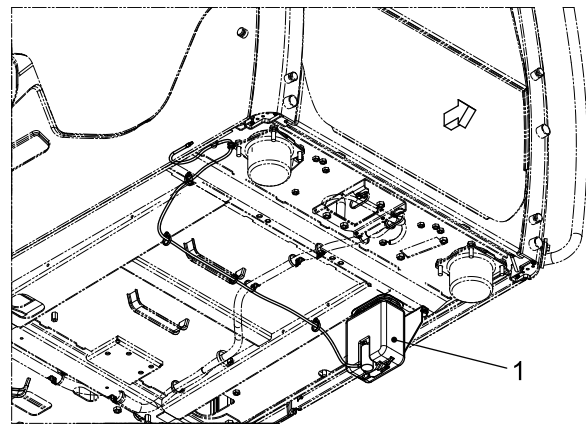


### 4.12.2 WASHER FLUID INSPECTION

**Notice**

If the washer is used when the washer tank is empty, the motor attached to the washer tank may be damaged.

1. Remove the floor mat.
2. Inspect the fluid level of washer tank (1).
3. When the washer fluid level becomes lower than (L), remove the cap and supply the washer fluid for automobiles.
4. Put the floor mat back to its original position.



### 4.12.3 BLEEDING AIR FROM FUEL PIPING

After replacing the element of fuel filter or in case of running out of fuel, air enters the fuel piping and the engine cannot be started.

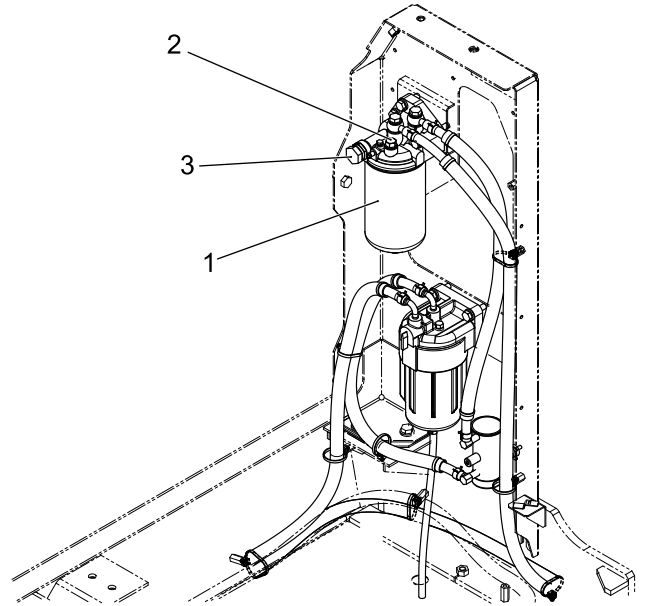
Bleed the air according to the following procedure:



#### BLEEDING AIR FROM FUEL PIPING

- Wipe off spilled fuel to prevent a fire.
- Make sure that there is no fuel leakage after performing work.

1. Turn the starter switch to "ON" to activate the fuel electromagnetic pump.
2. Place a container for fuel under fuel filter (1).
3. Clean the area around air bleeder plug (2) and loosen the air bleeder plug.
4. Push priming pump (3) repeatedly.  
When fuel without bubbles comes out of the air bleeder plug, tighten the air bleeder plug.
5. When fuel without bubbles comes out of the air bleeder plug, tighten the air bleeder plug.
6. After air bleeding is completed, wipe off any leaked fuel.
7. After replacing the fuel filter, before starting the engine, wait for 10 minutes with the starter switch kept in "ON" position to remove contaminant foreign materials.
8. Run the engine and check the parts for fuel leakage.



#### 4.12.4 CLEANING CAB SKYLIGHT

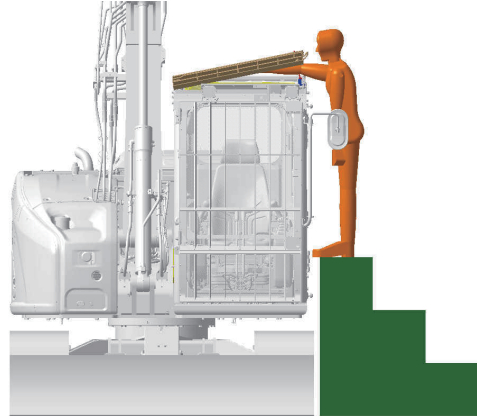
---

**CAUTION**

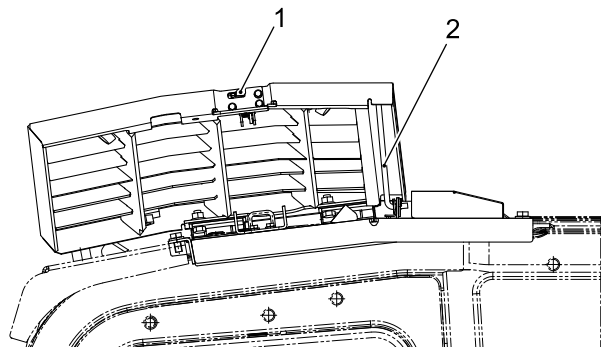
- When cleaning the cab skylight, pull up the control lock lever to the "LOCKED position" and stop the engine.

Before starting cleaning, place the work platform at the left side of the machine.

1. Release lock (1) of the cab guard.



2. Lift up the cab guard and fix it with support stay (2).



**CAUTION**

Securely fix the cab guard with the support stay in order to avoid your hand from being caught, resulting in injuries.

---

3. Clean the cab skylight.
4. After cleaning the cab skylight, release the support stay, close the cab guard, and then lock it.

### 4.12.5 RELEASING INTERNAL PRESSURE IN HYDRAULIC SYSTEM

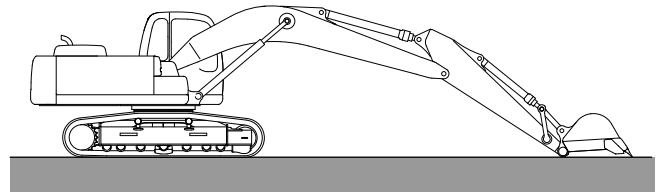
Before replacing the front attachment or the hydraulic piping, release the internal pressure of the hydraulic system. Release the internal pressure of the hydraulic system following the next steps.

**WARNING**

#### RELEASING INTERNAL PRESSURE IN HYDRAULIC SYSTEM

Immediately after operation, there is a hazard of getting burn by heated parts. Wait until the temperatures decrease before starting works.

1. Move the machine to a level and firm place.
2. Retract the arm cylinder and bucket cylinder, and place the bucket on the ground.
3. Start the engine.



4. Release the internal pressure referring to "PRESSURE RELEASE" in Paragraph "SETTING MENU SCREEN" in Chapter 2.  
When internal pressure releasing is started, "DRAINING HYD. PRESS." is displayed on the monitor and the engine speed is reduced to a low speed.
5. The buzzer sounds intermittently.  
(To stop the buzzer, push the buzzer stop switch).
6. In this condition, move the control levers of the attachment/equipment to release the pressure. Be cautious that the attachment/equipment may move due to its own weight.
7. Set the starter key to "OFF" to stop the engine and to finish releasing the internal pressure.

PR

**CAUTION**

After turning the key OFF and finishing the internal pressure releasing, wait 5 minutes or more before turning the key ON again.

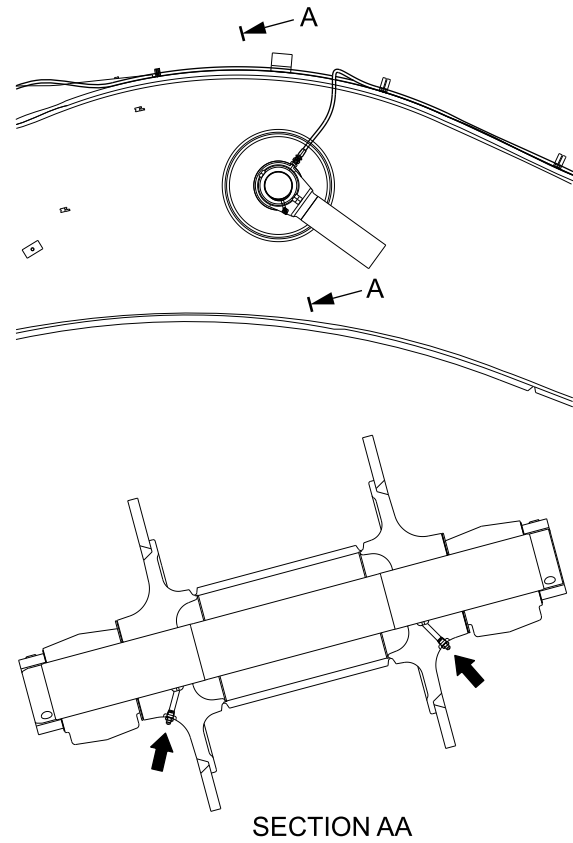
If the key is turned ON again soon after the key OFF, it may cause the internal pressure releasing to finish improperly, resulting in continued releasing operation.

- When releasing the internal pressure is failed, "FAIL DRAIN HYD. PRESS" is displayed on the monitor, and the buzzer sounds continuously. In that case, turn the starter key "OFF", wait 5 minutes or more, and then perform procedures 4. to 7. again.

PR

### 4.12.6 GREASING ATTACHMENT/EQUIPMENT

When greasing the boom side bosses located at the boom cylinder rod installation part, grease two grease nipples shown in the figure.



---

**Notice**

Some machine specifications do not have the grease nipples for greasing.

---



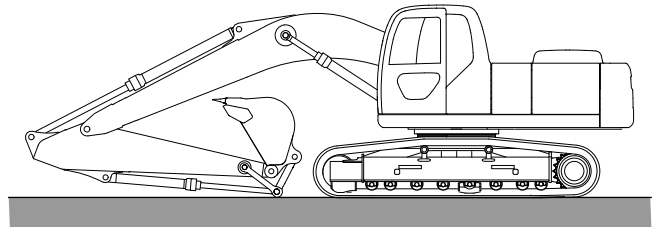
## 4.13 8 HOUR (DAILY) INSPECTION & MAINTENANCE PROCEDURES

Thoroughly read and understand "SAFETY PRECAUTIONS" of this manual before performing the inspection and maintenance.

See "EVERYDAY CHECK-UP", "CHECK BEFORE STARTING ENGINE" and "CHECK AFTER STARTING ENGINE" to perform a daily pre-operation inspection and maintenance (before operation and immediately after starting operation).

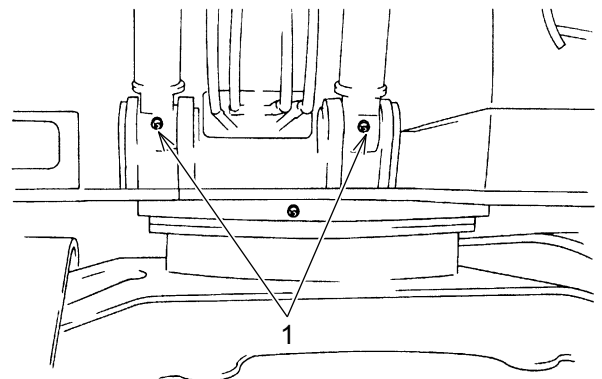
### 4.13.1 GREASING ATTACHMENT

Before applying grease, set the machine in the grease application position as shown in the figure, remove all grease nipples, and then apply grease until the grease comes out through the gap between the pin and the hole. The grease gun is located inside the cover on the right front of the machine.



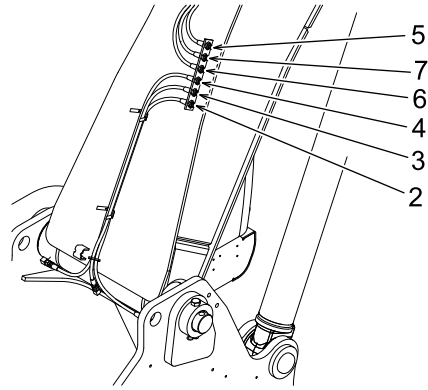
#### Notice

- Grease greasing points (1) to (14) every 8 hours during the first 50 hours of operation by a new machine. Also, them when 250 hours and 500 hours of operation by the new machine has been reached respectively. After that, grease them every 500 hours or every 6 months, whichever comes first. Also, regarding the pins around the bucket, grease them every 250 hours.
  - For digging work in the water, grease the submerged parts before and after the work every day.
  - After heavy duty work with a special attachment such as a nibbler (crusher) or breaker, grease the machine every day.
  - Grease the machine before the work if it has not been used for one month or longer.
- 
- Grease grease nipples (1) on the right and left boom cylinder heads.

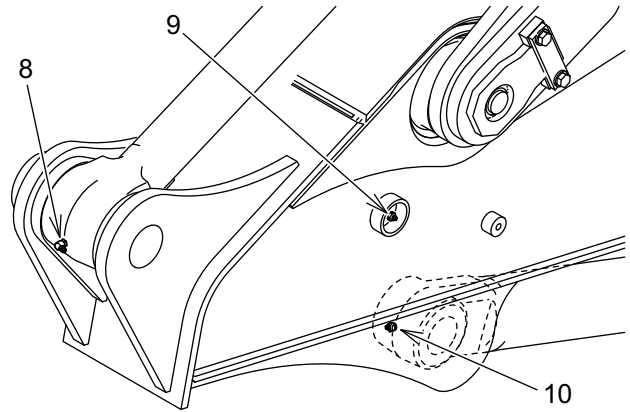


## [4. INSPECTION AND MAINTENANCE]

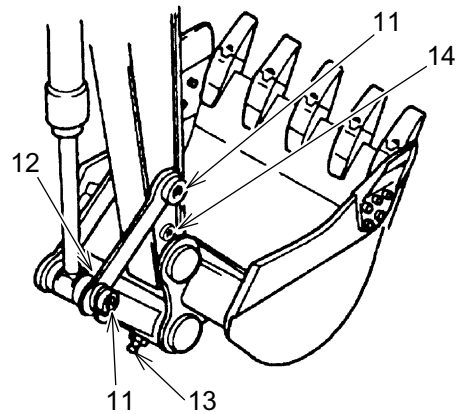
- Among six grease nipples near the boom foot, grease the boom foot pin from (2), (3), and (4), the boom cylinder rod from (5) and (6), and the arm cylinder head from (7).



- Grease grease nipple (8) on the arm cylinder rod, grease nipple (9) in the connecting part between the boom and the arm, and grease nipple (10) on the bucket cylinder head.



- Grease grease nipple (11) on the link pin, grease nipple (12) on the bucket cylinder rod, three grease nipples (13) on the bucket link, and grease nipple (14) on the left side of the arm end.



## 4.14 50 HOUR INSPECTION & MAINTENANCE PROCEDURES

Thoroughly read and understand "SAFETY PRECAUTIONS" of this manual before performing the inspection and maintenance.

Perform this section together with "8 HOUR (DAILY) INSPECTION & MAINTENANCE PROCEDURES" in Chapter 4.

### 4.14.1 INSPECTING AND MAINTAINING BATTERY



#### WARNING

#### INSPECTING AND MAINTAINING BATTERY

- Wear protective glasses, long-sleeve shirt and gloves when handling the batteries.
- Do not bring a fire near the battery because the combustible hydrogen gas generated by the battery can cause explosion.
- If the dilute sulfuric acid in the battery splashes onto your skin or into your eyes, it will cause burns or blindness. At such case, immediately wash the skin or eyes with sufficient clean water, and ask a special doctor to treat it as soon as possible.
- Before performing inspection and maintenance on the batteries, be sure to stop the engine.
- Confirm that the battery power-off switch is set to the OFF position to cut off the current.
- When removing the battery terminal, be sure to remove the ground side (negative terminal) first and conversely, when attaching the battery terminal, attach the ground side last.
- Do not put tools and hardware on the protective cover on the battery upper section. It may cause a short circuit resulting in a fire or explosion.



#### CAUTION

Before turning the battery power-off switch to the "O (OFF)" position or removing the battery terminals, turn the starter switch to the OFF position, wait 5 minute or more.

If the battery power is turned off immediately after stopping the engine, it may cause damage to the exhaust gas cleaning device.

#### CHECKING BATTERY ELECTROLYTE LEVEL

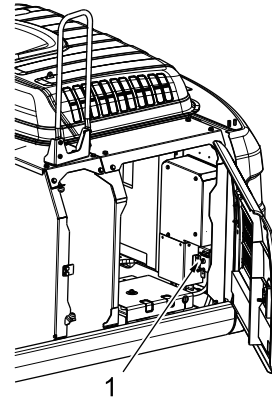
#### Notice

- Clean the battery terminals, and apply grease or commercial anti-rust lubricant spray.
- Do not dispose of the batteries by yourself but always ask a professional service company to dispose of it.
- If the batteries became old, do not attempt to use the old battery and a new battery together. The service life of the new battery may be shortened. When replacing the batteries, replace both at the same time.

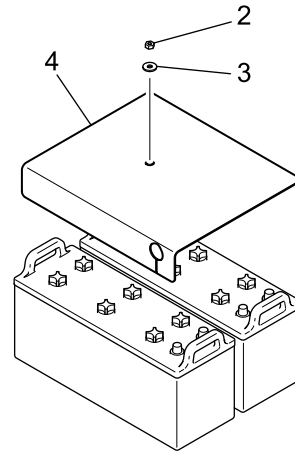
1. Use the starter key to open the side door at the left side of the machine, and hold it with the stay.

## [4. INSPECTION AND MAINTENANCE]

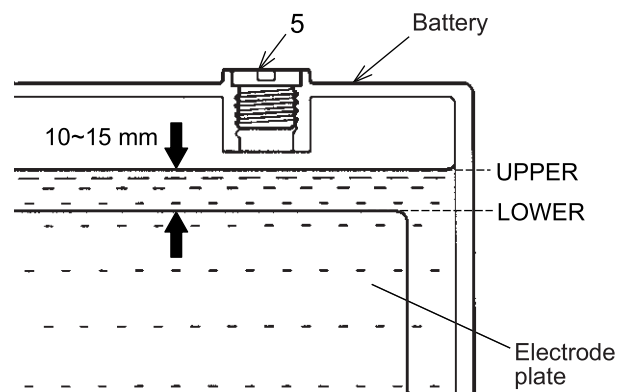
2. Turn the battery power-off switch OFF using key (1).



3. Remove nut (2) and washer (3) on the battery protection cover, and remove protection cover (4).



4. Remove cap (5), and if the level is below the specified level (10 to 15 mm above the electrode plate), supply distilled water to the specified level.
5. Clean the vent hole of the battery cap, and tighten cap (5) firmly.
6. Put battery cover (4) back to the original position.
7. Install battery cover (4) with nut (2) and washer (3).
8. Remove the support stay, and close the side door.



## SPECIFIC GRAVITY OF BATTERY ELECTROLYTE

**CAUTION**

## PRECAUTIONS IN COLD CLIMATES

- Be careful of retaining the temperature of the batteries. If the temperature is too low, they may freeze, and their quantities decrease significantly.
- Charge the batteries as soon as possible.

**Notice**

Measure the specific gravity when the liquid temperature becomes almost equivalent to the ambient temperature. The specific gravity of battery electrolyte changes according to the liquid temperature. If the specific gravity is at the lower limit or below (small value), charging is necessary.

Measure the specific gravity of the battery electrolyte by using a hydrometer and check the charging condition of the battery.

**Specific Gravity of Battery Electrolyte**

Charging rate	Battery electrolyte temperature		
	-20 degrees C (-4 degrees F)	0 degrees C (32 degrees F)	20 degrees C (68 degrees F)
100 %	1.31	1.29	1.28
90 %	1.29	1.28	1.26
80 %	1.28	1.26	1.25
75 %	1.27	1.25	1.24

4

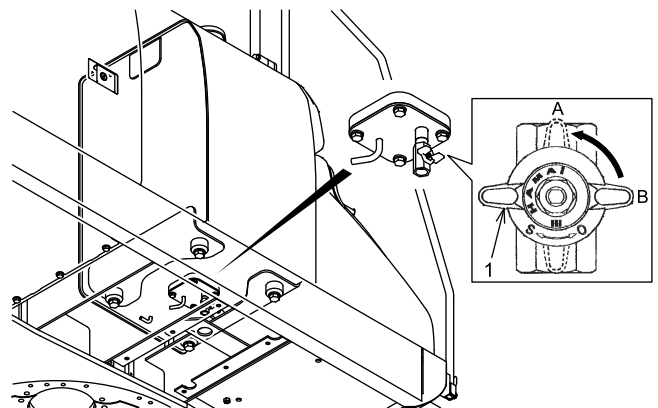
## 4.14.2 DRAINING WATER AND SEDIMENT IN FUEL TANK

**WARNING**

## HANDLING OF FUEL

- Wipe off spilled fuel completely to prevent a fire.
- Make sure that there is no fuel leakage after performing work.

1. Move the machine to a level and firm place.
2. Swing the upper structure a little bit to a range in which drain cock (1) under the fuel tank can be released, and put the bucket on the ground.
3. Stop the engine and move the control lock lever to the "LOCKED" position.
4. Place a container for drain water and sediment under drain cock (1).
5. Set drain cock (1) under the fuel tank to "Open" position (A) and drain water and sediment deposited on the bottom.  
In this time, be careful not to be splashed by the flushed fuel.



#### [4. INSPECTION AND MAINTENANCE]

---

6. Set drain cock (1) to "Close" position (B) when clean fuel comes out.

### 4.14.3 ADJUSTING CRAWLER TENSION

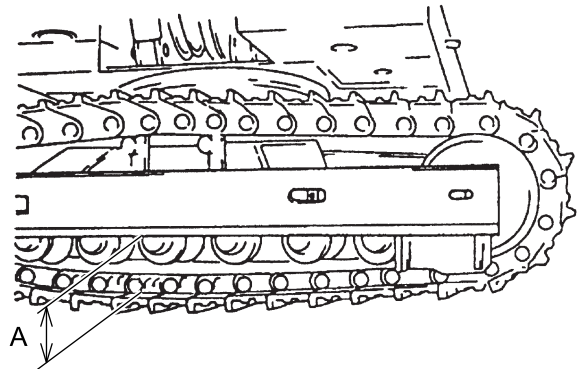
#### Notice

- Before inspecting and greasing the crawler, remove soil adhered to the crawler tracks completely by washing them.
- Crawler adjustment is necessary depending on the work condition at the working site. At a working site covered with many gravel and cobbles, loosen the crawler tension slightly, and on a firm ground, increase the tension slightly.

#### CHECKING CRAWLER TENSION

- Measure the upper part of the shoe and the lower part of the track frame, while raising one of the crawlers up, for which tension is to be measured. In this case, hold the raised machine with a stand securely.

A proper tension: 270 to 300 mm (10.6 to 11.8 inch)



#### CRAWLER TENSION ADJUSTMENT PROCEDURES

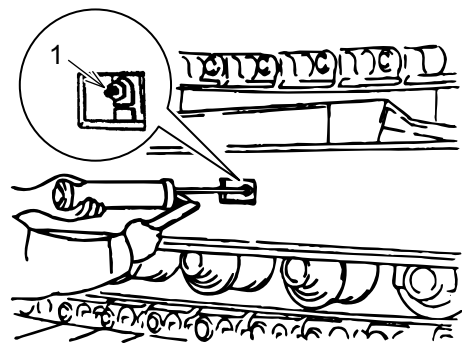


#### ABOUT CRAWLER FAILURE

When a crawler cannot be adjusted, the crawler has a failure.

A strong force is applied to the spring of track spring. Grease in the cylinder is under high pressure. If the travel system is adjusted or disassembled in a wrong way, it is very dangerous and could cause severe personal injury.

1. Crawler tension is adjusted by applying grease to grease nipple (1) of the idler adjuster of lower frame with a grease gun.
2. In order to make the both tension of the left and right crawlers equal each other, travel the machine forward and backward to even out the pressure.
3. Check the amount of slack of the crawlers once again and readjust them as necessary.



CRAWLER LOOSENING PROCEDURES

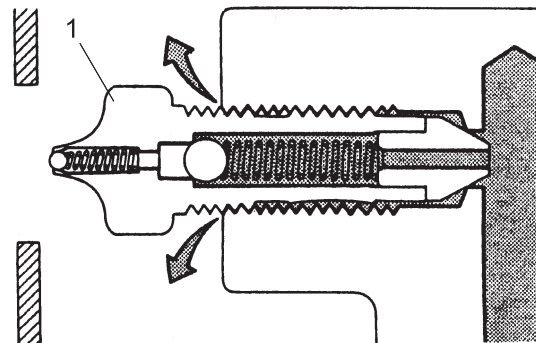
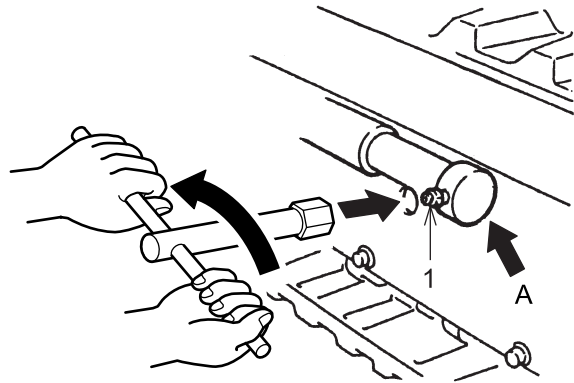


ABOUT HANDLING OF GREASE CYLINDER

Grease cylinder is under high pressure. It is dangerous to loosen the grease nipple rapidly because high pressure grease will spout and may cause severe personal injury. Loosen the grease nipple gradually with your face kept away from the area around the grease nipple.

Do not loosen the grease nipple more than one turn because it can pop out due to the internal high pressure grease.

1. Place the machine on a level and firm place.
2. Loosen grease nipple (1) of the grease cylinder maximum one turn slowly to drain the grease. When the grease is not drained well, raise the crawler to be loosened and rotate the crawler slightly.
3. When the tension of crawler is adjusted properly, tighten grease nipple (1).  
For the tightening torque, see "TIGHTENING TORQUES FOR BOLTS & NUTS (SPECIFIC POSITIONS)" in Chapter 4.



Details of A Section (Grease Discharge)



## 4.15 120 HOUR INSPECTION & MAINTENANCE PROCEDURES

Thoroughly read and understand "SAFETY PRECAUTIONS" of this manual before performing the inspection and maintenance.

Perform this section together with "EVERYDAY CHECK-UP and 50 HOUR INSPECTION & MAINTENANCE PROCEDURES".

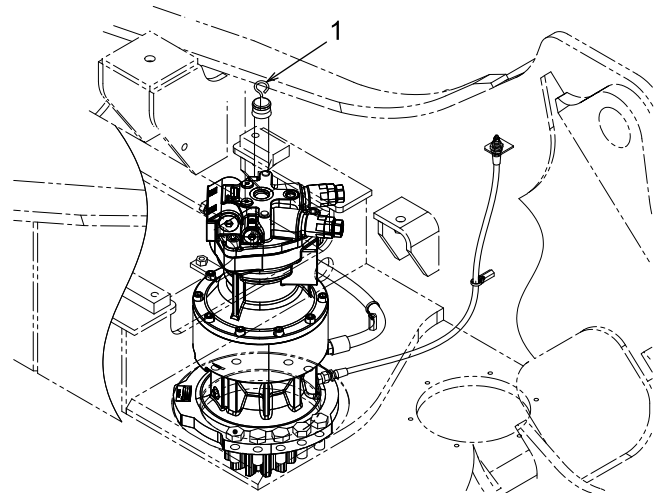
### 4.15.1 CHECKING ENGINE OIL LEVEL OF SWING REDUCTION UNIT



#### WARNING ABOUT OIL TEMPERATURE IMMEDIATELY AFTER OPERATION

Immediately after operation, the oil is hot and it may cause burns. Start working after the temperature goes down.

1. Move the machine to a level and firm place.
2. Put the bucket on the ground.
3. Stop the engine and move the pilot control shut-off lever to the "LOCKED" position.
4. Use level gauge (1) to check the level of gear oil.  
When the level is within the specified range of the scale of level gauge (1), it is proper.
5. If the gear oil level is low, remove level gauge (1) and refill the specified gear oil from the filler port.  
For the specified gear oil, see "LUBRICANT, FUEL & COOLANT SPECIFICATIONS" in Chapter 4.
6. Attach level gauge (1).



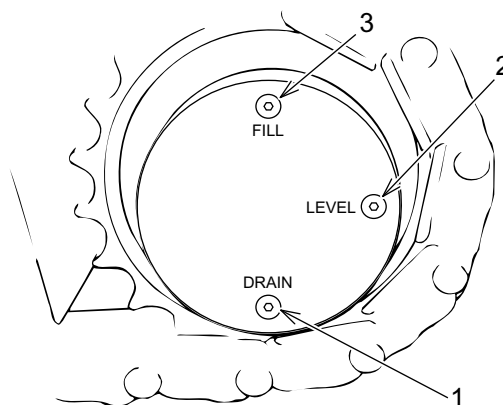
## 4.15.2 CHECKING OIL LEVEL OF TRAVEL REDUCTION UNIT



### ABOUT CHECKING OIL LEVEL

- Pressure may be generated inside the traveling devices. Slowly loosen the plug to release the internal pressure and then remove the plug. When the plug is loosened abruptly, the plug and oil may pop out and it is dangerous. Never position your body or face in front of the plug.
- Immediately after operation, the oil is hot and it may cause burns. Start working after the temperature goes down.

1. Move the machine to a level and firm place.
2. Stop the machine at a position in which drain plug (1) is positioned at the lower side and lower the bucket to the ground.
3. Stop the engine and move the pilot control shut-off lever to the "LOCKED" position.
4. Slowly loosen filler plug (3) and release the internal pressure.
5. Remove level plug (2) and check the level and contamination of the gear oil.  
If the oil level is up to the neck of the level plug, it is proper.
6. If the gear oil level is low, remove level plug (2) and fill plug (3) and refill the specified gear oil.  
For specified gear oil, see "LUBRICANT, FUEL & COOLANT SPECIFICATIONS" in Chapter 4.
7. Clean level plug (2) and fill plug (3) with light oil and install them.
8. Check the other travel reduction unit in the same procedure.



## 4.16 250 HOUR (3-MONTH) INSPECTION & MAINTENANCE PROCEDURES

Thoroughly read and understand "SAFETY PRECAUTIONS" of this manual before performing the inspection and maintenance.

Perform this section together with "EVERYDAY CHECK-UP, and 50, and 120 HOUR INSPECTION & MAINTENANCE PROCEDURES".

### 4.16.1 ADJUSTING FAN BELT AND AIR CONDITIONING COMPRESSOR BELT

#### CHECKING FAN BELT AND AIR CONDITIONING COMPRESSOR BELT



#### INSPECTING AND MAINTAINING THE BELT

Be sure to stop the engine before inspection and maintenance of the engine.

Inspecting and maintaining the running engine may cause severe injury by being caught in the rotating parts, such as the fan and the belt.



Replace the belt with a new one if cracking or breakage is found on the belt by the inspection, slip occurs excessively, or the belt cannot be adjusted to within the adjustment range. Keep the belt away from oils. The service life may be shortened if it slips by oil.

#### Notice

- When the belt is replaced by a new one, run engine at idle for 3 to 5 minutes and recheck and or adjust tension as necessary.
- After running the engine for about 2 hours, a new belt obtains a complete initial elongation.
- When replacing a set of two belts, be sure to replace both two with new ones.

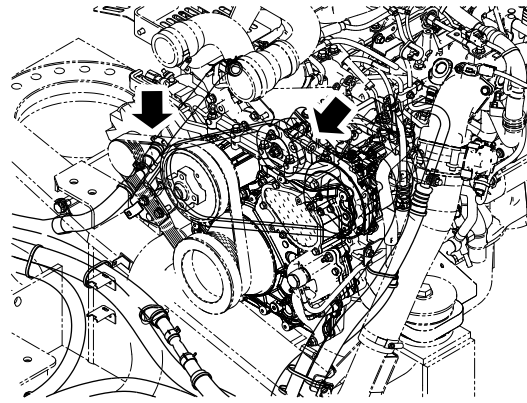
The engine of this machine is equipped with the alternator, the fan, and air conditioning compressor belts. Check the belts for wear and damage, and also for tension, and adjust them properly in order to maintain the maximum engine performance and the service life.

#### Notice

For adjustment procedures for each belt, see "ADJUSTING FAN BELT AND AIR CONDITIONING COMPRESSOR BELT" in Chapter 4.

## [4. INSPECTION AND MAINTENANCE]

- To check the belt tension, press on the center of the belt with your thumb. If the deflection falls within the range shown in the following table, it is normal.



Belt	New Belt Tension mm (inch)	At Inspection mm (inch)	Pushing Force N (lbf)
Fan alternator	4.2 to 5 (0.17 to 0.20)	6.6 to 7.4 (0.26 to 0.29)	98 (22)
Air conditioning compressor belt	2 (0.08)	2 (0.08)	<ul style="list-style-type: none"> <li>• 38 to 41 (8.5 to 9.2) *New Belt Tension</li> <li>• 12 to 14 (2.7 to 3.1) *At Inspection</li> </ul>

## ADJUSTING ALTERNATOR AND FAN BELT

**WARNING** INSPECTING AND MAINTAINING THE BELT

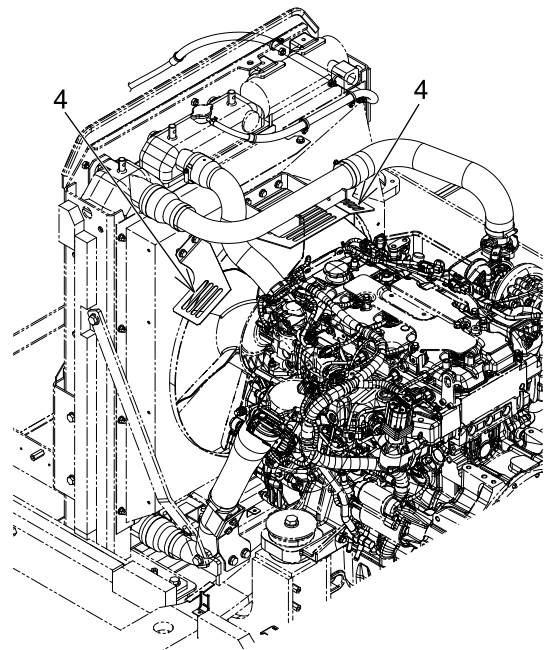
Be sure to stop the engine before inspection and maintenance of the engine.

Inspecting and maintaining the running engine may cause severe injury by being caught in the rotating parts, such as the fan and the belt.

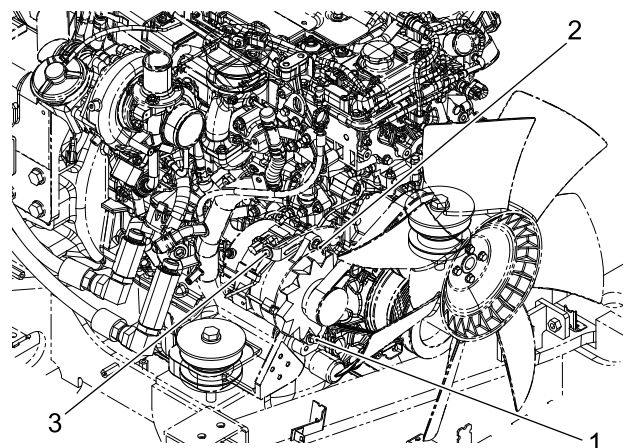
**Notice**

An improperly installed belt may not only decrease the performance of alternator but also damage the belt and the alternator.

1. Open the engine hood with the starter key and hold it with the stay.
2. Remove the mounting bolts of fan guards (4) and remove fan guards (4).



3. Loosen mounting bolt (1) and adjusting nut (2) slightly to adjust the tension of belt.
4. Loosen adjusting bolt (3), adjust the alternator and fan belt to the specified tension, and tighten mounting bolt (1) and adjusting nut (2).  
Tightening torque  
Mounting bolt (1): 44 to 58N·m(32 to 43lbf·ft)  
Adjusting nut (2): 20 to 30N·m(15 to 22lbf·ft)
5. After adjustment, run the engine at low idle for about 5 minutes.
6. Stop the engine and check the fan belt tension.
7. Attach the fan guard (4).
8. Remove the support stay and close the engine hood.



## [4. INSPECTION AND MAINTENANCE]

---

### ADJUSTING TENSION OF AIR CONDITIONING COMPRESSOR BELT

---



#### WARNING

#### INSPECTING AND MAINTAINING THE BELT

Be sure to stop the engine before inspection and maintenance of the engine.

Inspecting and maintaining the running engine may cause severe injury by being caught in the rotating parts, such as the fan and the belt.

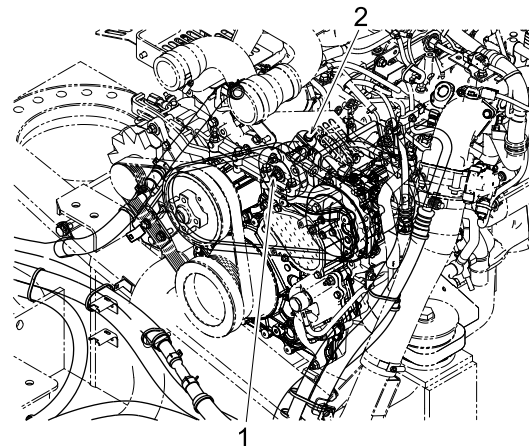
---

#### Notice

An improperly installed belt may not only decrease the performance of compressor but also damage the belt and the compressor.

---

1. Open the engine hood with the starter key and hold it with the stay.
2. Loosen nut (1) of the idle pulley slightly, turn adjusting bolt (2) to adjust the belt tension to the specified value, and tighten nut (1).  
Tightening torque  
Nut (1):  $46.5 \pm 4.6 \text{ N} \cdot \text{m}$  ( $34.3 \pm 3.4 \text{ lbf} \cdot \text{ft}$ )
3. After adjustment, run the engine at low idle for about 5 minutes and then check the belt tension again.
4. Remove the support stay and close the engine hood.



## 4.16.2 CHECKING INTAKE SYSTEM RUBBER HOSE

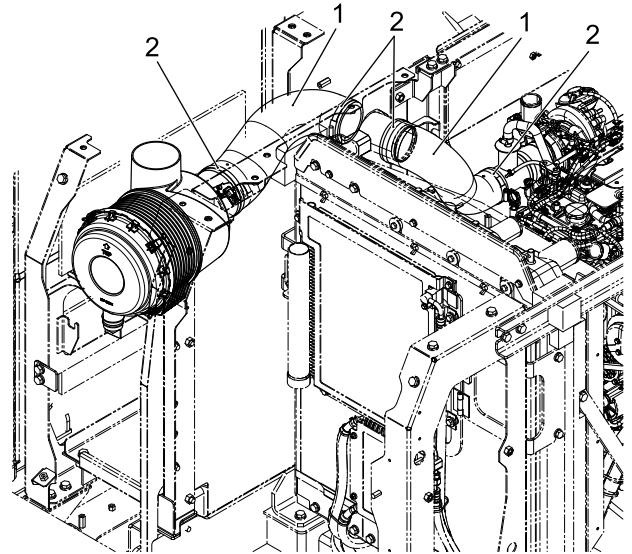


## ABOUT HANDLING OF RUBBER HOSE

- Do not touch the hot parts. Contact with hot parts during operation or immediately after stopping operation may cause burns.
- When replacing the rubber hoses, cover the inlet with a clean cloth to prevent dust from entering it.

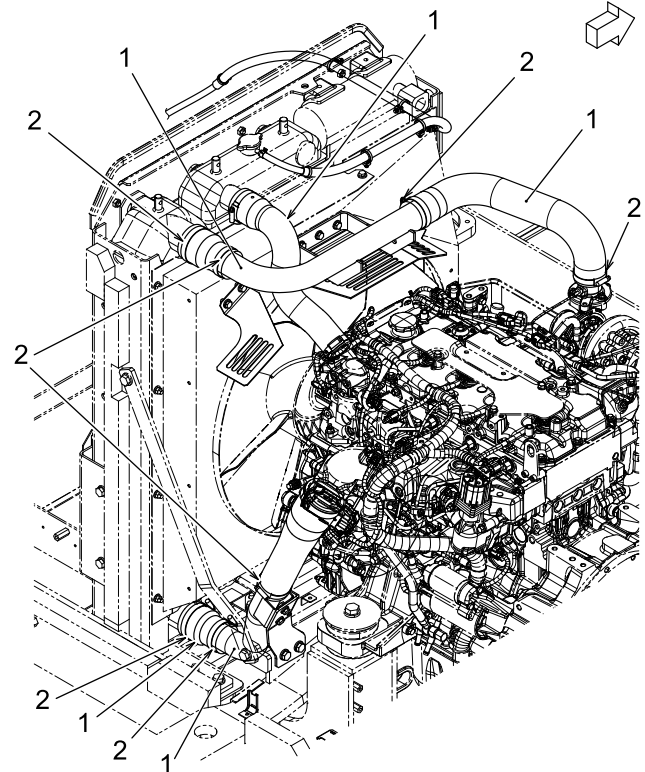
## CHECKING RUBBER SUCTION HOSE FOR AIR CLEANER

1. Check that rubber hose (1) is not damaged or deteriorated and band (2) is not loose.
2. Rubber hose (1) which is damaged or deteriorated should be replaced with a new one together with band (2).



## CHECKING RUBBER HOSE OF INTERCOOLER

1. Check that rubber hose (1) is not damaged or deteriorated and band (2) is not loose.
2. Rubber hose (1) which is damaged or deteriorated should be replaced with a new one together with band (2).



### 4.16.3 CHECKING RADIATOR HOSES

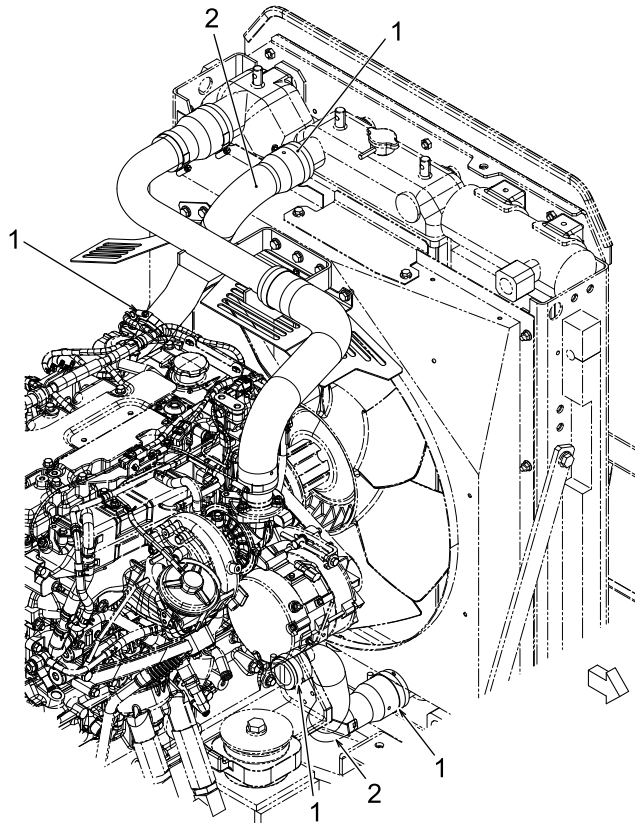


#### **WARNING** PAY ATTENTION TO DAMAGES OF RADIATOR HOSE

If you find cracks, permanent set, and water leakage on the hoses, replace the hoses immediately. Serious damages such as engine overheat can be prevented.

#### INSPECTING RADIATOR HOSES

1. Use the starter key to open the engine hood, and hold it with the stay.
2. Check each hose for water leakage due to looseness of clamp (1) or cracking or permanent set of hose (2).
3. Tighten loosened clamp (1).  
Replace hose (2) having cracks or permanent set.





## REPLACING RADIATOR HOSES

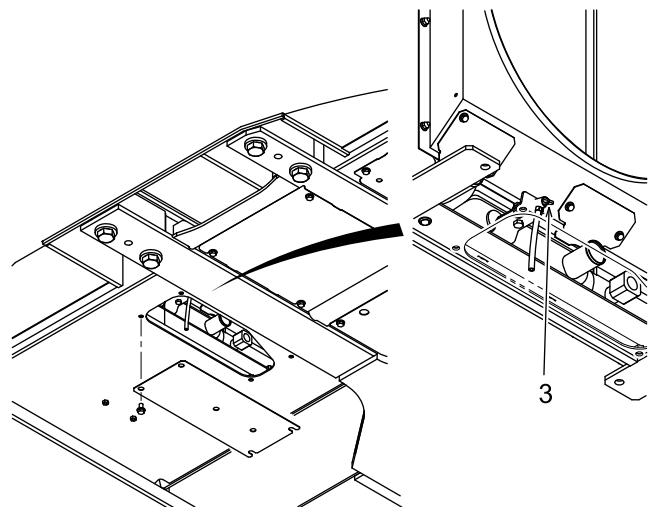
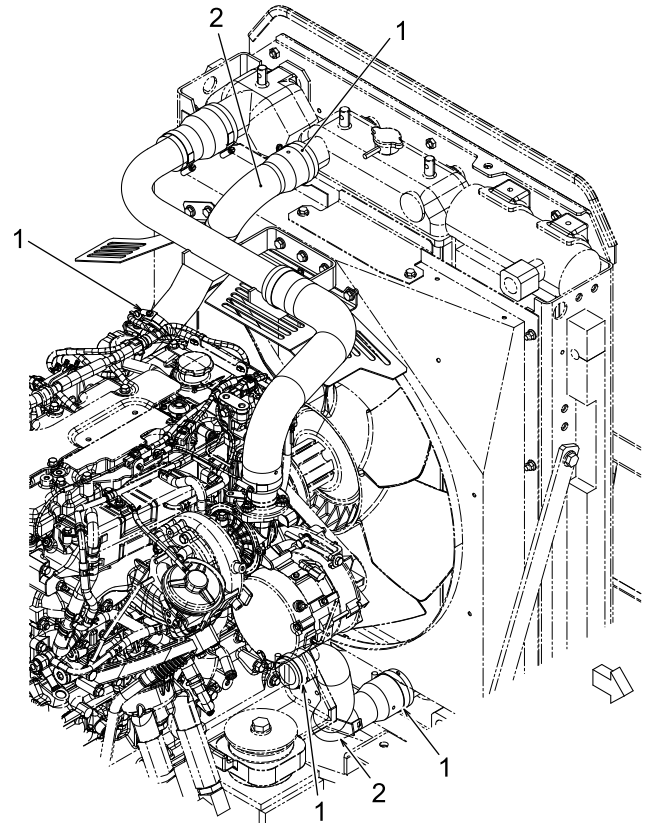


## REPLACING RADIATOR HOSES

Inside the radiator, the high pressure steam occurs and it may cause personal injury. Do not loosen or remove the radiator cap when the coolant is under high pressure and high temperature.

- Stop the engine before removing the radiator cap.
- Allow enough time for the coolant to cool down before removing the radiator cap.

1. Loosen four bolts under the radiator, and remove the cover.
2. Loosen radiator cap (1) slowly. After checking that the pressure is completely released, push the cap down, loosen it further, and then remove it.
3. Loosen drain cock (3) and drain the coolant into a container until the water level of the radiator becomes lower than hose (2) to replace.
4. Loosen clamp (1), remove damaged hose (2), and replace it with a new hose.
5. Tighten drain cock (3).
6. Refill the radiator with coolant and then fill the reserve tank with coolant.
7. After refilling, tighten the radiator cap securely.
8. Remove the support stay, and close the engine hood.
9. Install the cover on the specified position under the radiator.



## 4.16.4 CLEANING OR REPLACING AIR CONDITIONER FILTERS

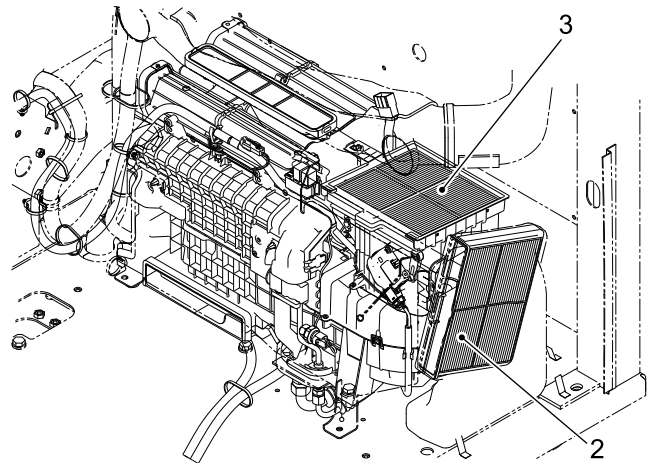
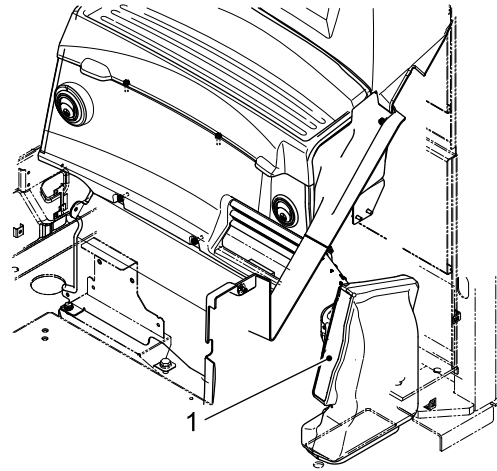
**IMPORTANT**

The maintenance interval is a reference value. Clean the filters earlier than the specified interval in case the machine is being used in dusty area.

	Cleaning	Replacement
Recirculation air filter	Every 500 hours	After cleaning approximately 10 times
Fresh air filter	Every 250 hours	After cleaning approximately 10 times

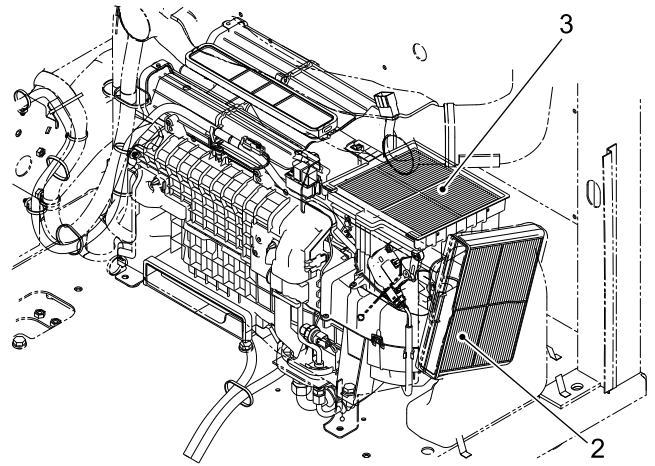
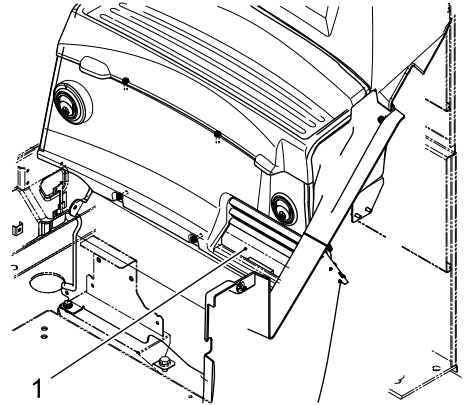
### CLEANING OR REPLACING AIR CONDITIONER FRESH AIR FILTER

1. Fresh air duct (1) is placed on the left rear side of the operator's seat.
2. Hold the handle of the fresh air filter (2) inserted into fresh air duct (1) and pull it out toward you.
3. Clean the recirculation/fresh air filters by blowing compressed air (0.2 MPa (29psi) or less) to them.
4. Install the cleaned or replacement filters in the reverse order of removal.



CLEANING OR REPLACING OF AIR CONDITIONER RECIRCULATION AIR FILTER

1. Hold the lower side of cover (1) at the left rear side of the operator's seat and pull it toward you.
2. Hold the handle of recirculation air filter (3) through the opening of the removed cover (1) and pull it out forward.
3. Clean the recirculation / fresh air filters by blowing compressed air (0.2 MPa (29psi) or less) to them.
4. Install the cleaned or replacement filters in the reverse order of removal.



**Notice**

Install the recirculation air filter with the arrow facing rearward.

## 4.16.5 INSPECTING, CLEANING, OR REPLACING AIR CLEANER ELEMENT

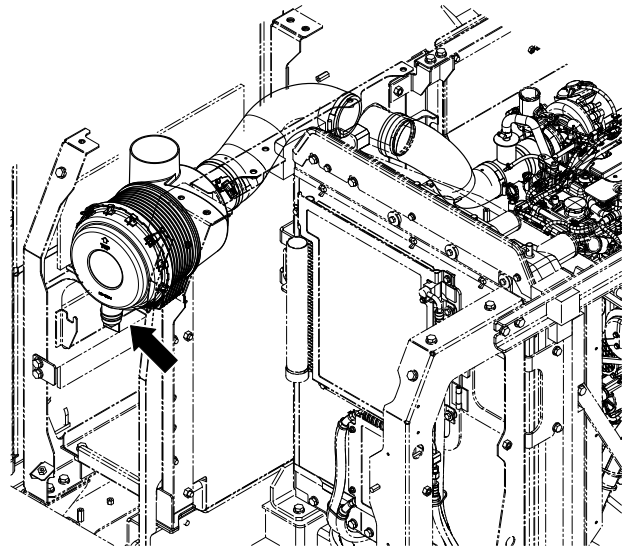
### **CAUTION**

- Wear protective glasses or respirator when using compressed air.
- Before cleaning or replacing the air cleaner element, stop the engine.
- Do not remove the inner element except for replacing with a new one.
- When replacing the inner element, cover the inlet inside the air cleaner with a clean cloth or tape to prevent dust from entering it.

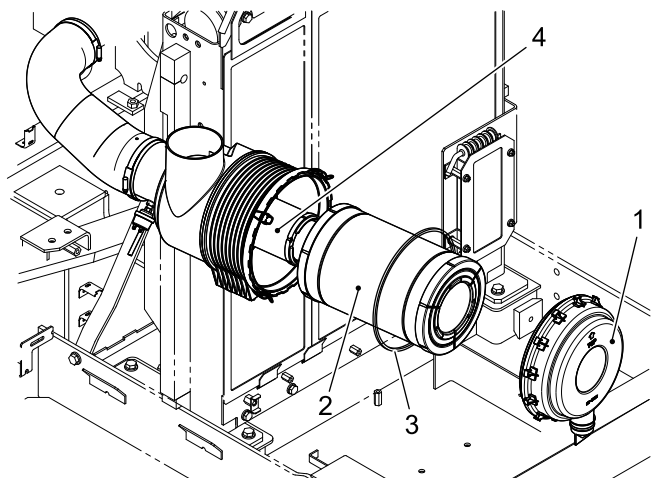
	Cleaning	Replacement
Outer element	When the warning is displayed on the monitor or every 250 hours	After cleaning 6 times or after one year
Inner element	—	When replacing the outer element

### CLEANING OR REPLACING OUTER ELEMENT

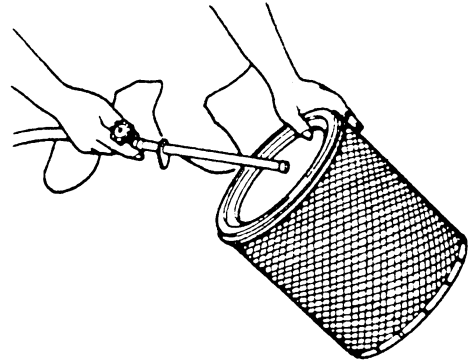
1. Use the starter key to open the side door at the left side of the machine, and hold it with the stay.



2. Remove the clamp from air cleaner cover (1) to open it.
3. Remove outer element (2), and clean inside the air cleaner.



4. From inside outer element (2), blow compressed air (0.2 MPa (29psi) or less) along the folds. Then blow the compressed air from the outside along the folds, and then from the inside again.  
Do not hit the outer element to solid objects or clean the outer element by hitting it.
5. After cleaning, check outer element (2), and if holes and ruptures are found, replace it with a new one.
6. Install outer element (2), and install gasket (3) to cover (1).



**CAUTION**

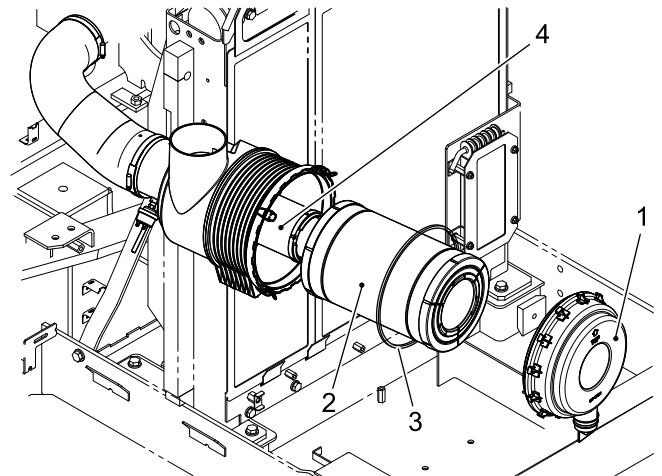
Install the cover with the gasket attached to the air cleaner.  
Without the gasket, water gets into the air cleaner, causing failure of the engine.

7. Install cover (1) to the air cleaner with the arrow facing up, and fix it with the clamp.
8. Close the side door, and lock it with the starter key.

**REPLACING INNER ELEMENT**

Replace the inner element when replacing the outer element.

1. Remove outer element (2), and then remove inner element (4).
2. Cover the inlet inside the air cleaner with a clean cloth or tape.
3. Clean inside the air cleaner.
4. Remove the cover at the inlet, and install new inner element (4).
5. Install new outer element (2) and then install gasket (3) to cover (1).
6. Install cover (1) to the air cleaner with the arrow facing up, and fix it with the clamp.
7. Close the side door, and lock it with the starter key.



## 4.16.6 CLEANING OR REPLACING RADIATOR CAP



### WARNING HANDLING OF COOLANT AND CAP

Do not loosen or remove the reserve tank cap and the radiator cap when the coolant is under high pressure and high temperature.

High temperature steam and coolant will spray and could cause burns.

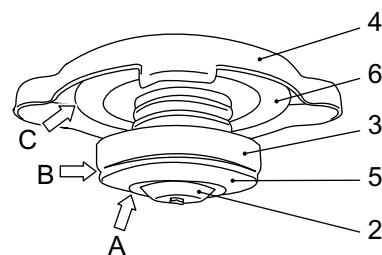
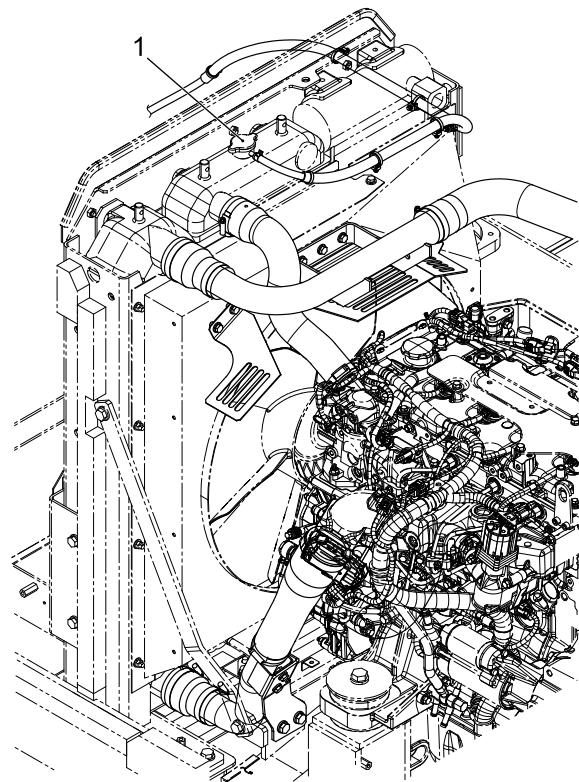
- When opening the cap, wait until the coolant cools down, and then slowly turn and open the radiator cap.
- The antifreeze is poisonous, so prevent it from contacting with skin. If the antifreeze gets into your eyes or on your skin, flush the eyes or skin with plenty of water, and seek medical attention.



Securely close the cap after opening it.

Inspection/cleaning	Replacement
Every 250 hours	If damaged, or every 1 year

1. Open the engine hood and hold it with the stay.
2. Loosen radiator cap (1) slowly. After checking that the pressure is completely released, push the cap down, loosen it further, and then remove it.
3. Check the following points of the cap. If foreign materials are adhered, remove them and if any damages are found, replace the parts.
  - A: Contact surface between negative pressure valve (2) and gasket (5)
  - B: Both surfaces of pressure valve (3) and gasket (5)
  - C: Both surfaces of external lid (4) and gasket (6)
4. Close cap (1) and close the engine hood.



#### 4.16.7 INSPECTING SCR SYSTEM

- Check the DEF/AdBlue tank, the DEF/AdBlue supply module, and around the DEF/AdBlue pipe for water leakage.
- Check the tubes and the hoses in the DEF/AdBlue piping for deterioration and damage.
- For the following inspections, contact your KOBELCO or KOBELCO authorized dealer.
  - Inspection around the DEF/AdBlue dosing module for water leakage
  - Inspection of the cooling water piping of the SCR system for water leakage, deterioration, and damage
  - Inspection of the harnesses of SCR for damage, and the connecting parts for looseness.

## 4.16.8 CLEANING RADIATOR, OIL COOLER CORE AND SCREEN



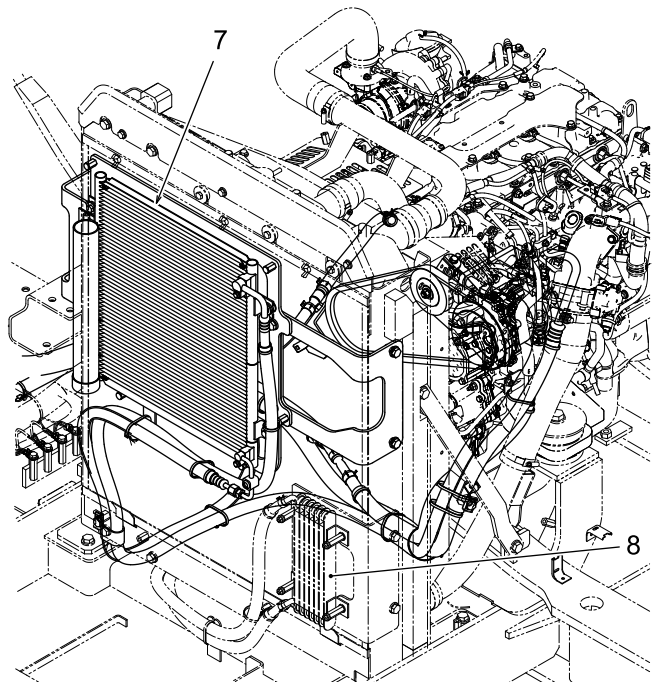
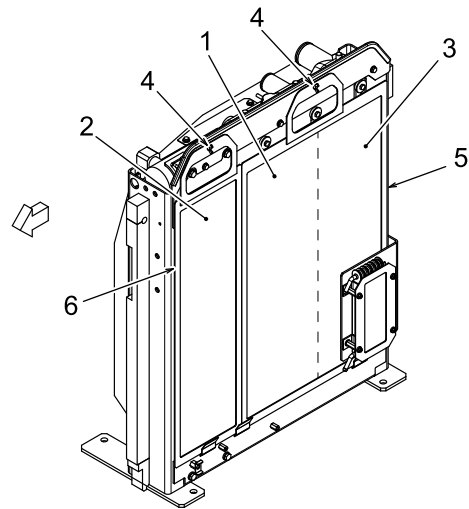
### HANDLING PRECAUTIONS

Direct strike of compressed air, steam, or high pressure water on your body can cause injury. Wear safety glasses, or goggles, mask, and safety shoes, etc.

### Notice

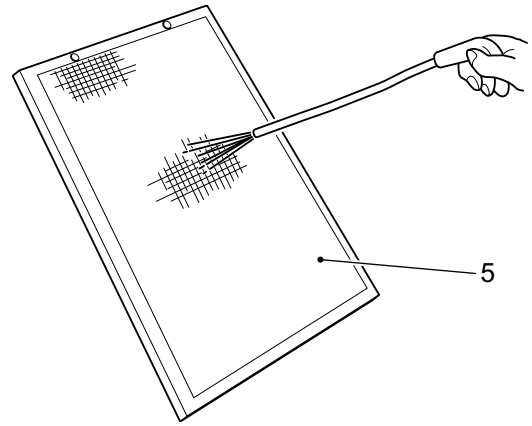
When using compressed air or high pressure water, keep it away from the fins to prevent them from being damaged. If the fins are damaged, it may cause water leakage or overheating.

1. Open the engine hood with the starter key.
2. Using the starter key, open the side door at the left side of the machine.
3. Check screens (5) and (6) installed in front of radiator (1), oil cooler (2), and inter cooler (3) and if mud, foreign materials, or dead leaves are attached, loosen wing bolts (4) and pull out screens (5) and (6) and clean them.





4. Clean screens (5) and (6) with compressed air (0.2 MPa) or tap water.
5. Check radiator (1), oil cooler (2), inter cooler (3), condenser (7), and fuel cooler (8) and clean any mud, dust or leaves off if they are attached.
6. Insert screens (5) and (6) into the original positions, and install them with wing bolts (4).
7. Close the engine hood and the side door at the left side of the machine and lock them.



## 4.17 500 HOUR (6-MONTH) INSPECTION & MAINTENANCE PROCEDURES

Thoroughly read and understand "SAFETY PRECAUTIONS" of this manual before performing the inspection and maintenance.

Perform this section together with "EVERYDAY CHECK-UP and 50, 100, 120, and 250 HOUR INSPECTION & MAINTENANCE PROCEDURES".

### 4.17.1 REPLACING ENGINE OIL AND ENGINE OIL FILTER

---



#### WARNING ABOUT HOT PARTS

- Contact with hot parts during operation or immediately after stopping operation may cause burns. Do not touch the hot parts.
  - Immediately after operation, the oil and oil filter are hot. Start the replacement after the temperature goes down.
- 

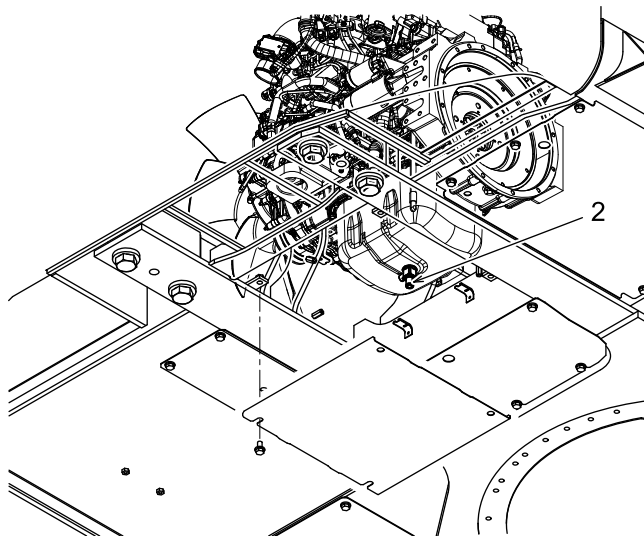


- Do not reuse the filter element, O-ring and gasket.
  - When replacing the O-ring or gasket, check the fitting condition at the mounting surface to prevent it from being twisted and broken.
- 

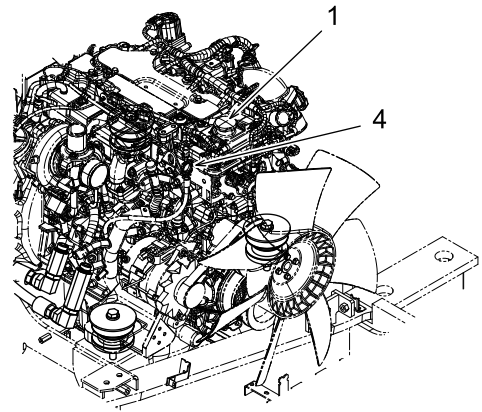
#### Notice

- Check drain engine oil, and if metal chips or powder is found in the oil, contact your KOBELCO authorized dealer/distributor.
  - Change the engine oil after 50 hours of operation has been reached for the first time.
  - When the engine oil is replaced, replace the engine oil filter as well.
  - When the engine oil filter is replaced, run the engine at low idle for several minutes until the oil is filled in the filter.
- 

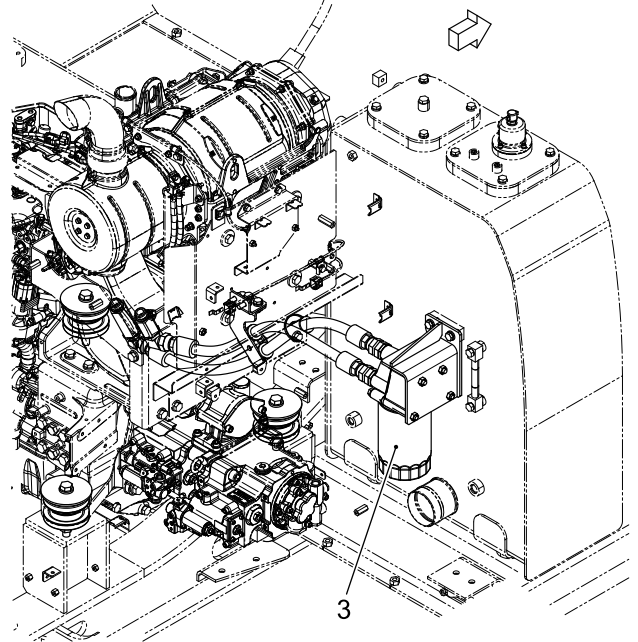
1. Loosen the four bolts at the under cover just under the engine and remove the cover.
2. Place a container for drain oil under drain cock (2).  
Container: 17.0 L (4.5 Gal) or more



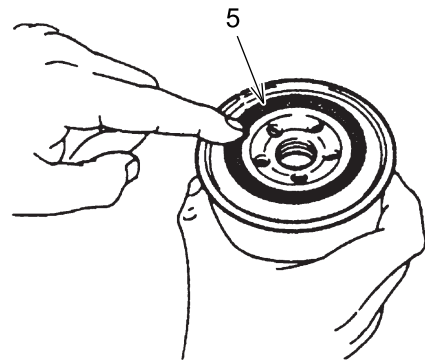
3. Clean the area around oil filler cap (1), remove the cap and loosen drain cock (2) of the engine oil pan to drain the oil.
4. After draining the oil, tighten drain cock (2) and oil filler cap (1) securely.



5. Turn filter element (3) with a filter wrench and remove it.
6. Remove dirt and foreign materials from the mounting surface of the oil filter body.



7. Apply engine oil to the gasket of new filter element and install the filter element by turning it by hand until it does not turn any more.



**CAUTION**

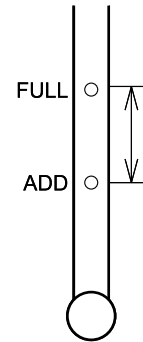
- Do not reuse the filter element, O-ring and gasket.
- When replacing the O-ring or gasket, check the fitting condition at the mounting surface to prevent it from being twisted and broken.

8. Use the filter wrench to tighten the filter element about a three-quarter turn.
9. Remove the oil filler cap and refill the specified engine oil from the oil filler port, referring to "LUBRICANT, FUEL & COOLANT SPECIFICATIONS" in Chapter 4.

## [4. INSPECTION AND MAINTENANCE]

---

10. Use level gauge (4) to check the engine oil level. Refill the engine oil to the proper level, which is between upper limit (H) and lower limit (L).
11. Attach oil filler cap (1).
12. Start the engine, run the engine at low idle for several minutes and stop the engine. About 10 minutes later, check the engine oil level. If the level is low, refill the engine oil repeatedly to the proper level.
13. Make sure that there is no leakage from the mounting surface of the oil filter.
14. Attach the cover under the engine to the original position.



## 4.17.2 REPLACING FUEL PRE-FILTER

**WARNING**

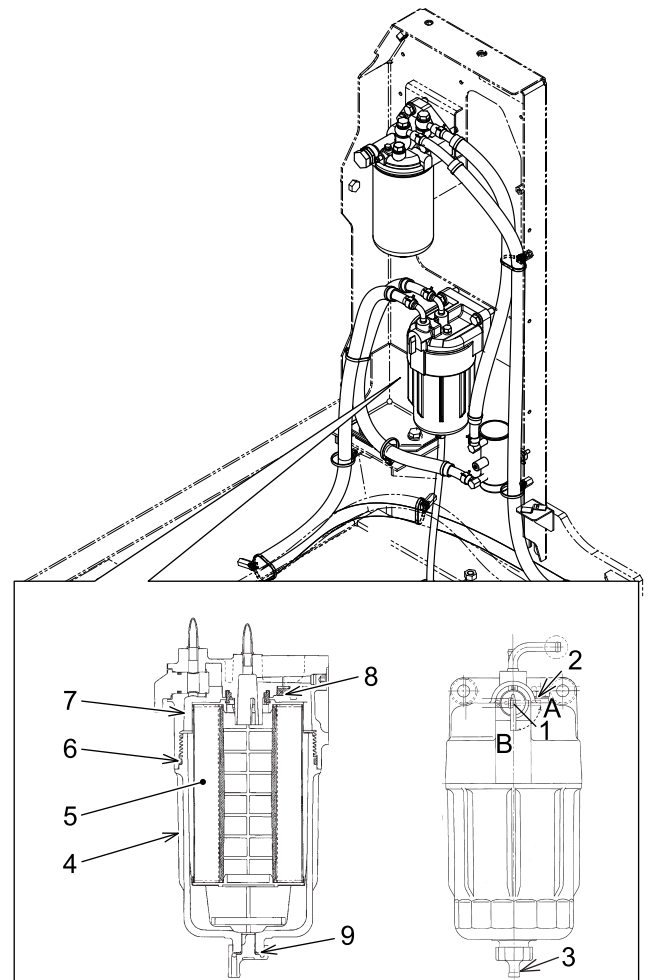
## HANDLING OF FUEL

- Wipe off spilled fuel completely to prevent a fire.
- Make sure that there is no fuel leakage after performing work.

**CAUTION**

- Do not reuse the filter element, the O-ring, and the gaskets.
- When replacing the O-ring and the gaskets, check the fitting condition at the mounting surface to prevent them from being twisted and broken.

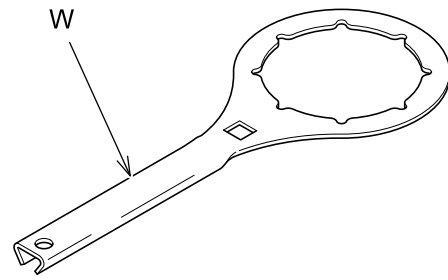
1. Place a container for drain fuel under the fuel pre-filter.
2. Set stop valve (1) to "CLOSE" position (A).
3. Clean the area around air bleeder plug (2).



## [4. INSPECTION AND MAINTENANCE]

---

4. Loosen air bleeder plug (2) and drain plug (3) to drain the fuel inside the filter.
5. Remove air bleeder plug (2) and drain plug (3).
6. Turn case (4) with filter wrench (W) equipped with the machine to remove it.
7. Install new filter element (5) to case (4).
8. Apply light oil slightly to new O-ring (6) before installing it on case (4).
9. Remove dirt and foreign materials on the mounting surface of cover (7).
10. Turn case (4) with filter wrench (W) to install it to cover (7) securely.  
Tightening torque:  $30 \pm 2 \text{ N} \cdot \text{m}$  ( $22.1 \pm 1.48 \text{ lbf} \cdot \text{ft}$ )
11. Replace gaskets (8) and (9) with new ones, apply a thin coat of light oil to them, and then install them on air bleeder plug (2) and drain plug (3).
12. Install air bleeder plug (2) and drain plug (3).
13. Set stop valve (1) to "OPEN" position (B).
14. Bleed air according to "BLEEDING AIR FROM FUEL PIPING" in Chapter 4.



### 4.17.3 REPLACING FUEL FILTER



#### WARNING

#### HANDLING OF FUEL

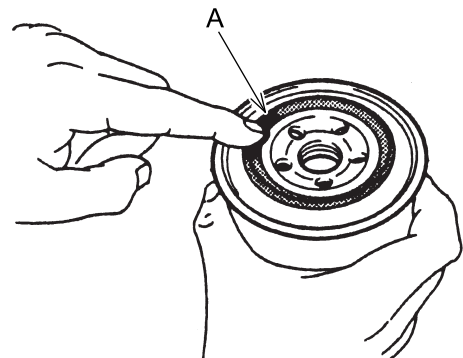
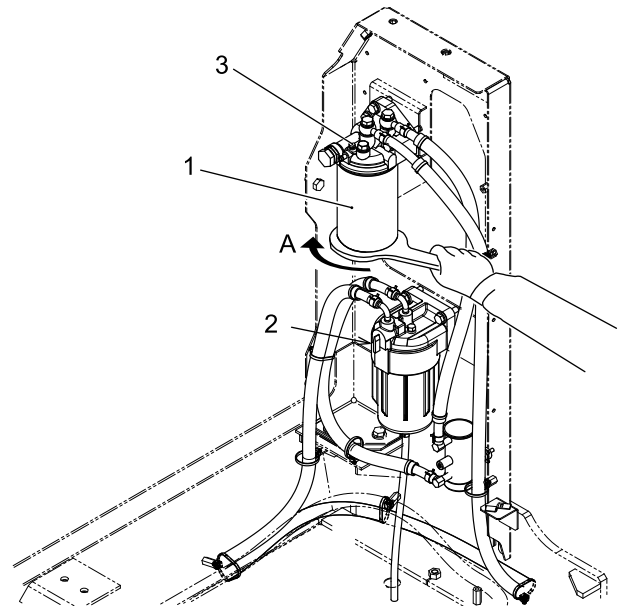
- Immediately after the engine is stopped, each of parts is heated. Before starting the work, wait until each part cools down.
- Wipe off spilled fuel completely to prevent a fire.



#### CAUTION

- Do not reuse the O-rings and the gaskets.
- When replacing the O-ring and the gaskets, check the fitting condition at the mounting surface to prevent them from being twisted and broken.
- The fuel filter cannot be reused because it is a cartridge type.

1. Stop the engine and open the right side door.
2. Place a container for drain fuel under fuel filter (1).
3. See "REPLACING FUEL PRE-FILTER" in Chapter 4 to close cock (2) of the fuel pre-filter.
4. Clean the area around air bleeder plug (3).
5. Loosen air bleeder plug (3) and drain the fuel inside the filter.
6. By using the fuel filter wrench equipped with the machine, turn filter cartridge (1) to left (A) to remove it.
7. Completely wipe off the sealing surface of the filter base to prevent dust and foreign materials from being seized.
8. Apply clean fuel to the gasket.
9. Apply a thin coat of clean light oil to packing (A) of a new filter cartridge, tighten it by hand, and then tighten it with an additional two-thirds of a turn.
10. Tighten air bleeder plug (3).
11. Open cock (2) of the fuel pre-filter.
12. Bleed air according to "BLEEDING AIR FROM FUEL PIPING" in Chapter 4.



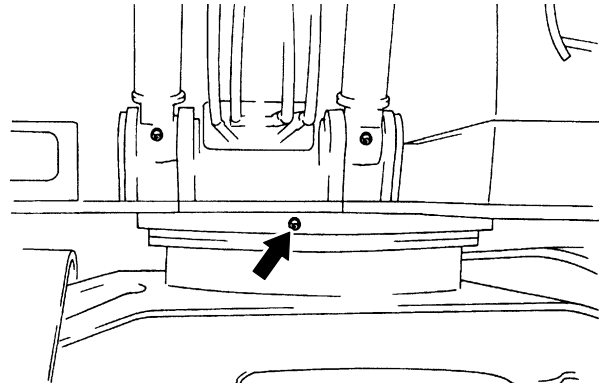
### 4.17.4 GREASING SWING BEARING

**WARNING** ABOUT GREASING SWING BEARING

Do not swing the machine while greasing the swing bearing because it is dangerous.

The grease nipple is at one location.

- Clean the grease nipple and swing the upper structure by every 90 degrees for greasing. Every time after swinging the upper structure, apply grease until the grease comes out through the seal of bearing.  
(About maximum 35 cc per each direction)

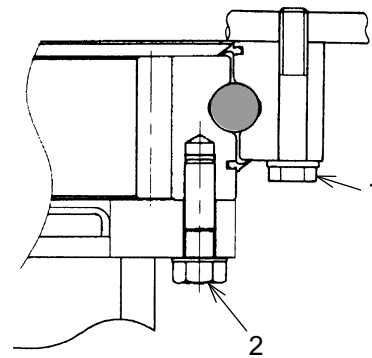


### 4.17.5 CHECKING SWING BEARING MOUNTING BOLT FOR LOOSENESS

**Notice**

Use a torque wrench when tightening the bolts of the swing bearing.

1. Check that bolts (1) and (2), which tighten the swing bearing are not loose.
2. When they are loose, remove bolts (1), and (2), apply the recommended thread locking agent (Loctite #262 or equivalent) and tighten them. Tighten diagonally positioned bolts alternately.

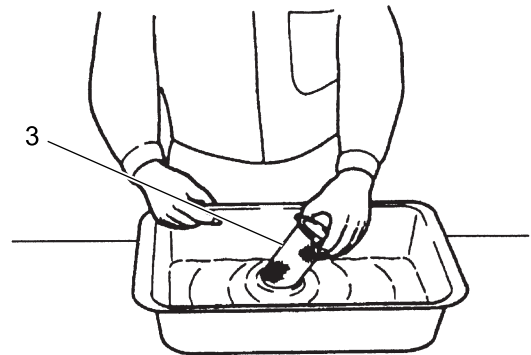
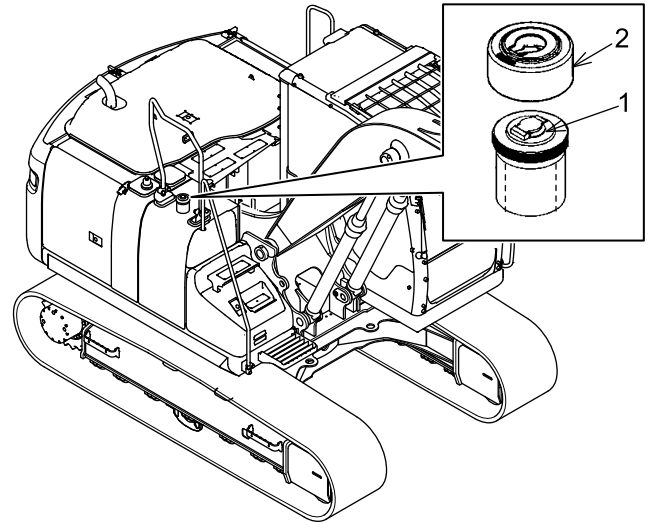


Mounting part	Tightening torque N·m (lbf·ft)
Inner race	279±29(206±21)
Outer race	256±25.6(189±19)



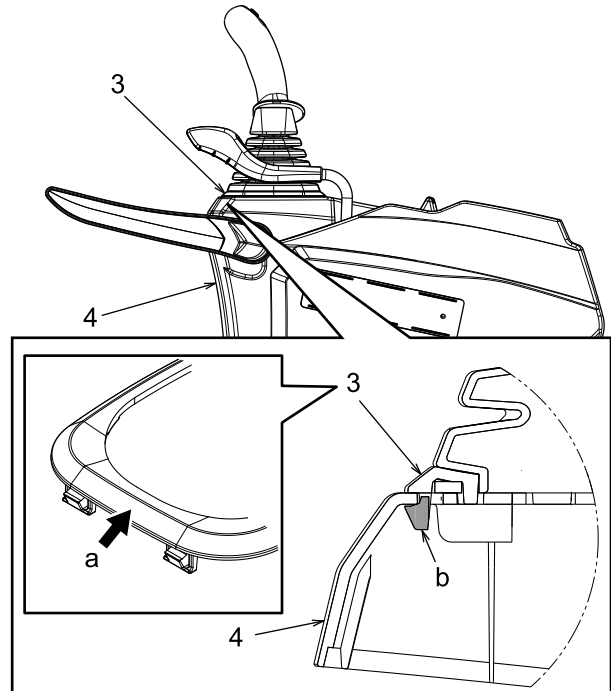
### 4.17.6 CLEANING FUEL TANK CAP AND STRAINER

1. Stop the engine.
2. If rubber cover (2) is attached on the filler port, remove it, and turn filler cap (1) to open it using the starter key.
3. Check the seal on filler cap (1), and replace it if damaged.
4. Wash strainer (3) with clean light oil, and install it. If damaged, replace it with a new one.
5. Attach filler cap (1), and after locking it with the starter key, attach rubber cover (2) by aligning it with the orientation of filler cap (1).

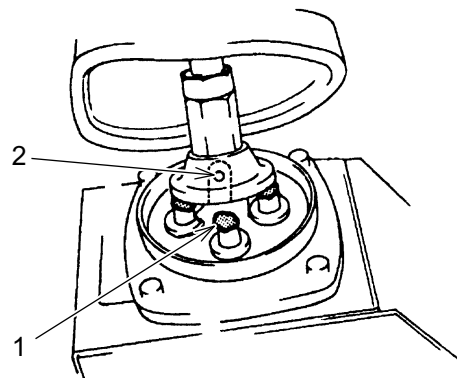


### 4.17.7 LUBRICATING PUSH ROD OF CONTROL LEVER

1. Push part "a" of boot (3), remove two front clicks (b) out of four clicks from plastic cover (4), and then remove boot (3).



2. Remove the rubber boot of the pilot valve and apply a small amount of grease to push rod (1) and top end (2) of the rotation sliding section.
3. After applying the grease, install the boot of the pilot valve and boot (3).



## 4.17.8 CHECKING AIR CONDITIONER REFRIGERANT

**REFRIGERANT**

- Do not loosen the parts in the refrigerant circuit because there is a hazard of losing sight by getting refrigerant in your eyes and getting frostbite on your hands by touching it.
- Inhalation of the refrigerant may result in fatal injury. Also, do not bring a fire near the area where refrigerant gas is produced.

**Notice**

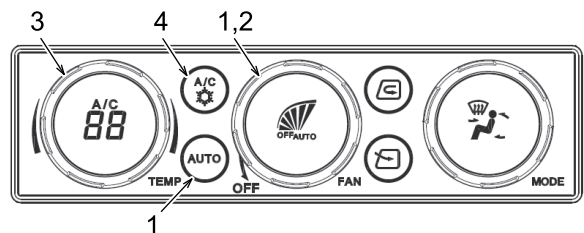
- When filling or changing refrigerant, confirm the type of refrigerant and use the specified refrigerant. (Refrigerant type: R-134a Quantity: 780 g ± 50 g (1.72 lbs ± 0.11 lbs))  
The use of unspecified refrigerant may cause damage of the components.
- Operate the air conditioner at least once every week for several minutes to rotate the compressor regardless of the season. This will prevent the refrigerant gas from leaking from the compressor sealing.
- If an oil stain is found around a pipe joint, it is a sign of gas leakage. Contact your KOBELCO authorized dealer for inspection.

**Notice**

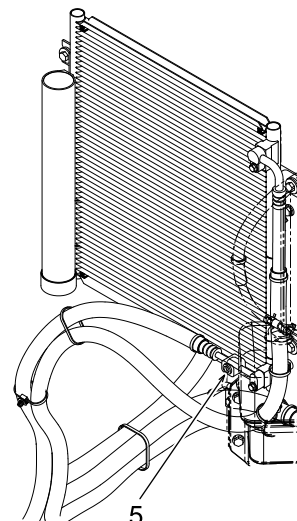
Be sure to follow the following regulations to protect the global environment.

- Do not release the refrigerant sealed in this product to the atmosphere without care.
- Extract the sealed refrigerant from the unit when disposing this product.

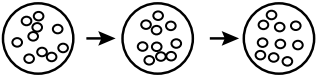
1. Start the engine, and set the engine speed to the middle speed position of the engine throttle.
2. Fully open the windows of the cab and the doors.
3. Set the air conditioner as shown in the following.
  - (1) Air conditioner control: ON
  - (2) Fan speed selector switch: HI display
  - (3) Temperature setting switch: MAX COLD
  - (4) Air conditioner switch: ON



4. Check the amount of the refrigerant by seeing sight glass (inspection window) (5).  
See the figure of "Condition of Sight Glass" for judging whether the refilled refrigerant volume is sufficient or not.



**Condition of Sight Glass**

When insufficiently charged	After turning ON the main power switch, bubbles are seen continuously.	
-----------------------------	--	--

## 4.17.9 CLEANING OR REPLACING ELECTROMAGNETIC FUEL PUMP

**REPLACING FILTER**

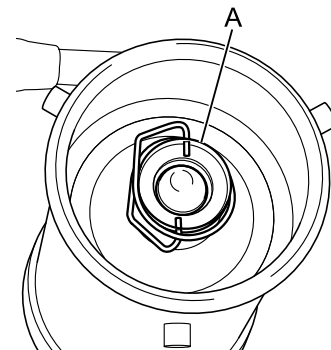
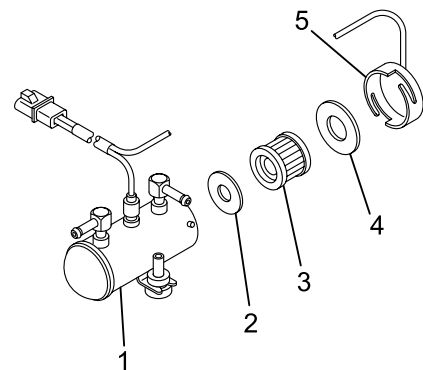
When removing since the fuel is present inside the pump (1), use a container or something similar to receive the fuel, so that the fuel does not splash on the engine. Also, be cautious of fire.

**Notice**

- When the filter (3) is removed, make sure to replace the gasket (4) and clean the magnet portion inside the cover (5).
- Do not disassemble the piston and its parts locating at the inside center of the electromagnetic pump.
- When removing the gasket (4), hold the outer part of the gasket with your fingers and pull it out.

Contact your KOBELCO authorized dealer for replacement of the filter.

1. Disconnect the wiring attached to the pump (1) cover (5). Turn the cover using a wrench to remove it.  
A: Impossible to disassemble
2. Remove the filter (3) and gasket (4), and replace or clean them.  
Clean the removed filter (3) with clean diesel fuel, and blow off the dirt and other impurities using high-pressured air. Then, install the filter (3) and a new gasket (4).
3. Install the cover (5). Securely tighten it all the way to the end using the wrench.

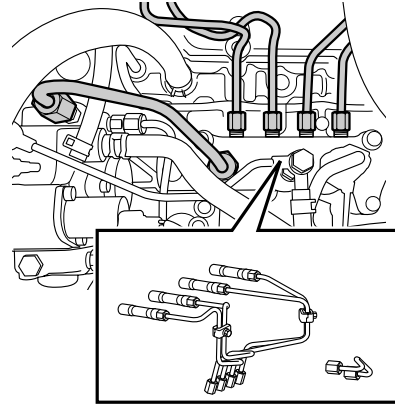
**Notice**

- After the cover (5) has been installed, make sure to check the airtightness.
- The interval of replacement or cleaning should be shortened depending on the status of fuel management and refuel.

### HANDLING THE FUEL PIPING

When the injection pipe (high-pressure pipe) is removed, do not reuse but replace it. Also, when the pipe is found loosened, replace it.

Reuse of the removed injection pipe can cause fuel leakage.



## 4.18 1000 HOUR (12-MONTH) INSPECTION & MAINTENANCE PROCEDURES

Thoroughly read and understand "SAFETY PRECAUTIONS" of this manual before performing the inspection and maintenance.

Perform this section together with "EVERYDAY CHECK-UP and 50, 100, 120, 250, and 500 HOUR INSPECTION & MAINTENANCE PROCEDURES".

### 4.18.1 REPLACING RETURN FILTER



#### WARNING PAY ATTENTION TO HOT PARTS

- The oil in the hydraulic oil tank is under high pressure and high temperature. Before removing the cover, stop the engine first, remove the breather cap, press the valve, and release the pressure from the tank.
- Immediately after engine operation, the oil is hot and it may cause burns. Wait until the oil temperature cools down before attempting to change the hydraulic oil.

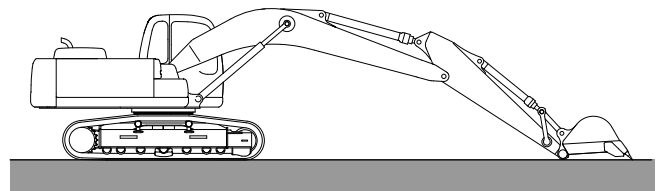
#### Notice

Hydraulic oil before filtration inside the filter contains dirt. When taking out the return filter, do not return the hydraulic oil remaining in the filter back to the tank.

#### Notice

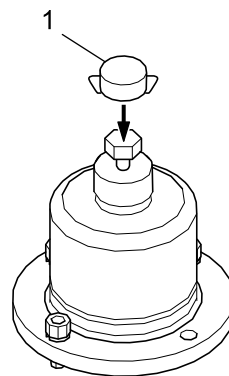
- As for the return filter element kit to be replaced, ask your KOBELCO authorized dealer for the part number and then place an order.  
Replace the return filter after 50 hours of operation has been reached for the first time, and then every 1,000 hours.  
For breaker specification, replace it every 250 hours.
- A warning is displayed on the monitor not only when the remaining maintenance interval set from the monitor becomes 0, but also when the return filter is clogged. (See "WARNING DISPLAY SCREEN" in Chapter 2)  
Regardless of the setting time of maintenance, when the hydraulic oil filter replacement warning is displayed, replace the return filter.

1. Move the machine to a level and firm place.
2. Park the machine in the hydraulic oil level inspection position.
3. Stop the engine and move the pilot control shut-off lever to the "LOCKED" position.

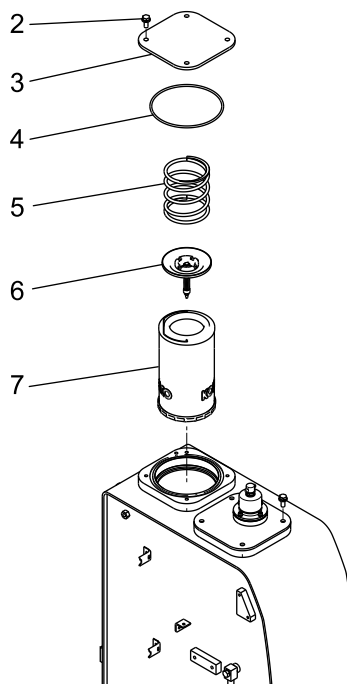


## [4. INSPECTION AND MAINTENANCE]

4. Remove breather cap (1) on the top of the hydraulic oil tank and keep pressing the valve until the pressure inside the hydraulic oil tank is released.



5. Remove bolt (2) and cover (3) on the tank upper surface.
6. Take out spring (5), check valve (6) and element assembly (7) from the tank.  
At this time, do not return the hydraulic oil remaining in the filter back to the tank.
7. Replace O-ring (4) on the mounting surface of cover (3).
8. Insert element assembly (7).
9. Attach the element by the reverse order of the steps 3 and 4.
10. Attach cover (3) with bolts (2).  
Tightening Torque:  $46.5 \pm 4.6 \text{ N} \cdot \text{m}$  ( $34.3 \pm 3.4 \text{ lbf} \cdot \text{ft}$ )
11. Start the engine, set the machine in the hydraulic oil level inspection position, and check the hydraulic oil level.





## 4.18.2 REPLACING AIR BREATHER ELEMENT

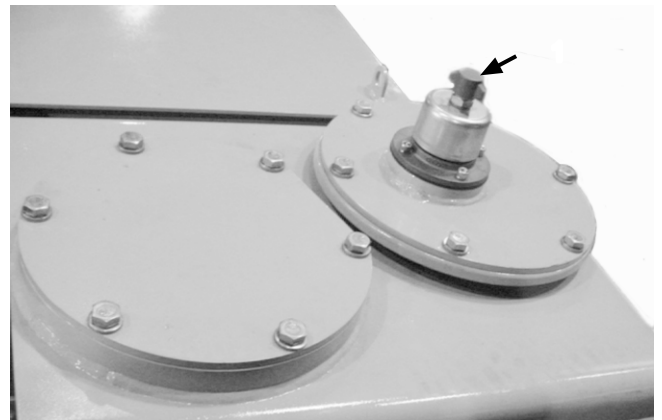
### **CAUTION**

Immediately after engine operation, the oil is hot and it may cause in burns. Wait until the oil temperature cools down before attempting to change the element.

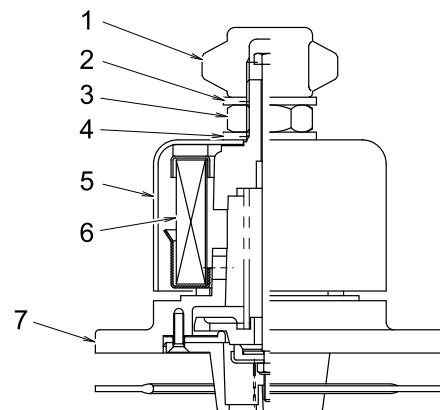
### **Notice**

- To keep the hydraulic oil clean and to extend the service life of the hydraulic components, replace the filter element at regular intervals.
- Every 1000 hours replacement is a rough guideline. If the machine is operated in very sandy and dusty conditions, replace the oil filter earlier than the specified interval.

1. Move the machine to a level and firm place.
2. Put the bucket on the ground.
3. Stop the engine and move the pilot control shut-off lever to the "LOCKED" position.
4. Remove breather cap (1) on the top of the hydraulic oil tank and keep pressing the valve until the pressure inside the hydraulic oil tank is released.



5. After removing breather cap (1), remove seal (2), nut (3) and seal (4) in order.
6. Turn cover (5) in the counterclockwise direction, remove the cover, and then remove element (6).
7. Install new element (6) and install cover (5) aligning the groove.
8. Be sure to prevent water and dirt from entering the air intake and exhaust ports between cover (5) and body (7).
9. Attach seal (4) on top of cover (5), then attach nut (3) and set seal (2).



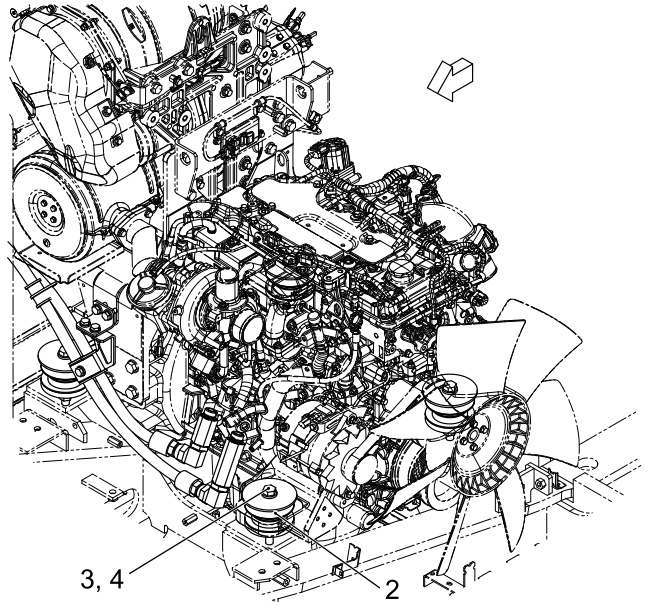
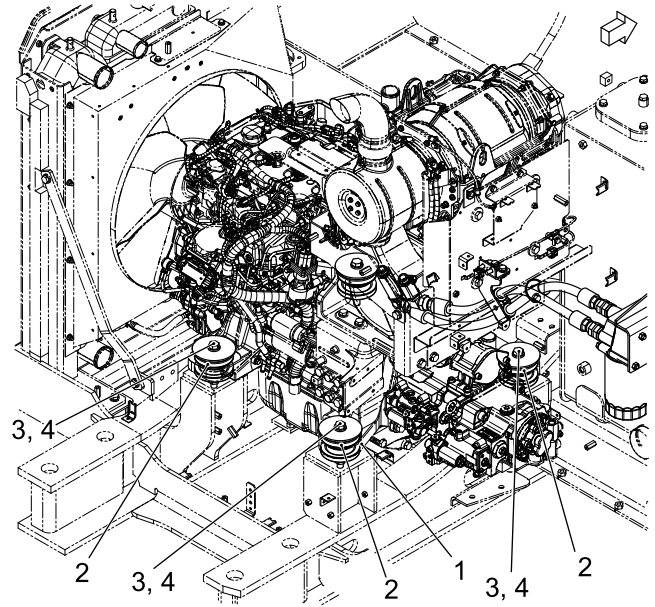
### **CAUTION**

To avoid breakage of bolts, do not over-tighten nut (3).  
Tightening Torque: 10 to 14 N·m (7.4 to 10.3 lbf·ft)

10. Securely tighten breather cap (1) clockwise by hand.

### 4.18.3 CHECKING ENGINE MOUNTING BRACKET FOR TIGHTENING CONDITION

1. Check damage and deterioration of engine mounting bracket (1) and rubber mount (2) and looseness of mounting bolts (3) and nuts (4).  
When engine mounting bracket (1) and rubber mount (2) are damaged or deteriorated, contact your KOBELCO authorized dealer for replacement.
2. When looseness is found, tighten mounting bolts (3) and nuts (4).  
For the tightening torques, see "TIGHTENING TORQUES FOR BOLTS & NUTS (SPECIFIC POSITIONS)" in Chapter 4.



---

## 4.18.4 CHECKING BATTERY VOLTAGE

---



### HANDLING OF BATTERY

- Wear protective glasses, long-sleeve shirt and gloves when handling the batteries.
  - Do not bring a fire near the battery because the combustible hydrogen gas generated by the battery can cause explosion.
  - If the dilute sulfuric acid in the battery splashes onto your skin or into your eyes, it will cause burns or blindness. At such case, immediately wash the skin or eyes with sufficient clean water, and ask a special doctor to treat it as soon as possible.
  - Before performing inspection and maintenance on the batteries, be sure to stop the engine and set the battery power-off switch to the "OFF" position.
  - When removing the battery terminal be sure to remove the ground side (negative terminal) first and conversely, when attaching the battery terminal, attach the ground side last.
  - Do not put tools and hardware on the protective cover on the battery upper section. It may cause a short circuit resulting in a fire or explosion.
- 



Before turning the battery power-off switch to the "O (OFF)" position or removing the terminal of the battery, turn the starter switch to the "OFF" position and wait 5 minutes or more.

If the battery power is turned off immediately after stopping the engine, it may cause damage to the exhaust gas cleaning device.

---

### Notice

- Clean the battery terminals and apply grease or commercial anti-rust lubricant spray.
  - Do not dispose of the battery by yourself but always ask a professional service company to dispose of it.
  - If the batteries became old, do not attempt to use the old battery and a new battery together. The service life of the new battery may be shortened. When replacing the batteries, replace the both at the same time.
- 
1. Measure the voltage of batteries and when it does not reach the specified voltage, charge or replace the batteries.
  2. After replacement, the battery should be properly secured to the machine.
-

## 4.19 2000 HOUR INSPECTION & MAINTENANCE PROCEDURES

Thoroughly read and understand "SAFETY PRECAUTIONS" of this manual before performing the inspection and maintenance.

Perform this section together with "EVERYDAY CHECK-UP and 50, 100, 120, 250, 500, and 1000 HOUR INSPECTION & MAINTENANCE PROCEDURES".

### 4.19.1 REPLACING COOLANT

---



#### HANDLING OF COOLANT

Do not loosen or remove the radiator cap when the coolant is under high pressure and temperature. High temperature steam and the coolant will spray and could cause burns.

- When opening the radiator cap, wait until the coolant cools down, and then slowly turn and open the radiator cap.
  - The antifreeze is poisonous, so prevent it from contacting with skin. If the antifreeze gets into your eyes or on your skin, flush the eyes or skin with plenty of water, and seek medical attention.
- 



If air remains inside the coolant circuit, it will lead to damage of the machine. Perform the work according to the procedure and do not allow the air to remain inside the coolant circuit.

---

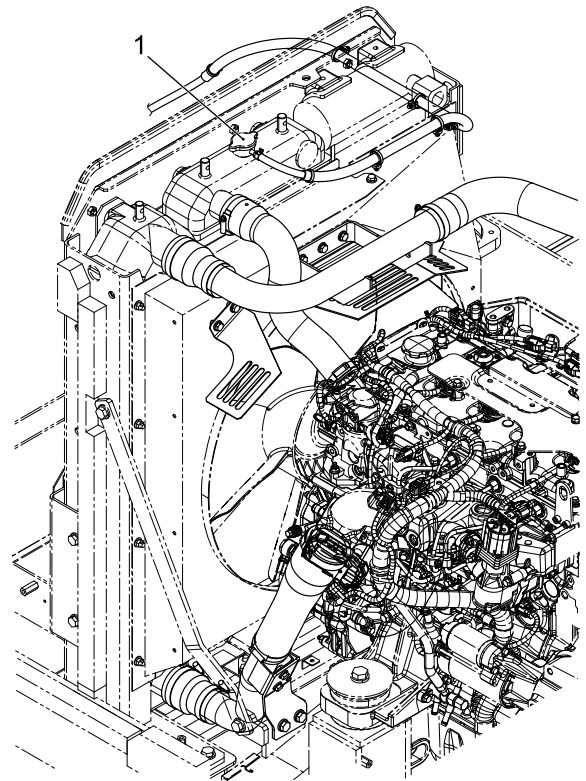
#### Notice

Use the KOBELCO genuine antifreeze at 50 % concentration. Use clean water such as tap water for the water to be mixed with the antifreeze.

- Use the specified antifreeze. If improper antifreeze is used, it will cause damage to the machine such as occurrence of rust inside the coolant circuit.
  - Do not mix and use different types of coolants.
  - Replace the coolant earlier than the specified interval when it is dirty and/or bubbling.
- 

1. Move the machine to a level and firm place and lower the bucket to the ground.
2. Stop the engine and move the pilot control shut-off lever to the "LOCKED" position.
3. Loosen radiator cap (1) slowly. After checking that the pressure is completely released, push the cap down, loosen it further, and then remove it.  
Here is the radiator filler opening.
4. Remove the under cover under the radiator, place a container for drain coolant, and open drain plug (2) and drain plug (3) on the side face of the engine to drain the coolant.

5. After draining the coolant, close drain plug (2) and drain plug (3), and prepare a hose for pouring water, and pour tap water from the radiator filler opening.

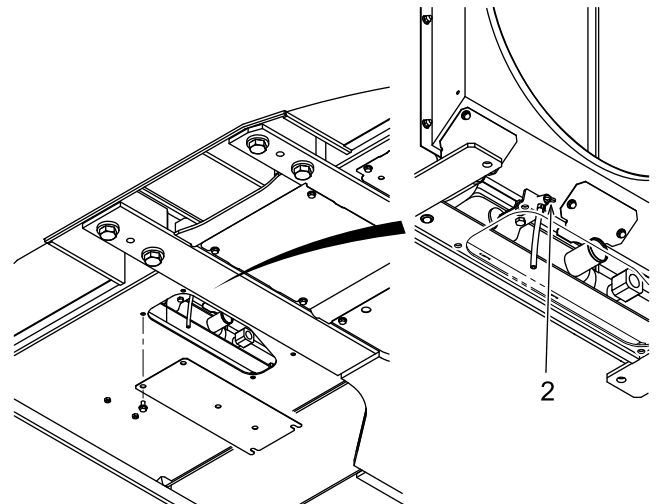


6. Open drain plug (2) and drain plug (3), and then start and run the engine with low idle for 10 minutes while washing the inside of the radiator with flowing water.

During the washing with flowing water, regulate the volumes of water being poured to keep the water level in the radiator full.

And also, always check the hose used for pouring water for coming off from the radiator filler opening.

7. Stop the engine and stop pouring water, and then discharge the water. After that, close drain plug (2) and drain plug (3).

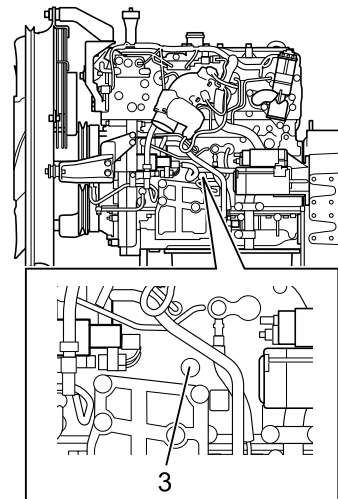


8. Wash the radiator with cleaning solution. Regarding how to use the cleaning solution, follow the handling manual of the cleaning solution to be used.

9. After washing the radiator with the cleaning solution, perform washing with flowing water again according to procedures 5 to 7. At this time, continue the washing with flowing water until clean water comes out.

10. Drain the coolant inside the reserve tank (4) and wash the inside of it.

11. Pour the coolant from the radiator filler opening up to the neck of the radiator filler opening. At this time, to avoid intrusion of air as much as possible, slowly pour the coolant. (Speed of refilling is 4 L/min)

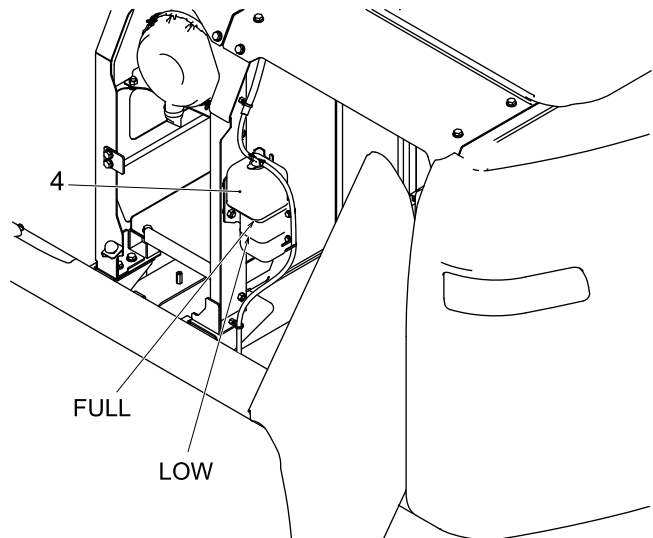


12. To bleed the air inside the cooling circuits, start and run the engine for 5 minute with low idle and then another 5 minutes with high idle, as stand-by operation. Perform this operation with radiator cap (1) removed.

## [4. INSPECTION AND MAINTENANCE]

---

13. Stop the engine, wait approximately 3 minutes, and then pour the coolant up to the neck of the radiator filler opening, and tighten radiator cap (1).
14. Refill the reserve tank with the coolant up to the middle between FULL (upper limit) to LOW (lower limit).
15. Install the under cover under the radiator.
16. After the coolant cools down enough, check the coolant levels at the radiator filler opening and the reserve tank (4).
  - If the coolant level at the radiator filler opening becomes low, refill the coolant.
  - Refill the reserve tank (4) with the coolant up to the middle between FULL (upper limit) to LOW (lower limit).



## 4.19.2 REPLACING OIL IN SWING REDUCTION UNIT

**WARNING****HANDLING OF OIL IMMEDIATELY AFTER OPERATION**

Immediately after operation, the oil is hot and it may cause burns. Start working after the temperature goes down.

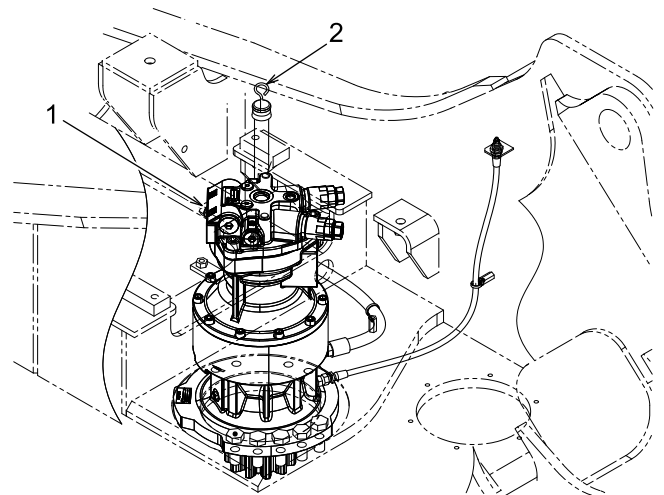
**Notice**

Replace the oil after 500 hours of operation has been reached for the first time.

**Notice**

- Check drain oil, and if metal chips or powder is found in the oil, contact your KOBELCO authorized dealer.
- Dispose of the drain waste oil properly as industrial waste.

1. Move the machine to a level and firm place.
2. Put the bucket on the ground.
3. Stop the engine and move the pilot control shut-off lever to the "LOCKED" position.
4. Place a container for drain oil under drain plug (1) at the rear lower part of swing reduction unit.  
Container: 1.6 L (0.4 Gal) or more
5. Remove level gauge (2) and refill the specified gear oil to the specified quantity.  
When the oil level is within the specified range of the scale of level gauge (2), it is proper.  
For the specified gear oil, see "LUBRICANT, FUEL & COOLANT SPECIFICATIONS" in Chapter 4.
6. Attach level gauge (2).



### 4.19.3 REPLACING OIL IN TRAVEL REDUCTION UNITS



#### HANDLING OF OIL IMMEDIATELY AFTER OPERATION

- Immediately after operation, the oil is hot and it may cause burns. Start working after the temperature goes down.
- Pressure may be generated inside the traveling devices. Slowly loosen the plug to release the internal pressure.

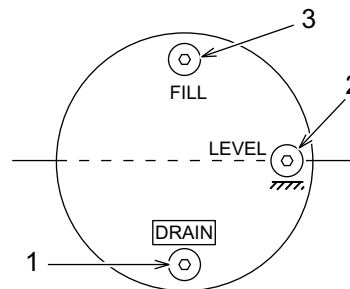
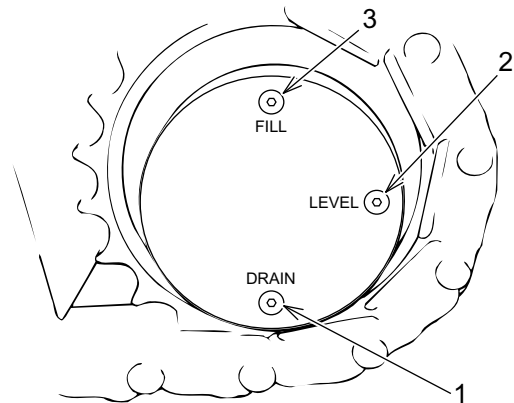
#### Notice

Replace the oil after 500 hours of operation has been reached for the first time.

#### Notice

- Check the drain oil, and if metal chips or powder is found in the oil, contact your KOBELCO authorized dealer.
- Dispose of the drain waste oil properly as industrial waste.

1. Move the machine to a level and firm place.
2. Stop the machine at a position in which drain plug (1) is positioned at the lower side and lower the bucket to the ground.
3. Stop the engine and move the pilot control shut-off lever to the "LOCKED" position.
4. Place a container for drain oil under drain plug (1).  
Container: 2.1 L (0.6 Gal) x 2 or more
5. Remove drain plug (1), level plug (2) and fill plug (3) and drain oil in the container.
6. After draining the oil completely, clean drain plug (1) with light oil and attach it in place.
7. Refill the specified gear oil from the hole of fill plug (3) until the oil comes out from level plug (2).  
For the specified gear oil, see "LUBRICANT, FUEL & COOLANT SPECIFICATIONS" in Chapter 4.
8. Clean level plug (2) and fill plug (3) with light oil and install them.
9. Similarly, replace the oil of the travel reduction unit on the other side.





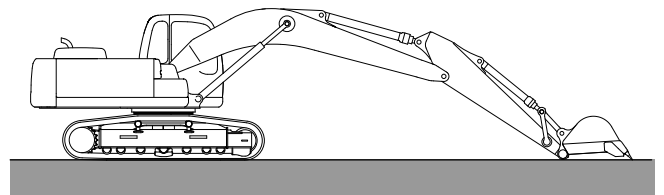
## 4.19.4 CLEANING SUCTION STRAINER



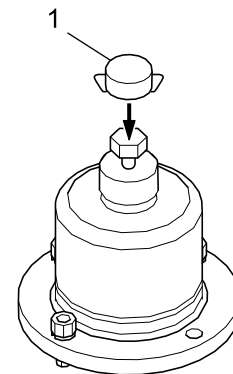
## HANDLING OF HYDRAULIC OIL TANK

- The oil in the hydraulic oil tank is under high pressure and high temperature.
- Before removing the cover, stop the engine first, remove the breather cap, press the valve, and release the pressure from the tank.
- Immediately after engine operation, the oil is hot and it may cause burns. Wait until the oil temperature cools down before attempting to change the hydraulic oil.

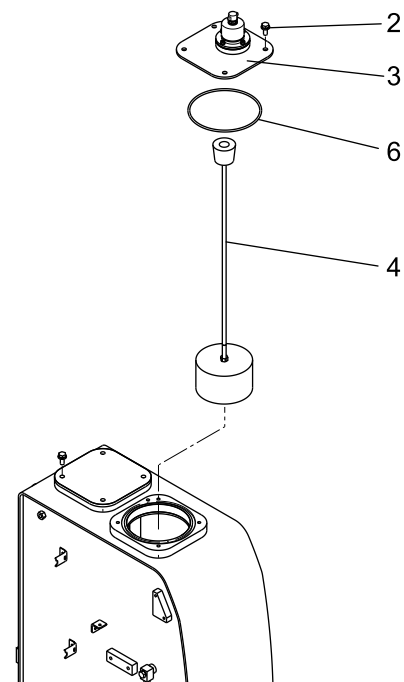
1. Move the machine to a level and firm place.
2. Park the machine in the hydraulic oil inspection position.
3. Stop the engine and move the pilot control shut-off lever to the "LOCKED" position.
4. Clean the area around the cover to keep the hydraulic oil tank away from foreign materials.



5. Remove breather cap (1) on the top of the hydraulic oil tank and keep pressing the valve until the pressure inside the hydraulic oil tank is released.



6. Remove bolt (2) and cover (3) on the tank upper surface.

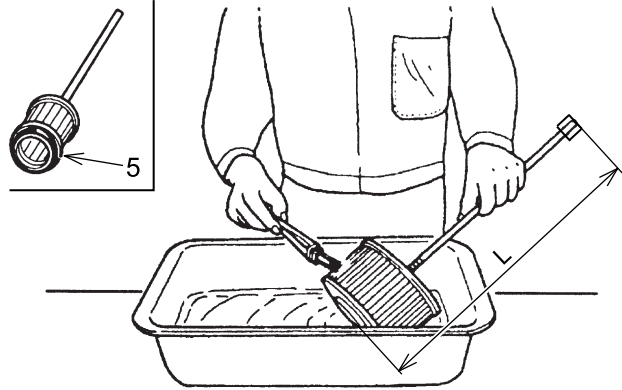


**Notice**

Do not drop bolts or others into the tank.

---

7. Take out suction strainer (4).
8. Clean suction strainer (4) with light oil or cleaning solvent, dry it well and check it for damage. If damaged significantly, replace the strainer with a new one.  
L: 796±1mm(31.3±0.04 inch)
9. Check O-rings (5) and (6) on the bottom of the strainer, and if wear or damage is found, replace it with a new one.
10. Insert suction strainer (4) into the hydraulic oil tank.



11. Install cover (3) with bolt (2).  
Tightening Torque: 46.5±4.6N·m(34.3±3.4lbf·ft)
12. Start the engine, run it at low idle for several (5 to 7) minutes. After that, extend and retract each cylinder and swing the machine.
13. Park the machine in the hydraulic oil level inspection position, stop the engine and check the oil level. If the oil level is low, refill the hydraulic oil.

## 4.19.5 GREASING SWING REDUCTION UNIT



### WARNING

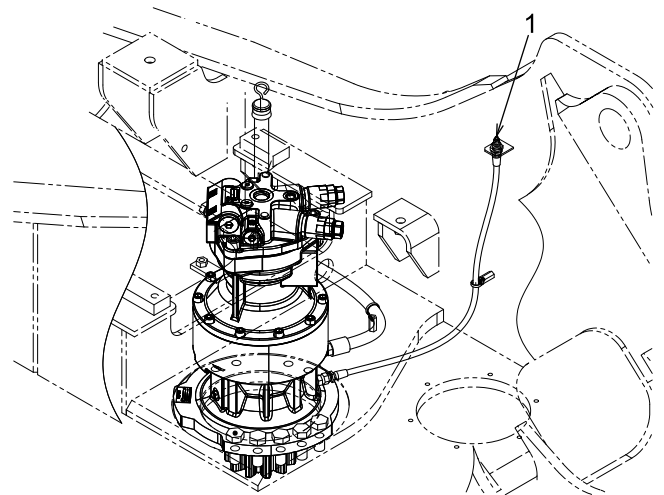
#### HANDLING IMMEDIATELY AFTER OPERATION

Immediately after operation, each part is hot and it may cause burns. Start working after the temperature goes down.

### Notice

When the grease is applied too much, it may cause damages to the seals of the bearing. Do not apply the grease too much.

1. Move the machine to a level and firm place.
2. Put the bucket on the ground.
3. Stop the engine and move the pilot control lock lever to the "LOCKED" position.
4. Apply grease to grease nipple (1).  
Refill the grease by using a hand pump.



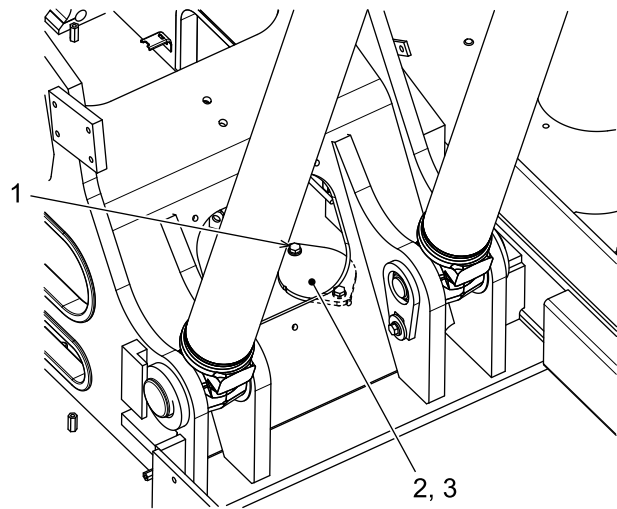
## 4.19.6 CHECKING GREASE IN SWING GREASE BATH

### Notice

- When grease quality deteriorates, it can cause damage on the pinion shaft of the swing reduction unit and the swing bearing.  
When the swing bearings gears are damaged or the grease is deteriorated and needs to be replaced, contact your KOBELCO authorized dealer.  
Because the upper structure needs to be disassembled to replace grease for the swing grease bath, contact your KOBELCO authorized dealer.
- Do not reuse the removed packings (3) and (7) and be sure to replace them with new ones.

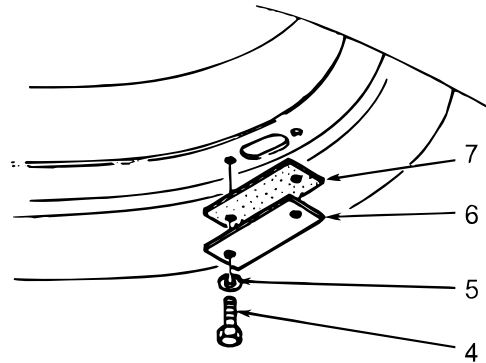
1. Loosen bolt (1) at the forward side of the upper structure, and remove cover (2) and packing (3) for inspection.

2. After inspection, replace with new packing (3), and after cleaning cover (2), apply Loctite #572 and then install it.



3. If water is deposited, loosen bolt (4) and spring washer (5) in the lower side of the lower frame, and remove cover (6) and packing (7) to drain the water. The grease may become white due to slight contamination of water.

If water contamination is found, replace the grease with new grease after sucking the old grease by using a grease vacuum pump.



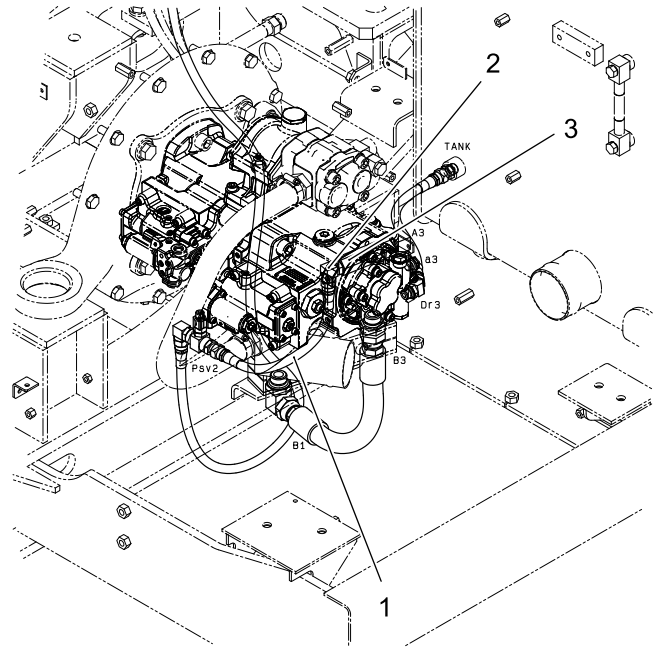
### 4.19.7 CLEANING PILOT LINE FILTER

**CAUTION**

Immediately after operation, hot hydraulic oil may spout and cause burns.  
Wait until the oil temperature cools down before attempting to clean the pilot line filter.

Before performing the work, wait until the internal pressures of hydraulic oil tank and hydraulic system are released.

1. Open the side cover next to the pump and take out hose (1), connector (2) and line filter (3).
2. Clean line filter (3) with light oil and install it.



## 4.20 5000 HOUR INSPECTION & MAINTENANCE PROCEDURES

Thoroughly read and understand "SAFETY PRECAUTIONS" of this manual before performing the inspection and maintenance.

Perform this section together with "EVERYDAY CHECK-UP and 50, 100, 120, 250, 500, 1000, and 2000 HOUR INSPECTION & MAINTENANCE PROCEDURES".

### 4.20.1 REPLACING HYDRAULIC OIL

---



#### HANDLING OF HYDRAULIC OIL TANK AND OIL

- The oil in the hydraulic oil tank is under high temperature and high pressure and it is dangerous. Before removing the cover, stop the engine first, remove the breather cap, press the valve, and release the pressure from the tank.
  - Immediately after engine operation, the oil is hot and it may cause burns. Wait until the oil temperature cools down before attempting to replace the hydraulic oil.
- 
- 

#### Notice

When the hydraulic breaker is installed, the deterioration of the hydraulic oil is faster than that of the normal bucket digging work. See "PERIODIC INSPECTION AND MAINTENANCE OF NIBBLER (CRUSHER) AND BREAKER" in chapter 7 to maintain the hydraulic oil.

---

---

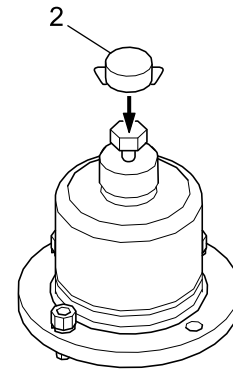
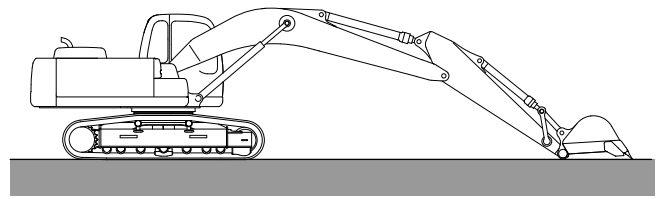
#### Notice

- Dispose of the drain waste oil properly as industrial waste.
- 

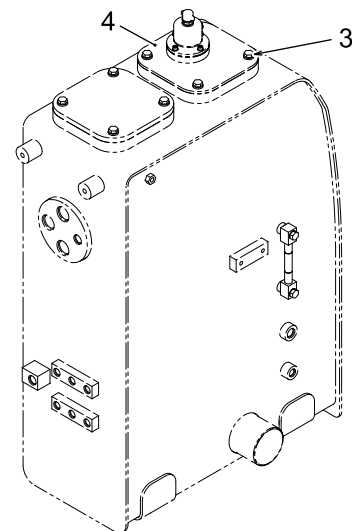
1. Move the machine to a level and firm place.
2. Swing the upper structure so that drain plug (1) on the bottom of hydraulic oil tank is positioned to the midpoint of right and left track crawler frames.



3. Retract the arm cylinder and bucket cylinder and place the bucket and dozer (if equipped) on the ground.
4. Stop the engine and move the pilot control shut-off lever to the "LOCKED" position.
5. Clean the surface around the cover to keep foreign materials away from the hydraulic oil tank.
6. Remove breather cap (2) on the top of the hydraulic oil tank and keep pressing the valve until the pressure inside the hydraulic oil tank is released.



7. Remove bolt (3) and cover (4) on the tank upper surface.



**IMPORTANT**

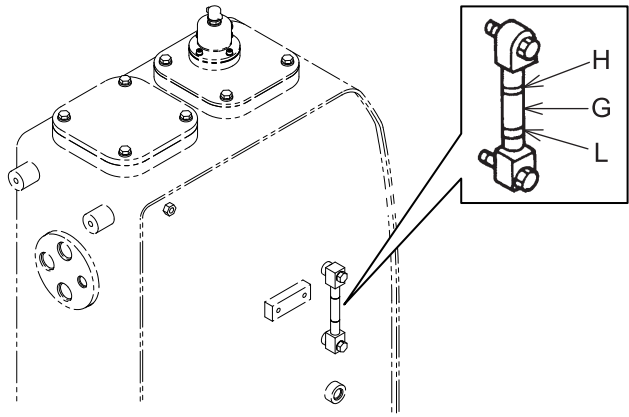
Do not drop bolts or others into the tank.

8. Place a container for drain oil under drain plug (1) on the bottom of the hydraulic oil tank.
9. Loosen drain plug (1) slowly and drain hydraulic oil completely.
10. Clean drain plug (1) and install it in place.  
Tightening Torque:  $108 \pm 10 \text{ N} \cdot \text{m}$  ( $79.7 \pm 7.4 \text{ lbf} \cdot \text{ft}$ )



## [4. INSPECTION AND MAINTENANCE]

11. Refill hydraulic oil through filler port on the top of the hydraulic oil tank.  
Pour the oil while checking the oil level with level gauge (G).
12. Attach filler port cover (4) with four bolts (3).  
Tightening torque:  $46.5 \pm 4.6 \text{ N}\cdot\text{m}$  ( $34.3 \pm 3.4 \text{ lbf}\cdot\text{ft}$ )
13. Start the engine, run it at low idle for several (5 to 7) minutes. After that, extend and retract each cylinder and swing the machine.
14. Set the machine in the hydraulic oil level inspection again, stop the engine and check the oil level. If the oil level is low, refill the hydraulic oil.





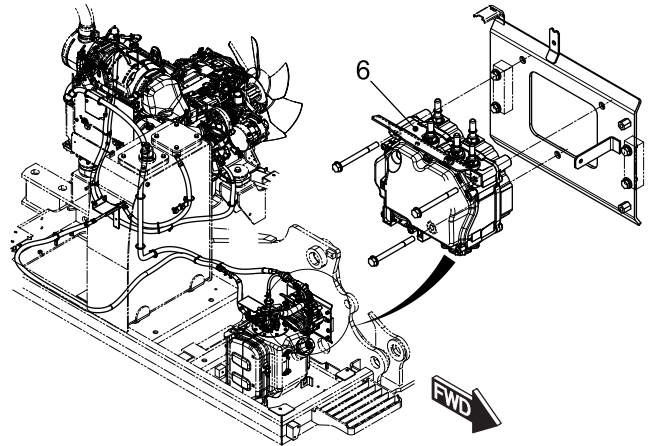
## 4.20.2 REPLACING DEF/ADBLUE SUPPLY MODULE FILTER

**CAUTION**

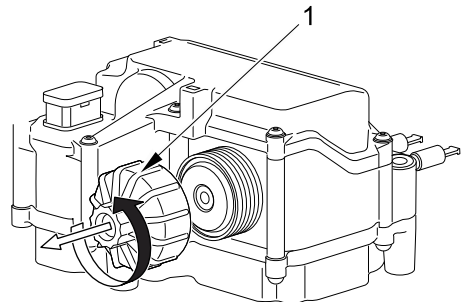
- Do not reuse the filter element, O-ring and gasket.
- When replacing the O-ring or gasket, check the fitting condition at the mounting surface to prevent it from being twisted and broken.

Contact your KOBELCO authorized dealer for the replacement of DEF/AdBlue supply module filter.  
Before replacing the filter, stop the engine and wait about 30 minutes.

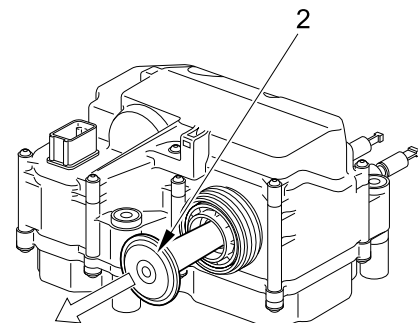
1. DEF/AdBlue supply module (6) is mounted to the upper frame on the right side of the machine.  
A: Filter side
2. When there is a cover around the pump, remove it.
3. When replacing the filter, DEF/AdBlue may spill. Prepare a container to catch DEF/AdBlue under pump (6) and cloth to wipe off DEF/AdBlue.



4. Turn filter cover (1) of the pump to remove it.  
Wrench size: 27mm (1.063inch)



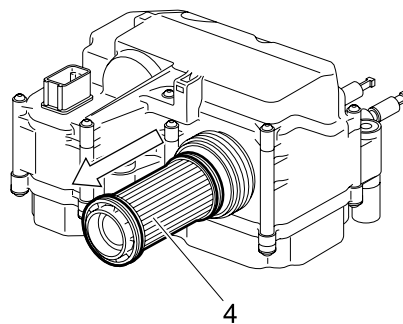
5. Remove equalizing filter (2).



## [4. INSPECTION AND MAINTENANCE]

---

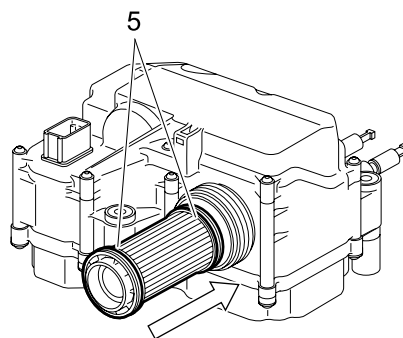
6. Remove filter (4).



7. Apply DEF/AdBlue slightly to new O-ring (5) and attach it on new filter (4).  
Follow the precautions of DEF/AdBlue handling.

8. Attach filter (4) and equalizing filter (2) to pump (6).

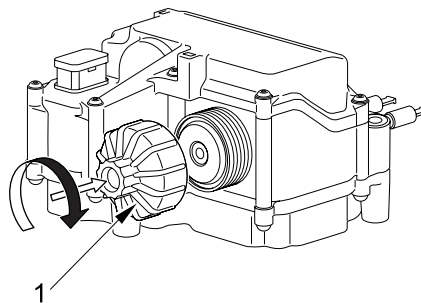
9. Remove the dirt and foreign materials from the mounting surfaces of filter cover (1) and the supply module.



10. Attach filter cover (1) with a wrench.

Tightening Torque: 20 to 25 N·m (15 to 18 lbf·ft)

11. When the cover was removed, attach it in place.



---

### CAUTION

After the operation, make sure that DEF/AdBlue is not leaking from the area around the DEF/AdBlue supply module, DEF/AdBlue tank, DEF/AdBlue piping and muffler.

---

# 5. TRANSPORTATION



## 5.1 TRANSPORTATION

When transporting the machine, observe the transportation related regulations and transport the machine dealer.

### 5.1.1 STRICTLY OBSERVE TRANSPORTATION RELATED REGULATIONS

When transporting the machine, contact the transportation company to which you have ordered transportation and check the local regulations.

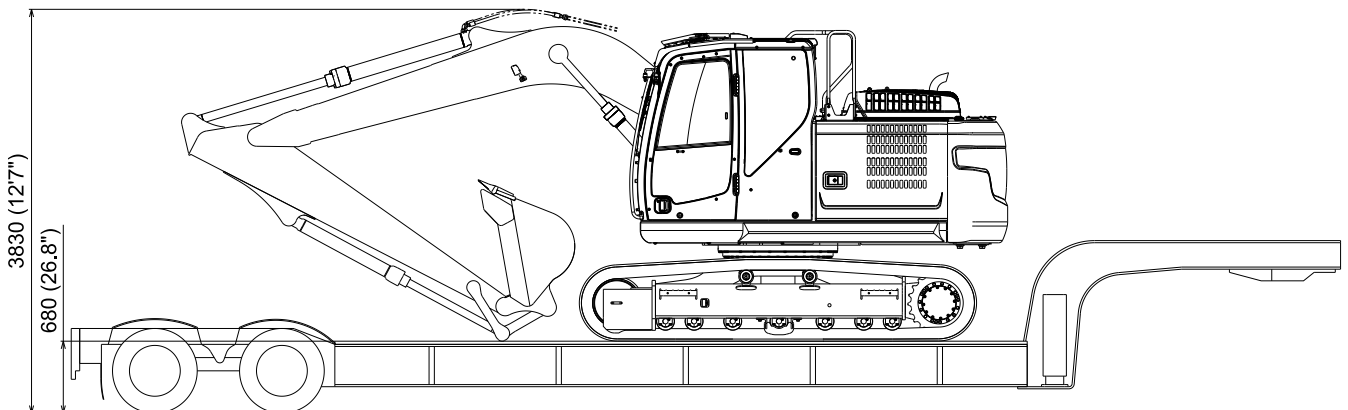
- When transporting this machine with a trailer, etc., consider the width, height, length and mass of the machine. The transportation mass and dimension vary depending on the type of shoe and the specifications of the attachment.
- Refer to masses and dimensions described in "SPECIFICATIONS" and "OPTIONAL EQUIPMENT" in this manual to select the proper transportation method.
- Perform a previous inspection on the route such as limitations on width, height and mass (weight) of vehicles and traffic regulations, etc.



#### CONTROL PATTERNS OF THE CONTROL LEVERS

Before operation, be sure to pay attention to the surroundings and operate each control lever slowly and confirm that each motion is in accordance with the control pattern indicated on the label. When it is not matched, replace the label with the proper label matching with the actual motion.

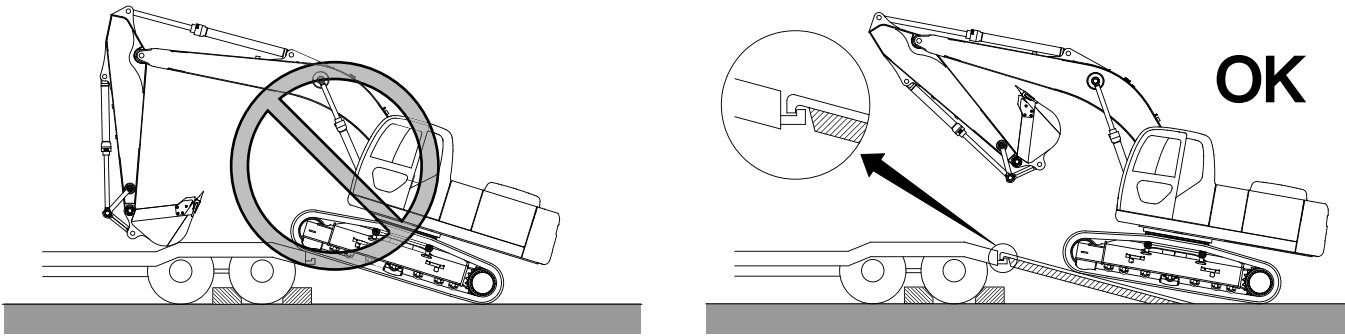
In addition, see "PRECAUTIONS FOR OPERATIONS" in Chapter 1 for precautions regarding operations.



The dimensions and weight are 2.84 m (9'-4") for the arm, 0.38 m<sup>3</sup>(0.50 cu·yd) bucket, and 4.68 m (15'-4") boom specification.

MODEL	OVERALL LENGTH	OPERATING MASS		
		500 mm (19.7")	600 mm (23.6")	700 mm (27.6")
SK130LC-11	7,810 mm (25'7")	14,500kg (31,970 lbs)	14,700kg (32,410 lbs)	14,900kg (32,850 lbs)
SK130LC-11(WITH DOZER)	8,070 mm (26'6")	15,300 kg (33,740 lbs)	15,500 kg (34,180 lbs)	15,800 kg (34,840 lbs)

## 5.2 LOADING/UNLOADING THE MACHINE



### **WARNING**

#### Loading/unloading the machine

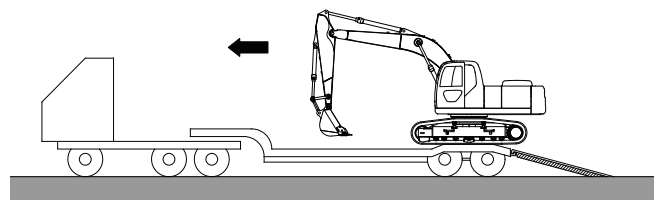
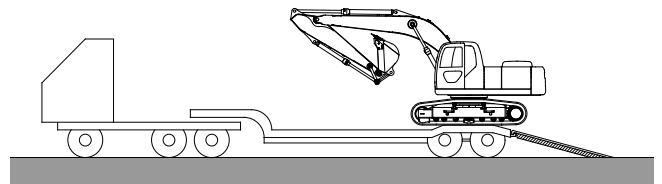
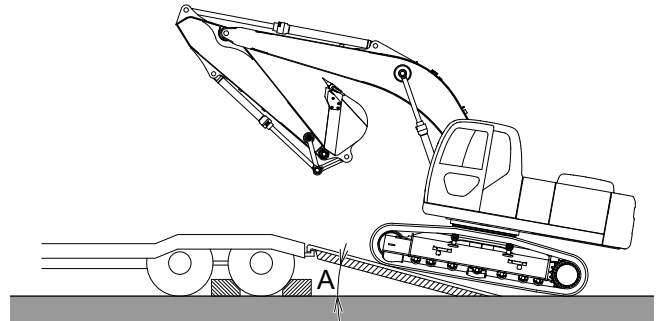
- Load/unload the machine on a level and hard ground.
- Use ramps, platforms, and embankment with sufficient width, length, slope, rigidity, and strength.
- Remove mud and dirt of the undercarriage to prevent the machine from skidding on the ramp. In addition, remove any deposit on the ramp including water, snow, ice, grease, and oil.
- When loading or unloading the machine, set engine speed to LOW and travel speed select switch to LOW (1st) speed.
- Do not use the attachment for loading and unloading the machine to avoid danger.
- Use only the travel levers when the machine is on ramps.
- When going over the ramp top to/from a trailer, the machine may lose balance due to an abrupt change in the center of gravity. Be sure to travel slowly.
- Be sure to turn the auto acceleration switch to the "OFF" position. When the machine is operated with the auto acceleration turned to the "ON" position, the engine speed may change abruptly.
- Do not make a turn on the ramp to avoid tipping. Make a turn after returning to the ground or the trailer bed.
- When the machine is going down a slope or being loaded on or unloaded from the trailer, set the LOW (1st)/HIGH (2nd) travel speed select switch to LOW.  
Since the LOW (1st)/HIGH (2nd) automatic travel speed select switching system automatically changes the traveling speed, it may adversely affect machine control when the machine is going down a slope or being loaded on or unloaded from the trailer. This abrupt change of machine control may cause severe accidents.
- Perform loading and unloading the machine according to the guidance of a signal person.

## 5.2.1 LOADING

Use the following procedure.

### WHEN USING A RAMP

1. Chock the trailer tires to prevent the trailer from moving.
2. Use a ramp with sufficient length, width, strength and gradient. Install the ramp so its angle (A) to the ground is 15 degrees or less.
3. Start the engine, and move down the control lock lever to the "UNLOCKED" position.
4. On the switch box, press the travel speed select switch to set it to the LOW (1st) speed.
5. Make sure the machine position is aligned to the ramp before going up on the ramp, raise the dozer (if installed), and travel slowly.

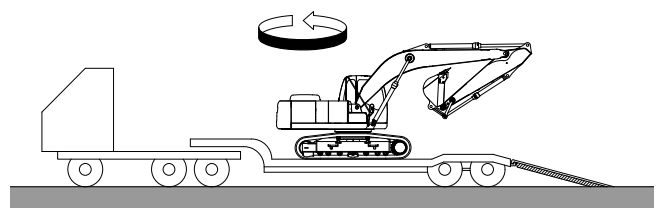


### **CAUTION**

When this machine is traveling up or down the ramp, fold the arm and attachment and raise the boom to avoid interference with the ramp or trailer bed, as shown in the figure.

When the clearance between the ramp or the trailer bed is insufficient, the machine may abruptly lean to one side when it goes over the ramp top, and strike its arm or bucket cylinder against the trailer bed, ramp, or ground, resulting in damage to the cylinder.

6. When the machine comes to the required position, slowly swing the upper structure 180 degrees.
7. Lower the attachment/equipment slowly.
8. Move the control lock lever to the "LOCKED" position.
9. Stop the engine and remove the starter key.
10. Lock the lock devices such as guards and doors.

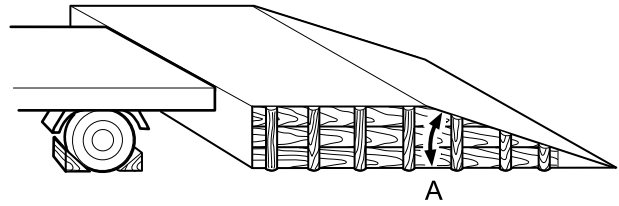


## [5. TRANSPORTATION]

---

### WHEN USING PLATFORM OR EMBANKMENT

1. Make the embankment wide enough to the machine width. The angle (A) of the platform or embankment to the ground should be 15 degrees or less.
2. Check that the embankment is sufficiently sturdy to hold the machine weight.
3. The surface of the platform or embankment must be level to that of the trailer bed.
4. Park the trailer properly at the required position.



### LOADING A MACHINE WITHOUT ATTACHMENT/EQUIPMENT

---

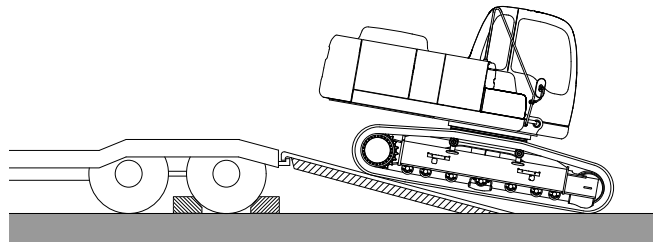


#### DO NOT SWING

Do not swing the machine during loading and unloading the machine. It may cause the machine to tip/roll over to the counterweight side.

---

- When loading a machine without an attachment/equipment, adjust the travel direction so the counterweight comes to the top of the slope.





## 5.2.2 FIXING THE MACHINE

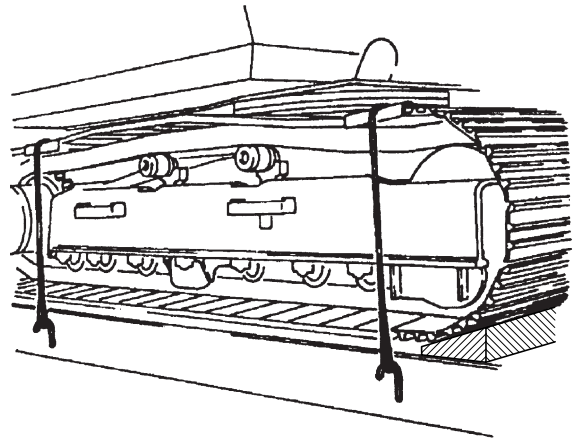
### Notice

- Retract the radio antenna in before transportation. In addition, remove the mirrors if required. Store the removed parts securely in the cab.
- Place a wood block under the bucket (attachment) link to avoid contacting the ground and protect the bucket cylinder from being damaged during transportation.

After loading the machine on the required position, fix the machine by the following procedures.

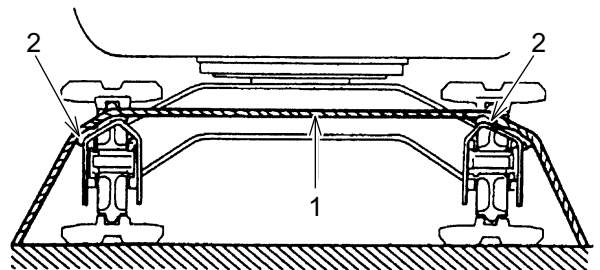
### CRAWLER

1. Check that all guards and doors are locked.
2. Chock the front and rear of the crawlers and fix the machine securely with wire ropes of appropriate strength to prevent the body from moving back and forth or rolling by vibration of the trailer. In addition, secure individual parts and removed parts securely on the trailer.



### RUBBER CRAWLER AND PAD SHOE

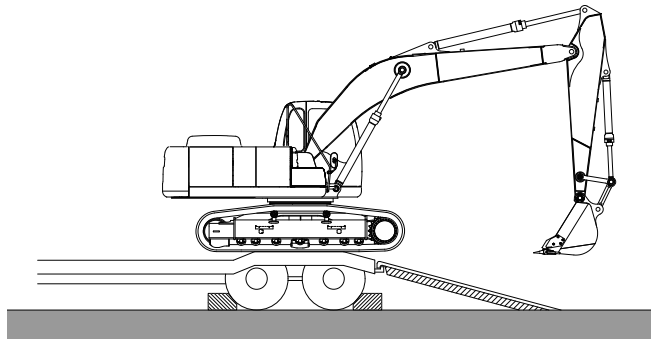
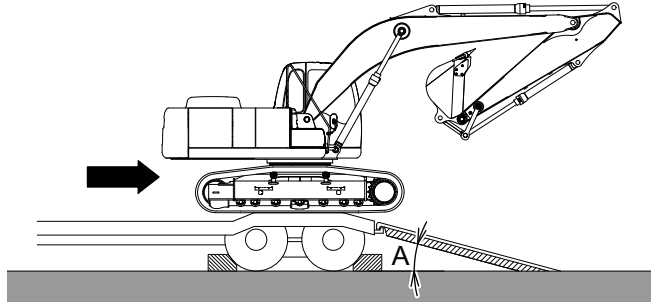
1. Check that all guards and doors are locked.
2. Chock the front and rear of the crawlers and fix the machine securely with wire ropes of appropriate strength to prevent the body from moving back and forth or rolling by the vibration of the trailer. In addition, secure individual parts and removed parts securely on the trailer.  
Do not directly apply the wire rope (1) on the rubber crawler or the pad shoe. Place pads (2) (such as soft cloth) at the left and right of the crawler frame to fix the rope securely on the loading platform of the truck.



### 5.2.3 UNLOADING

Use the following procedure.

1. Chock the trailer tires to prevent the trailer from moving.
2. Use ramps with sufficient length, width, strength and gradient. Attach the ramps so its angle (A) to the ground is 15 degrees or less.
3. Remove chains or wire ropes that have been fixing the machine.
4. Start the engine, and move down the pilot control shut-off lever to the "UNLOCKED" position.
5. On the switch box, press the travel speed select switch to set it to the LOW (1st) speed.
6. Raise the boom slowly.
7. Raise the attachment. With the arm retracted to under the boom, raise the dozer (if equipped) and travel slowly.
8. Level the machine at the rear end of the trailer and stop temporarily.
9. Make sure the machine position is aligned parallel to the ramps, and adjust the angle between the arm and boom to 80 to 100 degrees.

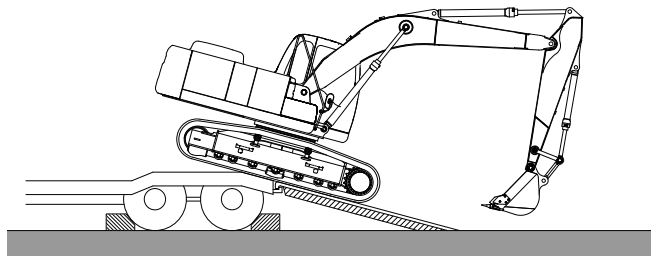


#### **CAUTION**

When this machine is traveling up or down the ramp, fold the arm and attachment and raise the boom to avoid interference with the ramp or trailer bed, as shown in the figure.

When the clearance between the ramp or the trailer bed is insufficient, the machine may abruptly lean to one side when it goes over the ramp top, and strike its arm or bucket cylinder against the trailer bed, ramp, or ground, resulting in damage to the cylinder.

10. Until the machine completely passes through the ramps, travel down the ramps slowly with moving the boom and the arm slowly to keep the bucket close to the ground so that it can be lowered to the ground in an emergency.
11. Slowly swing the upper structure 180 degrees to take the front traveling position (so the travel reduction unit comes to the rear).

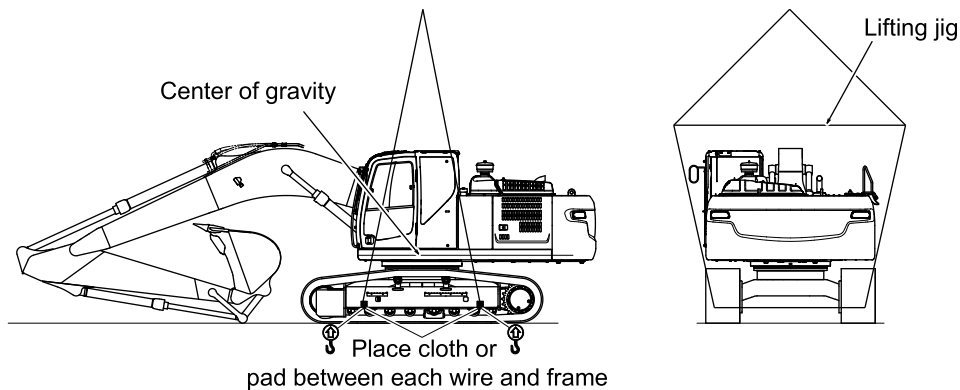


## 5.3 MACHINE LIFTING



### MACHINE LIFTING

- Wire ropes or other lifting tools used should have no damage nor deterioration, but have sufficient strength and length.
- With improper method of lifting and placing wire ropes, the lifted machine may move, causing personal injury or damage to the machine.
- Be careful not to apply a load suddenly to the wire ropes and the lifting tools.
- When lifting the machine, evacuate from the areas surrounding the machine. At the time of lifting, unexpected movement of the machine can occur.
- During the machine lifting operation, keep away from the area around and under the machine.
- When lifting the machine as a group work, surely send and receive signals to each other.
- Do not lift the machine with a worker on it.
- Keep the machine horizontal when lifting it.



### Notice

- This lifting procedures are applicable for machines in a standard specification. In the actual lifting operation, the weight and center of gravity of the machine as well as the strength of the wire ropes and sling jigs must be checked. For details, contact KOBELCO or your KOBELCO authorized dealer.
- Use wire ropes and sling jigs with a sufficient length to avoid contact with the machine during the lifting operation.
- When necessary, cover the wire ropes with a cloth or pad to protect the machine body from damage.

### 5.3.1 LIFTING PROCEDURES

1. Move the machine to a level place.
2. Fully extend the arm cylinder and the bucket cylinder of the attachment/equipment, and lower the boom to place the attachment/equipment on the ground.
3. Align the orientation of the cab and the crawlers in parallel.
4. Move the pilot control shut-off lever to the "LOCKED" position, stop the engine, and pull out the starter key.
5. Close the front window and the window glasses of the cab, the cab door, the left and right side doors, and the engine hood and then lock them.
6. Pass the wire ropes through the spaces between the first lower roller and the second lower roller at the front and rear sides of the machine.
7. Adjust the sling angle of the wire rope to 20 to 30 degrees and then lift the machine.
8. Lift the machine and after the machine leaves the ground, stop the movement, wait until the machine is stabilized, and then slowly lift up the machine.

## 5.4 INSTALLING AND REMOVING MIRROR

When the machine is shipped from a factory, the mirrors are not installed.

When removing and installing the mirrors, see “ADJUSTMENT OF MIIRRORS” in Chapter 3.

## 5.5 TOWING THE MACHINE

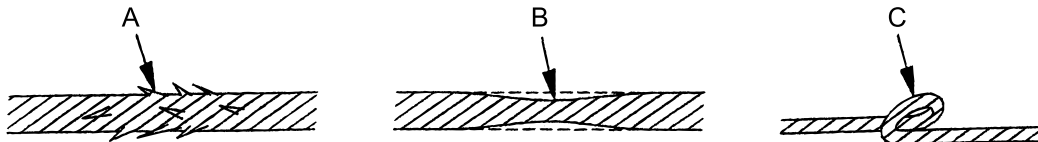


### READ THE OPERATOR'S MANUAL

Read, understand and follow the safety messages and instructions in this manual. If these safety messages are not followed, serious injury or death could occur.

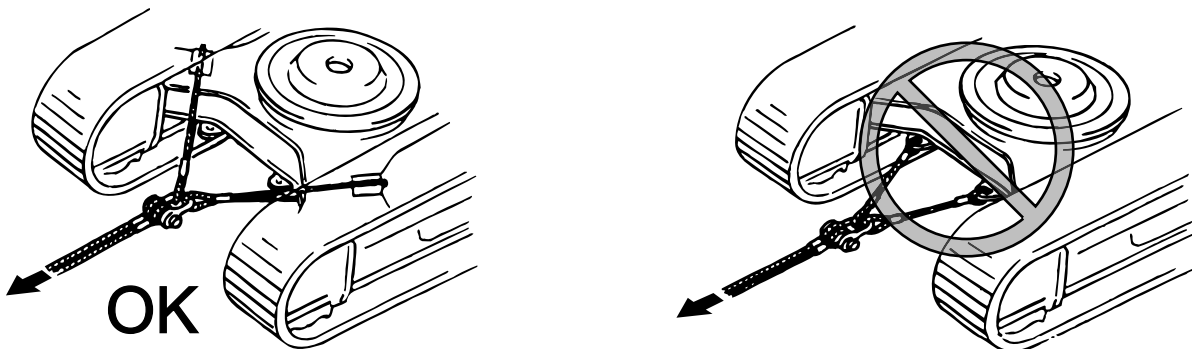
To prevent serious injury or death from improper towing methods.

- Always wear leather gloves when handling wire ropes.
- Check the wire rope to be used for towing is strong enough to tow the weight of your machine.
- Never use a wire rope which has cut strands (A), reduced diameter (B), kinks (C) or other visible damage or the wire rope may break while towing.
- Never tow the machine across a slope.
- Never stand between the towing machine and the machine or object that is being towed.
- To prevent damage to the wire ropes, place pads between the wire ropes and edges of the lower frame.
- Do not shock load the wire ropes. Tow slowly and avoid sudden load changes to the wire ropes.
- Shackles must be used for towing.



### 5.5.1 TOWING METHOD OF THE MACHINE

- Only tow the machine if absolutely necessary, e.g. moving the machine to a safe location for repair.
- If the machine cannot travel under its own power, attach wire ropes that are strong enough to tow your machine to the positions on the lower frame as shown. Never use the lower frame holes for towing. Then tow the machine using another machine.
- Keep the wire ropes level and keep both machines in a straight line when towing as shown in the figure.
- In case of towing needing to disengage the travel motor brakes, chock both track crawlers securely to prevent the machine from moving uncontrollably before disengaging the travel motor brakes.



## 6. SPECIFICATION





## 6.1 GENERAL SPECIFICATIONS

### 6.1.1 SK130LC-11

Item		Unit	SK130LC-11
Operating mass		kg (lb)	14,700 (32,410)
Bucket capacity		m <sup>3</sup> (cu·yd)	0.38 (0.50)
Engine name		—	ISUZU AR-4JJ1 diesel engine
Engine rated power	ISO 9249 : With fan	kW/min <sup>-1</sup> (hp/rpm)	78.6/2,200 (105/2,200)
	ISO 14396 : Without fan		86.0/2,200 (115/2,200)
A	Overall length	mm (ft.in.)	7,810 (25'7")
B	Overall height	mm (ft.in.)	3,130 (10'3")
C	Overall width	mm (ft.in.)	2,590 (8'6")
D	Track shoe width (Grouser shoe)	mm (inch)	600 (23.6")
E	Cab height	mm (ft.in.)	2,920 (9'7")
F	Minimum ground clearance (excluding lug height)	mm (inch)	445 (17.5")
G	Tail swing radius	mm (ft.in.)	2,190 (7'2")
H	Crawler overall length	mm (ft.in.)	3,770 (12'4")
I	Tumbler center distance	mm (ft.in.)	3,040 (9'12")
J	Clearance height under upper structure (excluding lug height)	mm (inch)	915 (36.0")
K	Overall width of upper structure	mm (ft.in.)	2,490 (8'2")
L	Crawler overall width	mm (ft.in.)	2,590 (8'6")
Ground contact pressure		kPa(psi)	36 (5.2)
Swing speed		min <sup>-1</sup> (rpm)	11.0 (11.0)
Travel speed (low/high)		km/h(mph)	3.4/5.6 (2.1/3.5)
Gradeability		% (deg)	70 (35)

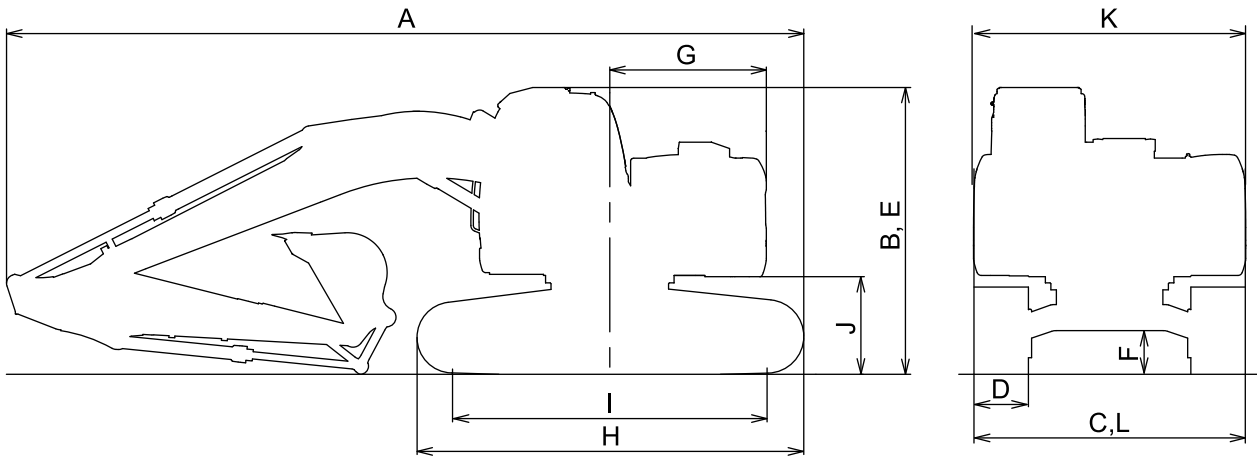
#### Notice

General specifications indicate the specifications of standard machine with the 4.68 m (15'4") boom and the 2.84 m (9'4") arm.

Bucket capacity is indicated by ISO.

[6. SPECIFICATION]

---



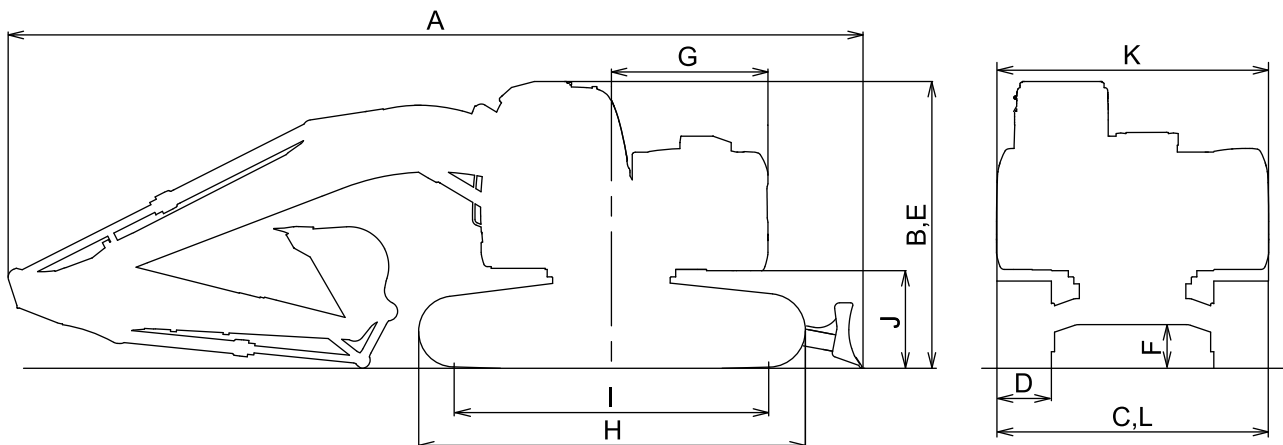
## 6.1.2 SK130LC-11 (WITH DOZER)

	Item	Unit	SK130LC-11
	Operating mass	kg (lb)	15,500 (34,180)
	Bucket capacity	m <sup>3</sup> (cu·yd)	0.38 (0.50)
	Engine name	—	ISUZU AR-4JJ1 diesel engine
	Engine rated power	ISO 9249 : With fan	kW/min <sup>-1</sup> (hp/rpm)
		ISO 14396 : Without fan	
			78.6/2,200 (105/2,200)
			86.0/2,200 (115/2,200)
A	Overall length	mm (ft.in.)	8,070 (26'6")
B	Overall height	mm (ft.in.)	2,950 (9'8")
C	Overall width	mm (ft.in.)	2,590 (8'6")
D	Track shoe width (Grouser shoe)	mm (inch)	600 (23.6")
E	Cab height	mm (ft.in.)	2,920 (9'7")
F	Minimum ground clearance (excluding lug height)	mm (inch)	410 (16.1")
G	Tail swing radius	mm (ft.in.)	2,190 (7'2")
H	Crawler overall length	mm (ft.in.)	3,780 (12'5")
I	Tumbler center distance	mm (ft.in.)	3,040 (9'12")
J	Clearance height under upper structure (excluding lug height)	mm (inch)	915 (36.0")
K	Overall width of upper structure	mm (ft.in.)	2,590 (8'6")
L	Crawler overall width	mm (ft.in.)	2,590 (8'6")
	Ground contact pressure	kPa(psi)	39 (5.7)
	Swing speed	min <sup>-1</sup> (rpm)	11.0 (11.0)
	Travel speed (low/high)	km/h(mph)	3.4/5.6 (2.1/3.5)
	Gradeability	% (deg)	70 (35)

**Notice**

General specifications indicate the specifications of standard machine with the 4.68 m (15'4") boom and the 2.84 m (9'4") arm.

Bucket capacity is indicated by ISO.



## 6.2 SHOE TYPES AND USES

### Notice

- Never use the shoes other than the grouser shoe of 600 mm (23.6") in the working site where a lot of rocks, debris, and/or downed trees exist.  
Traveling and digging work in the working site where a lot of rocks, debris, and/or downed trees exist could cause bending of shoes and looseness of shoe bolts and also cause damages to other travel system components (link, roller, etc.).
- The attachment is with a 2.84m(9'4") arm and a 0.38m<sup>3</sup>(0.50cu·yd) (heaped) bucket.
- The dimensions marked with \* do not include height of shoe lug.

### 6.2.1 SK130LC-11

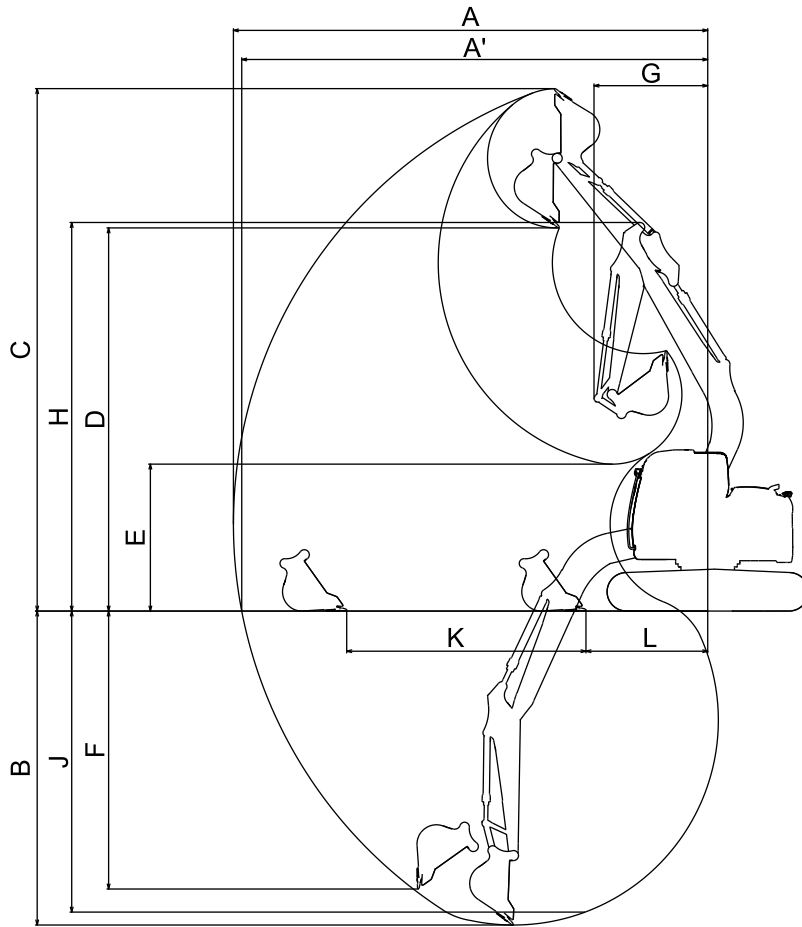
Type		Grouser shoe		
		500 (19.7")	600 (23.6")	700 (27.6")
Use		For soft soil	For ordinary soil	For soft soil
		(Option)	(Standard)	(Option)
Body specification	Operating mass kg (lb)	14,500 (31,970)	14,700 (32,410)	14,900 (32,850)
	Machine mass kg (lb)	11,400 (25,140)	11,700 (25,800)	11,900 (26,240)
	Cab height mm (ft-in)	2,920 (9'7")	←	←
	*Minimum ground clearance mm (inch)	* 445 (17.5")	←	←
	Crawler overall length mm (ft-in)	3,770 (12'4")	←	←
	Crawler overall width mm (ft-in)	2,490 (8'2")	2,590 (8'6")	2,690 (8'10")
	Ground contact pressure kPa (psi)	43 (6.2)	36 (5.2)	32 (4.6)

## 6.2.2 SK130LC-11 (WITH DOZER)

Type		Grouser shoe		
		500 (19.7")	600 (23.6")	700 (27.6")
Use		For soft soil	For ordinary soil	For soft soil
		(Option)	(Standard)	(Option)
Body specification	Operating mass kg (lb)	15,300 (33,740)	15,500 (34,180)	15,800 (34,840)
	Machine mass kg (lb)	11,600 (25,580)	11,800 (26,020)	12,000 (26,460)
	Cab height mm (ft-in)	2,920 (9'7")	←	←
	*Minimum ground clearance mm (inch)	* 410 (16.1")	←	←
	Crawler overall length mm (ft-in)	3,780 (12'5")	←	←
	Crawler overall width mm (ft-in)	2,490 (8'2")	2,590 (8'6")	2,690 (8'10")
	Ground contact pressure kPa (psi)	45 (6.5)	39 (5.7)	34 (4.9)

## 6.3 WORKING RANGES

### 6.3.1 BACKHOE ATTACHMENT



Types of Attachment		2.84 m (9'4") Arm 0.38m <sup>3</sup> (0.50 cu-yd) Bucket
Item		
A	Maximum digging reach	8,780 (28' 10")
A'	Maximum reach at ground reference plane	8,620 (28' 3")
*B	Maximum digging depth	5,980 (19' 7")
*C	Maximum height of cutting edge	8,750 (28' 8")
*D	Maximum dumping height	6,380 (20' 11")
*E	Minimum dumping height	1,840 (6' 0")
*F	Vertical digging depth	4,910 (16' 1")
G	Minimum swing radius	2,840 (9' 4")
*H	Height at minimum swing radius	6,590 (21' 7")
*J	Eight feet level digging depth	5,780 (18' 12")
K	Horizontal digging stroke at ground level	Stroke
L		At minimum
		4,680 (15' 4")
		2,100 (6' 11")

**Notice**

The dimensions marked with \* do not include height of shoe lug.

---

## 6.4 ATTACHMENT TYPE AND COMBINATION

### 6.4.1 FRONT VARIATION

- When a bucket with large capacity is used, it should be used in combination with a short arm so that the machine is stabilized and excessive load to the front part and the cylinders can be avoided.
  - When a long boom or arm is used, it should be used in combination with a bucket with small capacity.
- 



#### **WARNING**

#### INTERFERENCE BY FRONT ATTACHMENT

Check clearance between the front attachment and the operator's station and other parts of the machine before starting operation because a certain kinds of front attachment and combination of the options installed on the base machine may cause the front attachment to interfere with the operator's station or other parts of the machine.

---

#### **Notice**

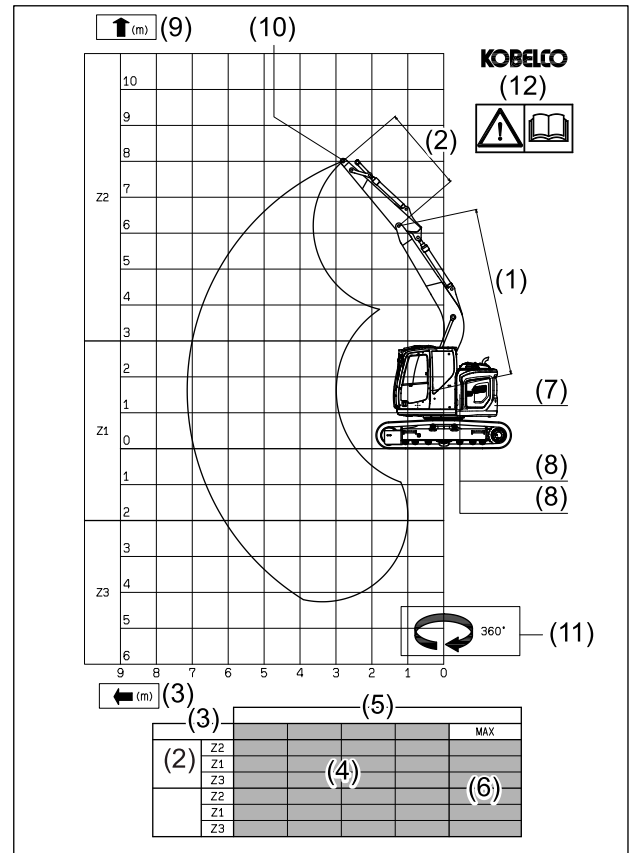
- Some installed attachments may cause failures of this machine or the attachment/equipment, voiding the manufacturer's warranty.  
Contact your KOBELCO authorized dealer for the attachment to be installed.
  - Before using an inversely installed bucket, check that it does not interfere with the arm because interference can occur during operation and cause damage.
-



## 6.5 LIFTING CAPACITY

### 6.5.1 EXPLANATION OF FIGURE

- (1) Boom length
- (2) Arm length
- (3) Distance of load from swing center line
- (4) Maximum load (ton) according to tipping limit based on ISO010567 (stability 75 % and hydraulic system 87 %)
- (5) Maximum load at each working range from axis of swing
- (6) Maximum load at maximum working range from axis of swing
- (7) Counterweight
- (8) Set pressure of main relief valve/ holding valve in hydraulic system
- (9) Height of working range
- (10) Lift point (axis)
- (11) Axis of rotation
- (12) Model name



#### Notice

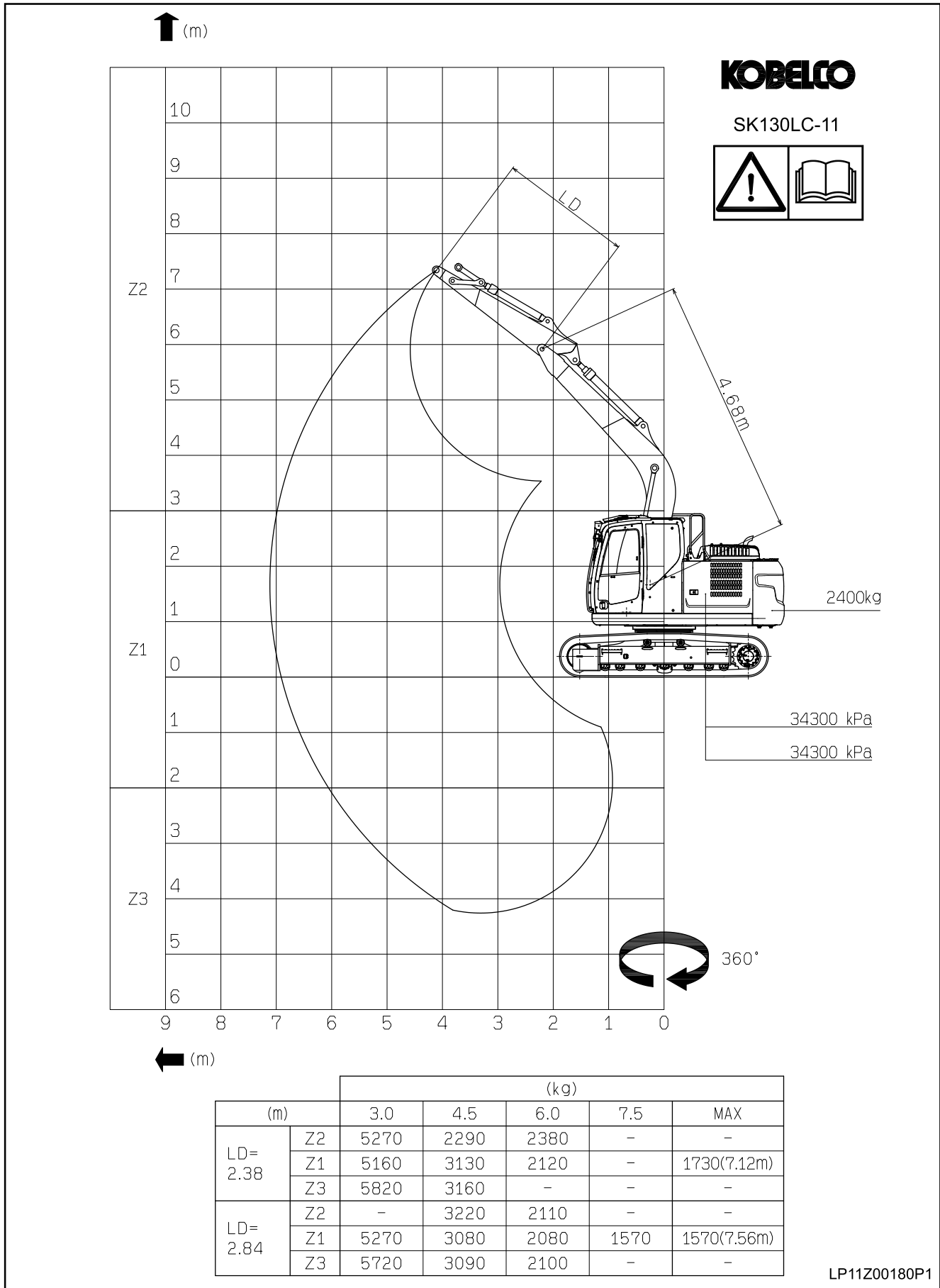
#### Work conditions

- With no front attachment installed (bucket, clamshell, or others).  
When lifting a load with the front attachment installed, the weight of the front attachment shall be deducted from the values of this table.
- With a fully retracted bucket cylinder
- On a firm and level ground
- In full swing position

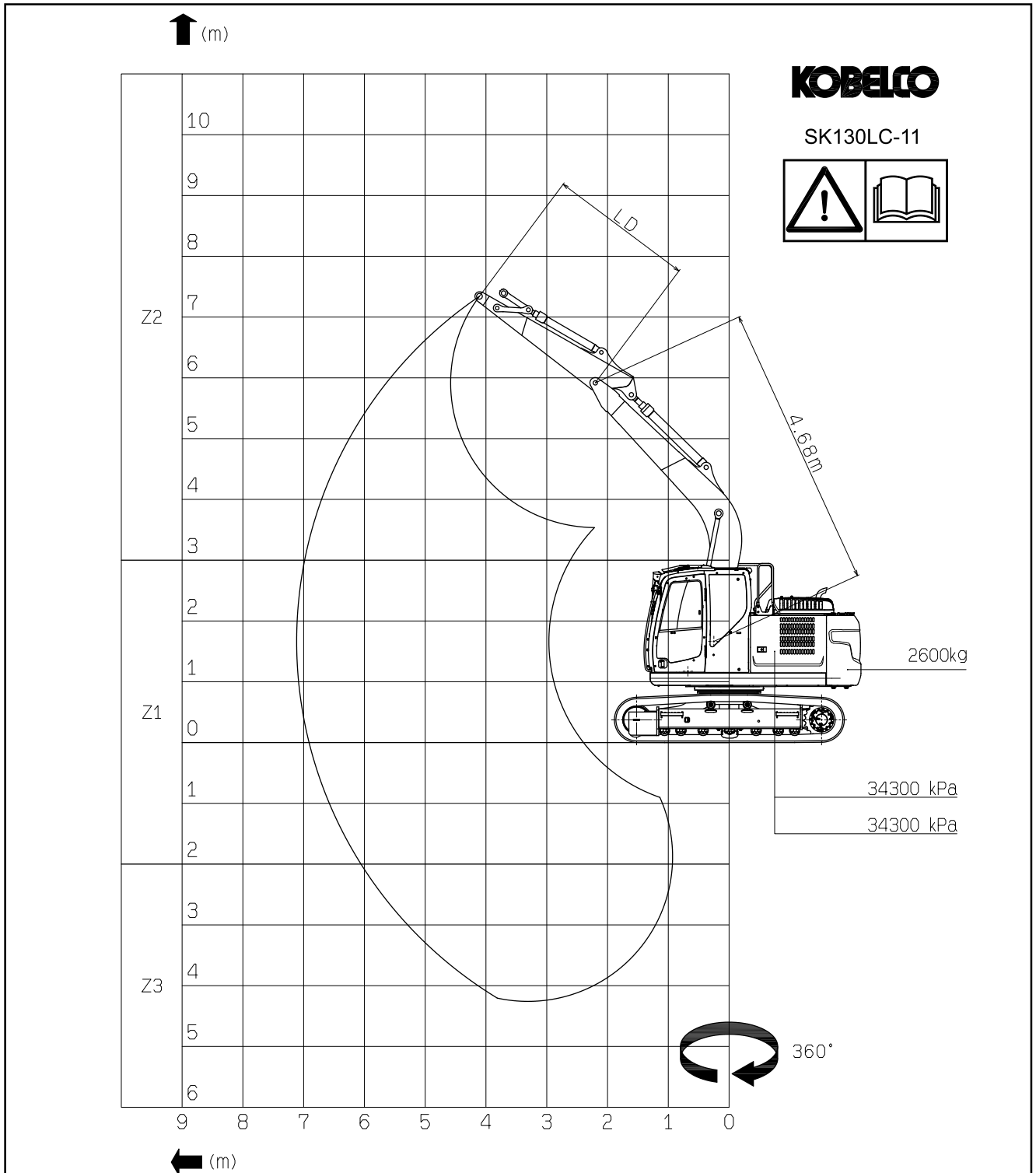
#### Loads on table

The loads on the table are valid for the work height of range (Z) considered in accordance with an intended distance from the axis of rotation.

6.5.2 SK130LC-11



6.5.3 SK130LC-11



**KOBELCO**

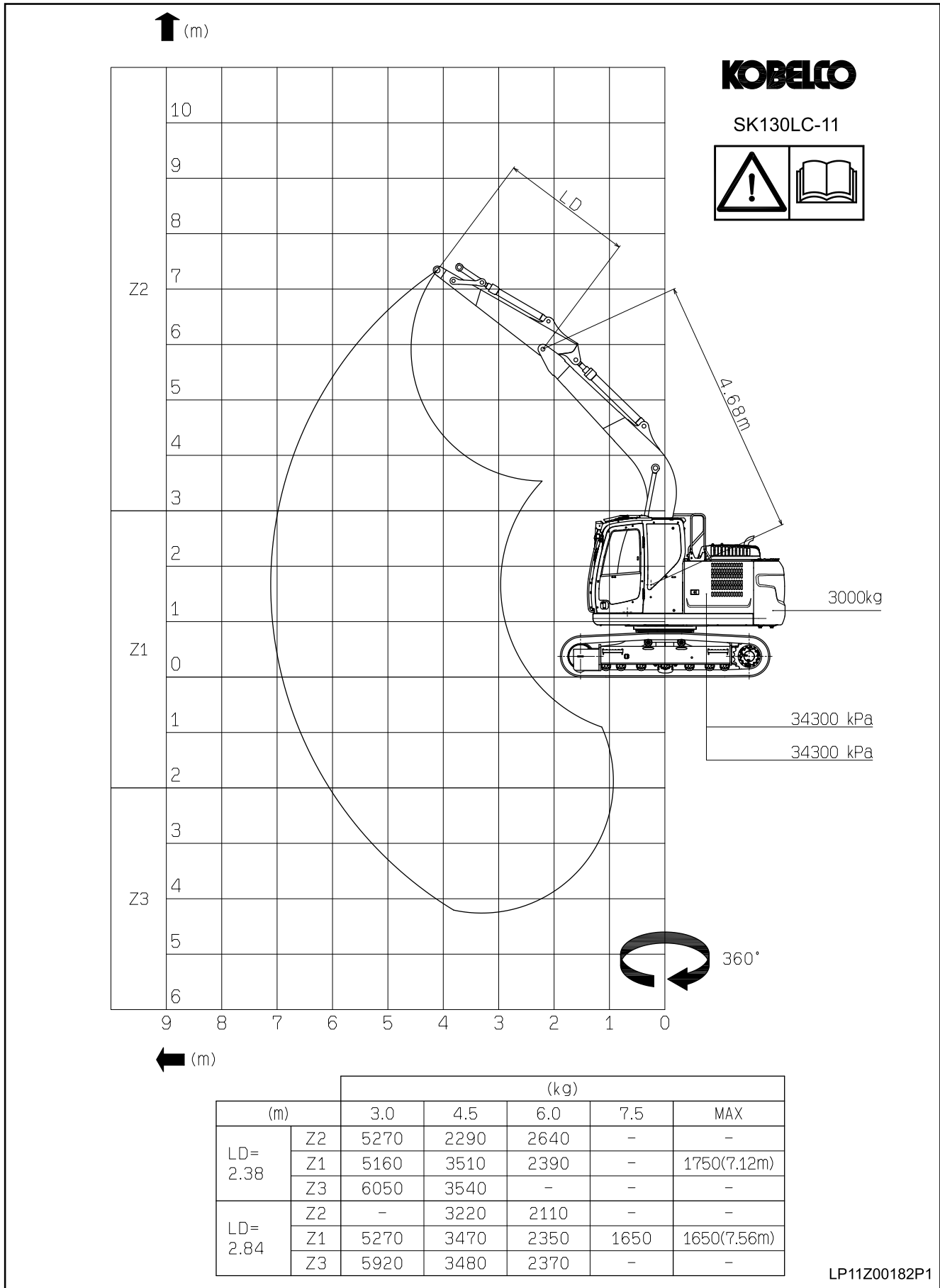
SK130LC-11



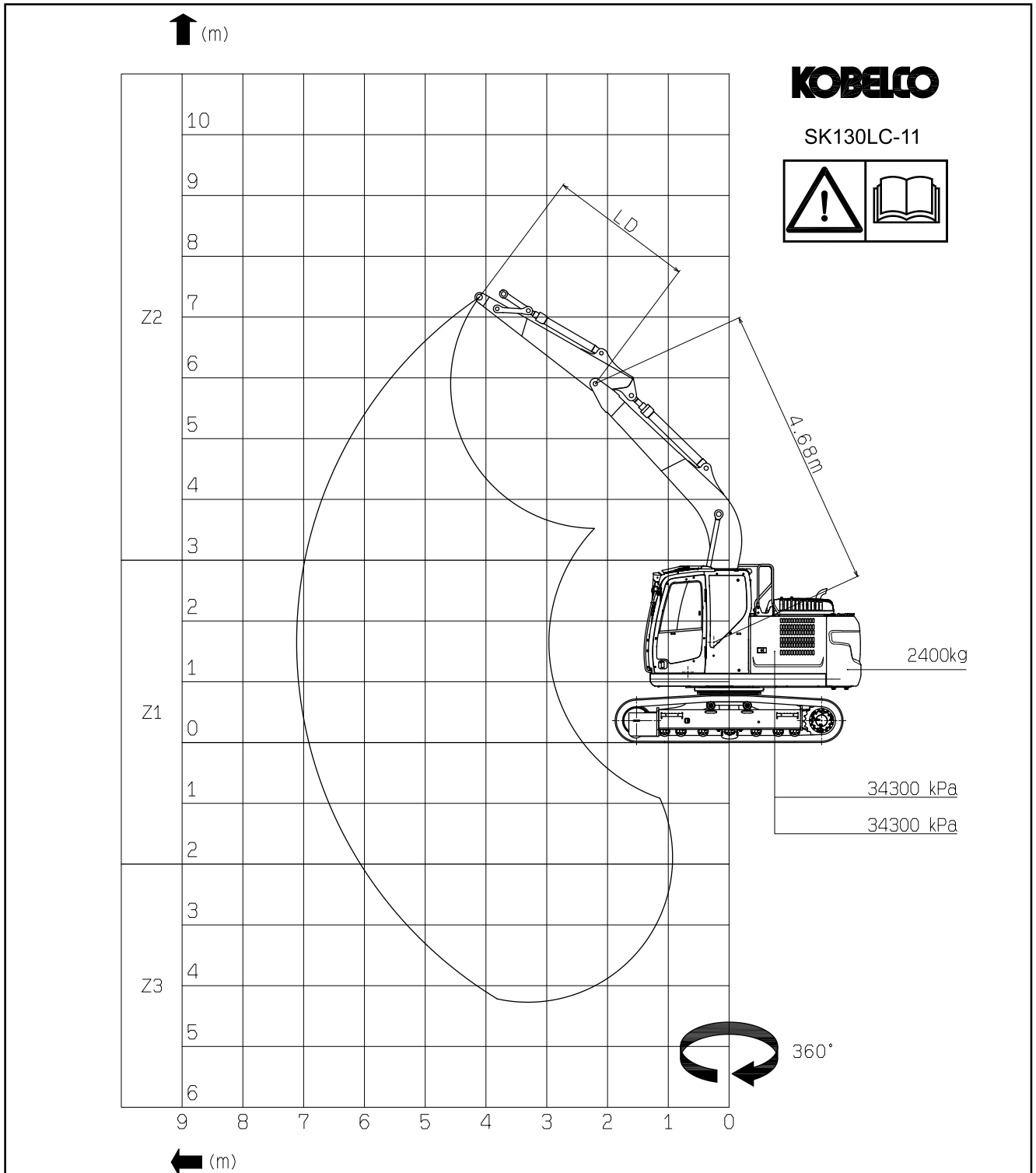
		(kg)				
		3.0	4.5	6.0	7.5	MAX
LD= 2.38	Z2	5270	2290	2470	-	-
	Z1	5160	3260	2210	-	1750(7.12m)
	Z3	6050	3290	-	-	-
LD= 2.84	Z2	-	3220	2110	-	-
	Z1	5270	3210	2170	1640	1640(7.56m)
	Z3	5920	3220	2190	-	-

LP11Z00181P1

6.5.4 SK130LC-11



6.5.5 SK130LC-11



**KOBELCO**

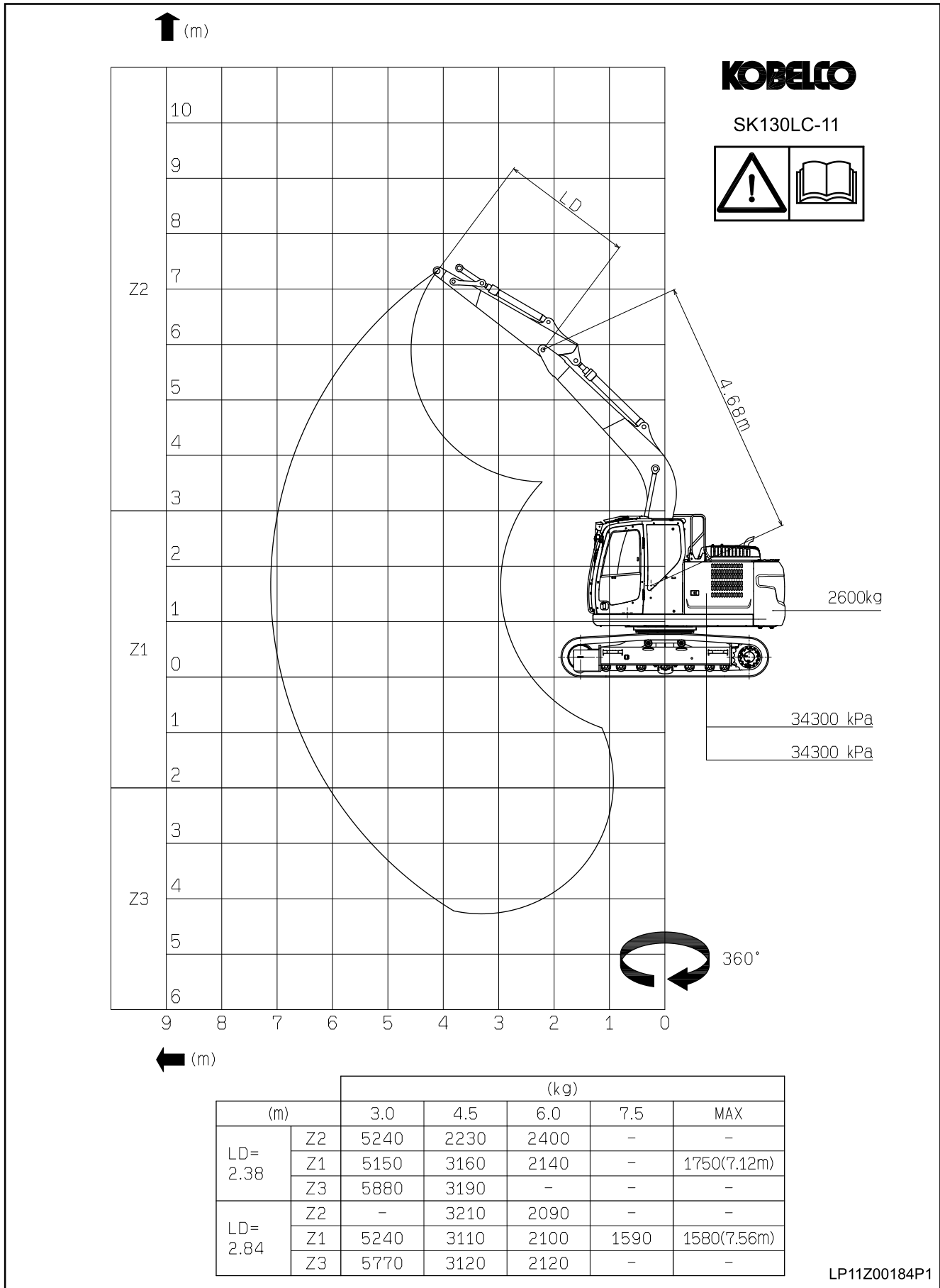
SK130LC-11



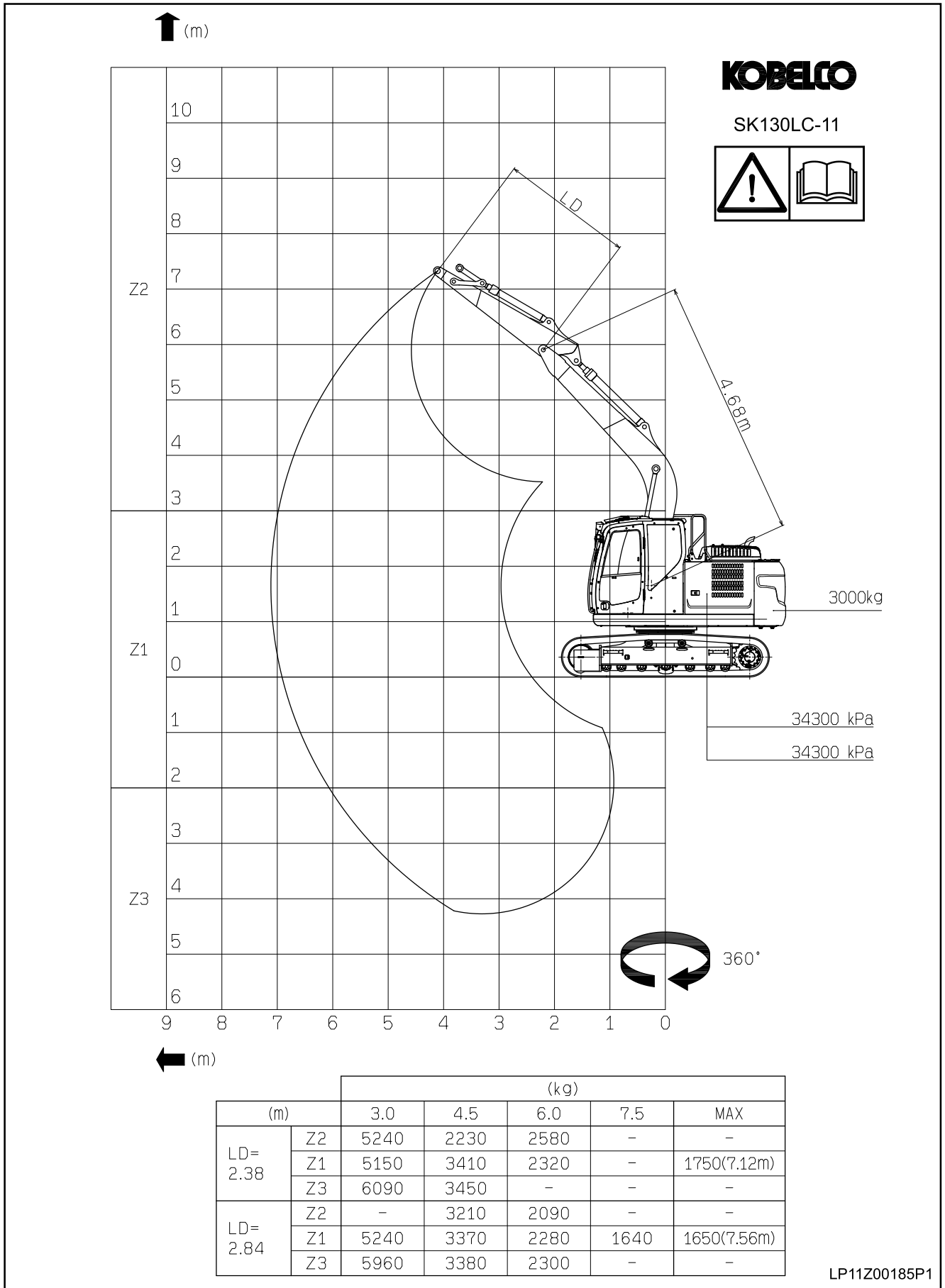
(m)		(kg)				
		3.0	4.5	6.0	7.5	MAX
LD= 2.38	Z2	5240	2230	2310	-	-
	Z1	5150	3030	2050	-	1680(7.12m)
	Z3	5650	3060	-	-	-
LD= 2.84	Z2	-	3210	2090	-	-
	Z1	5240	2990	2010	1520	1520(7.56m)
	Z3	5550	3000	2030	-	-

LP11Z00183P1

6.5.6 SK130LC-11



6.5.7 SK130LC-11







# 7. MACHINE OPERATION MANAGEMENT SYSTEM



## 7.1 MACHINE OPERATION MANAGEMENT SYSTEM

- Machine Operation Management System is the system that manages information, such as the operating information and failure of the hydraulic excavator.
- To use this system, communication contract is required. Consult your KOBELCO authorized dealer for the contract.

---

### **WARNING**

#### ABOUT DISASSEMBLY AND REPAIR

Never disassemble or repair the communication controller or transceiving antenna of this system. Do not pinch the cable or pull it by force and damage it. This may cause a failure or fire of the machine.

---

### **CAUTION**

- Electromagnetic waves generated from the components of this system may adversely affect the medical electric devices, such as cardiac pacemaker device.  
When using medical electric devices while operating the machine, use extreme caution and consult the manufacturers of the medical electric devices in advance.
  - Do not spill water over the cable and the components of this system. This may cause a failure of the machine.
- 

### **Notice**

- Installation and removal of the components and the cable of this system is performed by your KOBELCO authorized dealer.
  - The communication controller of this system does not require inspection and operation.
- 

### **Notice**

- Because this system uses wireless signals, it cannot be used in a place where no radio wave reaches (in the mountains, inside a building, in a tunnel, etc.), in a place of weak radio wave, or outside the communication area. When making the contract, check the communication area with your KOBELCO authorized dealer.
  - This system consumes very little electricity even when the starter switch is OFF (turned off).  
For a long term storage of the machine, see "PRECAUTIONS FOR LONG-TERM STORAGE" in Chapter 3.
  - The built-in battery for communication controller needs to be replaced every year. For replacement, contact your KOBELCO authorized dealer.
-

## 7.2 REMOTE DOWNLOAD SYSTEM

This system sometimes automatically renews (downloads) the software of the controller in this machine. At that time, the instruction will appear on the monitor, so that operate the jog dial.

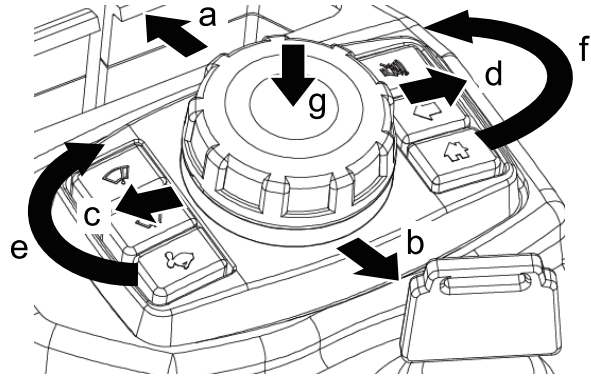
### Jog dial operation

#### Tilting (a,b,c,d) and rotating (e,f) the jog dial

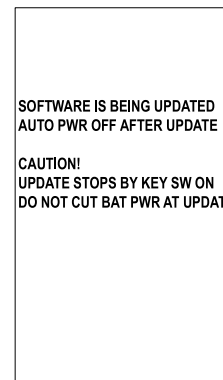
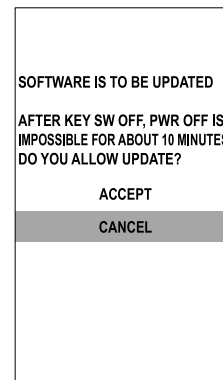
To move the cursor on the monitor and adjust the values and others.

#### Pushing down (g) the jog dial

- To switch the screen to the selected setting screen.
- To determine the adjusted value and others.



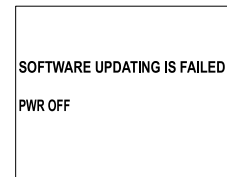
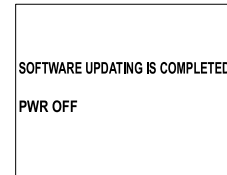
1. If update of the software is possible, when the starter switch is turned to the "ON" or "START" position and the engine is started, the following selection screen appears on the monitor.
2. Using the jog dial, move the cursor to [ACCEPT].
3. Push down (g) the jog dial to set preparation of update. (At this time, the updating of the software does not start)
4. Then the screen returns to the normal screen, so that continue the machine operation.
5. Then, turn the starter key to the "OFF" position to display the following screen on the monitor, and then the update of the software starts. The update takes almost 10 minutes.



### CAUTION

During the renewal of the software, do not turn OFF the battery power-off switch or remove the battery terminals. If the battery power is shut off during the renewal, it can damage the controller.

6. When the renewal is completed, the following screen appears on the monitor and the power turns OFF.  
The renewal of the software sometimes fails. At that time, the following screen appears on the gauge cluster and the power turns OFF.  
In that case, the next time the starter key turns "ON", the selection screen appears again.  
When the renewal of the software keeps failing, contact your KOBELCO authorized dealer.



**Notice**

- The renewal of the software is performed when required.
- The renewal of the software will not start when [CANCEL] is set, 30 seconds elapses with the selection screen displayed, or the control lock lever is moved to the "UNLOCKED" position, even if the starter key is turned "OFF".  
In that case, the next time the starter key turns "ON", the selection screen appears again.
- During the renewal of the software, if the starter key turns "ON", the renewal stops and the power turns OFF.  
In that case, the next time the starter key turns "ON", the selection screen appears again.
- If a certain period has passed after the selection screen appeared because [CANCEL] has been set repeatedly, the selection screen stops to appear and the renewal of the software is not performed.

## 7.3 DESCRIPTION OF BUILT-IN WIRELESS EQUIPMENT

### Apply Standard radio



Hereby, Japan Radio Co., LTD., declares that the radio equipment type JRN-130K is in compliance with Directive 2014/53/EU.

The full text of the EU declaration of conformity is available at the following internet address:

<http://www.jrc.co.jp/eng/product/support/documents.html>

С настоящото, Japan Radio Co., LTD., декларира, че този тип радиосъоръжение JRN-130K е в съответствие с Директива 2014/53/ЕС.

Цялостният текст на ЕС декларацията за съответствие може да се намери на следния интернет адрес:

<http://www.jrc.co.jp/eng/product/support/documents.html>

Tímto Japan Radio Co., LTD., prohlašuje, že typ rádiového zařízení JRN-130K je v souladu se směrnicí 2014/53/EU.

Úplné znění EU prohlášení o shodě je k dispozici na této internetové adrese:

<http://www.jrc.co.jp/eng/product/support/documents.html>

Hermed erklærer Japan Radio Co., LTD., at radioudstyrstypen JRN-130K er i overensstemmelse med direktiv 2014/53/EU.

EU-overensstemmelseserklæringens fulde tekst kan findes på følgende internetadresse:

<http://www.jrc.co.jp/eng/product/support/documents.html>

Hiermit erklärt Japan Radio Co., LTD., dass der Funkanlagentyp JRN-130K der Richtlinie 2014/53/EU entspricht.

Der vollständige Text der EU-Konformitätserklärung ist unter der folgenden Internetadresse verfügbar:

<http://www.jrc.co.jp/eng/product/support/documents.html>

Käesolevaga deklareerib Japan Radio Co., LTD., et käesolev raadioseadme tüüp JRN-130K vastab direktiivi 2014/53/EL nõuetele.

ELi vastavusdeklaratsiooni täielik tekst on kättesaadav järgmisel internetiaadressil:

<http://www.jrc.co.jp/eng/product/support/documents.html>

Με την παρούσα ο/η Japan Radio Co., LTD., δηλώνει ότι ο ραδιοεξοπλισμός JRN-130K πληροί την οδηγία 2014/53/ΕΕ.

Το πλήρες κείμενο της δήλωσης συμμόρφωσης ΕΕ διατίθεται στην ακόλουθη ιστοσελίδα στο διαδίκτυο:

<http://www.jrc.co.jp/eng/product/support/documents.html>

Por la presente, Japan Radio Co., LTD., declara que el tipo de equipo radioeléctrico JRN-130K es conforme con la Directiva 2014/53/UE.

El texto completo de la declaración UE de conformidad está disponible en la dirección Internet siguiente:

<http://www.jrc.co.jp/eng/product/support/documents.html>

Le soussigné, Japan Radio Co., LTD., déclare que l'équipement radioélectrique du type JRN-130K est conforme à la directive 2014/53/UE.

Le texte complet de la déclaration UE de conformité est disponible à l'adresse internet suivante:

<http://www.jrc.co.jp/eng/product/support/documents.html>

Il fabbricante, Japan Radio Co., LTD., dichiara che il tipo di apparecchiatura radio JRN-130K è conforme alla direttiva 2014/53/UE.

Il testo completo della dichiarazione di conformità UE è disponibile al seguente indirizzo Internet:

<http://www.jrc.co.jp/eng/product/support/documents.html>

Ar šo Japan Radio Co., LTD. deklarē, ka radioiekārta JRN-130K atbilst Direktīvai 2014/53/ES.

Pilns ES atbilstības deklarācijas teksts ir pieejams šādā interneta vietnē:

<http://www.jrc.co.jp/eng/product/support/documents.html>

Aš, Japan Radio Co., LTD., patvirtinu, kad radijo įrenginių tipas JRN-130K atitinka Direktyvą 2014/53/ES.

Visas ES atitikties deklaracijos tekstas prieinamas šiuo interneto adresu:

<http://www.jrc.co.jp/eng/product/support/documents.html>

Japan Radio Co., LTD. ovime izjavljuje da je radijska oprema tipa JRN-130K u skladu s Direktivom 2014/53/EU.

Cjeloviti tekst EU izjave o sukladnosti dostupan je na sljedećoj internetskoj adresi:

<http://www.jrc.co.jp/eng/product/support/documents.html>

## [7. MACHINE OPERATION MANAGEMENT SYSTEM]

---

Japan Radio Co., LTD. igazolja, hogy a JRN-130K típusú rádióberendezés megfelel a 2014/53/EU irányelvnek.

Az EU-megfelelőségi nyilatkozat teljes szövege elérhető a következő internetes címen:

<http://www.jrc.co.jp/eng/product/support/documents.html>

B'dan, Japan Radio Co., LTD., niddikjara li dan it-tip ta' tagħmir tar-radju JRN-130K huwa konformi mad-Direttiva 2014/53/UE.

It-test kollu tad-dikjarazzjoni ta' konformità tal-UE huwa disponibbli f'dan l-indirizz tal-Internet li ġej:

<http://www.jrc.co.jp/eng/product/support/documents.html>

Hierbij verklaar ik, Japan Radio Co., LTD., dat het type radioapparatuur JRN-130K conform is met Richtlijn 2014/53/EU.

De volledige tekst van de EU-conformiteitsverklaring kan worden geraadpleegd op het volgende internetadres:

<http://www.jrc.co.jp/eng/product/support/documents.html>

Japan Radio Co., LTD. niniejszym oświadcza, że typ urządzenia radiowego JRN-130K jest zgodny z dyrektywą 2014/53/UE.

Pełny tekst deklaracji zgodności UE jest dostępny pod następującym adresem internetowym:

<http://www.jrc.co.jp/eng/product/support/documents.html>

O(a) abaixo assinado(a) Japan Radio Co., LTD. declara que o presente tipo de equipamento de rádio JRN-130K está em conformidade com a Diretiva 2014/53/UE.

O texto integral da declaração de conformidade está disponível no seguinte endereço de Internet:

<http://www.jrc.co.jp/eng/product/support/documents.html>

Prin prezenta, Japan Radio Co., LTD. declară că tipul de echipamente radio JRN-130K este în conformitate cu Directiva 2014/53/UE.

Textul integral al declarației UE de conformitate este disponibil la următoarea adresă internet:

<http://www.jrc.co.jp/eng/product/support/documents.html>

Japan Radio Co., LTD. týmto vyhlasuje, že rádiové zariadenie typu JRN-130K je v súlade so smernicou 2014/53/EÚ.

Úplné EÚ vyhlásenie o zhode je k dispozícii na tejto internetovej adrese:

<http://www.jrc.co.jp/eng/product/support/documents.html>



Japan Radio Co., LTD. potrjuje, da je tip radijske opreme JRN-130K skladen z Direktivo 2014/53/EU.

Celotno besedilo izjave EU o skladnosti je na voljo na naslednjem spletnem naslovu:

<http://www.jrc.co.jp/eng/product/support/documents.html>

Japan Radio Co., LTD. vakuuttaa, että radiolaitetyyppi JRN-130K on direktiivin 2014/53/EU mukainen.

EU-vaatimustenmukaisuusvakuutuksen täysimittainen teksti on saatavilla seuraavassa internetosoitteessa:

<http://www.jrc.co.jp/eng/product/support/documents.html>

Härmed försäkrar Japan Radio Co., LTD. att denna typ av radioutrustning JRN-130K överensstämmer med direktiv 2014/53/EU.

Den fullständiga texten till EU-försäkran om överensstämmelse finns på följande webbadress:

<http://www.jrc.co.jp/eng/product/support/documents.html>

Burada, Japan Radio Co., LTD., JRN-130K tipi radyo ekipmanının 2014/53 / EU sayılı Direktife uygun olduğunu beyan eder.

EU uyumu beyanının tam metni aşağıdaki internet adresinden edinilebilir:

<http://www.jrc.co.jp/eng/product/support/documents.html>

Herved Japan Radio Co., LTD., Erklærer at radioustyr typen JRN-130K er i samsvar med direktiv 2014/53 / EU.

Den fullstendige teksten i EU-erklæring er tilgjengelig på følgende internettadresse :

<http://www.jrc.co.jp/eng/product/support/documents.html>

## JRC

Japan Radio Co., LTD.

21-11, Mure 6-Chome, Mitaka-shi, Tokyo 181-0002, Japan

### Note

Importer's name and address will be officially listed on separate construction machine maker instruction manual.



## 8. OPTIONAL EQUIPMENT



## 8.1 OPERATION OF HYDRAULIC BREAKER AND NIBBLER (CRUSHER)

### 8.1.1 DO NOT USE FOR DEMOLITION OPERATION

Do not operate the machine with attachment/equipment (working tool - e.g.: processor or breaker) specifically designed to demolish, cut, loosen, separate, pick up, transport and distribute component parts of buildings, civil engineering structures.

Before you use this machine for demolition, please contact your KOBELCO authorized dealer.

### 8.1.2 SELECTION OF HYDRAULIC BREAKER AND NIBBLER (CRUSHER)

To install an optimal hydraulic breaker or nibbler (crusher) to the machine, select it considering stability of the machine, impact power, and a required hydraulic oil volume.

### 8.1.3 BEFORE OPERATING HYDRAULIC BREAKER

- Consult your KOBELCO authorized dealer for the additional piping work and reinforcement for the arm to install the hydraulic breaker or nibbler (crusher) to the machine.
- When using the nibbler (crusher) or hydraulic breaker, to get full performance of its function and avoid damage to the machine, nibbler (crusher) or hydraulic breaker, fully understand and read the operation manual of its manufacturer and "PROHIBITED WORK IN USE OF BREAKER" in Chapter 7.

### 8.1.4 PRECAUTIONS FOR IMPURITY AND HYDRAULIC OIL

When the hydraulic breaker or nibbler (crusher) is removed, apply plugs to the tube end of the tip of the arm and the hose end on the hydraulic breaker or nibbler (crusher) to keep them away from dust and water. Before operation, check for looseness of the bolts on the clamps fixing the tubes, and leakage from the connections of the tubes and hoses.

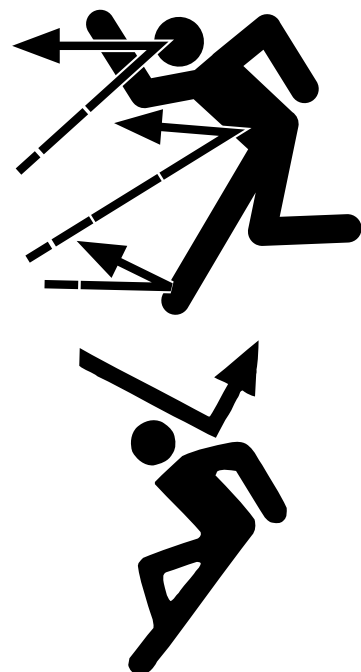
### 8.1.5 POTENTIAL HAZARDS WHEN OPERATING

#### PAY ATTENTION TO FALLING MATERIALS AND FLYING DEBRIS

Be sure to install the top guard and the front guard (option) when performing demolition works or works in the working sites (including mining and quarry sites) in which falling materials and/or flying debris can be generated .

- If working with the hydraulic breaker or other attachments, be sure to install front guard.
- When performing work that may result in falling material and flying debris, keep people a safe distance away from the work area.
- Always close the front window and doors before operating.

As for installing the front guard (option), contact your KOBELCO authorized dealer.



## [8. OPTIONAL EQUIPMENT]

---

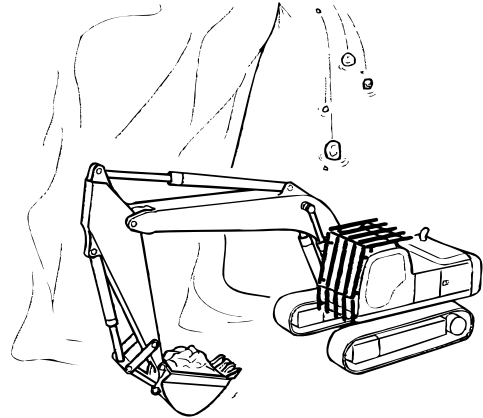
### CHECK PROTECTIVE RELATED GUARDS AND EQUIPMENT

- Check all protective related guards, covers, windows and mirrors are not damaged and secure prior to operation. If any damage or other issue is found, do not use the machine until the protective related parts and equipment has been replaced. Never attempt to repair protective related parts and equipment.
- Understand how the protective systems and the protective related equipment protects you as the operator and others around the machine.
- Never remove protective related parts and equipment from the machine.

### LIMITED PROTECTION FROM OBJECTS FALLING ON THE CAB

When operating near areas where landslides may occur or where rocks or other debris may fall, be aware that the cab and the guards installed provide limited protection for the operator and may not prevent serious injury or death.

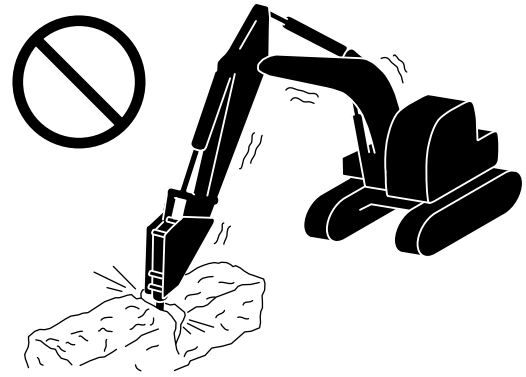
- The top guard is designed according to ISO10262 and should not allow loads up to 227 kg (500 lbs.) dropped from a height of 5.22 m (17 ft.) to penetrate the cab. During building demolition or other activities, the load, the distance of the drop, or both could produce forces that exceed the limits of the top guard and cause serious injury or death.
- Never weld, drill or modify the top guard or other protective structures. Any modification could weaken the structural integrity of these protective structures, resulting in serious injury or death in case of collision, falling objects or landslides.
- Do not install any cab lifting device to the top guard or other protective structures.
- If an accident occurs, do not try to straighten or repair the top guard or other protective structures. If required, contact your KOBELCO authorized dealer for functional verification or replacement of any of the protective structures.



## 8.1.6 PRECAUTIONS IN USE OF BREAKER

### DO NOT PRY AND BREAK FORCIBLY

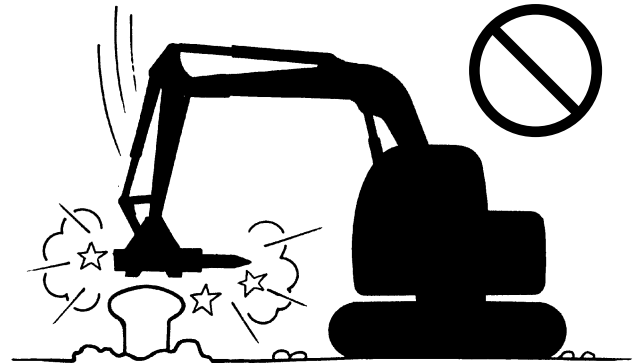
Do not break a rock or concrete by prying it with the breaker. Prying may cause damages to the boom, the arm, and the breaker.



### DO NOT USE BREAKER FOR OTHER THAN INTENDED PURPOSE

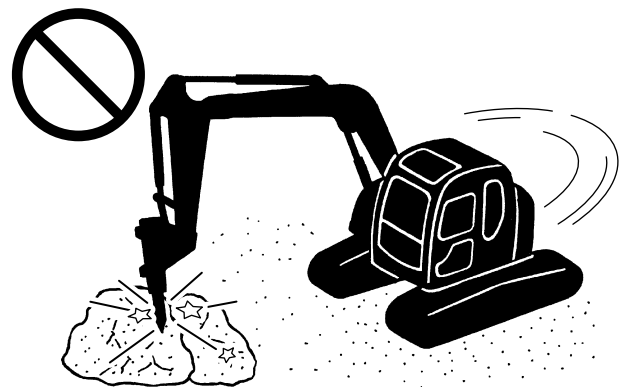
Do not break a rock or concrete by falling or hitting the breaker.

Hitting may cause damages to the boom, the arm, the breaker, and the base machine.



### DO NOT MOVE DEBRIS

Do not use the breaker for moving debris and others. Especially, when pulling down rocks and others with the flank of the breaker by using the swinging force, it may cause damages to the boom, the arm, the breaker, and the base machine.



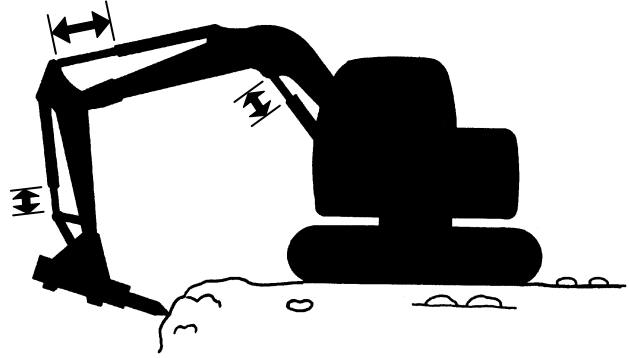
## [8. OPTIONAL EQUIPMENT]

---

### CYLINDER ROD AT STROKE END

Operate the cylinder rod with leaving some space to the stroke end.

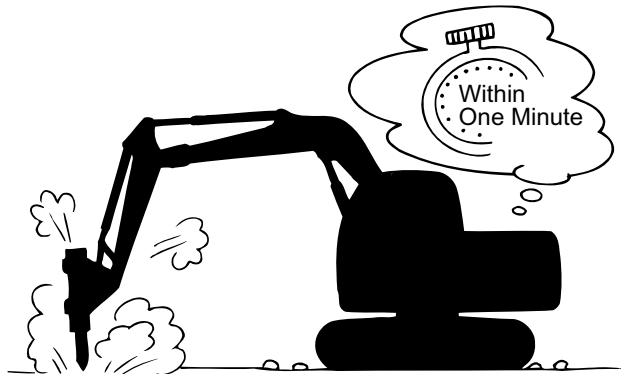
Operating the hydraulic cylinder at the stroke end during demolition work may cause excessive loads on the boom, the arm, and the base machine, resulting in damages.



### CONTINUOUS USE FOR 1 MINUTE OR LONGER

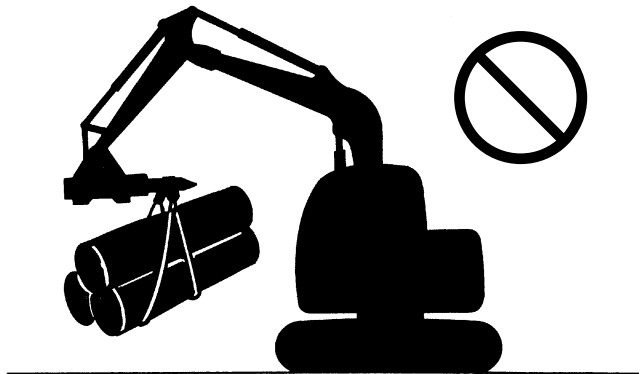
If an object cannot be broken by hitting the same point for 1 minute or more, change the target point.

Using the breaker continuously causes increase of the hydraulic oil temperature or abnormal wear of the breaker chisel.



### NEVER PERFORM LIFTING WORK

Never use the breaker for lifting work.



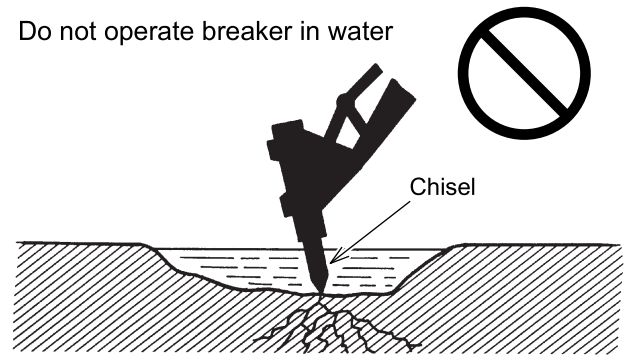


**DO NOT OPERATE BREAKER IN WATER**

Do not operate the breaker in water.

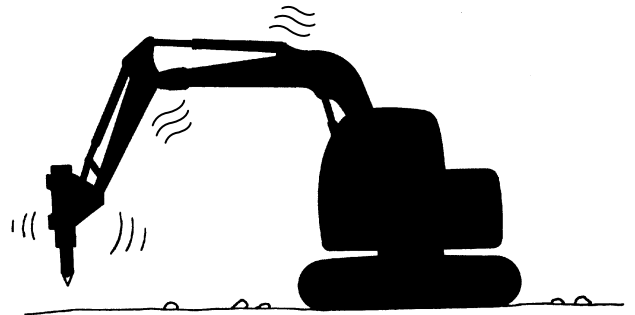
Working in the water can cause rust on the breaker and damage the sealed portions. Consequently, rust, dirt, and water may enter the hydraulic oil and damage the hydraulic components of the base machine.

Do not operate breaker in water

**STOP WORKING WHEN HOSE SWINGS**

When the hydraulic hose swings abnormally during breaker work, stop the work and immediately contact your KOBELCO authorized dealer.

If you continue working, it may cause damages to the hydraulic components and piping.

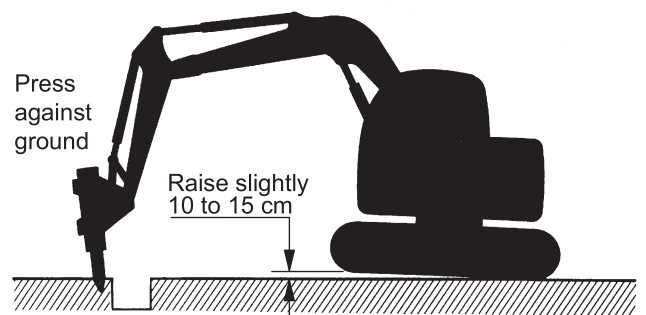
**DO NOT OPERATE BREAKER WITHOUT WORK MATERIAL**

Do not operate the breaker without contact. Operation without contact causes increase of the hydraulic oil temperature and damages to the breaker.

**PAY ATTENTION TO LIFTING UP OF MACHINE**

The lifting amount of the machine during breaker work shall be 10 to 15cm.

If the lifting amount is large, it can cause damages to the boom and the arm.

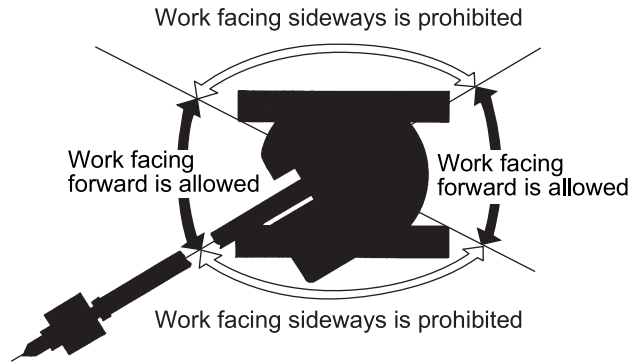


## [8. OPTIONAL EQUIPMENT]

### DO NOT WORK FACING SIDWAYS

Do not operate the breaker when the machine is facing sideways.

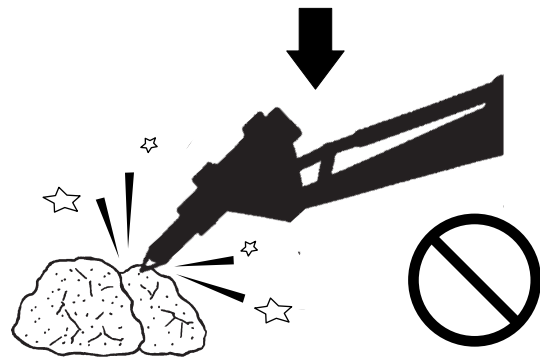
It will cause excessive loads on the travel system, resulting in bending of the shoe plates and oil leakage from the roller.



### PAY ATTENTION TO DIRECTION OF BREAKER

The pushing direction of the breaker shall be in the same direction of the chisel axle. Apply the chisel perpendicularly to a surface to be broken during operation.

If you work in an unnatural posture, the sealed portions of the breaker may be damaged, causing foreign materials or water to enter the machine and resulting in damages to the hydraulic components.



### DO NOT OPERATE BREAKER IN HORIZONTAL OR UPWARD DIRECTION

Do not operate the breaker in the horizontal or upward direction.

It will cause excessive loads on the boom, the arm and the base machine, resulting in damages.



PAY ATTENTION TO INTERFERENCE BETWEEN CHISEL AND BOOM

When the machine is in a position of holding the breaker inward, it may cause interference between the chisel and the boom. Be careful about operation.



## 8.1.7 PRECAUTIONS IN USE OF NIBBLER (CRUSHER)

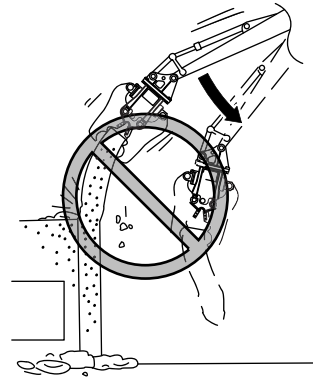
### **CAUTION**

To protect the operator from flying debris and demolished structures, install the front guard and top guard on the cab before demolition.

#### DO NOT PRY OBJECT

Do not pry or pull down an object while holding it by the nibbler (crusher).

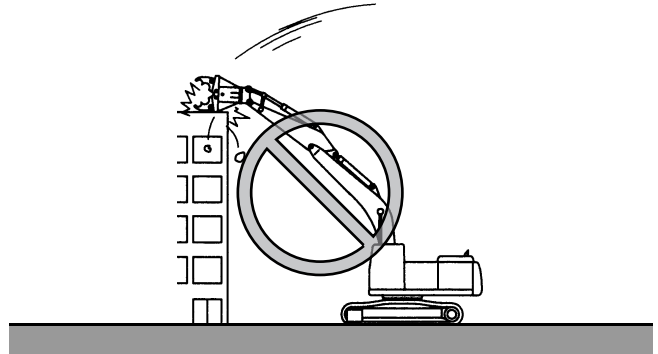
Prying may cause damages to the boom, the arm, and the nibbler (crusher).



#### DO NOT USE NIBBLER (CRUSHER) FOR OTHER THAN INTENDED PURPOSE

Do not fall or hit the nibbler (crusher) to an object.

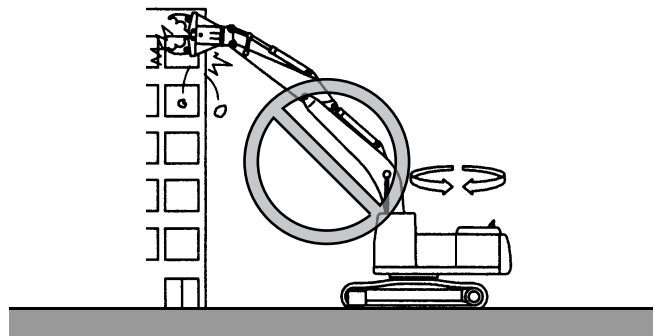
Hitting may damage the boom, the arm, the nibbler (crusher), and the base machine.



#### DO NOT SWING DURING NIBBLER (CRUSHER) WORK

Do not demolish or pull down an object by using the swinging force of the machine while holding the object by the nibbler (crusher).

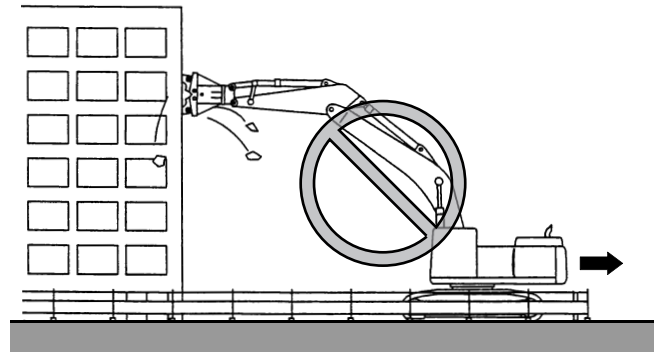
It may cause damages to the boom, the arm, the nibbler (crusher), and the base machine.



**DO NOT TRAVEL DURING NIBBLER (CRUSHER) WORK**

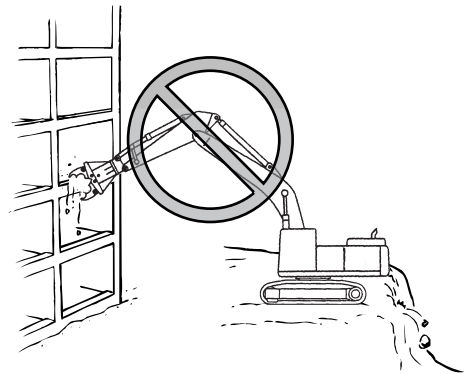
Do not demolish or pull down an object by traveling the machine while holding the object by the nibbler (crusher).

It may cause damages to the boom, the arm, the nibbler (crusher), and the base machine.

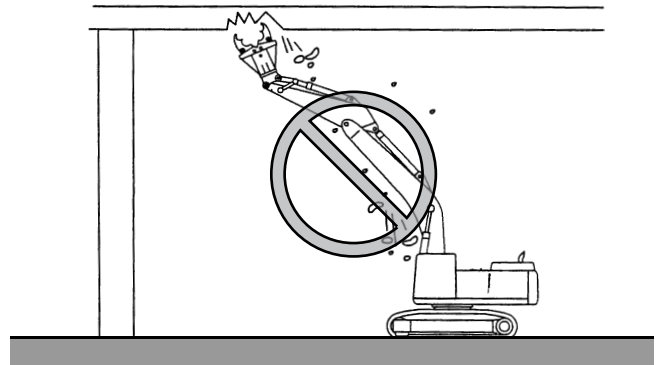
**DO NOT WORK ON UNSTABLE PLACE**

Do not perform work when the machine is on a weak ground or debris.

Working under unstable condition may cause the machine to tip over.

**WATCH OUT FOR FALLING OBJECTS OVERHEAD**

Operating the nibbler (crusher) over the machine can cause demolished structures to fall onto the machine.

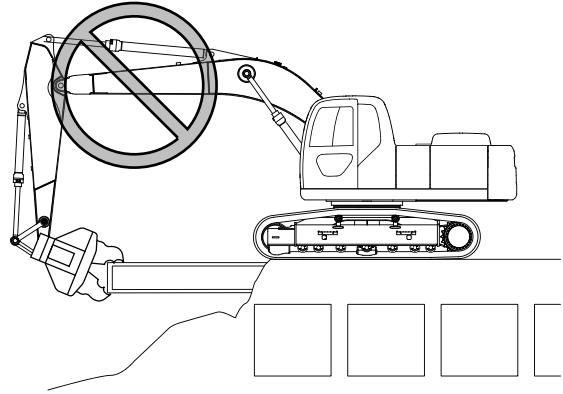


## [8. OPTIONAL EQUIPMENT]

---

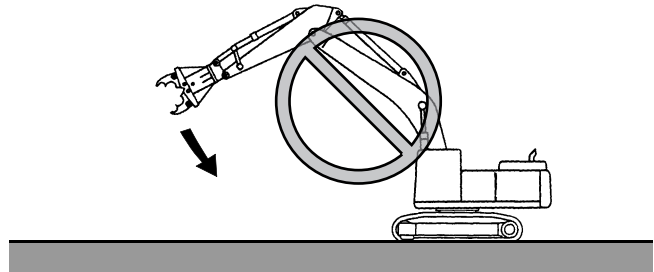
### PAY ATTENTION TO GROUND

If an object under the machine is demolished, it causes the ground of the machine to be unstable, resulting in falling of the machine.



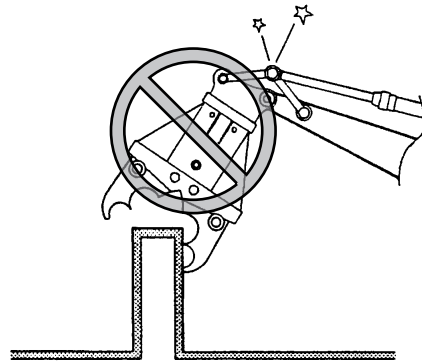
### DO NOT OPERATE MACHINE ABRUPTLY

Do not operate or stop the boom, the arm, and the nibbler (crusher) abruptly. It can cause damages to each cylinder and the machine to tip over.



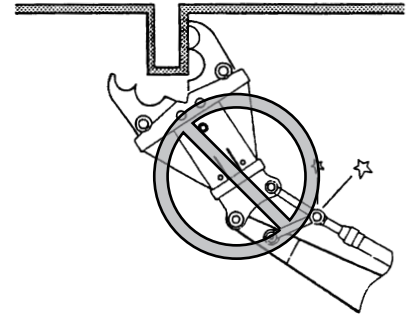
### CYLINDER ROD AT STROKE END

Operate the cylinder rod with leaving some space to the stroke end. Operating the hydraulic cylinder at the stroke end during demolition work may cause excessive loads on the boom, the arm, the link portions, and the base machine, resulting in damages.

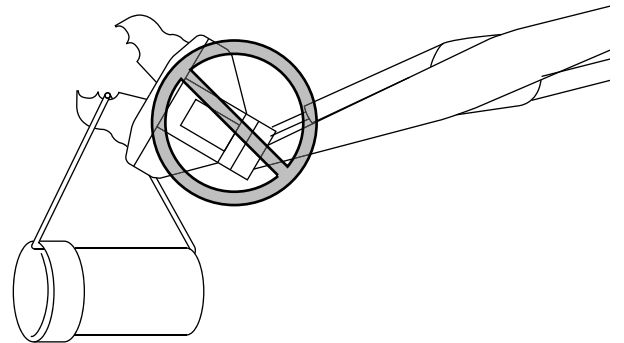


**DO NOT HOLD OBJECT OBLIQUELY BY NIBBLER (CRUSHER)**

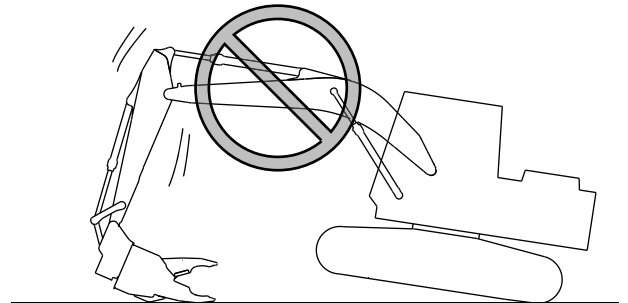
Do not set the machine in a position or posture in which the nibbler (crusher) has to hold an object obliquely. It will cause excessive loads on the arm and the link portions, resulting in damages.

**NEVER PERFORM LIFTING WORK**

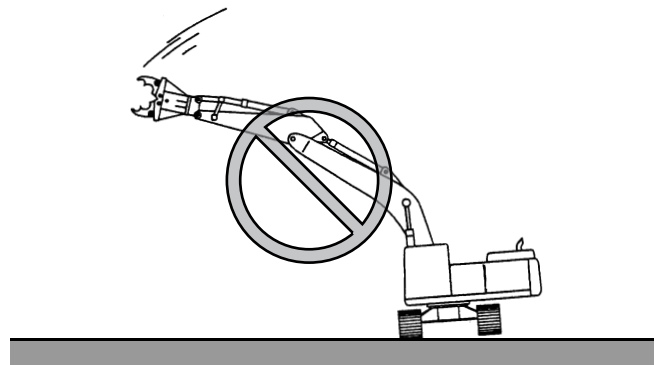
Never use the nibbler (crusher) for lifting work.

**DO NOT LIFT BASE MACHINE**

Do not lift up the base machine by pushing the nibbler (crusher) against the ground. It will cause damages to the boom, the arm, and the nibbler (crusher).

**DO NOT WORK FACING SIDWAYS**

Operating the nibbler (crusher) while the machine is facing sideways causes the crawlers to be raised off the ground and the machine to become unstable. So operate the machine slowly.

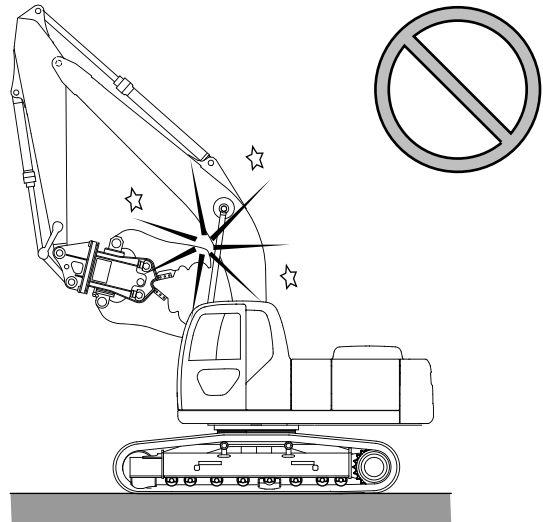


## [8. OPTIONAL EQUIPMENT]

---

### PAY ATTENTION TO INTERFERENCE BETWEEN NIBBLER (CRUSHER) AND BOOM

When the machine is in a position of holding the nibbler (crusher) inward, it may cause interference between the nibbler (crusher) and the boom. Be careful about operation.








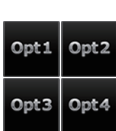




## 8.2 SELECTION OF ATTACHMENT MODE AND SELECTOR VALVE

### 8.2.1 SWITCHING ATTACHMENT MODE

Select an appropriate mode according to the attachment installed.

Display	Attachment mode	Summary
	Bucket	This mode needs to be selected for digging work.
	Breaker	This mode needs to be selected when an attachment using a single flow circuit such as a breaker is installed.
	Nibbler (crusher)	This mode needs to be selected when a hydraulic crusher such as a nibbler is installed.
	Rotary grapple	This mode is designed considering the operation such as a grapple.
	Processor	This mode is designed considering the operation such as a processor.
	Thumb bucket	This mode is designed considering the operation such as a thumb bucket.
	Rotary tilt	This mode is designed considering the operation such as a rotary tilt.
	Individual setting	This mode can be customized for an attachment other than those mentioned above.

#### **CAUTION**

- When the attachment mode is inappropriate, select a proper attachment mode.
- Always select the breaker mode when operating a breaker. Working in a mode other than the breaker mode causes damages to the hydraulic components and/or the breaker.
- Be sure to lower the attachment to the ground and ensure safety before switching the attachment mode.

#### **Notice**

- If tuning of operability is needed, contact your KOBELCO authorized dealer.
- See Chapter 8 "OPTIONAL EQUIPMENT" in the operation manual for the explanation of switching the selector valve.
- When the control lock lever is raised upward to the "LOCKED" position, setting for changing the screen becomes possible.

## [8. OPTIONAL EQUIPMENT]

---

### WORK MODE AND HYDRAULIC CIRCUIT

Attachment	Attachment mode	Hydraulic circuit	Set pressure of overload relief valve
In case of single flow circuit attachment	Breaker mode	The return circuit will automatically become a circuit which does not go through the control valve.	Factory setting: 24.5MPa (3553psi)
In case of flow and return circuit attachment	Other than breaker mode	The return circuit will automatically become a circuit which goes through the control valve.	

---

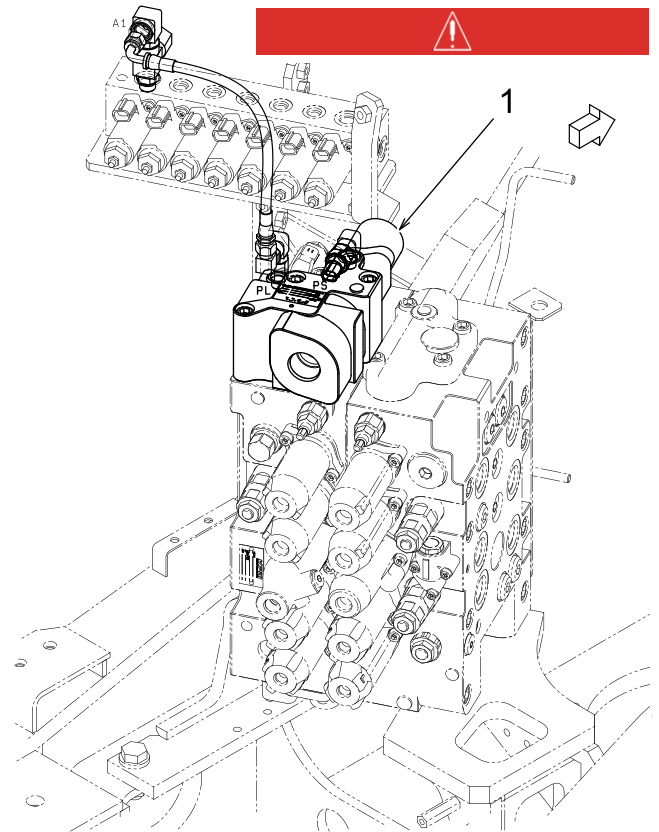
#### Notice

- When the breaker is installed, the return circuit needs to be returned to the return filter directly without going through the control valve. Therefore, make sure to select the breaker mode. Do not use the breaker with a mode other than the breaker mode.
  - The set pressure of the overload relief valve is 24.5 MPa (3553 psi) at factory shipping. Depending on the attachment, adjustment may be required. In that case, contact your KOBELCO authorized dealer.
-

### 8.2.2 SWITCHING SELECTOR VALVE

Selector valve (1) switches the flow of hydraulic oil. The selector valve is switched automatically according to the selected attachment mode. Therefore, it is necessary to switch to an appropriate attachment mode according to the attachment being installed.

For switching the attachment mode, see "SELECTION OF ATTACHMENT MODE" in Chapter 8.



Attachment Mode	Hydraulic Circuit
Other than breaker	Flow and return circuit
Breaker	Single flow circuit

**CAUTION**

When "SELECTOR VALVE FAILURE" is displayed on the monitor, the output and input signals of the mechatro controller may be different.

Select a proper attachment mode again. When "SELECTOR VALVE FAILURE" does not go off even when the appropriate attachment mode is selected, it may be due to an electric failure. Contact your KOBELCO authorized dealer.

## 8.3 SWITCHING STOP VALVE

Stop valves (1) at the arm top end are used to stop the flow of hydraulic oil. When installing and removing the attachment, the stop valves must be switched to the stop position.

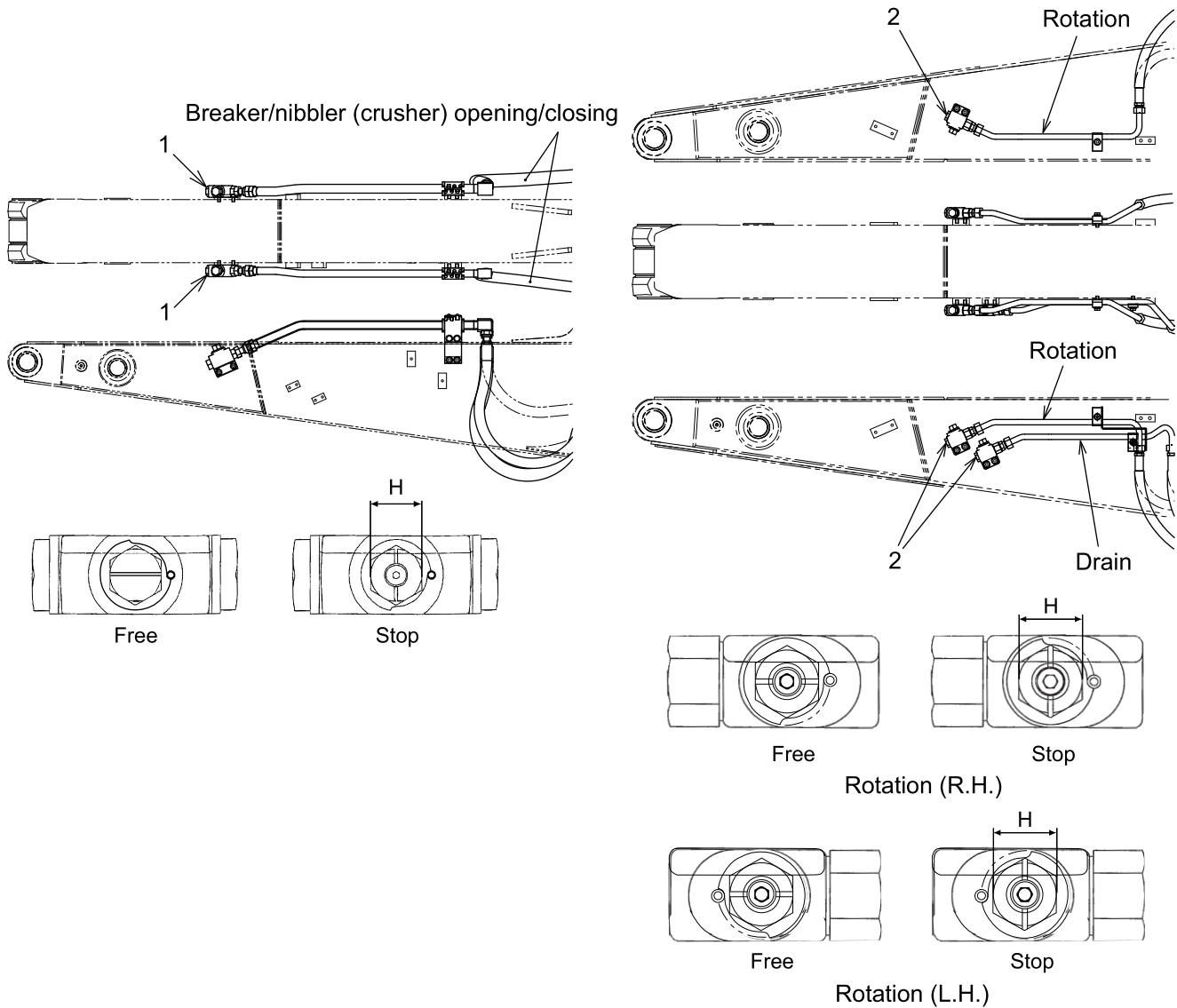
**Notice**

If the pressure still remains inside the piping, slowly loosen the subject hoses and connectors to release the pressure inside the hydraulic piping.

**VALVE POSITION**

Free: Hydraulic oil flows

Stop: Hydraulic oil stops



**TOOLS**

Hydraulic Circuit	Stop Valve	Wrench Size (H)
Breaker/nibbler opening/closing	1	24 mm
Rotation	2	24 mm
Drain		

---

## 8.4 FLOW RATE ADJUSTMENT

Depending on the attachment being installed, the flow rate of service circuit needs to be changed.  
For the setting procedure of flow rate, see "SETTING OF ATTACHMENT MODE DETAILS" in Chapter 2.

---

 **CAUTION**

The flow rate specification varies according to each breaker.  
Using the breaker at a flow rate over that described in the specification may cause seizure or overheat of the breaker. Make sure to check the specification of each breaker and adjust the flow rate accordingly.

---

## 8.5 CONTROL OF PROPORTIONAL HAND CONTROL



### ATTACHMENT TO BE INSTALLED

The operation methods are explained based on the example of a nibbler (crusher) or breaker installed as a front attachment.

The explanation is based on a case that the opening/closing operation system or breaker operation system is connected to the nibbler (crusher) pipings.

Operation may differ depending on a manufacturer and specification of an attachment installed.

Check the operation manual for the manufacturer specification of the attachment before operation.

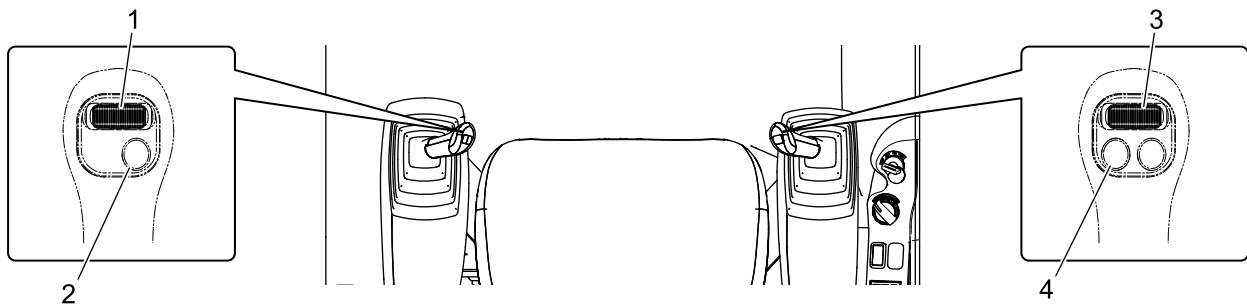


### ABOUT USE OF PROPORTIONAL HAND CONTROL

Read, fully understand and follow all safety precautions and procedures in this manual before attempting any operation of the machine.

#### Notice

When using the nibbler (crusher) or the breaker, see "SELECTION OF ATTACHMENT MODE AND SELECTOR VALVE" in Chapter 8.

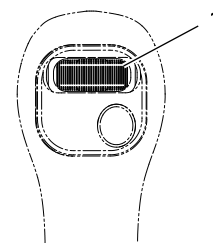


Left Control Lever Switch		Right Control Lever Switch	
1	Extra control switch	3	Nibbler control switch
2	Horn switch	4	Breaker control switch

### 8.5.1 EXTRA / ROTARY HAND CONTROL

Slide switch (1) on the left control lever to actuate the extra.

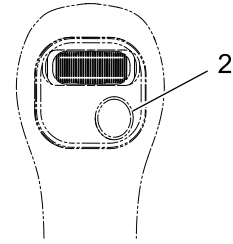
The table below shows that when switch (1) is slid, the left and right, which side of the front attachment the high pressure oil flows when seeing it from the inside of the cab.



Operation procedures	Oil flow
Sliding to the left	Right piping
Sliding to the right	Left piping

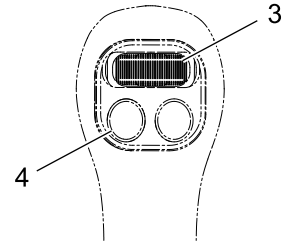
### 8.5.2 HORN SWITCH

For horn switch (2), see "HORN SWITCH" in Chapter 2.



### 8.5.3 NIBBLER (CRUSHER) OPERATION

Slide switch (3) that is located on the right control lever to open or close the "nibbler (crusher)".  
 The table below shows that when switch (3) is slid, the left and right, which side of the front attachment the high pressure oil flows when seeing it from the inside of the cab.



Operation procedures	Oil flow
Sliding to the left	Left piping
Sliding to the right	Right piping



#### NIBBLER (CRUSHER) OPERATION

Do not touch breaker switch (button) (4) when operating the nibbler (crusher).  
 The nibbler (crusher) can move abruptly.



#### PRECAUTIONS FOR LEAVING THE OPERATOR'S SEAT

Do not leave the machine with the engine running.



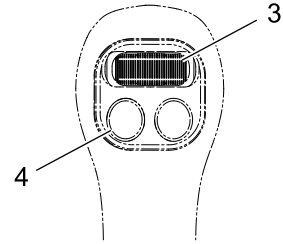
According to the slide distance of the nibbler (crusher) control switch, the hydraulic oil flow rate increases or decreases.

### 8.5.4 BREAKER OPERATION

To operate the breaker, press switch (4).

The table below shows that when switch (4) is slid, the left and right, which side of the front attachment the high pressure oil flows when seeing it from the inside of the cab.

Operate the breaker for 60 seconds, then release the switch.



Operation procedures	Oil flow
Press switch (4)	Left piping
Release switch (4)	Stops (does not flow)

---

**Notice**

The breaker can be operated by sliding nibbler control switch (3) to the left. However, use breaker control switch (button) (4) as much as possible.

---

**WARNING**

**PRECAUTIONS FOR LEAVING THE OPERATOR'S SEAT**

Do not leave the machine with the engine running.

---



## 8.6 PERIODIC INSPECTION AND MAINTENANCE OF NIBBLER (CRUSHER) AND BREAKER

### 8.6.1 PERIODIC INSPECTION AND MAINTENANCE CHART OF NIBBLER (CRUSHER) AND BREAKER

When this machine is used with the hydraulic breaker, the deterioration and contamination of hydraulic oil becomes faster than that of the normal bucket digging work because the machine is used under more severe conditions. Neglecting the maintenance could result in a failure of the base machine, hydraulic breaker, and hydraulic components. To extend the service life of hydraulic components, replace the hydraulic oil and the filter elements, at the following intervals.

As for the return filter element kit to be replaced, ask your KOBELCO authorized dealer for the part number and then place an order.

Item	Inspection and Maintenance Point	Replacement Interval (Hours)		
		First Time	Second Time	Periodic
Hydraulic oil	Hydraulic oil tank	—	—	1000
Return filter element kit	Hydraulic oil tank	50	250	250

## 8.7 PRECAUTIONS FROM BREAKER MANUFACTURERS

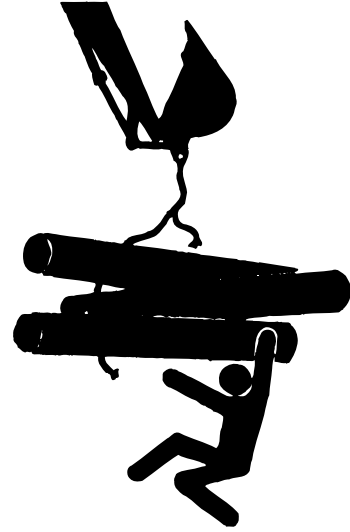
When installing the breaker, first fully read the precautions for using the breaker and precautions for each breaker. Installing an accumulator is sometimes required. Consult your KOBELCO authorized dealer for details before starting installation.

## 8.8 OBJECT HANDLING

### 8.8.1 SAFETY PRECAUTIONS

When performing lifting work by this machine, follow the following precautions and be careful about safety.

- Perform the lifting work according to regulations of each country and field.
- Before start the work, check the parts of the hook, for possible failure.
- Move the machine to a level and firm ground to avoid performing work at a slope or with the condition that the machine is tilted.
- Keep away other workers from the swing area to prevent them from entering the area under a lifted load.
- Use lifting tools (hook, and chain, etc.) with a proper length and without wear and damage.
- Do not lift a load with the bucket teeth, etc.
- Before performing works, turn the over load alarm [ON].
- Perform slowly the lifting work and slowly travel the machine while lifting a load.
- Do not lift a load exceeding the maximum lifting capacity.
- Do not perform towing operation and pulling out operation with the devices for lifting work.
- Do not leave the operator's seat while lifting a load. When stopping the lifting work, lower the load to the ground.
- When strong winds blow, do not perform lifting work.



## 8.8.2 LIFTING WORK

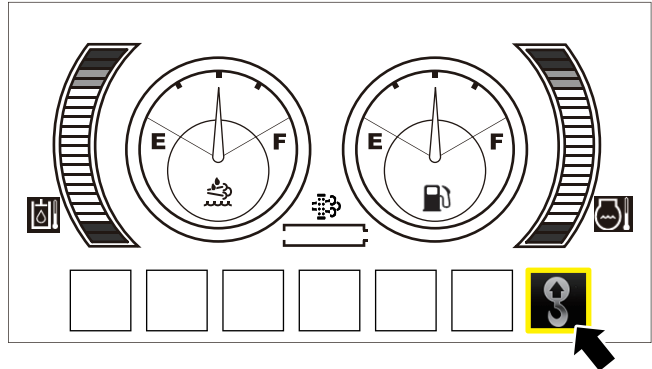


**WARNING**

### CHECKING LIFTING TOOLS

The holding valve, the hook, the warning device, and the rated lift capacity chart are the parts necessary to perform lifting work. If some of them are missed, or a failure is found on them, do not perform lifting work.

1. Check the rated lift capacity chart inside the cab and make sure that a total load including the weight of a load to be handled does not exceed the maximum load.
2. Before starting lifting work, turn over load alarm [ON].  
(See "Setting of over load alarm" in Chapter 2.)
3. Using a wire or chain with a proper length, lift the load by hook of the bucket link.



**WARNING**

### CHECKING LIFTING TOOLS

- Check the lifting tools (hook, and chain, etc.) for wear and damage.
- Do not use these devices for towing operation and pulling out operation.

4. Perform lifting work slowly and avoid rapid movement that may cause the lifted load to swing. If the value of the lifted load becomes close to the maximum load at each working range, the warning appears on the monitor and the warning buzzer sounds. At that time, change the working range, or reduce the load.
5. Lower the load to a level and firm surface and after placing the load on there, remove the wire, etc.



**WARNING**

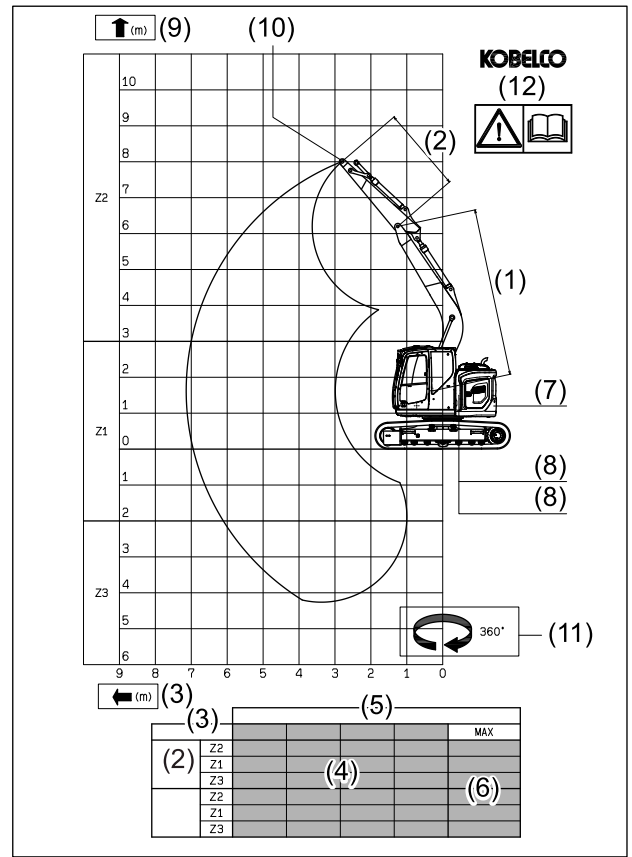
### PRECAUTIONS FOR LIFTING WORK

- If a lifted load swings or rotates, it may contact with the workers around the machine and the cab. Check that the workers around the machine are not in the swing area and perform lifting work slowly.
- If the warning buzzer sounds during lifting work, lower the load to the ground.

### 8.8.3 RATED LIFT CAPACITY CHART

#### EXPLANATION OF FIGURE

- (1) Boom length
- (2) Arm length
- (3) Distance of load from swing center line
- (4) Maximum load (ton) according to tipping limit based on ISO10567 (stability 75 % and hydraulic system 87 %)
- (5) Maximum load at each working range from axis of swing
- (6) Maximum load at maximum working range from axis of swing
- (7) Counterweight
- (8) Set pressure of main relief valve/ holding valve in hydraulic system
- (9) Height of working range
- (10) Lift point (axis)
- (11) Axis of rotation
- (12) Model name



**Notice**

#### Work conditions

- With no front attachment installed (bucket, clamshell, or others).  
When lifting a load with the front attachment installed, the weight of the front attachment shall be deducted from the values of this table.
- With a fully retracted bucket cylinder
- On a firm and level ground
- In full swing position

#### Loads on table

The loads on the table are valid for the work height of range (Z) considered in accordance with an intended distance from the axis of rotation.

## 8.9 QUICK HITCH



### HANDLING QUICK HITCH

Regarding a quick hitch to be installed, use the quick hitch having an automatic mechanical locking mechanism such as a lock pin that will ensure the lock.

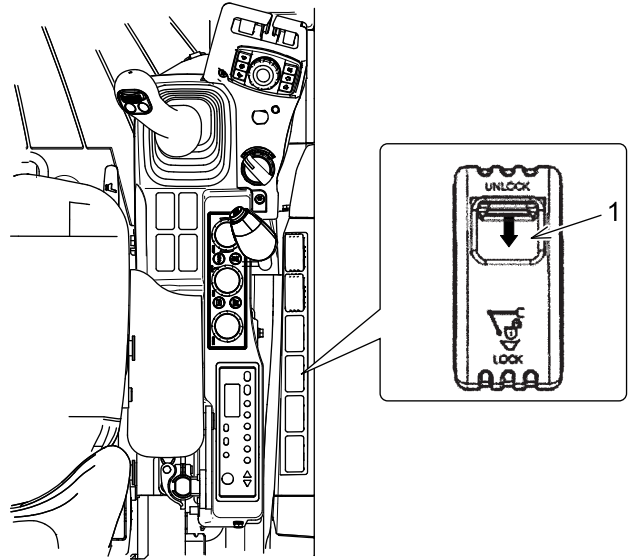
Because when the hydraulic pipes or electric wires are damaged, the hydraulic holding power will be lost, resulting in falling off of the front attachment.

### 8.9.1 QUICK HITCH OPERATION SWITCH

Use this switch to install and remove the front attachment from the quick hitch.

Move sliding portion (1) of the switch to the direction of the arrow shown in the figure and then push the "LOCK" or "UNLOCK" side to switch the function.

If you release the switch, the switch automatically returns to the neutral position.



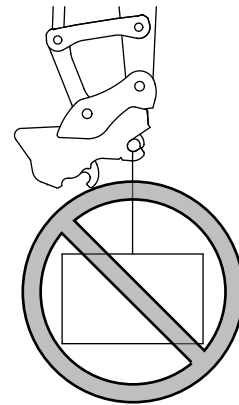
#### Notice

- The alarm sound keeps going off while the "UNLOCK" or "LOCK" side of the quick hitch operation switch is being pushed.
- For detailed operations, see "REMOVING FRONT ATTACHMENT" and "INSTALLING FRONT ATTACHMENT" sections in Chapter 8.

## 8.9.2 PROHIBITED WORKS

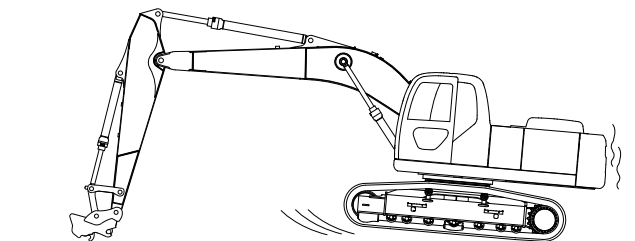
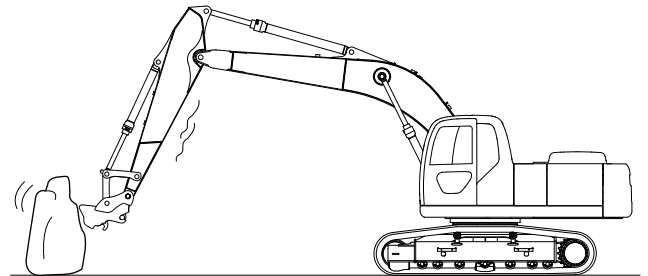
### DO NOT PERFORM LIFTING WORK

Never perform any lifting work using the quick hitch. A lifted load may fall and cause serious accidents.



### DO NOT WORK WITHOUT FRONT ATTACHMENT

Do not lift a load or the machine, when the front attachment is not installed. It may cause damage to the quick hitch.



### DO NOT LIFT OR MOVE PERSONNEL

Never lift or move personnel by using the quick hitch. The lifted personnel may fall off, causing severe accidents.



### 8.9.3 PRECAUTIONS FOR USE

#### CHECK OPERATION & MAINTENANCE MANUAL OF QUICK HITCH

Before installing the quick hitch, carefully read the operation & maintenance manual of the quick hitch.

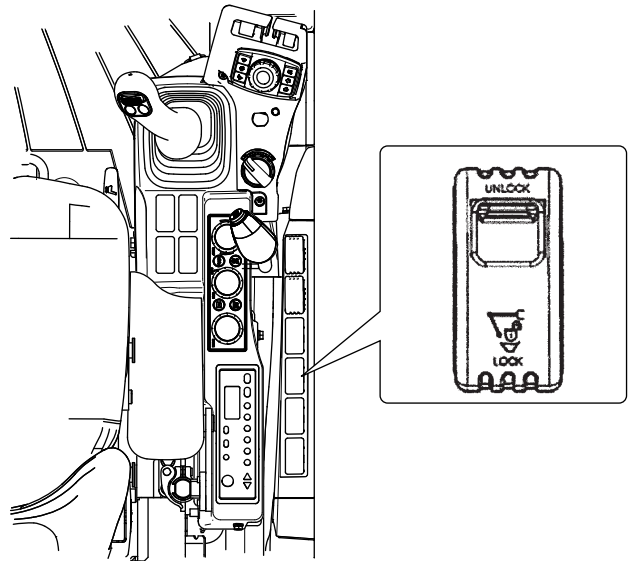
#### CHECK EFFECTS TO OPERATING RANGE AND LIFTING CAPACITIES

When the quick hitch is installed, the operating range and the lifting capacities will be changed. Also, according to the installed quick hitch or front attachment, it may interfere with the attachment/equipment or the base machine. Before starting work, check the operating range, and make sure that the total loads including the weight of the quick hitch, the front attachment, and a load to be handled do not exceed the maximum load described in the rated lift capacity chart inside the cab.

#### CHECK QUICK HITCH OPERATION SWITCH

When the front attachment is installed, check that the operation switch is in the neutral position before starting the engine.

The table below shows that when the switch is slid left or right, which side of the front attachment the high pressure oil flows when seeing it from the inside of the cab.



Operation procedures	Oil flow
LOCK side	L.H
UNLOCK side	R.H

#### INSPECTION BEFORE OPERATION

Before operating the machine, check the installation part for engagement and looseness, and the pipes for oil leakage.



## 8.9.4 REMOVING FRONT ATTACHMENT



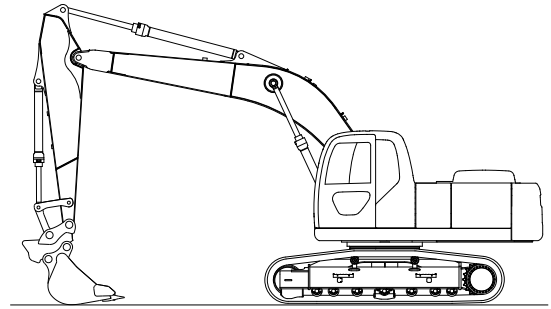
## REMOVING FRONT ATTACHMENT

- Work on a stable and level ground to prevent the front attachment from falling down.
- Be sure to lower the front attachment to the ground before operating the quick hitch.

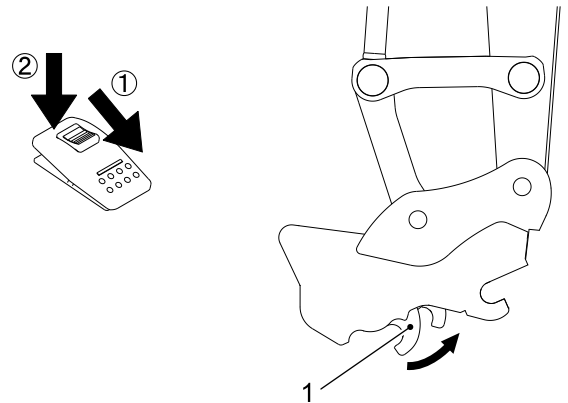
The quick hitch shown in the explanation figures is an example.

Before performing this work, carefully read the operation & maintenance manual of the installed quick hitch.

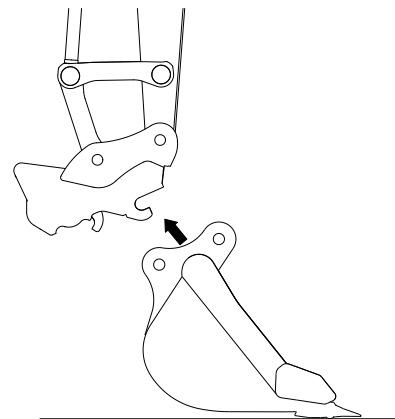
1. Move the machine to a level ground and lower the front attachment to the ground.



2. Push the "UNLOCK" side of the quick hitch operation switch to move movable hook (1) to release the front attachment.  
(See "QUICK HITCH OPERATION SWITCH" in Chapter 2.)



3. Move the attachment/equipment of the machine side to remove the front attachment.


**Notice**

Some kinds of quick hitch may be difficult to remove from the front attachment. In that case, operate the pressure reducing valve to make the removal work easier.

(See "MANUAL SWITCHING OF PRESSURE REDUCING VALVE FOR QUICK HITCH" in Chapter 8.)

## 8.9.5 INSTALLING FRONT ATTACHMENT



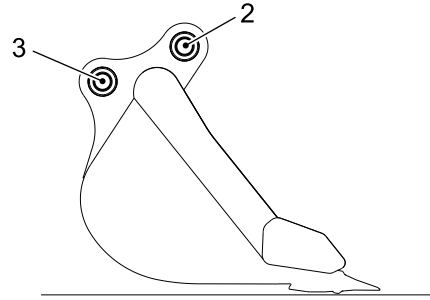
### INSTALLING FRONT ATTACHMENT

- Work on a stable and level ground to prevent the front attachment from falling down.
- After installing the front attachment, make sure that the quick hitch holds the front attachment securely.

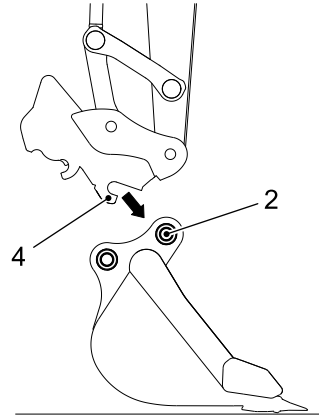
The quick hitch shown in the explanation figures is an example.

Before performing this work, carefully read the operation & maintenance manual of the installed quick hitch.

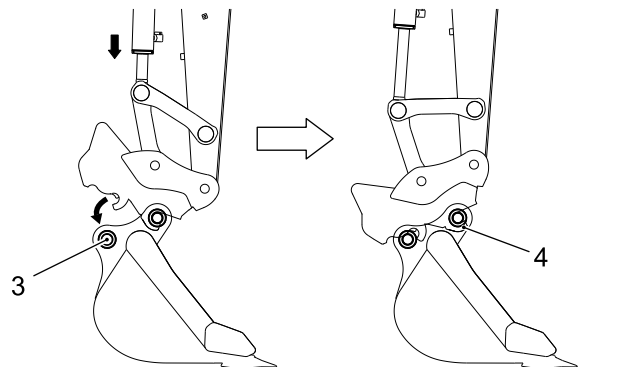
1. Place the front attachment on a level ground.  
Attach pins (2) and (3) to the front attachment.



2. Operate the machine to lower the quick hitch and engage fixed hook (4) with pin (2).

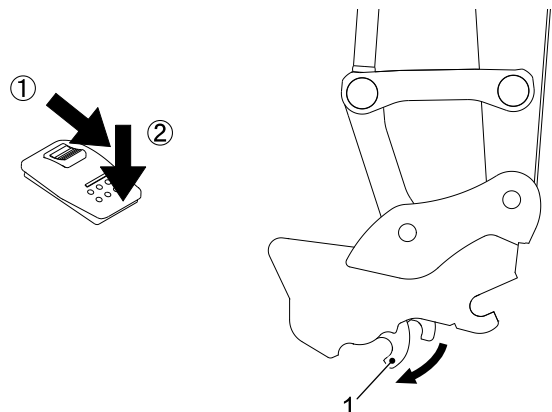


3. Extend the bucket cylinder so that the quick hitch comes in contact with pin (3).  
At that time, make sure that fixed hook (4) engages with pin (2).



4. Push the "LOCK" side of the quick hitch operation switch to engage movable hook (1) with pin (3).  
(See "QUICK HITCH OPERATION SWITCH" in Chapter 2).

5. Check that the front attachment is securely installed, according to the operation & maintenance manual of the installed front attachment.



**Notice**

If the engagement of the quick hitch cannot be fully checked from the operator's seat, get off the machine and check the engagement at a place close to the quick hitch.

### 8.9.6 MANUAL SWITCHING OF PRESSURE REDUCING VALVE FOR QUICK HITCH

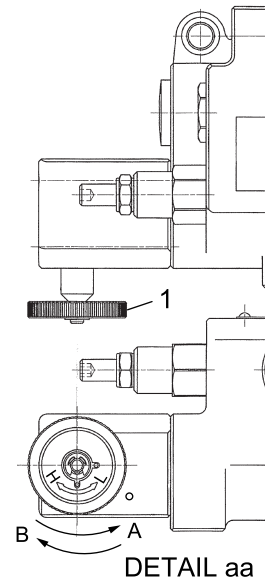
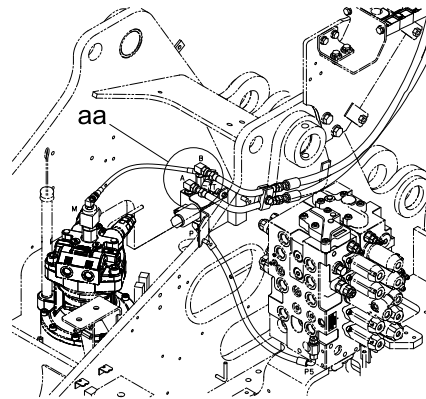
Some kinds of quick hitch may be difficult to remove from the front attachment.

In that case, switch the pressure reducing valve manually to apply a high pressure on the "UNLOCK" side of the quick hitch to make it easier to remove.

- Turn valve switch knob (1) to direction A to increase the pressure at the unlock side (rod side) of the quick hitch.

With this condition, remove the front attachment. (See "REMOVING FRONT ATTACHMENT" in Chapter 8.)

- Except when removing the front attachment, turn switch knob (1) to direction B until it reaches the stop position. The pressure of the quick hitch at the unlock side (rod side) will be decreased. When operating the switch knob, do not stop it halfway but be sure to turn it until it reaches the stop position.





# 9. SPECIAL PROCEDURES



## 9.1 SPECIAL PROCEDURES AT ENGINE FAILURE

- This chapter describes how to release the brakes of the travel motor and the swing motor and how to lower the attachment to the ground.
- These operations should be performed only by an experienced and trained operator who fully reads and understands this manual.

## 9.2 LOWERING ATTACHMENT TO GROUND

When an engine failure occurs, the attachment can be lowered to the ground in the following procedure.

---



### ABOUT LOWERING THE ATTACHMENT TO THE GROUND

When lowering the attachment to the ground, make sure that there is no one under the attachment before starting the work. A person could be hit and injured by the attachment being lowered.

---

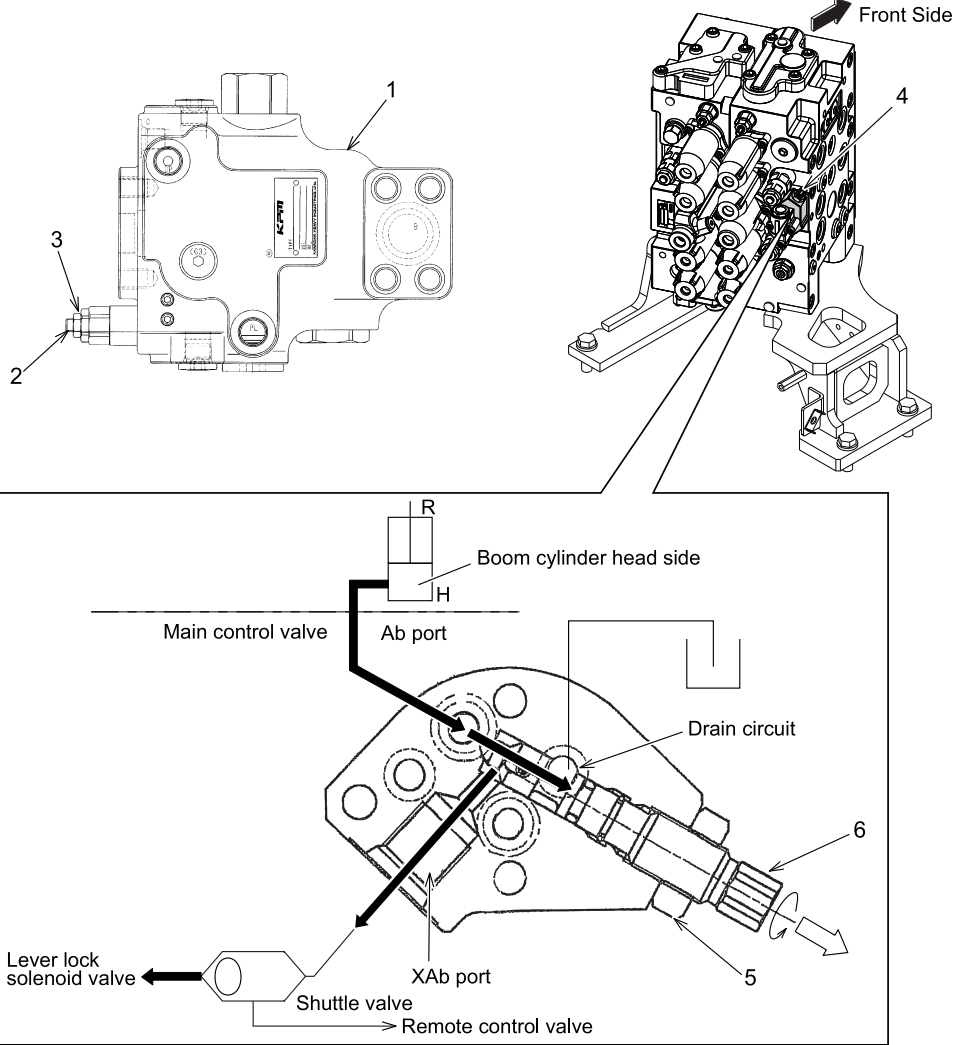
1. At first, if the holding valve is attached to the boom cylinder, loosen lock nut (3) of the port relief valve of holding valve (1) and loosen adjusting bolt (2).
2. Loosen lock nut (5) of emergency manual valve (4) at the head side of the boom cylinder and loosen needle valve (6).
3. The hydraulic oil at the boom cylinder head side flows to the drain circuit through the orifice and then the boom lowers slowly.  
It will take 4 to 8 minutes until the boom lowers to the ground though it may differ according to the machine position and the holding pressure.



- 4. After placing the attachment on the ground, tighten each part of the holding valve (1) and the emergency manual valve as before.

**Notice**

Ask your KOBELCO authorized dealer for readjusting the set pressure of the relief valve.



## 9.3 RELEASING TRAVEL MOTOR BRAKES

### Tools

- Chock block: 4 pcs.
- Allen wrench: 1 pc. (10 mm)
- Allen wrench: 1 pc. (8 mm)
- Torque wrench: 150 to 170 N·m (111 to 125 lbf·ft)
- Plastic mallet or soft mallet
- Container for drain oil: 2 pcs. (6 L)
- Lifting eye: 1 pc. (M10: 1.5 x 30 mm)
- Lifting device {100 kg (220.5 lbs) or more}
- Screw seal (for drain plug, level plug, and filler plug)



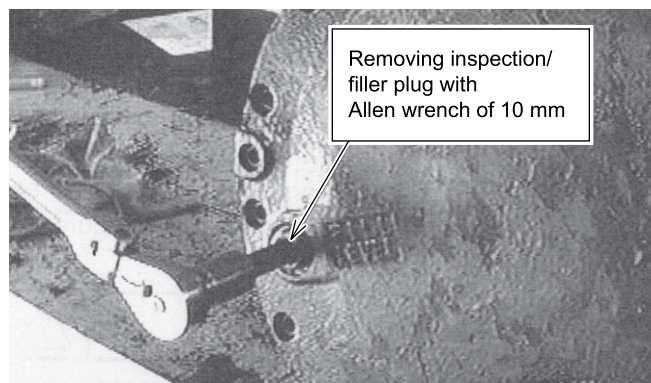
### CHOCKING CRAWLERS

When releasing the brakes of the travel motor and the swing motor, chock the front and rear of the crawlers. See "LOWERING ATTACHMENT TO GROUND" in Chapter 9 to lower the attachment to the ground. On a slope or soft ground, the upper structure and the machine may move unintentionally and it is very dangerous.

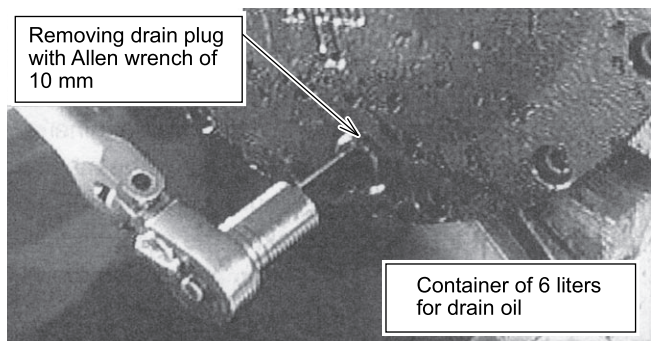


- Do not damage the cover of the travel motor. Not following this may cause oil leakage.
- Prevent contamination of the removed parts. Intrusion of dust may cause a failure of the machine.
- When installing or removing the parts, be careful not to get your hands caught.

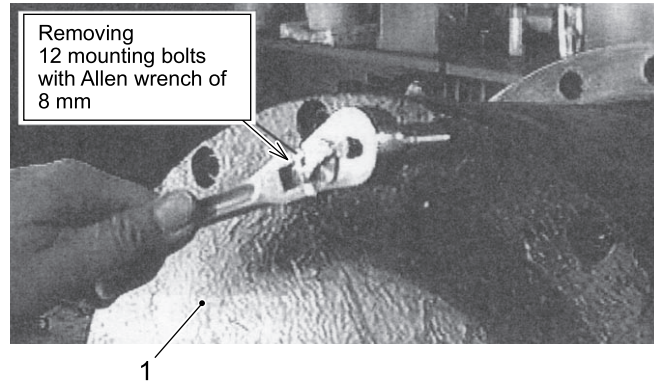
1. Chock the front and rear of each crawler to prevent the machine from moving before releasing the brakes.
2. See "LOWERING ATTACHMENT TO GROUND" in Chapter 9 to lower the attachment to the ground.
3. Turn the starter switch to the "OFF" position and remove the key.
4. Remove the inspection plug and filler plug from the travel motor with an Allen wrench.



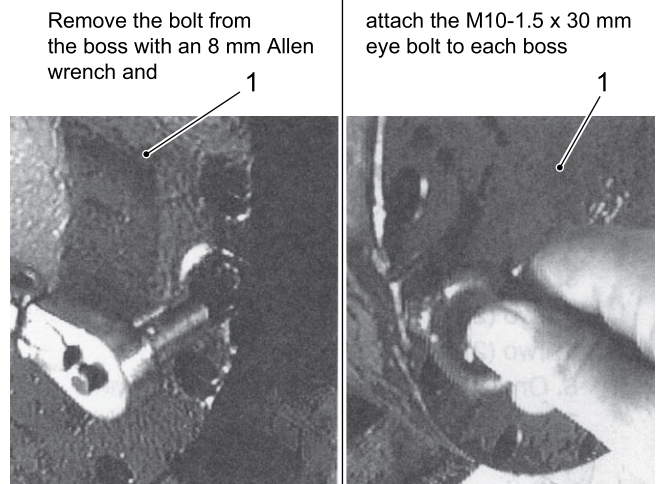
5. Place the container for drain oil under the drain plug of the travel motor and remove the drain plug from the travel motor.



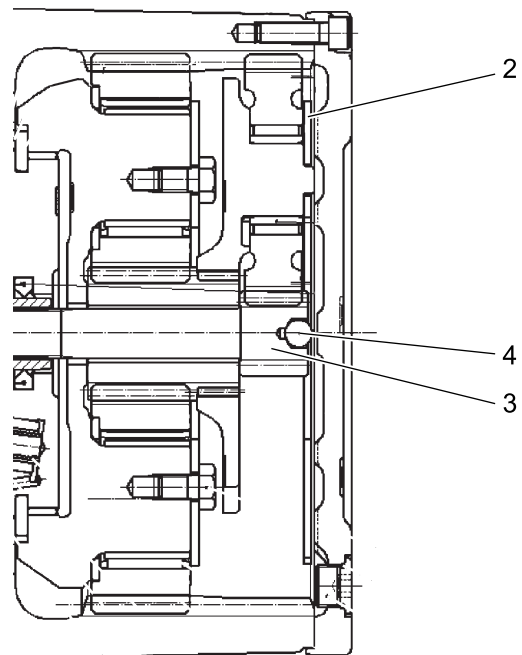
6. Remove the bolts (12 places) from cover (1) of the travel reduction unit.



7. Remove the bolts (2 places) from the boss of cover (1) and attach the lifting eye to each hole.
8. Attach the sling to the lifting eyes and remove slack of the chain or cable.
9. Strike the end of the cover lightly with a plastic mallet and remove cover (1).
10. Remove thrust plate (2).



11. Pull out sun gear 1 (3).



**Note**

Be careful not to drop sun gear 1 (3), it could be slippery by the gear oil.

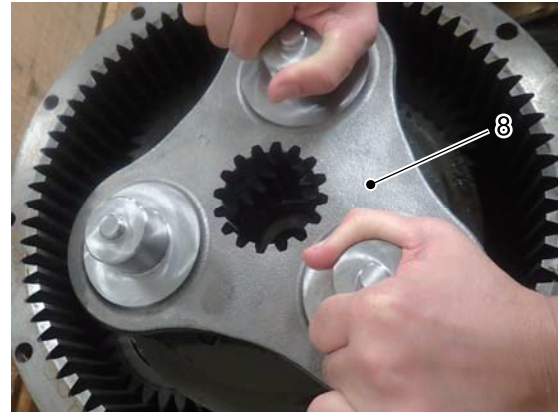
12. Remove steel ball (4) from sun gear 1 (3).  
If removing the steel ball is difficult, use a magnet.

## [9. SPECIAL PROCEDURES]

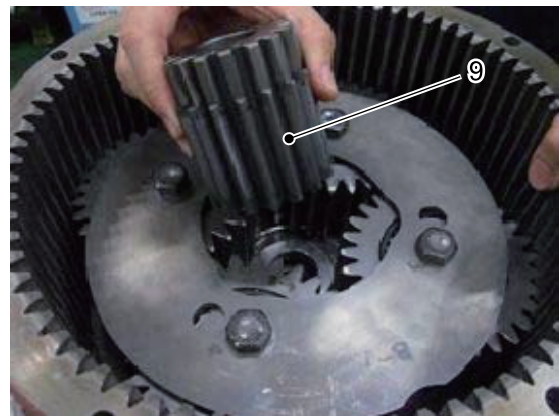
13. Remove each of three planetary gears 1 (5), needle roller bearings with retainers (6), and inner races (7).



14. Hold the columns of carrier 1 (8) and take out the carrier.



15. Hold carrier 2 (9) and pull it out.
16. Install removed cover (1) to the housing again by tightening bolts (12 places).
17. Refill the oil from the hole of the filler plug.
18. Perform the above procedures to the right and left travel reduction units and move the machine to a place where it can be repaired.



### MOVING MACHINE TO PLACE FOR REPAIRING

The machine is in a very dangerous condition because it can move unintentionally due to release of the parking brake.

Check that the area around the machine is clear of people and then start moving the machine.

After moving the machine, chock the front and rear of the crawlers.

19. After completing repair of the machine, reinstall the removed parts in the reverse procedure.

Tightening torque

Cover mounting bolt: 66.7N·m (49.2lbf·ft)

Plug: 98.1N·m (72.4lbf·ft)

## 9.4 RELEASING SWING BRAKES

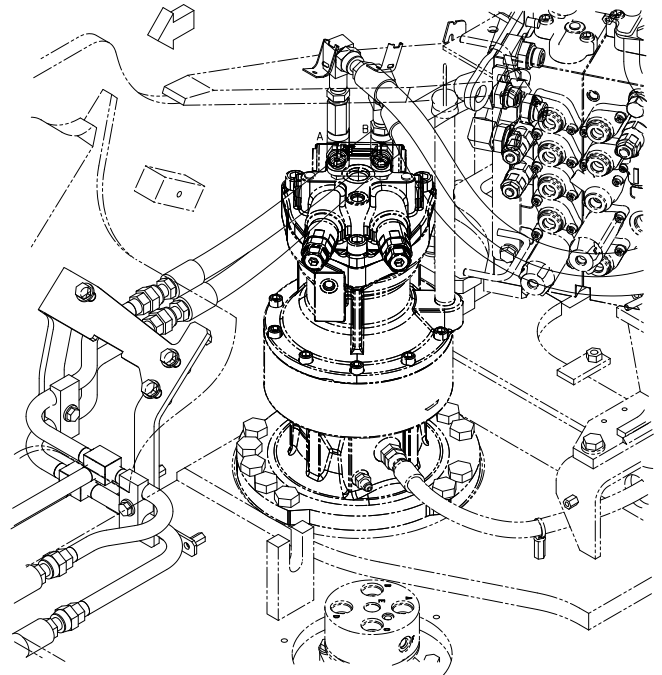


### CHOCKING CRAWLERS

When releasing the brakes of the travel motor and the swing motor, chock the front and rear of the crawlers. See "LOWERING ATTACHMENT TO GROUND" in Chapter 9 to lower the attachment to the ground. On a slope or soft ground, the upper structure and the machine may move unintentionally and it is very dangerous.

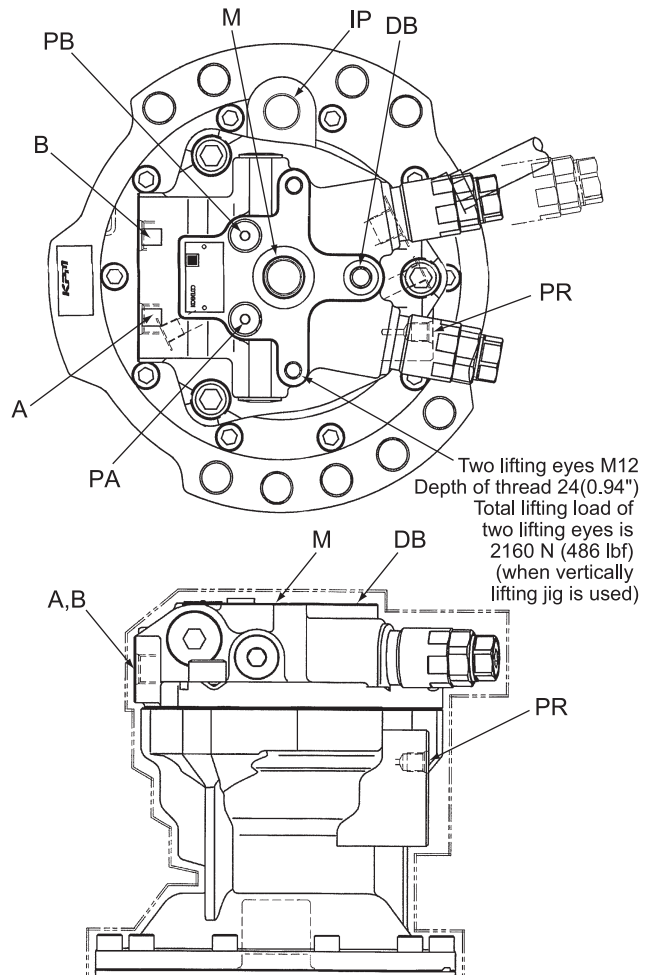
### 9.4.1 SWING BRAKE RELEASE PROCEDURE WITH HYDRAULIC HAND PUMP

1. See "LOWERING ATTACHMENT TO GROUND" in Chapter 9 to lower the attachment to the ground.
2. Remove all the hoses and connectors connected to the swing motor.



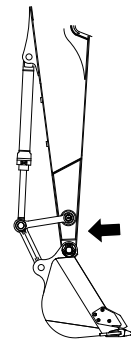
## [9. SPECIAL PROCEDURES]

3. Attach the connector of a proper size for the hydraulic hand pump to the PR port of the swing motor and connect the PR port with the hydraulic hand pump.
4. Apply the pressure of 2.8MPa (406psi) to the port by the hydraulic hand pump to release the swing brake.



Symbol	Name	Size	Torque N·m (lbf·ft)
A, B	Main port	2-PF1/2	108 (80)
M	Make-up port	PF3/4	167 (123)
DB	Drain port	PF3/8	74 (55)
PR	Break release port	PF1/4	36 (27)
IP	Gear oil filler port	PF3/4	98 (72)
PA, PB	Pressure measurement port	PF1/4	36 (27)

5. Hang the wire rope on the arm end.



6. Tow the wire rope hung from the arm end by a towing machine to make the machine swing slowly.
- 



**WARNING**

#### SWINGING MACHINE

The machine is in a very dangerous condition because it can move unintentionally due to release of the swing brake.

Check that the swing radius of the machine is clear of people and then start swinging the machine.

---

7. After repairing the machine, assemble the removed parts as they were before.

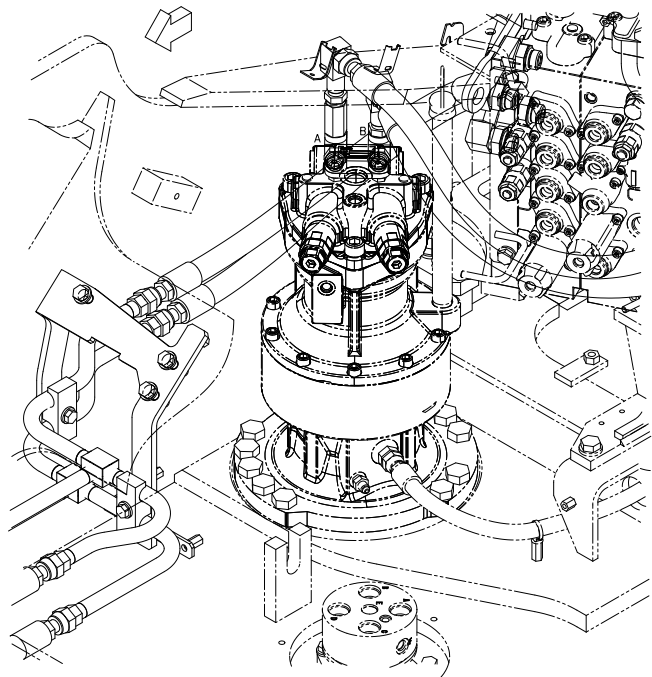
## 9.4.2 RELEASING SWING BRAKE BY DISASSEMBLY

When the hydraulic hand pump cannot be prepared, release the swing brake in the following procedure.

### Tools

- Allen wrench: 1 pc. (14 mm)
- Lifting eye: 2 pcs. (M12: 1.75 x 22 mm)
- Lifting device {100 kg (221 lbs) or more}
- Torque wrench: 400 N·m (295 lbf·ft)
- Plastic mallet or soft mallet
- Waste cloth or paper towel
- Plug and cap
- Tools to remove/install hoses, tubes, and connectors.

1. See "LOWERING ATTACHMENT TO GROUND" in Chapter 9 to lower the attachment to the ground.
2. Remove all the hoses and connectors connected to the swing motor.

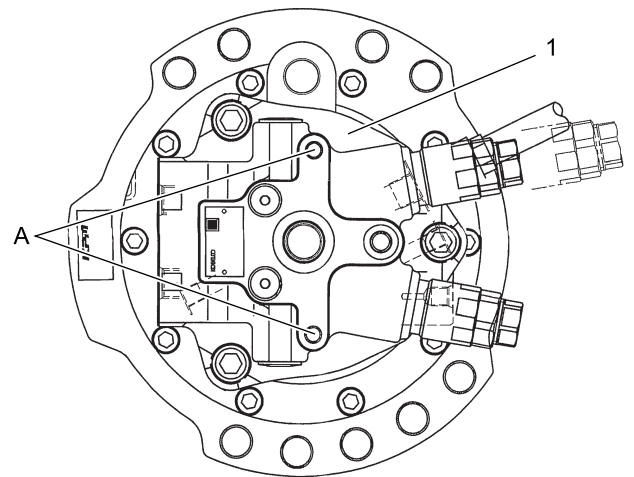


3. Attach the plugs or caps to the hoses, tubes, and connectors.

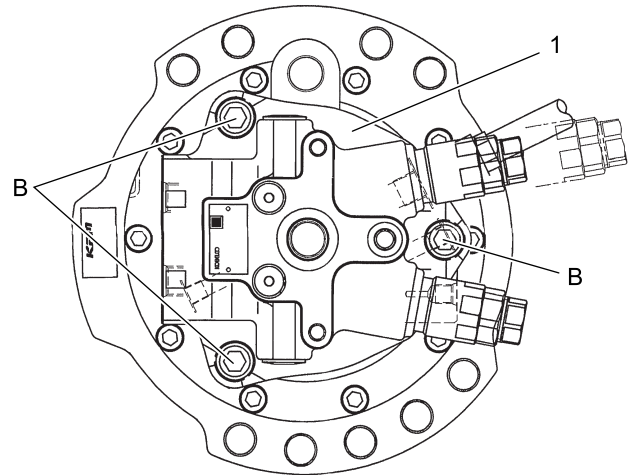




4. Attach the lifting eyes to lifting positions (A) of valve casing (1).



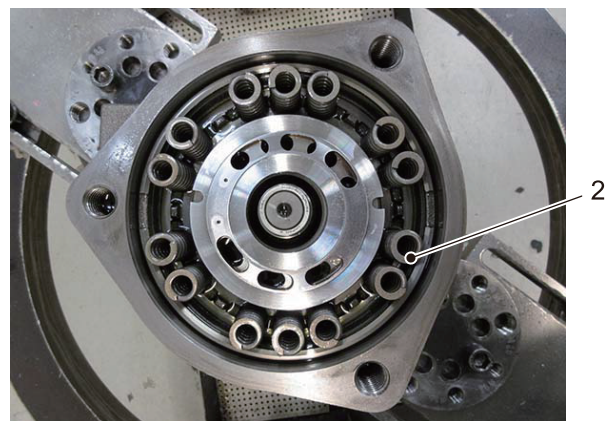
5. Evenly remove three mounting bolts (B) from valve casing (1).
6. Attach the sling to the lifting eyes and remove slack of the chain or cable.



**Note**

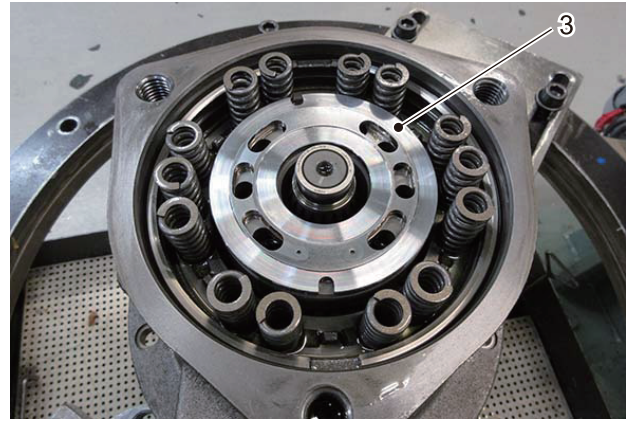
When removing three mounting bolts (B), the valve casing comes up by the spring pressure. Releasing the spring pressure may cause the machine to move.

7. Using the lifting device, remove valve casing (1) slowly.
8. Remove springs (2) inside the swing motor and put them in the container filled with new hydraulic oil. To prevent contamination of the container, put the cap to the container.

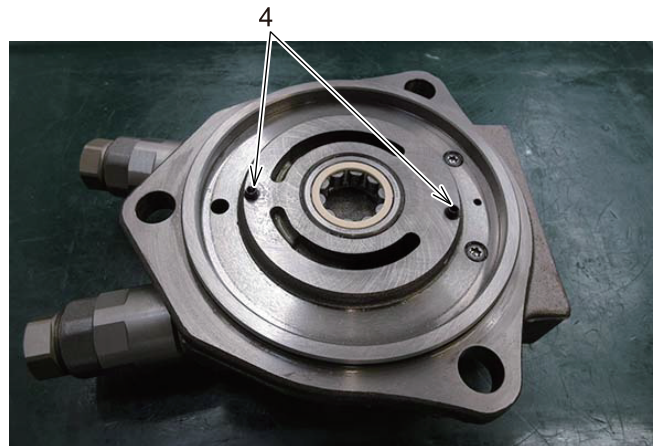


## [9. SPECIAL PROCEDURES]

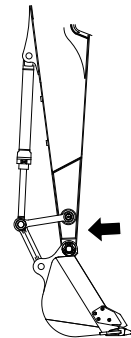
- Align the holes of valve plate (3) in the swing motor to the front and rear of the housing of the swing motor.



- Put valve casing (1) on the top of the swing motor so that positioning pins (4) of valve casing (1) align with the holes of valve plate (3).
- Push valve casing (1) into the swing motor by hand and fix it with three mounting bolts (B).



- Hang the wire rope on the arm end.
- Tow the wire rope hung from the arm end by a towing machine to make the machine swing slowly.



### **WARNING**

#### SWINGING MACHINE

The machine is in a very dangerous condition because it can move unintentionally due to release of the swing brake.

Check that the swing radius of the machine is clear of people and then start swinging the machine.

- After repairing the machine, assemble the removed parts as they were before.  
Tightening torque  
Valve casing mounting bolt: 333N·m(246lbf·ft)

### **CAUTION**

- Do not damage the valve casing. It may cause oil leakage.
- Prevent contamination of the removed parts. Intrusion of dust may cause a failure of the machine.