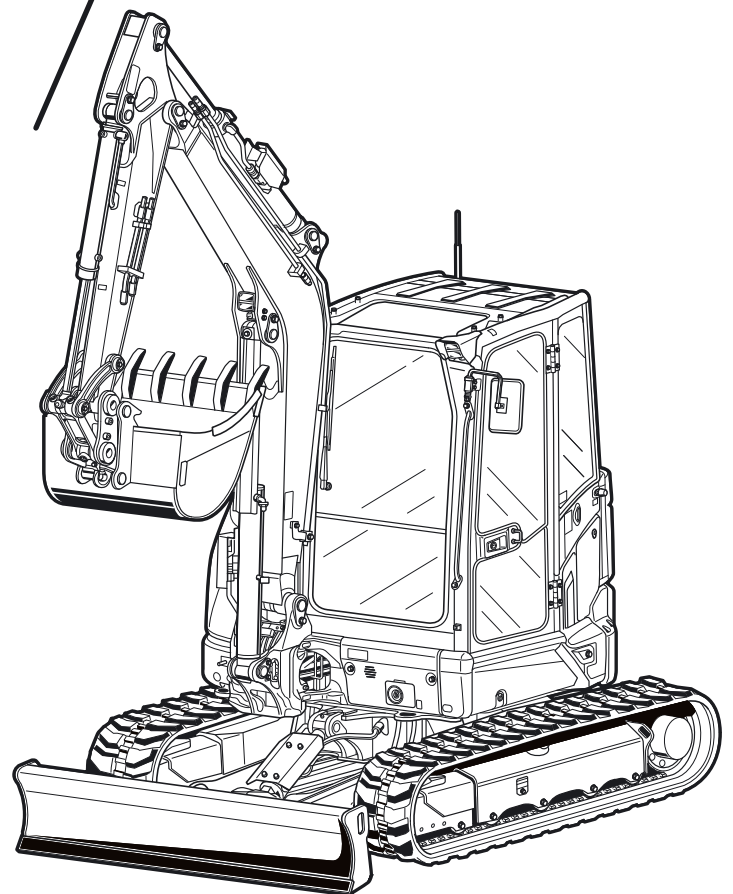


# Kubota

COMPACT EXCAVATOR

GB

MODEL  
U50-5



**OPERATING INSTRUCTIONS**

Dear valued customer,

please fill in the form below. Your information will help us to help you.

**Type:**

**Year of construction:**

**Product identification number:**

**Shipment date:**

**These operating instructions only apply to the KUBOTA excavator U50-5, which comply with the following EC declaration of conformity (page 9).**

**In addition, the machine's product identification number must correspond to the following scope of application.**

**U50-5 - Valid as of product identification number KBCDZ47BEL3C10001**

Please contact your KUBOTA dealer for any additional information or troubleshooting procedures not mentioned in these operating instructions.

We also point out that the contents of these operating instructions are not part of an earlier existing agreement, promise or legal relationship or amend this. All responsibilities arise of the respective sales contract containing the complete and exclusively valid contractual warranty, refer to the "Duties, liability and warranty" section (page 13). This documentation neither extends nor restricts the contractual warranty.

KUBOTA Baumaschinen GmbH reserves the right to change the information contained in this document with respect to future technical development without altering the basic characteristics of the machines described herein and without amending this document.

Distribution and reproduction of this documentation and disclosure of its content are not allowed unless expressly approved by the manufacturer. Violators of the above terms are liable for compensation for damages.

## CONTENTS

Abbreviations.....	6
General symbols .....	7
<b>General information .....</b>	<b>9</b>
Foreword .....	9
EC Declaration of Conformity .....	9
Date of issue of the operating instructions .....	11
Operating personnel.....	11
Location of the operating instructions.....	12
Spare parts.....	12
<b>Safety rules .....</b>	<b>13</b>
Basic safety instructions.....	13
Duties, liability and warranty.....	13
Safety symbols.....	15
Approved use .....	16
Unapproved use .....	16
Special duties of the owner .....	17
Noise emission and vibration .....	18
Noise emission .....	18
Vibrations .....	18
Safety labels on the machine .....	19
Safety devices .....	30
Locking the controls .....	30
Engine emergency stop .....	30
Protective structure cab .....	31
Emergency hammer.....	31
Pipe safety valve .....	32
Overload warning system.....	33
Hazards coming from the hydraulic system .....	34
Fire protection .....	34
<b>Recovery, loading and transport .....</b>	<b>37</b>
Safety rules for recovery .....	37
Safety rules while loading with a crane .....	37
Safety rules for transport.....	38
Recovery .....	39
Hoisting the machine with a crane .....	39
Transport on a flat bed trailer .....	41
<b>Description of the machine .....</b>	<b>43</b>
Model overview .....	43
Model U50-5.....	43
Dimensions.....	44
Dimensions U50-5.....	44
Specifications .....	46
Identification of the machine.....	50
Product identification number.....	50
Engine number .....	51
Standard equipment .....	51
<b>Assembly and functions.....</b>	<b>53</b>
Component overview.....	53
Operator's place .....	54
Left control console .....	54
Description of the components of the left control console .....	55

Drive levers and control pedals .....	56
Drive levers and control pedals – description .....	56
Right control console .....	57
Description of the components of the right control console .....	58
Keypad switch .....	60
Keypad switch description .....	60
Display .....	61
Description of the display .....	61
Other equipment to be found at the machine .....	62
Wiper/washer system .....	62
Interior lighting .....	62
Fuse box .....	63
Tool compartment .....	63
Main battery .....	63
Battery isolator .....	64
Main fuses .....	64
Cup holder .....	65
Tank filler neck and fill level monitor .....	65
Rear view mirror .....	66
Heating and air-conditioning system (optional) .....	66
Engine compartment .....	69
Hydraulic system .....	70
Return change valve for direct return flow .....	70
Radiator and condenser .....	71
<b>Operation .....</b>	<b>73</b>
Safety rules for operation .....	73
Safety for children .....	74
Guiding the operator .....	74
Working in the vicinity of overhead power lines .....	75
Working in the vicinity of underground power lines .....	75
Initial operation .....	76
Setting the display language .....	76
Setting the date/time .....	78
Date and time display format .....	79
Setting the display brightness .....	80
Setting the work light turn-off delay function .....	81
Running-in of the machine .....	83
Special maintenance instructions .....	83
Operating the machine .....	83
Pre-operational services .....	83
Walk-around inspection .....	83
Dust valve - clean .....	84
Engine oil - check .....	84
Coolant level - check .....	84
Radiator and A/C condenser - check .....	85
Radiator - clean .....	85
V-belt - check .....	85
Exhaust system leakage - check .....	86
Hydraulic oil level - check .....	86
Bucket bolt and linkage bolt - grease .....	87
Water separator - check .....	87
Electrical instrumentation - check .....	88
Filter indicator - check .....	88
Fuel level, coolant temperature, hydraulic oil temperature date and time - check .....	89
Setting up the workplace .....	89
Getting on the machine .....	89
Adjusting the operator's seat .....	90
Seat belt .....	93

Field of view .....	93
Adjusting the rear view mirrors .....	94
Safety instructions for starting the engine .....	95
Starting the engine .....	96
Start the engine in Cold-Weather Conditions .....	99
Stopping the engine .....	99
Observation of the displays after starting and during operation .....	100
Checking error messages .....	102
Particle filter regeneration .....	104
General notes .....	104
Automatic particle filter regeneration - Procedure .....	105
Automatic particle filter regeneration - Overview .....	107
Blocking and releasing the particle filter regeneration - Procedure .....	108
Blocking and releasing the particle filter regeneration - Overview .....	110
Driving the machine .....	111
Driving .....	112
Turning .....	113
Driving uphill and downhill .....	115
Notes for rubber crawler operation .....	116
Operating the controls during excavation work .....	117
Note on using wider and deeper buckets .....	117
Operating the dozer .....	118
Overview of control lever functions (standard setting) .....	119
Operating the boom .....	119
Operating the arm .....	120
Operating the bucket .....	121
Swivelling the swivel frame .....	122
Swinging the boom .....	122
Operating the auxiliary ports .....	123
Activating the auxiliary port function .....	123
AUX port 1 .....	124
AUX port 2 (optional) .....	124
One-way hold operation .....	125
Return change valve for direct return flow .....	130
Activating the return change valve .....	130
Depressurising the hydraulic system .....	131
Depressurising the auxiliary ports .....	131
Placing out of operation .....	133
Operating the heating and air-conditioner system (optional) .....	134
Heating the cab .....	134
Cooling the cab .....	135
De-icing or demisting the windows .....	136
Operating the wiper/washer system .....	137
Switching on the windscreen wiper .....	137
To turn on the washer system .....	137
Operating the room light .....	138
Operating the rotary beacon (optional) .....	138
Operating the 12 V plug .....	138
Opening and closing the cab door .....	139
Opening the cab door from outside .....	139
Closing the cab door .....	139
Opening the cab door from the inside .....	139
Opening and closing the windows .....	140
Front window .....	140
Front window base .....	141
Side window .....	143
Operating the working light .....	143
Cold weather operation .....	144
Necessary preparations prior to the winter season .....	144

Operation during the winter season.....	144
Jump-starting the machine .....	145
Operating in emergency situations .....	146
Engine emergency stop.....	146
Manual lowering of the front attachments.....	146
Filling up the washer system .....	147
Refuelling the machine .....	147
Refuelling the machine .....	148
Fill level monitor when refuelling .....	148
Bleeding the fuel system .....	149
Replacing the fuses .....	150
Fuse layout of the fuse box .....	151
Main fuses .....	152
ECU fuse .....	152
Operating the battery isolator .....	153
Opening and closing the engine compartment cover .....	154
Opening/closing the right side cover .....	155
Opening/closing the front service cover .....	156
Opening/closing the left service cover .....	156
Opening/closing the heating and air conditioner unit service cover .....	157
Replacing the bucket.....	157
Anti-theft system.....	158
Black (individual) key.....	158
Red key (for registering).....	158
The key system .....	159
Registering a black key for the machine.....	160
<b>Troubleshooting.....</b>	<b>163</b>
Safety rules for troubleshooting.....	163
Troubleshooting: Before operation .....	163
Troubleshooting: Operation .....	164
Troubleshooting: Display indications .....	166
<b>Maintenance .....</b>	<b>171</b>
Safety rules for maintenance.....	171
Personnel requirements .....	171
Repair work on the machine .....	172
Maintenance intervals.....	172
Maintenance interval display .....	172
General maintenance chart: 50 to 500 hours of operation .....	174
General maintenance chart: 550 to 1000 hours of operation .....	175
Servicing maintenance chart: 50 to 500 hours of operation .....	176
Servicing maintenance chart: 550 to 1000 hours of operation .....	178
Operating materials .....	180
Cleaning the machine.....	181
Servicing.....	182
Coolant - refill .....	182
Radiator and condenser - clean .....	183
Dusting cover.....	184
V-belts - check/adjust/change .....	185
Air conditioner V-belt (optional).....	185
Fan/Alternator V-belt.....	185
Coolant hoses and hose clamps - check.....	186
Coolant - change .....	187
Engine oil and oil filter - change .....	188
Engine oil - drain .....	188
Oil filter - change.....	189
Engine oil - fill.....	189
Air filter - check/clean/change .....	190







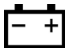


























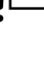


Fuel filter - change .....	191
Water separator - drain .....	192
Water separator - clean.....	193
Water separator filter - change.....	194
Fuel tank - drain .....	195
Fuel lines and the air intake hoses - check .....	196
Return filter in the hydraulic oil tank - change .....	197
Tank breather filter - change .....	198
Pilot circuit filter - change .....	199
Suction filter - change .....	200
Hydraulic oil - refill/change .....	202
Draining the hydraulic oil .....	203
Filling the hydraulic oil .....	203
Battery service .....	205
Battery - check.....	205
Battery - charge .....	206
Battery - change .....	207
Lubrication.....	208
Swivel gear - grease.....	208
Swivel ball bearing - grease.....	208
Swing bracket - grease .....	209
Other greasing points .....	209
Crawler tension - check/adjust.....	210
Crawler tension - check .....	210
Crawler tension (steel) - check .....	211
Crawler tension - adjust.....	211
Drive unit oil - change .....	212
Interior air filter - check/clean/change .....	212
Pipes and hoses of the heating and air-conditioner systems - check .....	214
Coolant content (air-conditioner only) - check.....	215
Viewing the operations log .....	216
Bolted joints - check .....	217
Tightening torque for screws.....	217
Tightening torque for hose clamps.....	217
Tightening torque for hydraulic hoses .....	218
Tightening torque for hydraulic pipes .....	218
Tightening torque for hydraulic adapters.....	219
Tightening torque for elbow pipe joints with shim .....	219
<b>Safety inspection.....</b>	<b>221</b>
<b>Taking out of service and storage.....</b>	<b>223</b>
Safety rules for taking out of service and storage .....	223
Storage conditions.....	223
Measures before taking out of service .....	223
Measures during taking out of service.....	223
Start-up after taking out of service .....	224
<b>Lifting capacity of the excavator .....</b>	<b>225</b>
Constructive calculation of lifting capacity.....	225
Lifting attachment.....	225
Load suspension device.....	226
Max. lifting load during swivel operation is 360° .....	228
<b>Software information .....</b>	<b>231</b>



















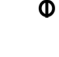

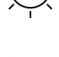
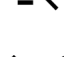


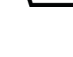
## Abbreviations

1/min	revolutions per minute	kg	kilogramme
%	percent	km/h	kilometre per hour
°	degrees	kN	kilonewton
°C	degree Celsius	kV	kilovolt
A	Ampere	kW	kilowatt
acc.	according	l	litre
API	American Petroleum Institute	l/min	litres per minute
approx.	approximately	LpA	sound pressure level operator's place
ASTM	American Society for Testing and Materials	LwA	sound power level
bar	Bar	m	metre
CECE	Committee for European Construction Equipment	m/s <sup>2</sup>	metre per square second
CO <sub>2</sub>	carbon dioxide	m <sup>3</sup>	cubic metre
dB	decibel	max.	maximum
DIN	Deutsches Institut für Normung (German Institute for Standards)	MIL	Military Standards
DPF	Diesel particulate filter	mm	millimetre
e.g.	for example	MPa	Megapascal
EMC	electromagnetic compatibility	N	Newton
EN	Europäische Norm (European standard)	resp.	respectively
FOPS	Falling-Object Protective Structure	RMS	Root Mean Square (square root of mean square)
GL	Ground level	ROPS	Roll-Over Protective Structure
h	Hour	s	second
incl.	including	SAE	Society of Automotive Engineers
ISO	International Organization for Standardization	t	ton
		V	Volt



## General symbols

	Warning light		Swivel boom (left)
	Fuel indicator		Swivel boom (right)
	Engine oil pressure indicator		Dozer up
	Charge indicator		Dozer down
	Glow indicator		Control lever direction
	Hydraulic oil		Control lever direction
	Fast speed		Beacon
	Slow speed		Auxiliary port enable switch
	Forward travel		Working lights
	Backward travel		AUTO IDLE switch
	Raise boom		AUTO IDLE indicator
	Lower boom		Fan
	Arm dump		Menu switch
	Arm crowd		Overload warning switch
	Bucket crowd		Information
	Bucket dump		Set clock indicator
	Coolant temperature indicator		Overvoltage indicator
	Service interval indicator		Anti-theft system fault indicator

	Insert key indicator		Dozer in floating position
	Pull out key indicator		Overload warning indicator
	Lower control lever lock indicator		Raise control lever lock indicator
	Auxiliary port indicator		Start engine indicator
	Horn		Controller Area Network indicator
	Please read the operating manual		Return switch
	Wiper switch		Acknowledge
	Washer switch		Cancel
	Diesel fuel		Water separator filter
	Lock		Seatbelt indicator
	Unlock		Hydraulic oil temperature indicator
	Engine stop display		Log record
	Particle filter regeneration		Language setup
	Increase engine speed		Display brightness
	Particle filter regeneration locked		Work light turn-off delay
	Travel alarm cancel		Camera

## GENERAL INFORMATION

### Foreword

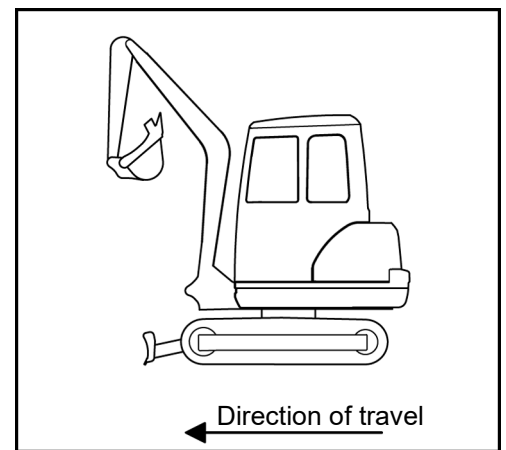
Safety instructions, the rules and regulations for the use of machines given in these operating instructions apply to the machines mentioned in this documentation.

It is the responsibility of the owner(s):

- to ensure local, regional and national regulations are observed,
- to observe the bodies of rules (laws, regulations, guidelines, etc.) stated in the operating instructions to ensure safe handling of the equipment,
- to ensure that the operating instructions are always available for the operating personnel and the information, such as notes, warnings and safety rules and regulations, are followed in all points.

The data in the operating instructions apply for all models. Information applying only optional equipment is highlighted e.g. (optional).

The terms "front" and "direction of travel" refer to the view of the operator when seated on the operator's seat. Forward direction of travel means that the dozer is at the front when driving forwards as shown in the figure.



The symbols for operating and safety instructions are listed under "Safety symbols" (page 15).

### EC Declaration of Conformity

Your copy of the EC declaration of conformity is delivered with the machine. Keep the EC declaration of conformity in a safe place and show it, if requested, to the responsible authorities. Should the EC declaration of conformity be lost, contact your local KUBOTA dealer.

The CE marking is located on the type plate. If the machine is modified or retrofitted without the approval of the manufacturer, the safety of the machine may be affected, thus rendering the EC declaration of conformity invalid.

Content of the EC DECLARATION OF CONFORMITY:



## ORIGINAL EC DECLARATION OF CONFORMITY

Manufacturer: **KUBOTA CORPORATION**  
 Trade name: **KUBOTA**  
 Type: **Compact excavator**  
 Model: **U50-5**  
 Product identification number: **>XXXXXXXXXXXXXXXXXXXX<**

**This machine fulfills all the relevant provisions of the Machinery Directive 2006/42/EC**

**This machine fulfills all the relevant provisions of the directives and regulations:  
 2000/14/EC, 2014/30/EU, (EU) 2016/1628**

**Conformity assessment according to the directive 2000/14/EC, annex VI.**

Model	Rated speed	Nominal output (ISO 14396)	Measured sound power level	Guaranteed sound power level
U50-5	2200 1/min	29.7 kW	94.3 dB (A)	96 dB (A)

Referred standards: EN 474-1:2006+A6:2019 except Annex G,  
 EN 474-5:2006+A3:2013

Notified body: TÜV SÜD Industrie Service GmbH  
 (Notified Body 0036 for EC Directive 2000/14/EC)  
 Westendstrasse 199, D-80686 Munich, Germany

Name and address of the manufacturer: KUBOTA CORPORATION  
 1-1-1, NAKAMIYA OIKE HIRAKATA  
 OSAKA, 573-8573, JAPAN

Name and address of the authorized representative: KUBOTA Baumaschinen GmbH  
 Steinhauser Str. 100  
 D-66482 Zweibrücken, Germany

Name and address of the person responsible for the technical documentation: Mikio Taguchi, President,  
 KUBOTA Baumaschinen GmbH  
 Steinhauser Str. 100,  
 D-66482 Zweibrücken, Germany

### **EC declaration of conformity radio equipment-manufacturer**

Hereby, ASAHI DENSO CO., LTD. declares that the radio equipment type [CZ106] is in compliance with Directive 2014/53/EU. The full text of the EU declaration of conformity is available at the following internet address:  
<http://en.ad-asahidenso.co.jp/euro-compliance/>

### **Date of issue of the operating instructions**

The date of issue of the operating instructions is printed on the bottom right of the front page of the book.

### **Operating personnel**

The duties of personnel with respect to operation, servicing, repairs and safety inspections must be set forth clearly by the owner.

Personnel in training are allowed to work on or with the machine only under the supervision of an experienced operator.

#### **Operator**

According to industrial safety regulations, only persons who were instructed in the operation of the machine, who have proven their qualification to the owner (employer) and who can be expected to perform their duties in a reliable way are allowed to operate the machine independently.

Only instructed personnel are allowed to start the machine and operate the controls.

#### **Trained personnel**

Trained personnel are skilled persons with a technical qualification who are able to determine damages to the machine and perform repairs in their area of qualification (e.g. hydraulic or electrical engineering).

Only trained and instructed personnel are allowed to work on the machine.

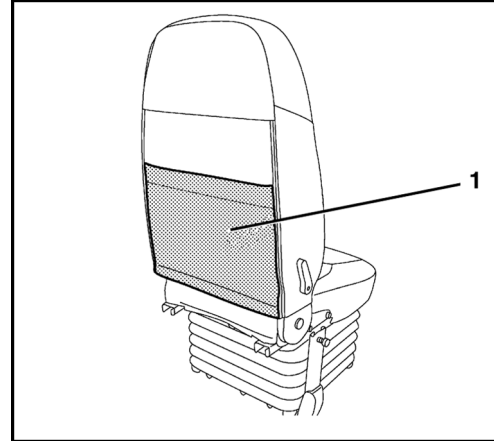
#### **Qualified personnel**

Based on their technical training and experience in their field, qualified personnel should have sufficient knowledge about the technology used in this machine and be familiar with the applicable national work safety regulations, accident prevention regulations and the generally accepted technical rules so that they can assess the safe condition of the machine.

### Location of the operating instructions

The operating instructions must always be kept on the machine. If the operating instructions have become illegible due to continuous use, the owner (operator) must order a replacement from the manufacturer.

There is a compartment (1) for the operating instructions behind the backrest of the operator's seat.



### Spare parts

When ordering spare parts, please always provide the following information:

- Machine's product identification number and year of construction (see type plate)
- Designation/type of spare part (see original KUBOTA spare parts catalogue)
- Part number of the spare part (see original KUBOTA spare parts catalogue)
- Quantity required
- Customer number

For written orders, please provide this information exactly, or for telephone orders, please have this information ready before calling. This makes the process easier for us and for you, and prevents errors and incorrect orders or deliveries.

**Please place your order with your KUBOTA dealer.**

# SAFETY RULES

## Basic safety instructions

- The EC machine utilization directive (2009/104/EC) dated 16/09/2009 applies for the operation of the aforementioned machine.
- The information in these operating instructions applies for maintenance and repairs.
- National rules and regulations apply where applicable.

## Duties, liability and warranty

A basic requisite for the safe handling and problem-free operation of the machine is the knowledge of the safety instructions and safety regulations.

These operating instructions, in particular the safety instructions, must be followed by all persons working near or with the machine. Above and beyond this, the safety rules and regulations applicable for the site must also be observed.

### Hazards occurring during the handling of the machine:

- The machines are manufactured according to the state of technology and the recognized safety rules. Nevertheless, danger to the life and limbs of the operator or a third party, or damage to the machine or to other property can occur. The machine(s) may only be used
  - for the approved use and
  - in a completely safe operating state.

Malfunctions which can reduce safety must be repaired immediately.

### Warranty and liability

The scope, period and form of the warranty are set forth in the sales and delivery conditions of the manufacturer. The operating instructions valid at the time of delivery shall be the basis for any warranty claims arising from errors in the documentation, see the date of issue of the operating instructions (page 11). The following applies above and beyond the sales and delivery conditions: No warranty or liability shall be assumed for personnel and property damages resulting from one or more of the following reasons:

- unapproved use of the machine,
- improper starting, operation and maintenance of the machine,
- operation of the machine with defective safety devices or improperly installed or non-operational safety and protective devices,
- ignorance or non-observance of these operating instructions,
- insufficiently qualified or insufficiently instructed operating personnel,
- improperly performed repairs,
- unauthorised engineering changes to the machine,
- poor surveillance of machine parts subject to wear,
- catastrophes caused by the effect of foreign objects or an act of God.

The owner must ensure at his own responsibility that

- the safety rules are observed (page 13),
- unapproved use (page 16) and unauthorised operation are excluded and
- the approved use (page 16) is ensured and the machine is operated in accordance with the contractual conditions of use.



### Safety symbols

The following terms and hazard symbols are used in these operating instructions:



*Identifies important operating procedure information which may not be immediately evident to the operator.*



*Identifies operating procedures which must be followed exactly to prevent damage to the machine or other property.*



*Identifies operating procedures which must be followed exactly to prevent danger to persons.*



*Identifies possible hazards in the handling of batteries.*



*Identifies possible hazards from caustic materials (battery acid).*



*Identifies possible hazards from explosive materials.*



*Prohibits the use of fire, ignition sources, and smoking.*



*Prohibits the spraying of water.*



*Identifies operating procedures for the proper disposal and storage of ensuing waste materials.*

### Approved use

The machines specified in this operator's manual may only be used for to loose the ground, excavating, picking up, transporting and dumping soils, rocks and other materials, for work with the dozer or with a breaker. The load may be transported largely without driving the machine. Do not exceed the maximum lifting capacity.

Approved use also includes:

- observation of all notes in these operating instructions,
- regular servicing,
- regular safety inspections.

### Unapproved use

Any improper use – i.e. any deviation from the information in the "Approved use" section (page 16) of the machine documented in these operating instructions – is considered an unapproved use. This also applies to the non-observance of the standards and guidelines listed in these operating instructions.

Hazards can occur in case of improper use. Such improper uses include:

- Using the machine to lift loads without proper equipment for lifting operations,
- using the machine in contaminated environments,
- using the machine in closed rooms without sufficient ventilation,
- using the machine under conditions of extreme temperatures (extreme heat or cold),
- using the machine for underground works,
- using the machine to transport people (e.g. by means of attachments),
- using the machine for demolition work, with the danger of falling objects (e. g. tearing down walls),
- using the machine with log grab.

### Special duties of the owner

Owner of the machine in the sense of these operating instructions is any person or company which uses the machine itself or on whose order it is used. In special cases (e.g. leasing, rental), the owner is the person who must perform the duties arising from operation according to the conditions of the contract between owner and user of the machine.

The owner must ensure that the machine is only used properly and that any danger to the life and health of the user or others who are in the proximity of the user are eliminated. Furthermore, observance of the safety rules and regulations as well as the operating, maintenance and repair regulations must be ensured. The owner must make sure that all operators and users have read and understood these operating instructions.

Persons who work with or on the machine must be provided by the operator with, and where applicable use suitable personal protective equipment (PPE), for example suitable working clothes, safety shoes, safety helmets, eye protection, ear protection and air-filter masks. The owner/employer bears the main responsibility for the PPE, which is specified by the safety rules for particular types of activity.

Waste such as old oil, fuel, hydraulic fluid, coolant and batteries comes under the category of toxic waste and can be a hazard to the environment, people and animals.

Disposal must be undertaken in an appropriate way, according to legally prescribed pollution control and safety regulations.

If you have questions about the correct disposal or storage of refuse and toxic waste, contact your KUBOTA dealer or a local waste management contractor.

### Noise emission and vibration

The values specified in this manual have been identified in the test cycle at an identical machine and are valid for a standard equipment machine. The determined values are shown in the Technical Data (page 46).

#### Noise emission

The noise levels were determined using the method of determining the guaranteed sound pressure level of ISO 4871 based on directive 2000/14/EC, appendix VI.

The noise levels shown are not applicable for the determination of additional workplace noise emissions. The actual noise levels may need to be determined directly at the workplaces, subject to actually existing conditions (other noise sources, special operating conditions, sound reflections).

Depending on the actual noise emissions the owner must provide the necessary personal protective equipment to the operator (ear protection).



*Noise of a noise level of more than 85 dB (A) can cause hearing damage.  
From a noise level of 80 dB (A), the use of an ear protection is recommended.  
From a noise level of 85 dB (A), the operator must wear an ear protection.*

#### Vibrations

The vibrations at the machine have been determined at an identical machine.

The vibration stress on the operator over a longer period of time must be determined by the owner at the operating site, in compliance with directive 2002/44/ EC in order to consider individual magnitudes of influence.

### Safety labels on the machine

#### Care of safety labels

- Keep safety labels clean and free from interfering objects.
- Clean safety labels with soap and water and dry with a soft, clean cloth.
- Replace damaged or missing safety labels with new ones from your KUBOTA dealer.
- If a component with glued-on safety labels is replaced with a new part, make sure that the new labels are affixed to the same location as the replaced component.
- Safety labels should be stuck only on clean and dry surfaces. Press any air bubbles into the outer edge of the sticker.

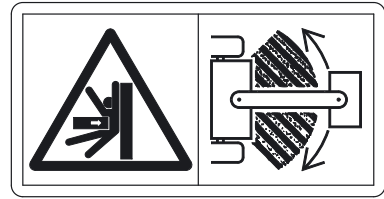
The positioning of the safety labels is illustrated in the following figures.

1) Code #: RB456-5722-0

**Mortal danger by crushing!**

A low safe distance to the boom can impede an emergency exit from the danger zone. Being crushed by the boom can result in severe injury or death.

- Do not remain within the swinging range of the boom.
- Ensure safe distance to obstacles and sufficient freedom of movement.



2) Code #: RB456-5789-0

**Danger in the danger zone of the front attachments!**

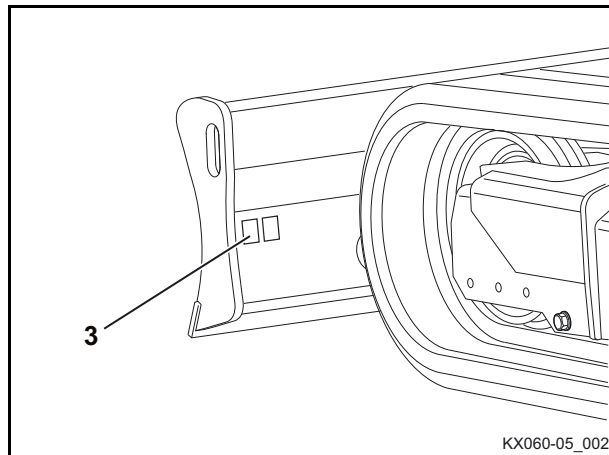
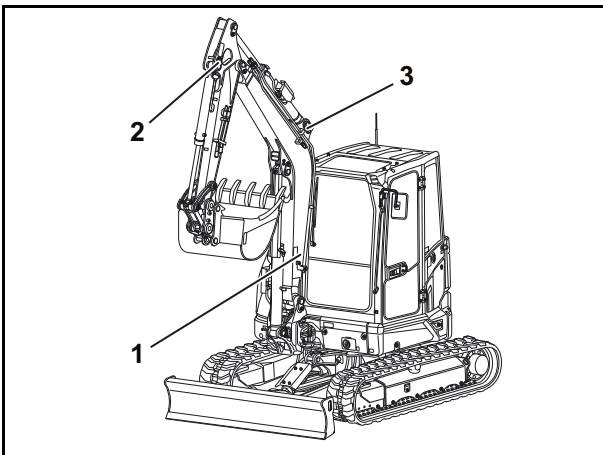
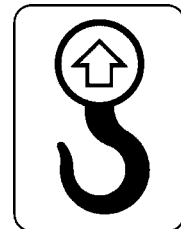
Standing in the danger zone while the front attachments are moving suddenly can lead to severe injury or even death.

- Do not stand in the danger zone of the front attachments.
- Ensure safe distance to obstacles and sufficient freedom of movement.



3) Code #: RC108-5796-0

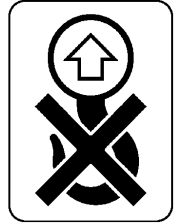
Attachment point for lifting gear



KX060-05\_002

## Safety rules

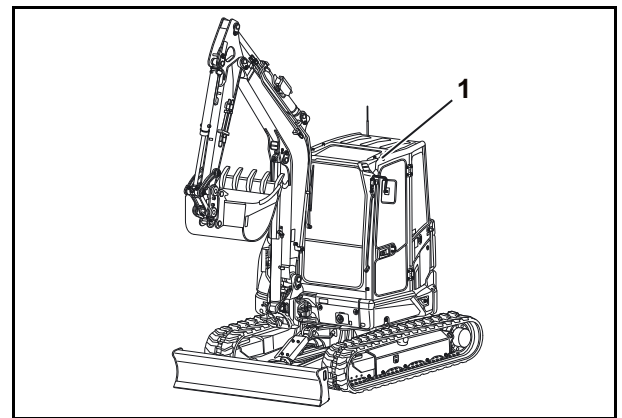
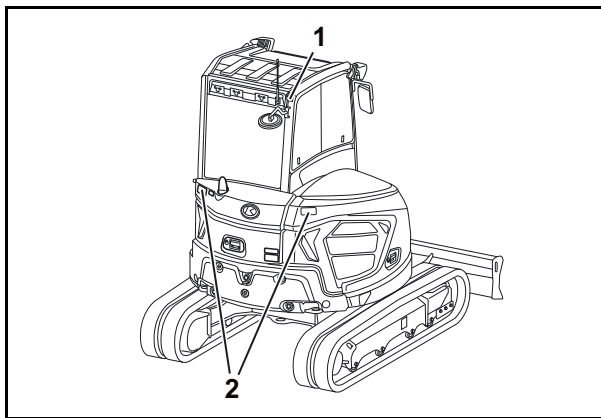
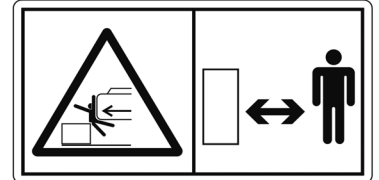
- 1) Code #: RB419-5796-0  
Not an attachment point for lifting gear.



- 2) Code #: RC788-5725-0  
**Mortal danger by crushing!**

Low safe distance to the machine and to obstacles can prevent an emergency exit from the danger zone. Crushing by machine results in severe injury or death.

- Do not enter the manoeuvring area.
- Ensure safe distance to obstacles and sufficient freedom of movement.



1) Code #: RD579-5738-0

**Risk of burns from hot components!**

Surfaces can be hot and lead to burns.

- Do not touch hot parts, such as exhaust muffler, etc.

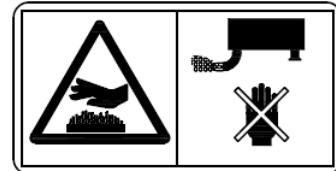


2) Code #: RD579-5745-0

**Risk of burns from hot components!**

Surfaces can be hot and lead to burns.

- Do not touch hot parts, such as exhaust muffler, etc.



3) Code #: 6C090-4958-0

**Danger of cutting and crushing through rotating parts!**

The rotating fans can cut into limbs and the rotating belt drive can pull in and crush limbs.

- Switch off the engine before working in the engine room.
- Ensure that the engine and all the engine parts have come to a complete standstill.
- Do not reach into rotating components.

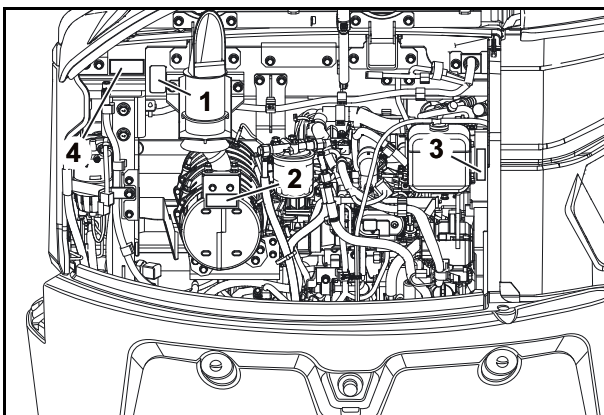
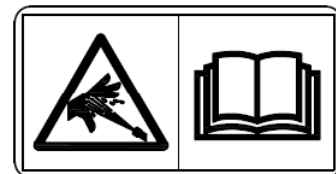


4) Code #: RD579-5727-0

**Danger of injury from liquids under pressure!**

In the case of improper removing the plug of the air bleed hose for hydraulic pump, hydraulic oil can squirt out and lead to penetration into the skin.

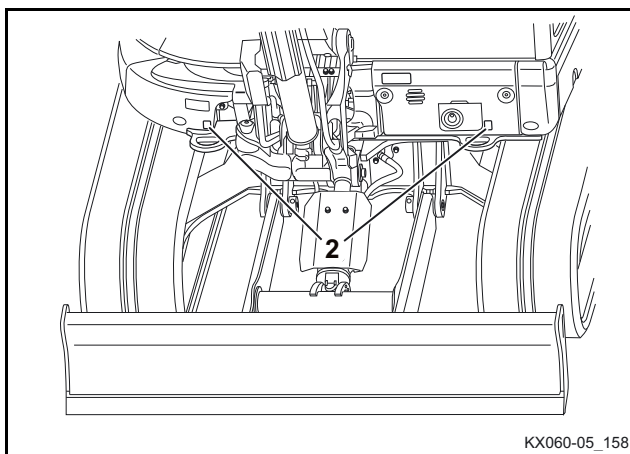
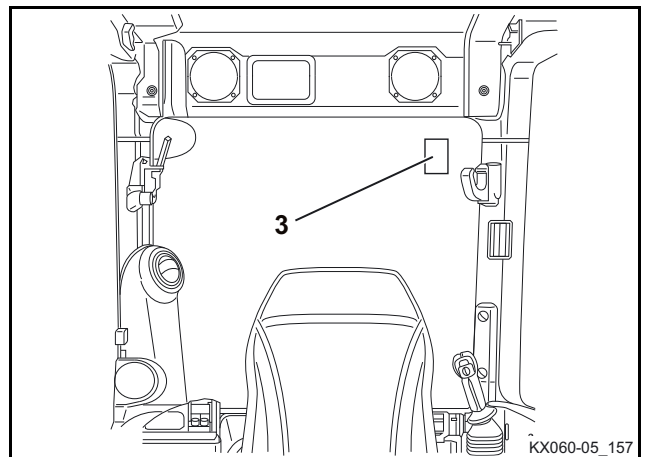
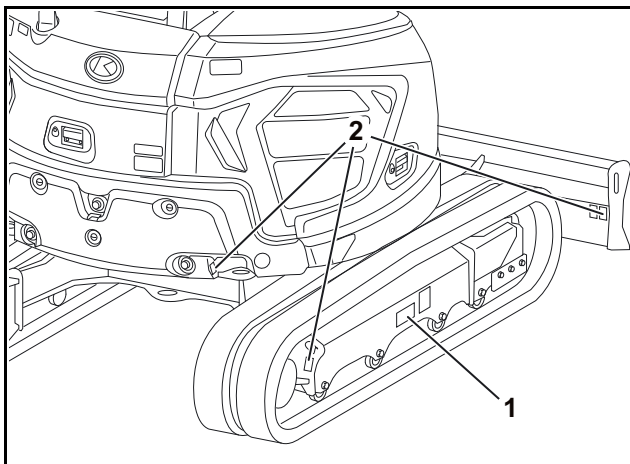
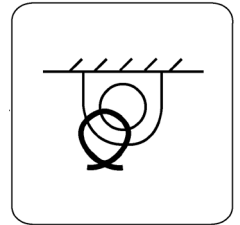
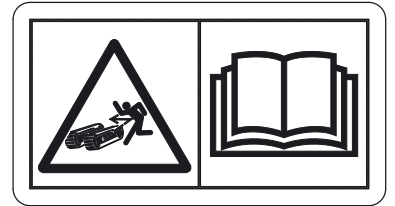
- Before removing the plug of the air bleed hose for hydraulic pump, please read the operating instructions!





## Safety rules

- 1) Code #: RB456-5795-0  
**Danger of injury from components under pressure!**  
 In the case of improper operating of the crawler tensioner, grease or the pressure valve can splash out under high pressure and lead to injury.
  - Before working on the crawler tensioner, please read the operating instructions!
  
- 2) Code #: RD809-5733-0  
 Tie down eye - Use only for lashing the machine!
  
- 3) Code #: RD809-5714-0  
 Emergency exit

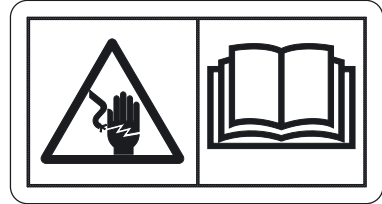


1) Code #: RB456-5786-0

**Danger due to electric current!**

Excess voltage can cause injuries while working on the electrical system.

- Before working on the electrical system, disconnect it from the power supply.
- Wear personal protective equipment.
- Before working on the electrical system, please read the operating instructions!



2) Code #: RD579-5754-0

**Risk of scalding from hot coolant!**

The coolant may leak suddenly when opening the cap of a hot radiator, Posing a risk of scalding your face and hands.

Surfaces can be hot and lead to burns.

- Do not open the hot radiator.
- Allow the machine to cool down before working on the cooling circuit.



3) Code #: RD579-5725-0

**Risk of burns from hot components!**

Surfaces can be hot and lead to burns.

- Do not touch hot parts, such as exhaust muffler, etc.



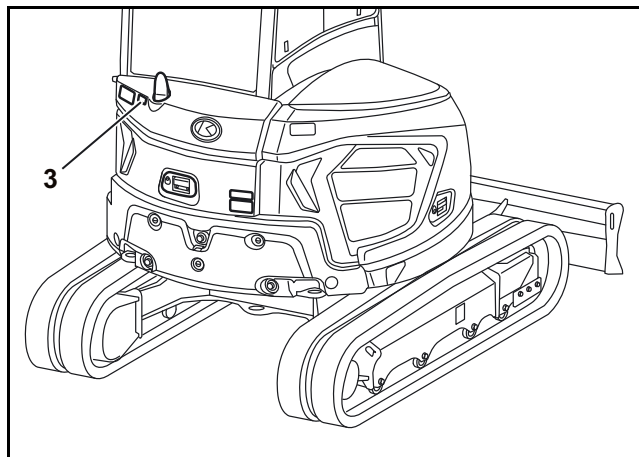
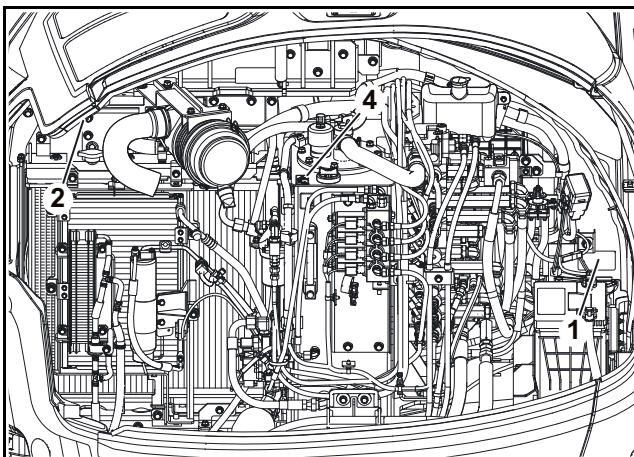
4) Code #: RD579-5724-0

**Danger of injury from liquids under pressure!**

The hydraulic oil may squirt because of internal pressure.

Hot oil may get you burned.

- Before opening any hot component, wait until the hydraulic oil temperature has dropped enough.
- Stop the engine first and then release the internal pressure.



## Safety rules

1) Code #: RD458-5738-0

### **Danger of cutting and crushing through rotating parts!**

The rotating fans can cut into limbs and the rotating belt drive can pull in and crush limbs.

- Switch off the engine before working in the engine room.
- Ensure that the engine and all the engine parts have come to a complete standstill.
- Do not reach into rotating components.

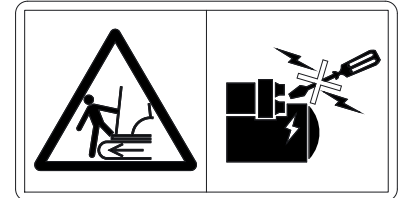


2) Code #: RD579-5739-0

### **Mortal danger from moving machine!**

When staying in the danger zone and in the case of a suddenly starting machine, there is the danger of being run over by the machine.

- Only start the machine from the operator's seat.
- Do not start the machine by bypassing the starter poles.

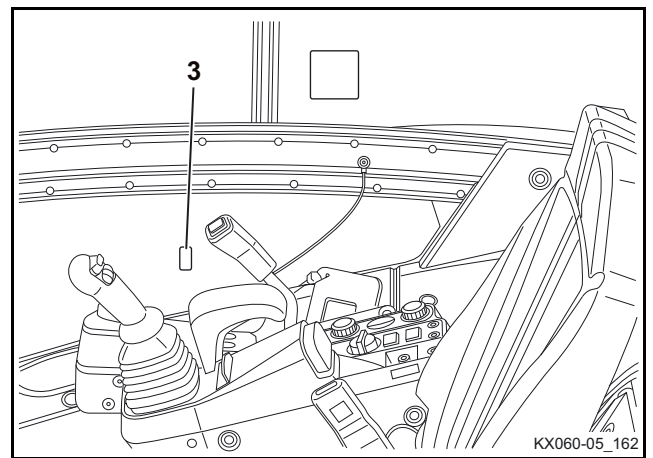
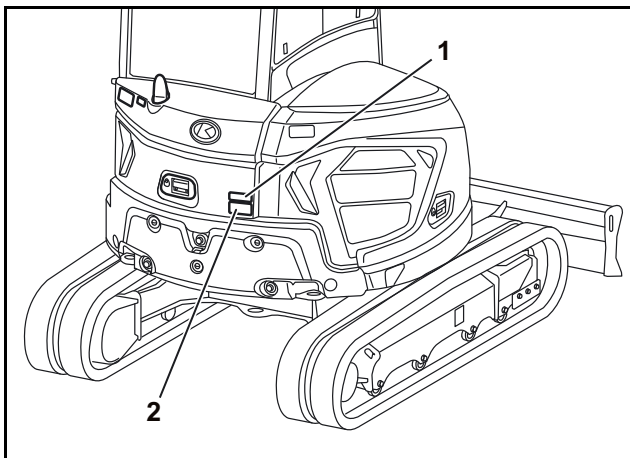
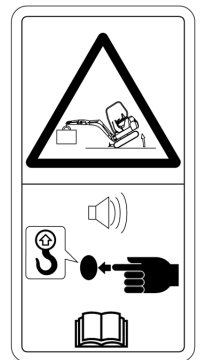


3) Code #: RD559-5749-0

### **Risk of accidents if the load is too heavy during lifting operations!**

An acoustic signal sounds and a warning light flashes if the rated load is exceeded.

- Switch on overload warning system before using the lifting equipment!

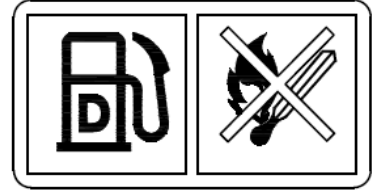


- 1) Code #: RD579-5736-0

**Risk of fire from inflammable diesel fuel!**

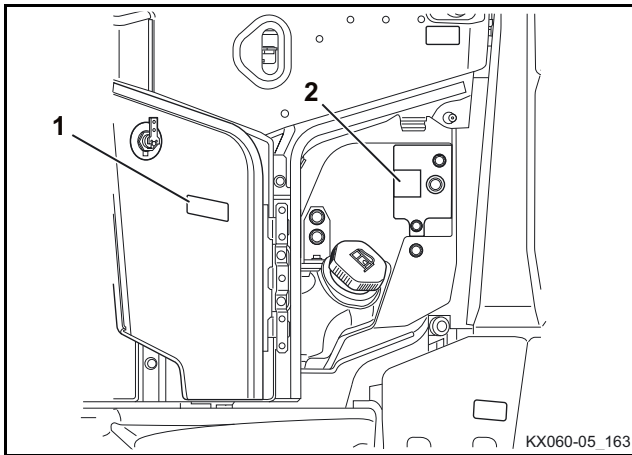
Inflammatory vapours can occur in the fuel tank, which may go up in flames as a result of an ignition source.

- Do not use open flames in the vicinity of the fuel tank.



- 2) Code #: RD451-5748-0

Fill level monitor when refuelling

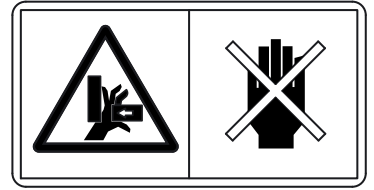


1) Code #: RD579-5755-0

**Risk of being crushed due to narrow gap!**

The gap between the door and the counterweight is narrow. When fastening the cab door to the door stop or to the counterweight, there is a danger of the hands or fingers being crushed in the door crack. When moving down the unload lever, your hands and fingers may get jammed in between the right console and seat bracket.

- Only open and close the cabin door using the grips intended for that purpose.
- Never put your hands and fingers in the gap between them.

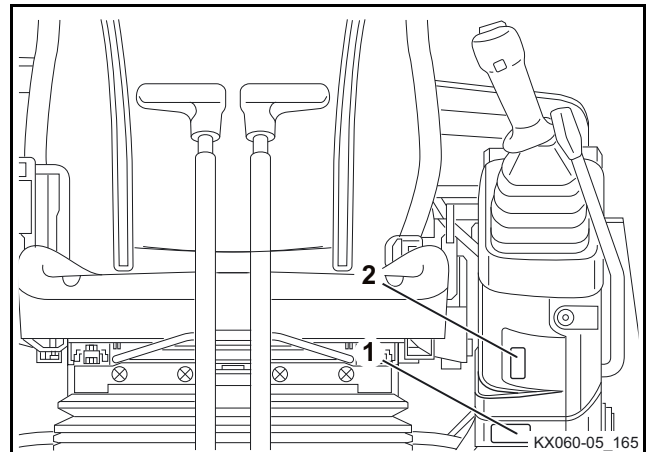
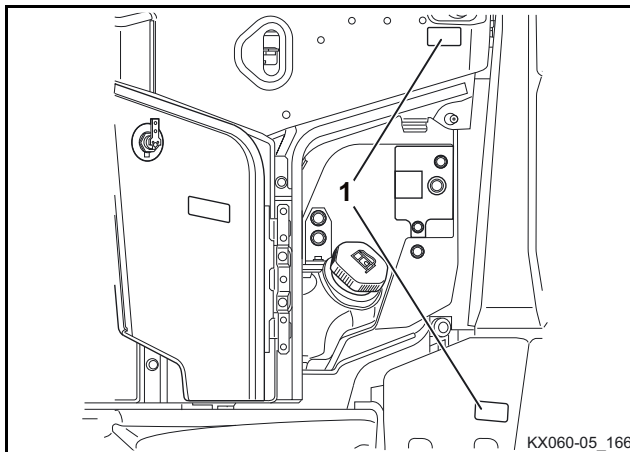
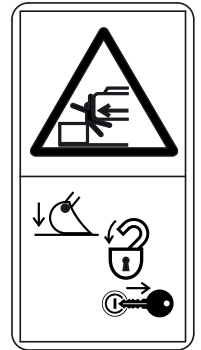


2) Code #: RD579-5783-0

**Mortal danger by crushing!**

Low safe distance to the machine and to obstacles can prevent an emergency exit from the danger zone. Crushing by machine results in severe injury or death.

- Before leaving the machine, lower bucket to the ground.
- Lift the control lever lock, turn the starter switch to the STOP position and remove the key.

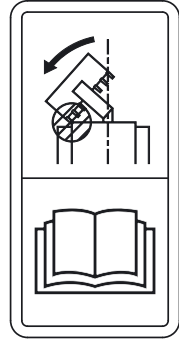


1) Code #: RD839-5739-0

**Caution! Risk of component damage!**

When using a wider or deeper bucket, take good care when swinging or retracting the front attachments to make sure that the bucket does not hit the cab.

- Read the Operating Instructions for the attachment.

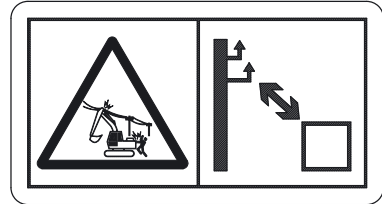


2) Code #: RB456-5788-0

**Danger due to electric current!**

When working in the vicinity of overhead power lines without a sufficient safe distance between them and the machine, the electricity can jump onto the machine.

- Maintain a safe distance from overhead power lines.



3) Code #: RD579-5793-0

**Risk of injury from falling front window!**

If the front window has been pushed up and not is properly bolted, there is a risk that the front window will close automatically and hit the operator in the head.

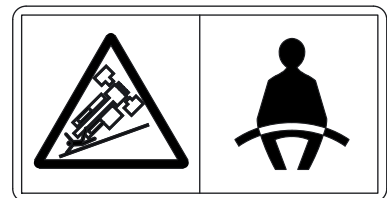
- Always lock front window securely.



4) Code #: RD579-5743-0

**Risk of personal injury!**

- Always buckle up.

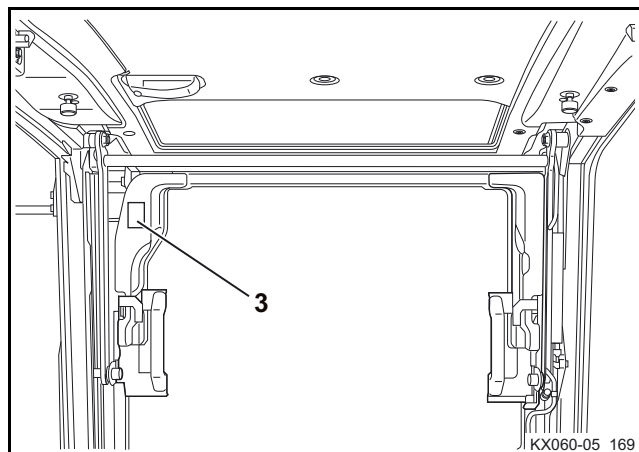
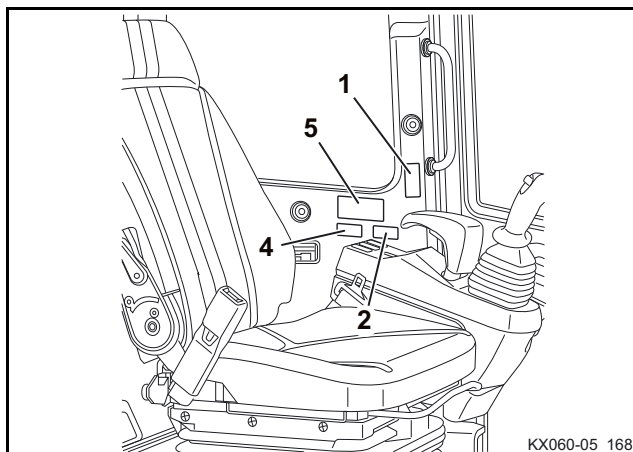
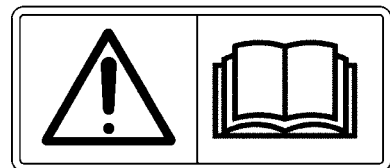


5) Code #: 69198-5784-0

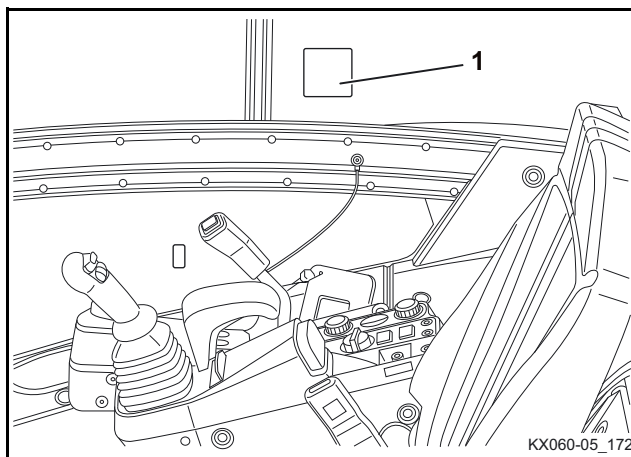
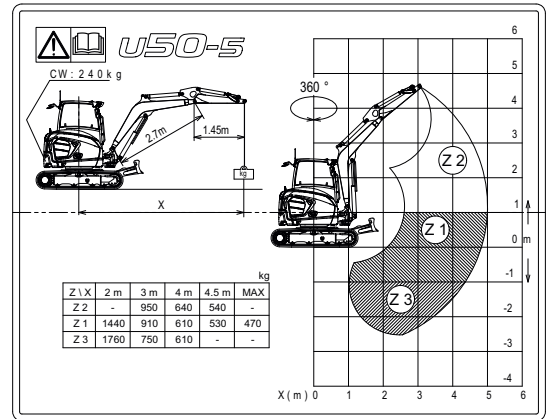
**Risk of accidents due to incorrect operation!**

Improper operating can lead to damage to the machine, to serious accidents with a high risk of injury and death as a result.

- Please read the operating instructions before commissioning.



- 1) Code #: RD479-5747-0  
**Max. lifting load during swivel operation is 360°**



### Safety devices

Before starting the machine, all safety devices must be installed properly and operational. Manipulating the safety devices is prohibited.

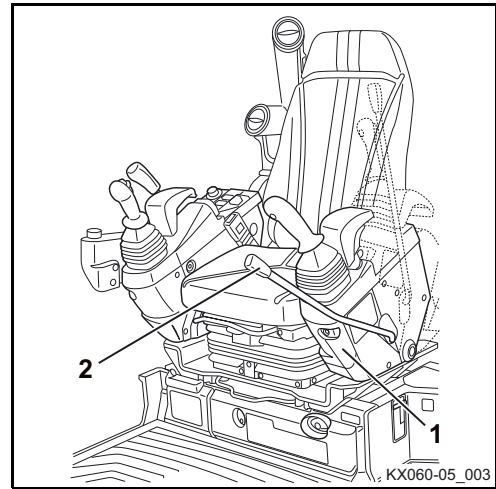
Protective devices may only be removed after

- the machine is standing still and the engine is stopped
- and secured against restarting (starter switch in STOP position and key removed).

### Locking the controls

If the left control console (1) is completely raised with the control lever lock (2), the hydraulic functions of the control lever, the drive lever, the boom swing pedal, the dozer control lever and the auxiliary port are locked. This circumstance allows safe getting on and off.

- To unlock the hydraulic functions, lower the control console completely using the control lever lock.



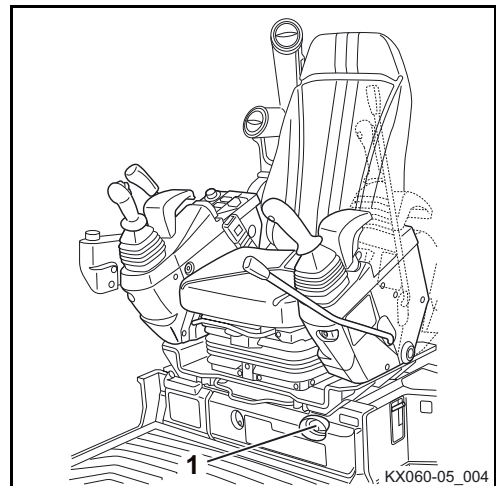
### Engine emergency stop

The engine is stopped when the main key switch is turned to the STOP position.

If the engine cannot be turned off, please operate the engine emergency stop knob in order to turn off the engine.

To stop the engine:

- Pull the knob (1) until the engine stops.
- After the engine has stopped, push in the knob.





## Safety rules

### Protective structure cab



The machine is equipped with a protective structure that protects the operator from severe injury or death if the machine falls over or overturns and in the case of falling objects.

Cab was constructed in accordance with current safety standards and tested for verification as:

Roll-over protection

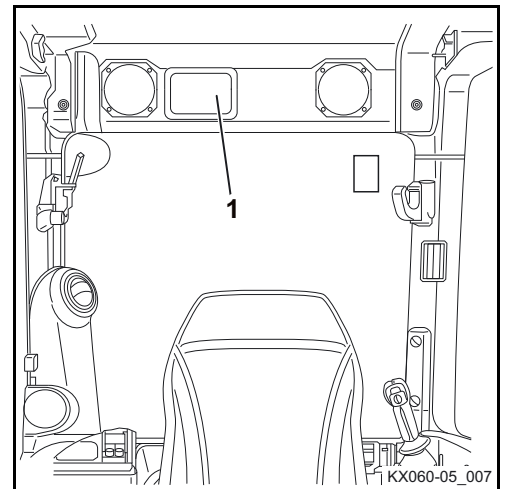
ROPS (Roll-Over Protective Structure)

Protective structure against falling objects

FOPS (Falling-Object Protective Structure)

To ensure greatest protection by means of this protective structure, the following applies:

- Never operate the machine with a higher operating weight than the maximum permissible total weight indicated on the ROPS identification plate (1).
- The seat belt must be fastened while the machine is being operated.
- Do not make any structural changes to the protective structure.
- In the event of damage, please contact your KUBOTA dealer. (Do not repair!)
- Never operate the machine without the protective structure.



When using a hydraulic hammer or other attachment for demolition work where material (e.g. asphalt) is removed and can uncontrollably sputter away, a gravel guard is recommended for protection.



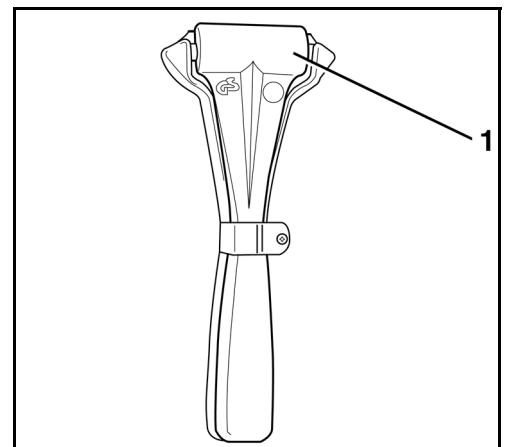
If a front protective grille or a roof protective grille is required, a KUBOTA gravel guard (optional) can be installed.

### Emergency hammer

In case of an accident where the machine cab door and windows can not be opened, the operator can break the window panes with the emergency hammer (1).



When breaking the window pane, close your eyes and cover them with an arm.

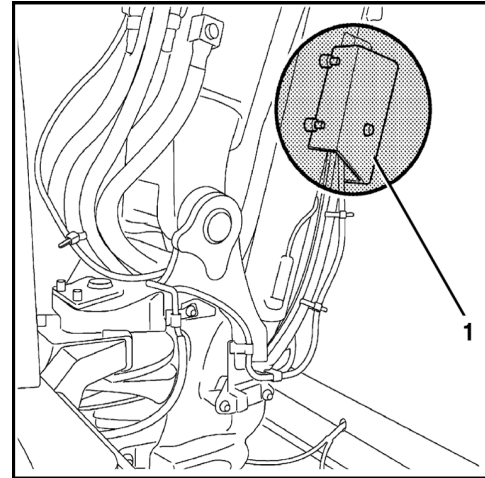


### Pipe safety valve

The pipe safety valve prevents the load from suddenly lowering during lifting operations in the event a pipe or hose bursts.

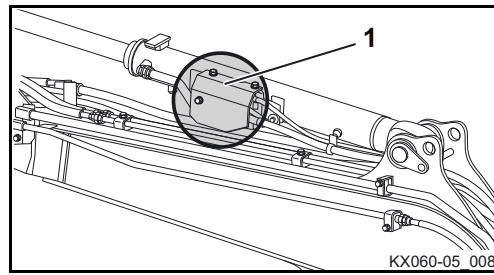
A pipe safety valve (1) is located on the hydraulic port of the boom cylinder and arm cylinder, respectively. Additionally, a pipe safety valve can be mounted to the hydraulic port of the dozer cylinder.

Machines that will be used for lifting operations must be equipped with at least one pipe safety valve on the boom and arm, together with an overload warning system (page 33) according to EN 474-5. If the dozer is being used to increase the machine's stability, an additional pipe safety valve must be installed in accordance with EN 474-1.



To acquire the proper equipment for your machine, please contact your KUBOTA dealer.

The pipe safety valve is adjusted in the factory on the particular machine. Manipulating the pipe safety valve will void the warranty.



*Any manipulation can result in substantial personal injuries, even death, and is therefore strictly prohibited.*

The manipulation and repair of the pipe safety valves is prohibited. They may only be replaced by your KUBOTA dealer as a kit.

### Overload warning system

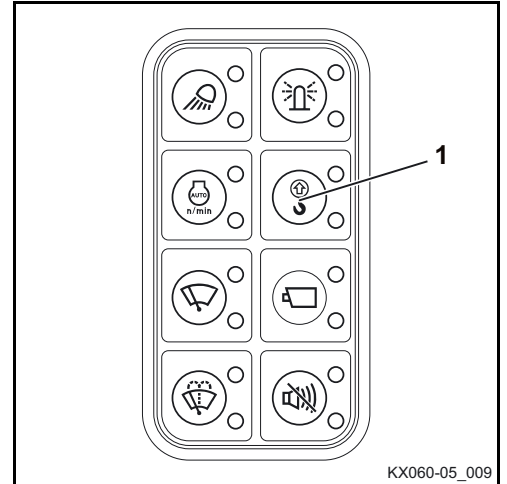
An overload warning function informs the operator immediately if there is an overload. The warning system is controlled by the pressure switch at the pipe safety valve. The load is measured by the pressure at the base of the cylinder.

The warning device is activated with the overload warning switch (1). In the event of an overload, an acoustic signal sounds and "Rated load exceeded" appears in the display.



*When turn the starter switch to the RUN position, an acoustic signal sounds. Before activating overload warning, make sure that you hear an acoustic signal. If you cannot hear it, machine must not be used for lifting operation. Please contact your KUBOTA dealer immediately.*

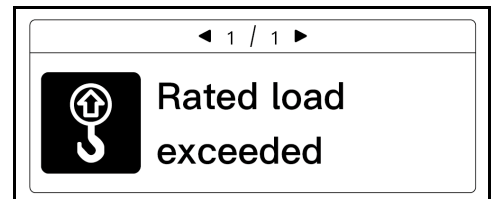
An overload warning function is only available if the machine is equipped for lifting operations. To acquire the proper equipment for your machine, please contact your KUBOTA dealer.



KX060-05\_009

Machines used for lifting operations must be equipped with at least one pipe safety valve on the boom and arm, together with an overload warning device in accordance with EN 474-5.

If the dozer is being used to increase the machine's stability, an additional pipe safety valve must be installed in accordance with EN 474-1.



When changing from rubber crawlers to steel crawlers, or from steel crawlers to rubber crawlers, or when modifying the length of the arm, please contact your KUBOTA dealer.



*The overload warning function must be enabled during any lifting operation to prevent personal injuries and damage to equipment.*

### Hazards coming from the hydraulic system

If hydraulic oil gets into the eyes, rinse them immediately with clear water and subsequently seek medical aid.

Do not allow hydraulic oil to contact the skin or clothing. Skin parts which may have come in contact with hydraulic oil must be washed with water and soap immediately, if possible.

Immediately take off any clothes dirtied or soaked with hydraulic oil.

Persons who have inhaled hydraulic oil vapours (mist) should be taken to a doctor immediately.

If leaks have occurred in the hydraulic system, the machine may not be taken into operation or, if in operation, operation must cease at once.

Do not use the naked hand to search for leaks; always use a piece of wood or cardboard. Protective clothing (eye protection and gloves) must be worn when seeking leaks.

Leaking hydraulic oil must be bound immediately with an oil binding agent. The contaminated oil binding agent must be stored in suitable containers and in accordance with the valid regulations.

### Fire protection



*The machine components and attachments (in particular the engine and the exhaust system) reach high temperatures even at normal working conditions. An electric installation which is damaged or not properly serviced may lead to flashovers and/or electric arcs. The following Fire Protection Guidelines may help you ensure the maintenance and efficiency of your equipment and minimize fire hazards.*

- Remove any accumulated dirt adjacent to hot components, e.g. engine, DPF muffler, exhaust manifold/tubes, etc. If the machine is being used to full capacity, the cleaning procedure should be performed more frequently.
- Accumulated residues from plants and trees, or any other flammable materials, should be removed from the machine. This must be observed in particular in the proximity of the engine and the exhaust system, but also at the swivel frame, the track frame, and the boom.
- Check the condition and wear of all fuel lines and hydraulic hoses. Any worn or damaged parts should be replaced immediately in order to avoid leakage.
- Electric cables and connections must be checked regularly for signs of damage. Damaged components and lines must be replaced or repaired before starting up the machine. All electric connections must be kept clean and tight.
- Exhaust pipes and mufflers must be checked daily for leaks, damage and any loose or missing joints. Leaking or damaged exhaust system components must be replaced or repaired before starting up the machine.
- Always keep a multipurpose fire extinguisher at or close to the machine. Make yourself familiar with the operation of the fire extinguisher. In the event of fire in the electrical or hydraulic system, use a CO<sub>2</sub> fire extinguisher to combat the fire.

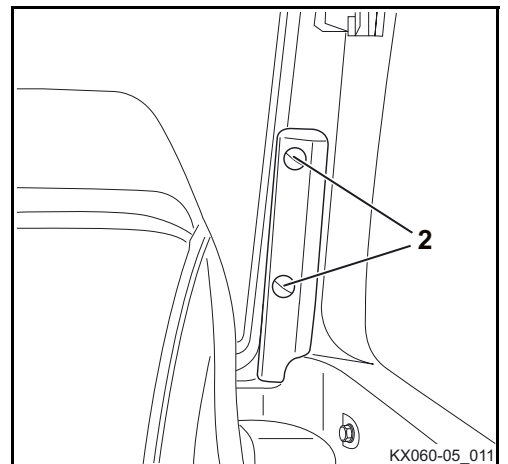
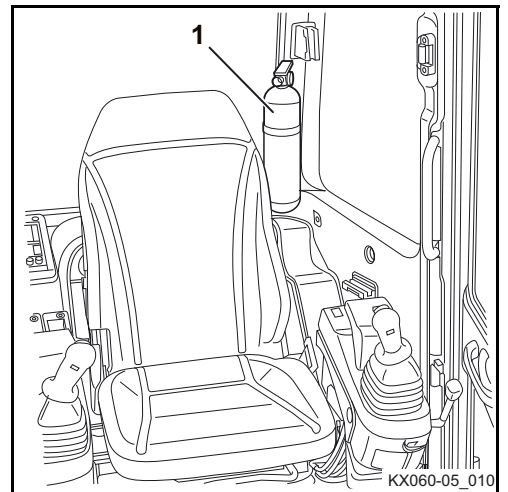
## Safety rules

- For attaching a fire extinguisher (1) two threads (2) have been inserted in the cab construction on the left side behind the driver's seat.



*A fire extinguisher is not included in the basic equipment of the machine.*

A fire extinguisher, including its mounting bracket, can be mounted on board, if they weigh less than 10 kg.





## RECOVERY, LOADING AND TRANSPORT

### Safety rules for recovery

- For recovery of the machine, a towing vehicle of at least the same weight class as the machine must be used.
- A tow bar must be used for the recovery. If a tow rope is used, an additional vehicle to brake the machine must also be attached. The tow bar or tow rope must be suitable for the recovery of the machine in respect of the towed load. Do not use damaged recovery aids.
- Do not step into the danger zone between the vehicles during the recovery procedure. If a tow rope is used, keep a distance of at least 1.5 times the length of the rope.
- Use the towing eye on the track frame for the recovery.
- The above safety rules also apply if the machine is used as the towing or recovery vehicle.
- Observe the admissible values for the towed load and the maximum pressing load vertical down on the towing eye during recovery, see „Specifications“ (page 46).

### Safety rules while loading with a crane

- Crane and lifting gear must be suited for the absorption of the load to be lifted and be approved.
- Before the use of the crane and the lifting gear, make sure that the specified safety inspections at regular intervals have been carried out and that the crane and lifting gear are in good working order and impeccable condition.
- The machine may only be lifted at the points provided. Lifting from the cab roof is prohibited as this can cause severe damage.
- Never attach a crane hook to the lower edge of the dozer! The crane hook can slip off sideways while lifting and the machine may fall off.
- Always adhere to the valid safety regulations for the lifting of loads.
- The machine must be secured with a holding rope when it is being lifted.
- The crane operator is responsible for the observance of these safety rules.

### Safety rules for transport



*Risk of accidents due to defective load safety device!  
The following safety rules must be observed.*



*Risk of accidents due to unapproved use of the machine!  
Driving the machine onto the transport vehicle without using ramps and with the help of the boom is prohibited!*

- Check whether the transport vehicle is designed for carrying the machine. Only transport the machine on a transport vehicle with sufficient load-bearing capacity.
- Engage the hand brake on the transport vehicle and secure the front and rear wheels using chocks to prevent the vehicle from rolling away.
- Make sure the ramps to be used have sufficient load-bearing capacity to carry the operating weight of the machine.
- Only use ramps with sufficient load-bearing capacity. They must be wider than the machine's chains and have footboards on the sides.
- Position the ramps on the transport vehicle so that the centre line of the transport vehicle is aligned with the centre line of the machine to be loaded.
- Securely fasten the ramps to prevent them from sliding.
- In order to prevent the transport vehicle from tilting when driving the machine onto it, brace the rear of the transport vehicle with adequately dimensioned supports.
- Before driving the machine onto the transport vehicle, clean the loading area and chains of the machine in order to ensure as much friction as possible between the chains and the loading area.
- Assign a guide for driving the machine up and down the ramp. The guide is responsible for ensuring safe loading.
- Only move the machine when instructed to do so by the guide. The operator and guide must maintain constant eye contact. If the operator cannot see the guide, stop the machine immediately.
- Secure the machine on the transport surface to prevent it from sliding, e.g. using anti-slip materials, wooden beams, wedges or wooden structures. This auxiliary equipment must be secured to prevent it from coming loose and becoming lost, e.g. by using tacks on a wooden transport surface.
- In order to ensure the machine's stability during transport, lash down the machine appropriately using the determined preload force on the transport vehicle.
- Only use approved and labelled lashing material, such as lashing straps or sling chains that are suited for the machine's weight.
- The driver of the transport vehicle is responsible for securely fastening the machine onto the vehicle.
- When transporting the machine, always maintain a distance of 1.0 m from overhead power lines. The permitted dimensions for the transport vehicle including the loaded machine must be observed in accordance with the applicable traffic rules and regulations.



## Recovery

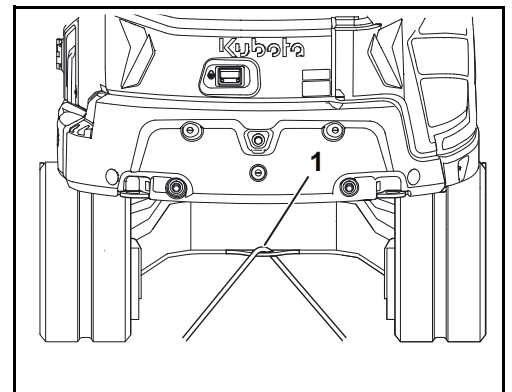


Adhere to the safety rules (page 13) and the safety rules for recovery (page 37).



A recovery is only allowed over a short distance and at walking speed (0.5 m/s ~ 1.0 m/s).

- Attach the tow bar or tow rope to the attachment point (1) on the machine and to the towing vehicle.
- If the attachment point of the machine is not accessible, a tow rope can also be fastened around the centre of the dozer.
- During the recovery procedure, the operator must be seated on the operator's place.
- Drive slowly with the towing vehicle to avoid abrupt loads.

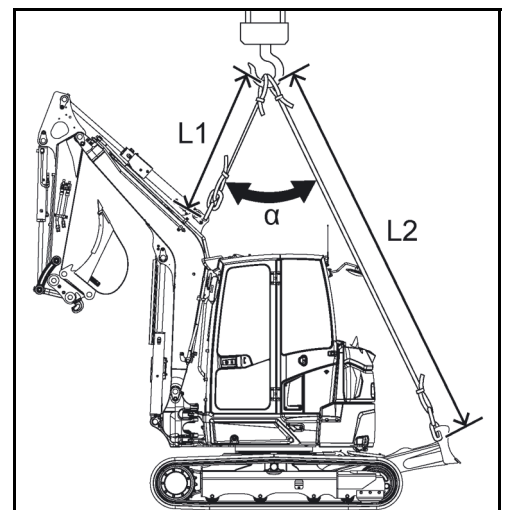


## Hoisting the machine with a crane



Adhere to the safety rules (page 13) and the safety rules for hoisting the machine with a crane (page 37).

- Bring the machine to the lifting position (see figure) on level ground.
- Lift the dozer until the dozer cylinders are fully retracted. Also see the "Excavation work (operating the controls)" section (page 117).
- Bring the boom in line with the longitudinal axis of the swivel frame.
- Completely extend the boom cylinder, arm cylinder and bucket cylinder.
- Swivel the swivel frame so that the dozer is located at the rear.
- Close and lock the door and covers.

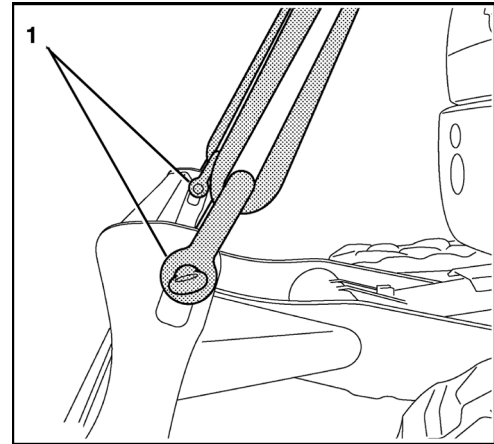


$\alpha$ (°)	L 1 (mm)	L 2 (mm)
< 68	1330	3680

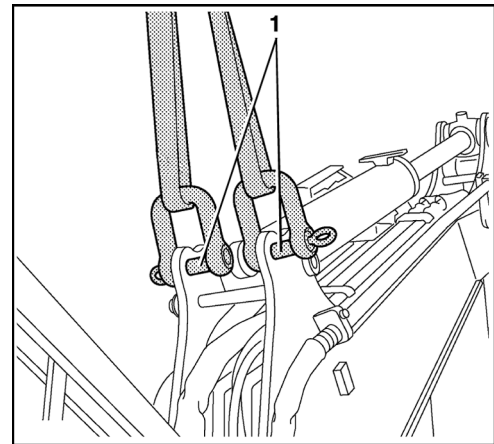


The machine may only be lifted at the points provided. Lifting from any other points is prohibited as this can cause serve damage.

- Attach the lifting gear with shackles to the lifting eyes (1) on each side of the dozer.



- Attach the lifting gear with shackles to the lifting eyes (1) on each side of the boom.



- As soon as the lifting gear is attached to the machine, press cloths between lifting gear and machine to protect the machine.
- Always keep the machine level. Be sure that the centre line of the crane hook is aligned as exactly as possible with the centre line of the machine and that the lifting angle is as specified. Lift the machine.



**Risk of accidents!**

*Lifting the machine from unapproved lifting points can cause the machine to fall.*

- Only lift the machine from the intended lifting points.
- Lifting from the cab roof is prohibited!

Be careful not to allow the optional rotary beacon, if attached, to come into contact with the lifting gear.

## Transport on a flat bed trailer



Adhere to the „Safety rules“ chapter (page 13) and the „Safety rules for transport“ section (page 38).



### **Mortal danger by crushing!**

Nobody is allowed in the loading area or in close proximity to that area while operating the machine on the ramp and in the loading area, e.g. when driving onto the ramp or when rotating the swivel frame.

- Guides must maintain a safe distance from the machine.



### **Risk of accidents due to machine falling down!**

When changing the direction of travel or when manoeuvring the machine, it can slip and fall off the ramp or loading area.

- Do not turn or steer when driving up the ramps.
- If the machine cannot be driven safely and in straight line onto the loading area, drive the machine back down, realign it and drive straight ahead onto the area.
- Only work with a guide.



### **Caution when rotating the swivel frame!**

The front attachments can hit the transport vehicle. This can damage the transport vehicle and the machine.

- Only work with a guide.

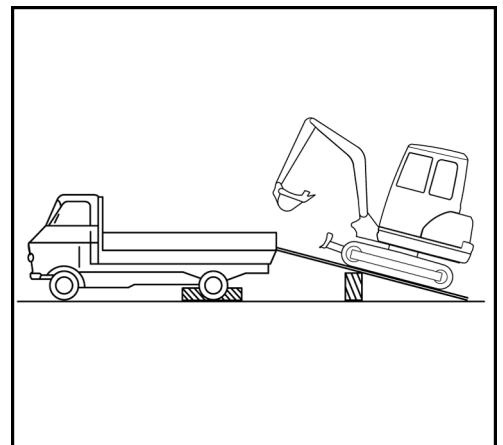


### **Risk of accidents due to malfunction in transport safety device!**

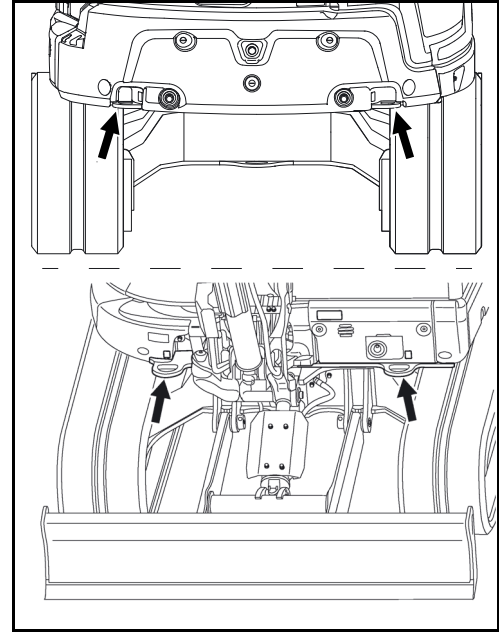
The machine's lashing points are designed and constructed to secure the machine safely. If fastening points other than the lashing points described here are used, the transport safety device could malfunction and the machine could slip or fall from the transport vehicle while being transported.

- Only used the indicated lashing points for the transport safety device.

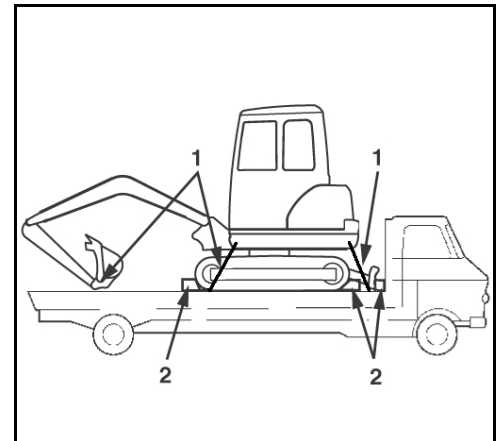
- Provide approved and labelled lashing material, such as lashing straps or sling chains, that are appropriate for the machine's weight (page 46).
- Place the loading ramps on the transport vehicle at an angle of 10° to 15°. When doing so, take into account the track width of the machine.
- Fasten the ramps to the transport vehicle in such a way that they do not slide when driving the machine onto it.
- Align the machine with the centre of the ramps and drive it straight onto the loading area until it has reached the parking space.
- Lower the dozer onto the loading area.
- Rotate the swivel frame 180° until the front attachments face the rear of the transport vehicle.
- Completely retract the arm and bucket. Lower the boom until the bucket linkages touch the loading area.



- To secure the vehicle, use the tie-down points as illustrated in the figure.



- Secure the machine in front of and behind the chains and the dozer to prevent it from slipping, e.g. using wooden beams (2). Secure the machine using appropriate and labelled lashing material (1).
- After loading and securing the machine, tightly close all of its covers and doors.

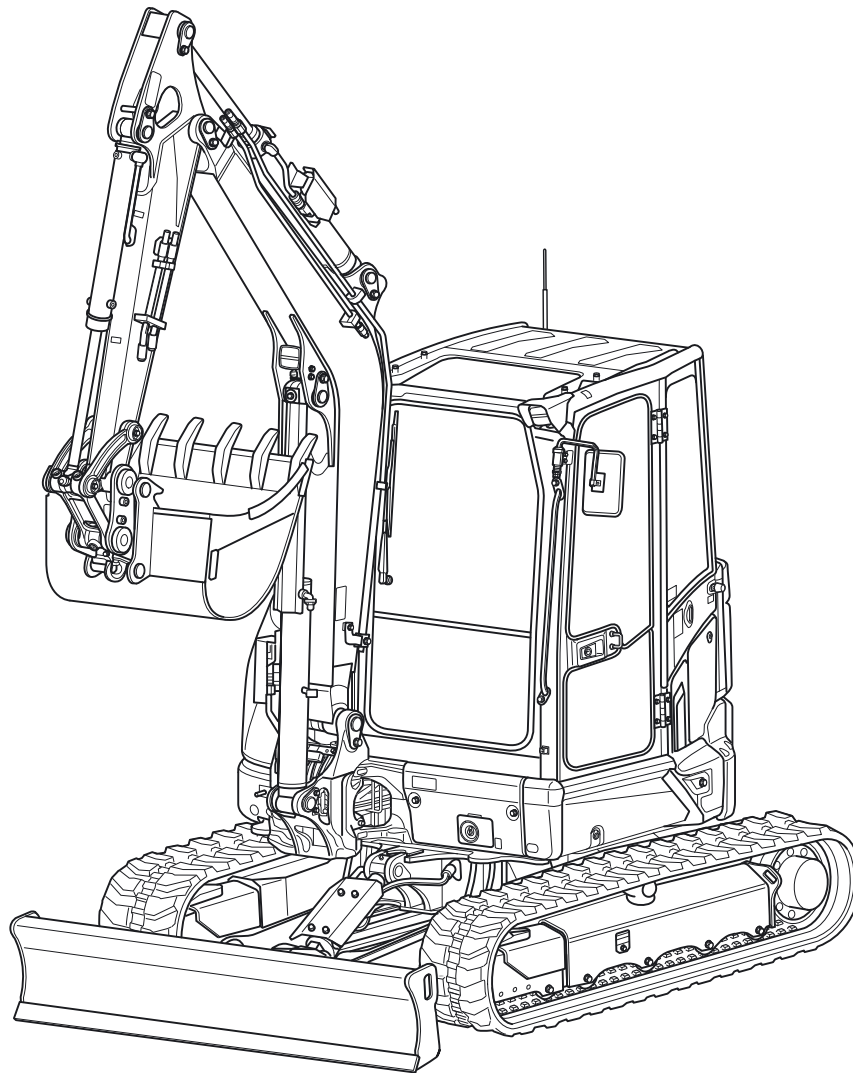


## DESCRIPTION OF THE MACHINE

### Model overview

The excavator is available in the model series U50-5.

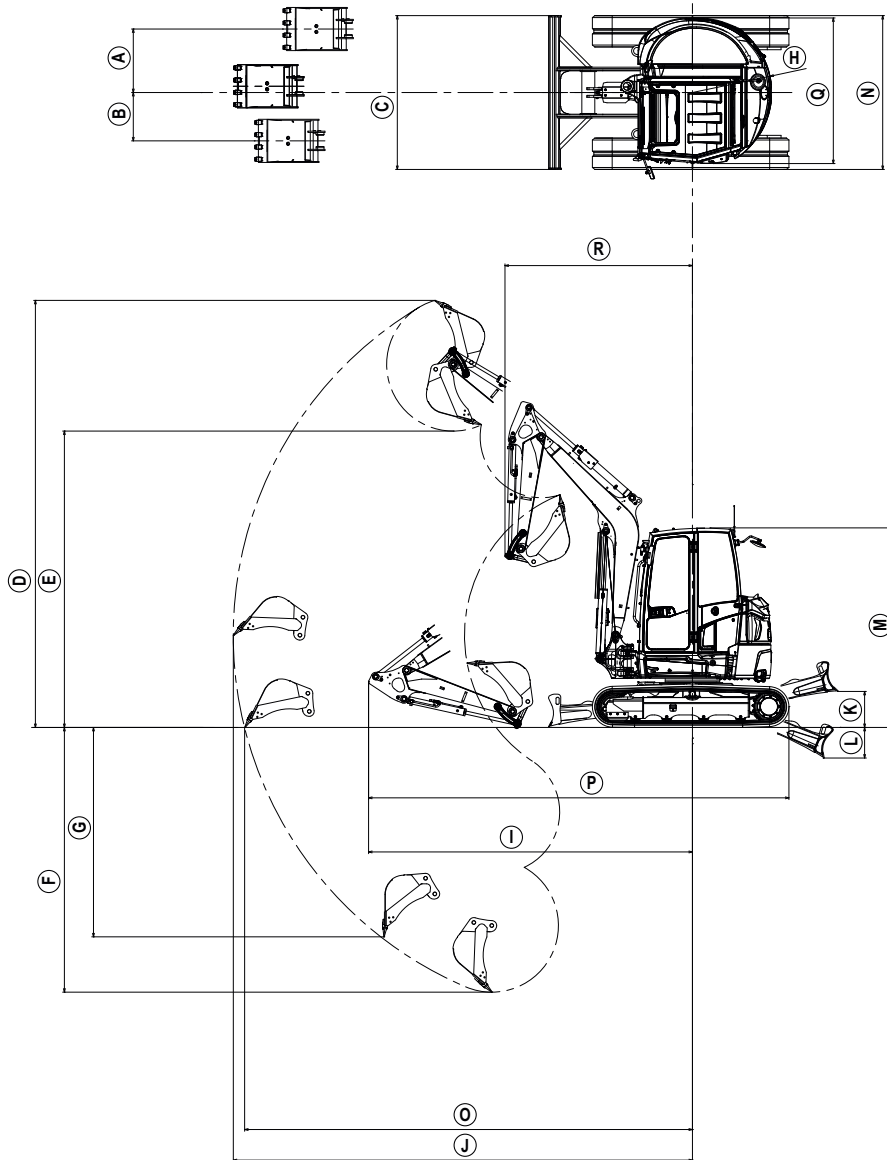
### Model U50-5



### Dimensions

The dimensions of the model U50-5 can be found in the following illustrations including tables.

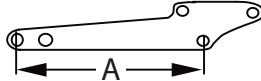
### Dimensions U50-5



## Description of the machine

A	B	C	D	E	F	G	H	I	J
810	620	1960	5440	3775	3370	2670	1010	4125	5850
K	L	M	N	O	P	Q	R		
440	405	2550	1960	5705	5355	1855	2400		

### Arm version

Name	Type	
Arm 1450 mm		A = 1450 mm

All dimensions in mm with original KUBOTA bucket and rubber crawlers.  
Subject to technical changes.

### Specifications

Following are the specifications for these series.

			KUBOTA Excavator
Model name			U50-5
Type			Cab
			Rubber crawler
Machine weight*		kg	4890
Operating weight**		kg	4965
Bucket (KUBOTA)	Volume (CECE)	m <sup>3</sup>	0.13
	Width with teeth	mm	595
Engine	Type		Vertical, water cooled 4-cycle diesel engine
	Model name		D1803-CR-TE5-BH
	Displacement		cm <sup>3</sup> 1826
	Engine performance (ISO 14396)		kW 29.7
	Rated speed		1/min 2200
	CO <sub>2</sub> emission*** (Engine family KKBXL01.8E1D)	Non-road transient test cycle	
Non-road steady-state test circle		g/kWh 776.7	
Performance	Swivel frame swivel speed		1/min 9.2
	Vehicle speed	Fast speed km/h 4.9	
		Slow speed km/h 2.8	
	Ground pressure (without operator)		kPa 28.0
	Climbing performance		% (degrees) 36 (20)
	Max. lateral sway		% (degrees) 27 (15)
Dozer	(width x height)		mm 1960 x 410
Swing angle of the boom	Left	degrees	70
	Right	degrees	53
AUX port 1	Max. flow rate (theoretical)		l/min 65
	Max. pressure		MPa (bar) 20.6 (206)
AUX port 2	Max. flow rate (theoretical)		l/min 37
	Max. pressure		MPa (bar) 20.6 (206)
Fuel tank capacity			l 66
Pulling capacity at the towing eyes			N 74900
Vertical load at the towing eyes			N 13000
Noise level	LpA		dB (A) 71
	LwA (2000/14/EC)		dB (A) 96



## Description of the machine

Vibration ****	Hand-arm system (ISO 5349-2:2001)	Digging	m/s <sup>2</sup> RMS	< 2.5
		Levelling	m/s <sup>2</sup> RMS	< 2.5
		Driving	m/s <sup>2</sup> RMS	< 2.5
		Idling	m/s <sup>2</sup> RMS	< 2.5
	Whole body (ISO 2631-1:1997)	Digging	m/s <sup>2</sup> RMS	< 0.5
		Levelling	m/s <sup>2</sup> RMS	< 0.5
		Driving	m/s <sup>2</sup> RMS	< 0.5
		Idling	m/s <sup>2</sup> RMS	< 0.5

\* Prepared for operation with original KUBOTA bucket 119 kg.

\*\* Machine weight, incl. operator 75 kg.

\*\*\* This CO<sub>2</sub> measurement results from testing over a fixed test cycle under laboratory conditions a(n) (parent) engine representative of the engine type (engine family) and shall not imply or express any guarantee of the performance of a particular engine.

\*\*\*\* These values are measured under specific conditions at maximum engine speed and can deviate, depending on the operating situation.

		KUBOTA Excavator	
Model name		U50-5	
Type		Cab	
		Steel crawler	
Machine weight*		kg	5020
Operating weight**		kg	5095
Bucket (KUBOTA)	Volume (CECE)	m <sup>3</sup>	0.13
	Width with teeth	mm	595
Engine	Type		Vertical, water cooled 4-cycle diesel engine
	Model name		D1803-CR-TE5-BH
	Displacement		cm <sup>3</sup> 1826
	Engine performance (ISO 14396)		kW 29.7
	Rated speed		1/min 2200
	CO <sub>2</sub> emission*** (Engine family KKBXL01.8E1D)	Non-road transient test cycle	
Non-road steady-state test circle		g/kWh 776.7	
Performance	Swivel frame swivel speed		1/min 9.2
	Vehicle speed	Fast speed	km/h 4.9
		Slow speed	km/h 2.8
	Ground pressure (without operator)		kPa 28.7
	Climbing performance		% (degrees) 36 (20)
	Max. lateral sway		% (degrees) 27 (15)
Dozer (width x height)		mm 1960 x 410	
Swing angle of the boom	Left	degrees 70	
	Right	degrees 53	
AUX port 1	Max. flow rate (theoretical)	l/min 65	
	Max. pressure	MPa (bar) 20.6 (206)	
AUX port 2	Max. flow rate (theoretical)	l/min 37	
	Max. pressure	MPa (bar) 20.6 (206)	
Fuel tank capacity		l 66	
Pulling capacity at the towing eyes		N 74900	
Vertical load at the towing eyes		N 13000	
Noise level	LpA	dB (A) 71	
	LwA (2000/14/EC)	dB (A) 96	

## Description of the machine

Vibration ****	Hand-arm system (ISO 5349-2:2001)	Digging	m/s <sup>2</sup> RMS	< 2.5
		Levelling	m/s <sup>2</sup> RMS	< 2.5
		Driving	m/s <sup>2</sup> RMS	< 2.5
		Idling	m/s <sup>2</sup> RMS	< 2.5
	Whole body (ISO 2631-1:1997)	Digging	m/s <sup>2</sup> RMS	< 0.5
		Levelling	m/s <sup>2</sup> RMS	< 0.5
		Driving	m/s <sup>2</sup> RMS	< 0.5
		Idling	m/s <sup>2</sup> RMS	< 0.5

\* Prepared for operation with original KUBOTA bucket 119 kg.

\*\* Machine weight, incl. operator 75 kg.

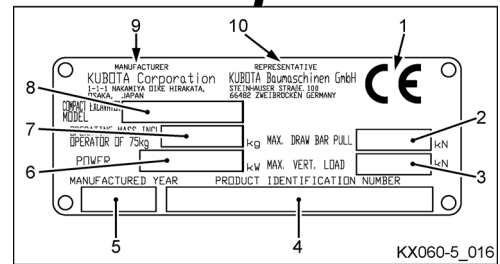
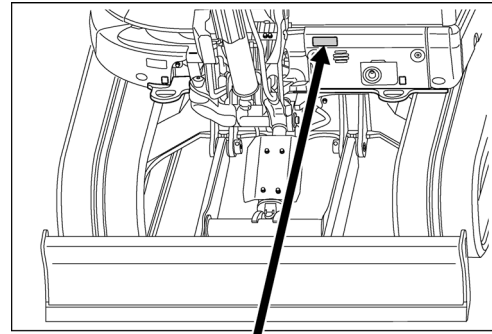
\*\*\* This CO<sub>2</sub> measurement results from testing over a fixed test cycle under laboratory conditions a(n) (parent) engine representative of the engine type (engine family) and shall not imply or express any guarantee of the performance of a particular engine.

\*\*\*\* These values are measured under specific conditions at maximum engine speed and can deviate, depending on the operating situation.

### Identification of the machine

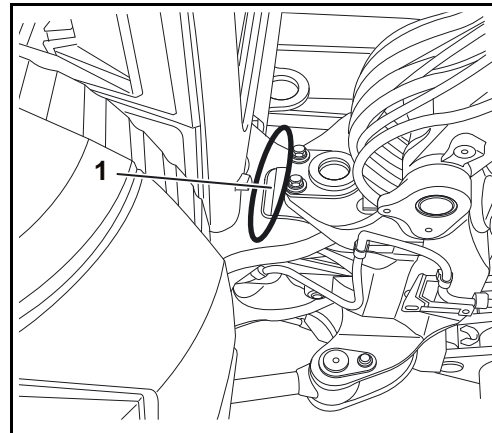
The type plate of the machine is located at the front of the swivel frame. The owner should enter the stamped data in the field on the back of the front cover.

1. CE label
2. Max. pulling capacity at the towing eyes
3. Max. vertical load at the towing eyes
4. Product identification number
5. Year of construction
6. Engine performance
7. Operating weight
8. Model name
9. Manufacturer
10. Representative



### Product identification number

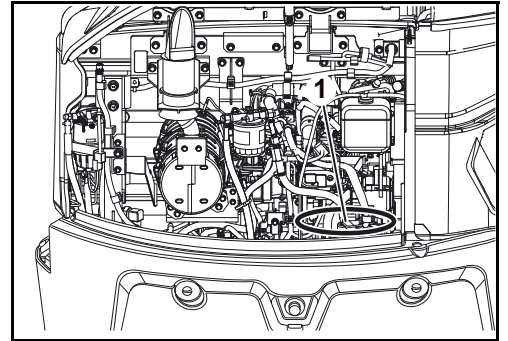
The machine's product identification number (1) is stamped on the swivel frame near the swing bracket.



## Description of the machine

### Engine number

The engine number (1) is affixed to the engine block.



### Standard equipment

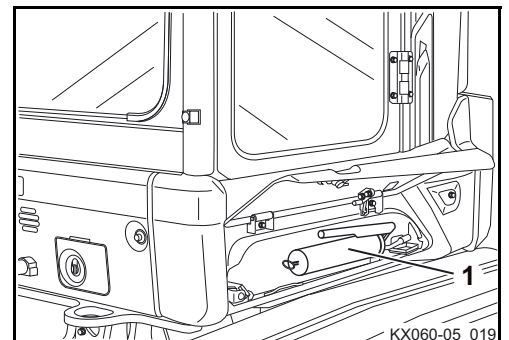
This model has the following standard equipment:

- Operating instructions with protective cover
- Spare parts catalogue
- Filter wrench
- Grease gun
- Spare fuses (30 A, 50 A, 80 A)
- Guarantee

Stow the filter wrench and other tools in the tool compartment (page 63).

The spare parts catalogue, guarantee and spare fuses can be stowed together with the operating instructions (page 12).

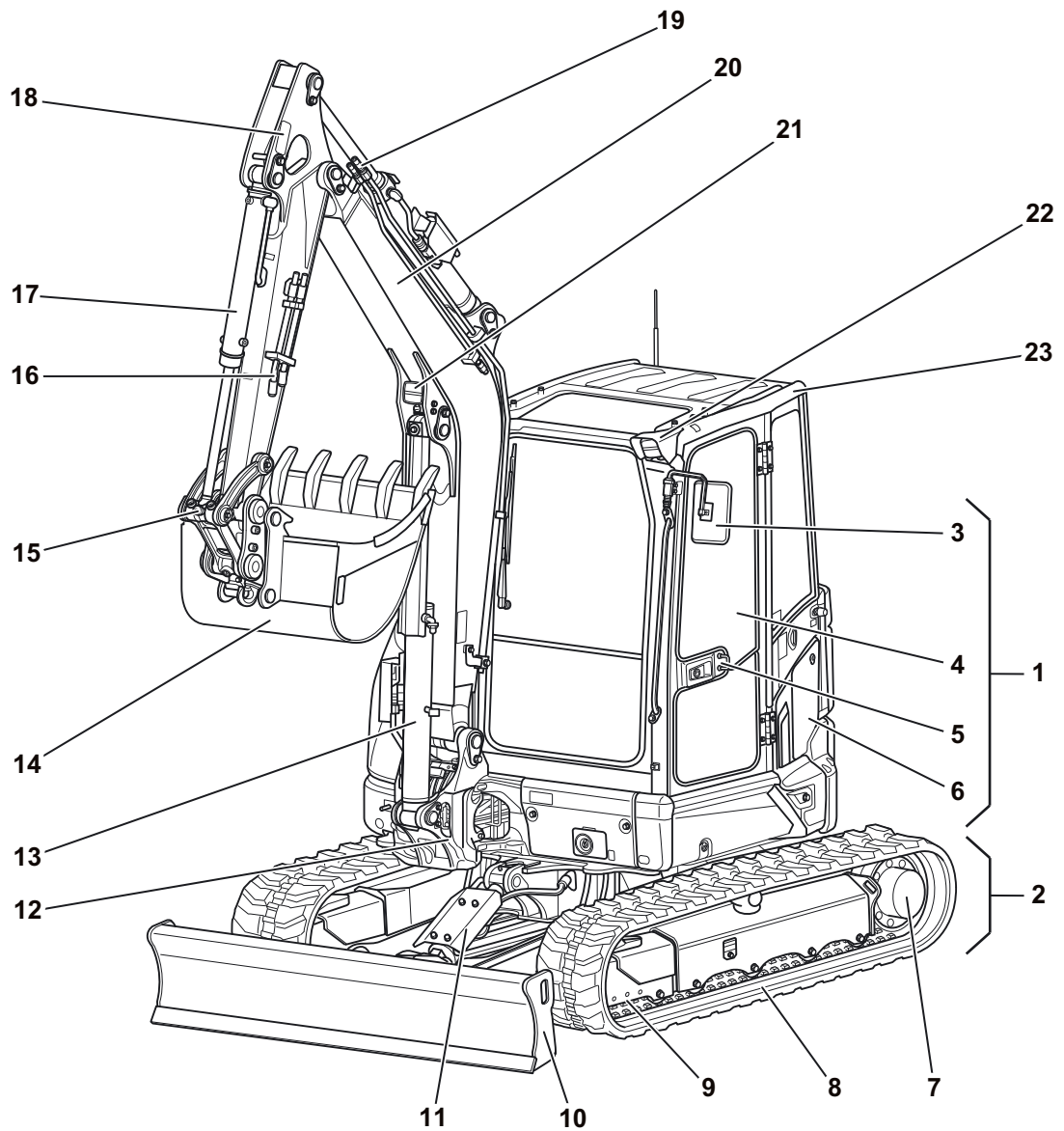
Stow the grease gun (1) under the left swivel cover.





# ASSEMBLY AND FUNCTIONS

## Component overview

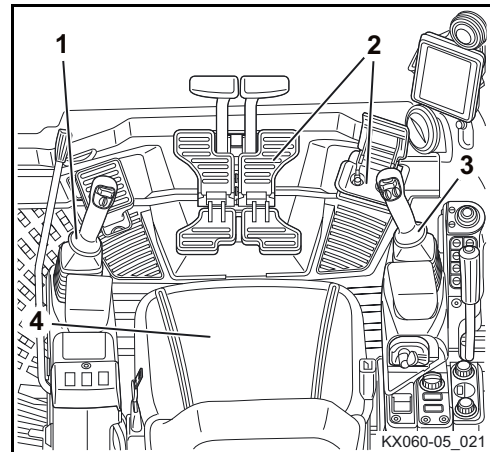


- |                     |                               |
|---------------------|-------------------------------|
| 1. Swivel frame     | 13. Boom cylinder             |
| 2. Track frame      | 14. Bucket                    |
| 3. Rear view mirror | 15. Bucket linkage            |
| 4. Operator's place | 16. Auxiliary port connectors |
| 5. Cab door         | 17. Bucket cylinder           |
| 6. tank filler neck | 18. Arm                       |
| 7. Drive sprocket   | 19. Arm cylinder              |
| 8. Crawler          | 20. Boom                      |
| 9. Front idler      | 21. Working light (boom)      |
| 10. Dozer           | 22. Working lights (cab)      |
| 11. Dozer cylinder  | 23. Cab                       |
| 12. Swing block     |                               |

### Operator's place

The operator's place is located in the middle of the cab. It includes the following control elements:

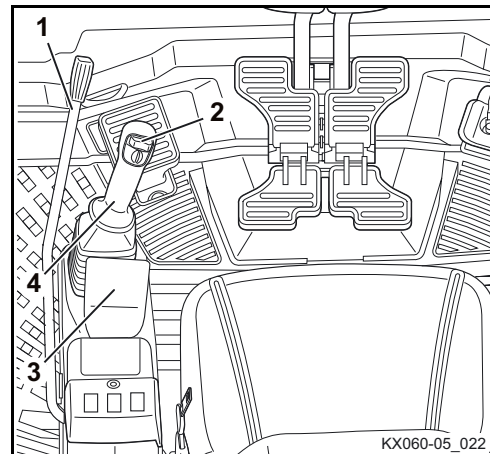
1. Left control console
2. Drive levers and control pedals
3. Right control console
4. Operator's seat



### Left control console

The left control console includes the following components:

1. Control lever lock
2. Rocker switch for auxiliary port 2 (optional)
3. Wrist rest
4. Left control lever





## Description of the components of the left control console

### 1. Control lever lock

To enter and leave the cab, the console must be raised by pulling up the control lever lock. The engine can only be started if the console is raised. The hydraulic functions of the control lever, the drive lever, the boom swing pedal, the dozer control lever and the auxiliary port are locked.

### 2. Rocker switch for auxiliary port 2 (optional)

The rocker switch for auxiliary port 2 controls the oil flow to auxiliary port 2. Turning the rocker switch to the left causes the oil to flow towards the connector on the left-hand side of the arm. Turning the rocker switch to the right causes the oil to flow towards the connector on the right-hand side of the arm. Auxiliary port 2 can be controlled proportionally (infinitely variable).

### 3. Wrist rest

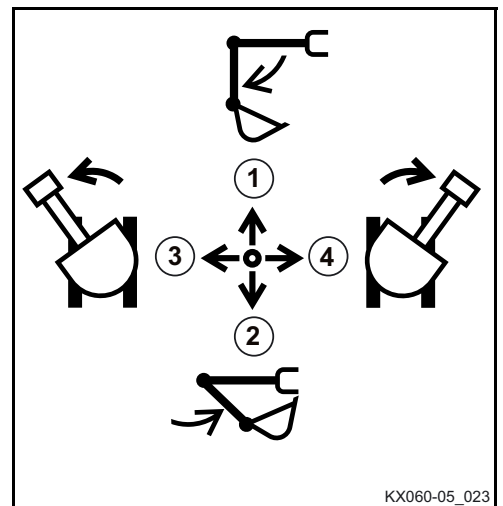
The wrist rest allows fatigue-free operation of the control lever.

### 4. Left control lever

The left control lever is used to move the swivel frame and the arm.

The figure, in conjunction with the following table, shows the functions of the left control lever.

Position of control lever	Movement
1	Arm dump
2	Arm crowd
3	Swivel frame to the left
4	Swivel frame to the right



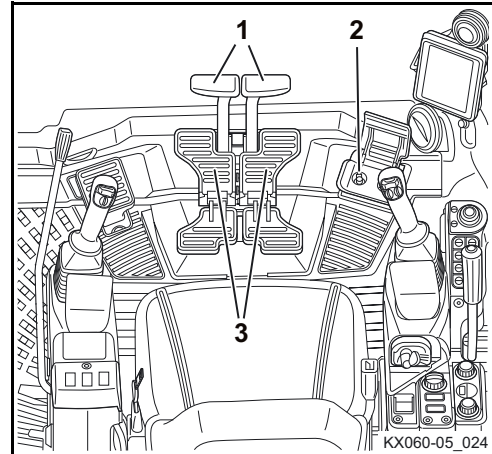
### Drive levers and control pedals

Drive levers and control pedals include the following components:

1. Left and right drive levers
2. Boom swing pedal
3. Pedals for the left and right crawler

### Drive levers and control pedals – description

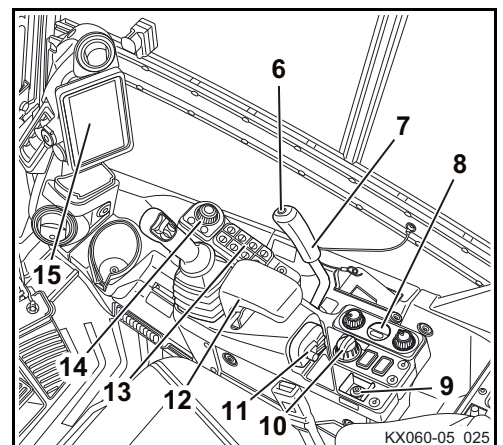
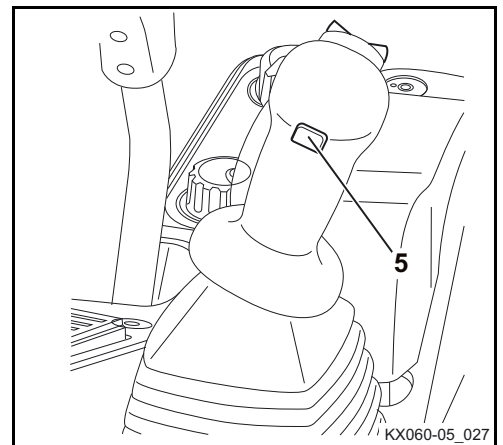
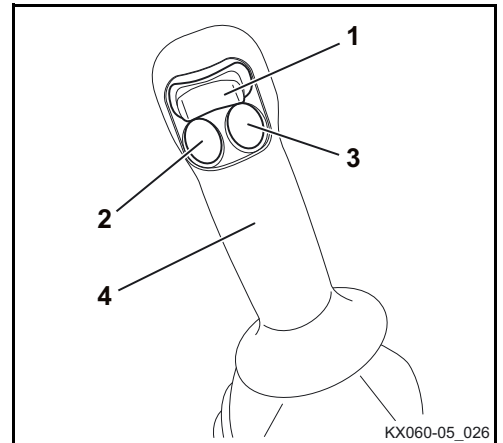
- 1. Left and right drive levers**  
With the drive levers the machine can be driven forwards and backwards and also turned. The left drive lever controls the left track and the right drive lever controls the right track.
- 2. Boom swing pedal**  
This pedal is used to swing the boom right and left.
- 3. Pedals for the left and right crawler**  
The pedals allow the operator to foot-control the drive levers.



### Right control console

The right-hand control console contains the following components:

1. Rocker switch for the auxiliary port 1
2. Horn switch
3. Auxiliary port enable switch
4. Right control lever
5. One way hold switch
6. Travel speed switch
7. Dozer control lever
8. Heating and air-conditioner control (optional)
9. Inhibit switch
10. Potentiometer for the adjustment of the engine speed
11. Starter switch
12. Wrist rest
13. Keypad switch
14. Dial switch
15. Display



### Description of the components of the right control console

#### 1. Rocker switch for the auxiliary port 1

The rocker switch for auxiliary port 1 controls the oil flow to auxiliary port 1. Turning the rocker switch to the left causes the oil to flow towards the connector on the left-hand side of the arm. Turning the rocker switch to the right causes the oil to flow towards the connector on the right-hand side of the arm. Auxiliary port 1 can be controlled proportionally (infinitely variable).

#### 2. Horn switch

Depressing the horn switch activates the horn.

#### 3. Auxiliary port enable switch

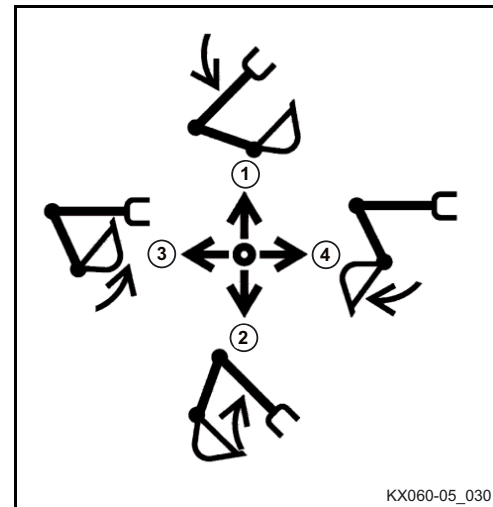
The auxiliary port enable switch activates the auxiliary port function.

#### 4. Right control lever

The right control lever is used to move the boom and the bucket.

The figure, in conjunction with the following table, shows the functions of the right control lever.

Position of control lever	Movement
1	Lower boom
2	Raise boom
3	Bucket crowd
4	Bucket dump



#### 5. One way hold switch

Operating the one way hold switch results in a continuous oil flow to the auxiliary port connector to the left of the arm. When you operate it again, the oil flow discontinues. You can therefore operate an attachment without having to continuously hold down the button.



***The attachment can move in an uncontrolled and sudden manner, there is a danger to life in the working area!***

*When using accessories that are not suitable for continuous oil flows (e.g. Powertilt), using the one-way hold switch poses a danger to life!*

*The auxiliary port cannot be operated proportionally with the one-way hold switch. The flow volume is adjusted to the highest level in the factory.*

- *Before using the one-way hold switch, check that the accessory is suitable for use with continuous oil flows.*
- *Before using the one-way hold switch, make sure that nobody is in the working area.*
- *The flow volume of the auxiliary port must be adapted to the accessory.*

#### 6. Travel speed switch

Switches the travel speed mode on and off.

#### 7. Dozer control lever

The dozer control lever is used to raise or lower the dozer. Pushing the lever forward lowers the dozer and pulling it back raises it. Pushing the lever forward through the noticeable resistance moves the dozer into floating position.

#### 8. Heating and air-conditioner control (optional)

Operate the heater and the air-conditioner using the heating and air-conditioner control (optional).

### 9. Inhibit switch

The inhibit switch (DPF = diesel particle filter) is used to lock and release the automatic particle filter regeneration. The particle filter regeneration must be locked under certain working conditions. For example, when working close to people, animals, plants and/or flammable materials, the particle filter regeneration should be locked.

### 10. Potentiometer for the adjustment of the engine speed

The operator can use this potentiometer to set the engine RPM to any desired speed.

### 11. Starter switch

The starter switch serves as the master switch for the entire machine and as switch for preglowing and starting the engine.

### 12. Wrist rest

The wrist rest allows fatigue-free operation of the control lever.

### 13. Keypad switch

The functions of the keypad switch are described in the "Keypad switch - description" section (page 60).

### 14. Dial switch

The switch is used to select the on-screen display and to change settings.

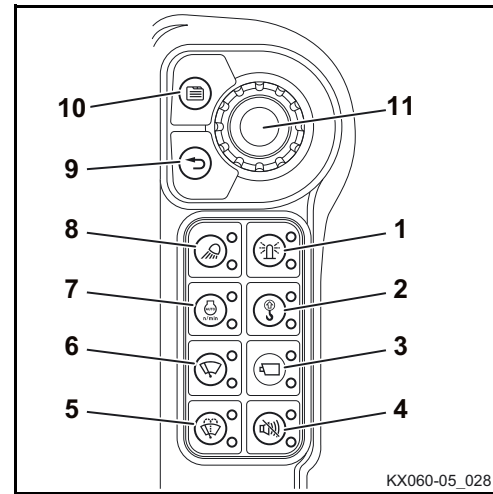
### 15. Display

The functions of the display are described in the "Description of the display" section (page 61).

### Keypad switch

The keypad switch and the dial switch contains the following switches:

1. Rotary beacon switch
2. Overload warning switch
3. Camera switch
4. Travel alarm cancel switch
5. Washer switch
6. Wiper switch
7. AUTO IDLE switch
8. Working light switch
9. Return switch
10. Menu switch
11. Jog dial and Enter key



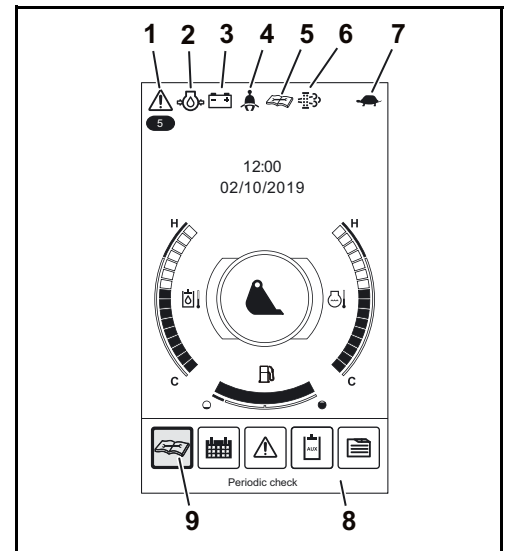
### Keypad switch description

- 1. Rotary beacon switch**  
 This switch activates and deactivates the rotary beacon (optional).
- 2. Overload warning switch**  
 The overload warning switch activates the overload warning system.
- 3. Camera switch**  
 Displays image of camera (optional) on the display.
- 4. Travel alarm cancel switch**  
 Cancels travel alarm (optional).
- 5. Washer switch**  
 Switches the washer system.
- 6. Wiper switch**  
 Switches on the wiper for the front window.
- 7. AUTO IDLE switch**  
 Using the switch you can switch the AUTO IDLE control on or off. The AUTO IDLE control makes sure that the engine speed pre-selected with the potentiometer drops down to idle speed after approx. 4 seconds - provided that no control is being used. Immediately upon activating a control, the engine speed will be immediately set to the preselected speed. When the AUTO IDLE control is activated the indicator inside the switch lights up.
- 8. Working light switch**  
 Switches the working lights on and off.
- 9. Return switch**  
 The current display gets interrupted and goes back to the previous one.
- 10. Menu switch**  
 The menu bar gets displayed.
- 11. Jog dial and Enter key**  
 An item gets selected and saved through display operation.

### Display

The display contains the following displays and indicators:

1. Warning light
2. Engine oil pressure indicator
3. Charge indicator
4. Seat belt indicator
5. Maintenance indicator
6. DPF-related indicator
7. Travel speed indicator
8. Menu bar
9. Cursor



### Description of the display

The display is multifunctional. You will find detailed descriptions of the individual functions in the respective chapters.

#### 1. Warning light

The warning light flashes red when a system fault or technical malfunction occurs. The warning light flashes yellow when the system issues a warning.



*Operations must cease immediately when the warning light flashes red.*

#### 2. Engine oil pressure indicator

The engine oil pressure indicator lights up when the oil pressure is below the reference value.

#### 3. Charge indicator

The charge indicator lights up when the charging circuit voltage is too low.

#### 4. Seat belt indicator

The seat belt indicator lights up if the seat belt is unbuckled.

#### 5. Maintenance indicator

The maintenance indicator lights up when a service period is due.

#### 6. DPF-related indicator

Depending on situations, the DPF-related regeneration status, rpm boost command or regeneration disable indications are displayed.

#### 7. Travel speed indicator

Travel speed mode is displayed.

#### 8. Menu bar

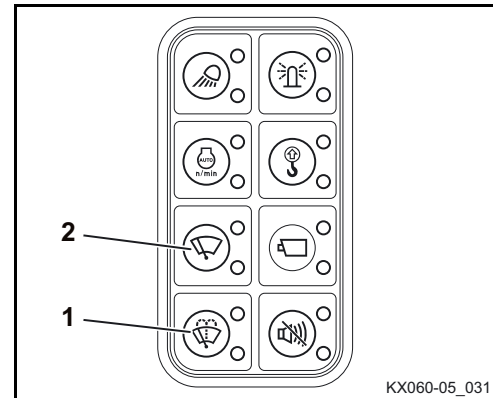
Move the cursor (9) to the desired icon and press the enter key. The desired setting will appear.

### Other equipment to be found at the machine

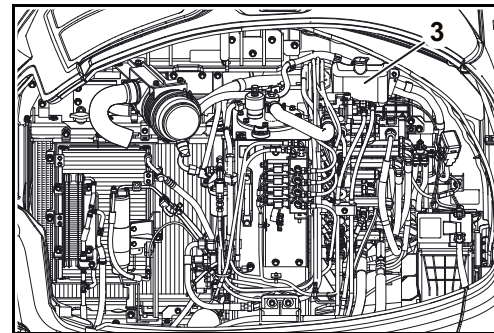
Other equipment located at and around the machine is described below.

#### Wiper/washer system

The front window is provided with a wiper/washer system. The system is operated with the washer switch (1) and wiper switch(2).

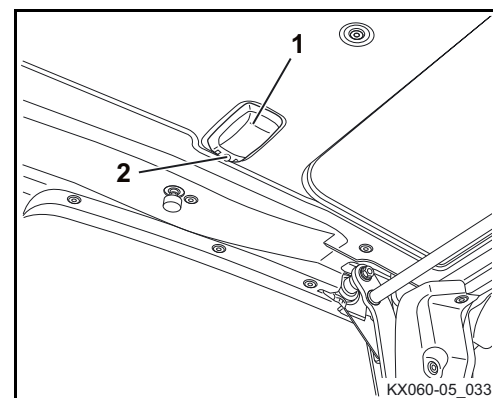


The washer system reservoir (3) is located on the right vehicle side under the side cover.



#### Interior lighting

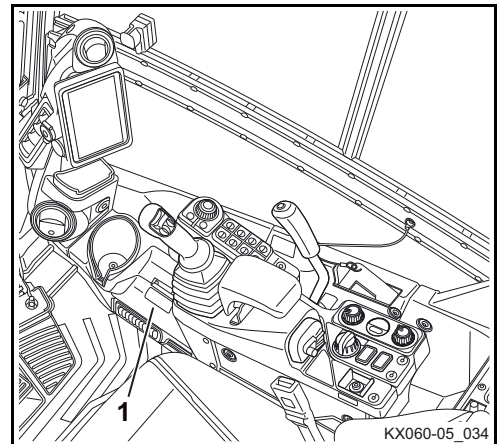
An interior light (1) is located on the left side of the cab roof. It is turned on and off with the switch (2).





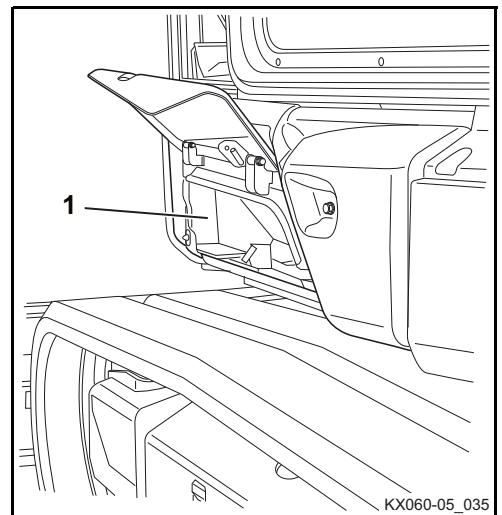
### Fuse box

The fuse box (1) is located behind the right-side cover in the cabin.



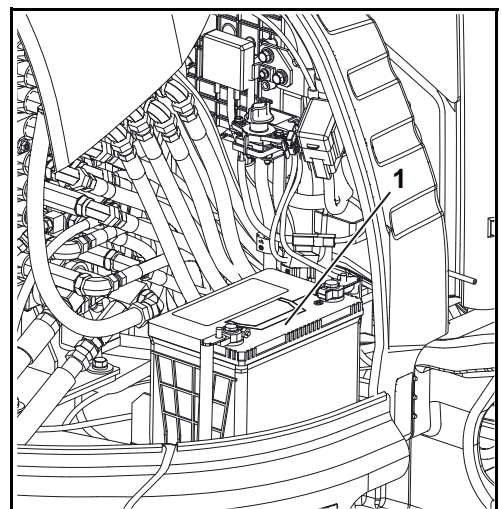
### Tool compartment

The tool compartment (1) is located behind the left swivel cover.



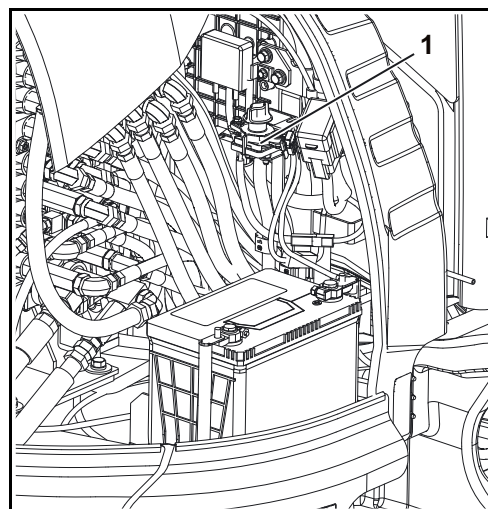
### Main battery

The main battery (1) is located on the right side of the vehicle under the side cover.



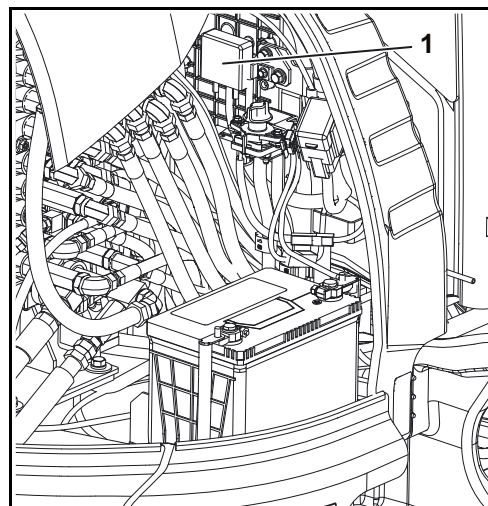
### Battery isolator

The battery isolator (1) can be used to cut off the main power circuit. The battery isolator is located on the right vehicle side under the side cover.



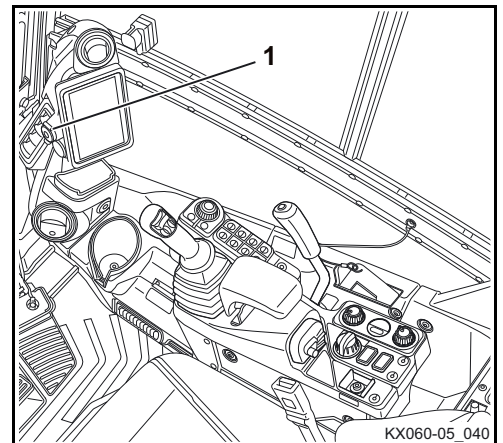
### Main fuses

The main fuses (1) of the machine are situated above the battery.



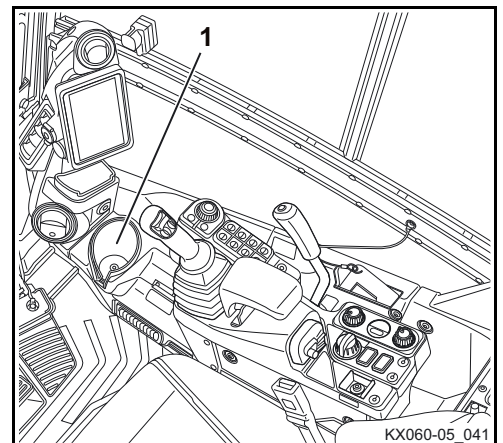
### 12-V electrical outlet

A 12-V electrical outlet (1) for the connection of an external electric device is located on the right front inside the cabin.



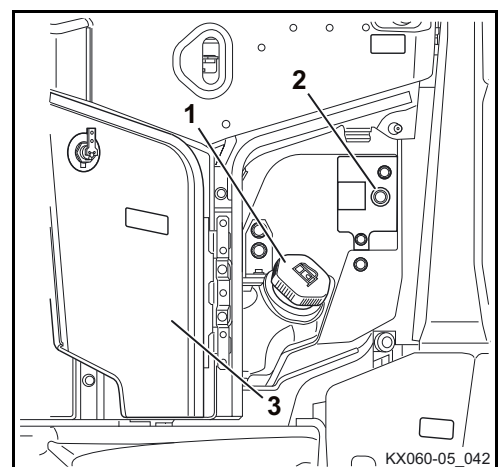
### Cup holder

The cup holder is located on the right side in the cabin.



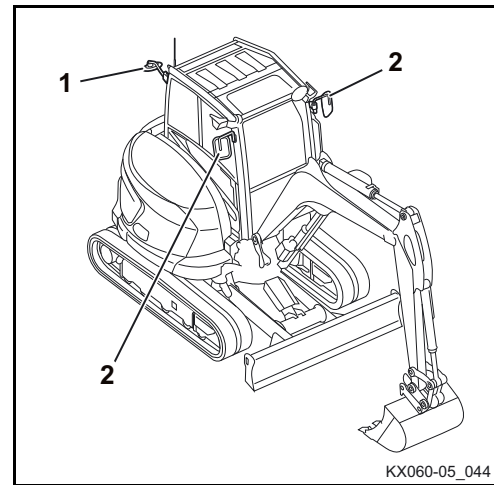
### Tank filler neck and fill level monitor

The tank filler neck (1) and the fill level monitor (2) are located below the left service cover (3).



### Rear view mirror

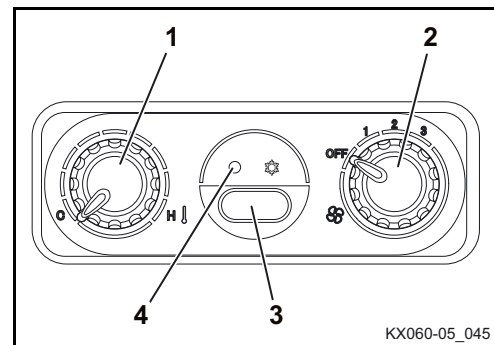
The rear view mirror (1) allows visibility down towards the rear of the machine. The front rear view mirrors (2) allows visibility to the rear. The rear view mirrors can be adjusted for optimum visibility of the respective areas.



### Heating and air-conditioning system (optional)

The heating controls are on the right control console. The control panel includes the following components:

1. Temperature control
2. Blower switch
3. Air-conditioner switch (optional)
4. Indicator (optional)



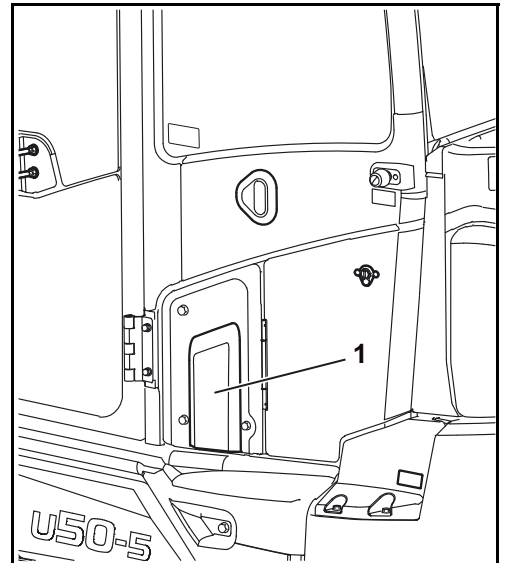
Using the air-conditioner switch, you can switch on the air-conditioner when the starter switch is in the RUN position and the fan is switched on. Operation of the air-conditioner system (optional) is indicated by the indicator.

Using the temperature control, you can set the air temperature to the desired value.

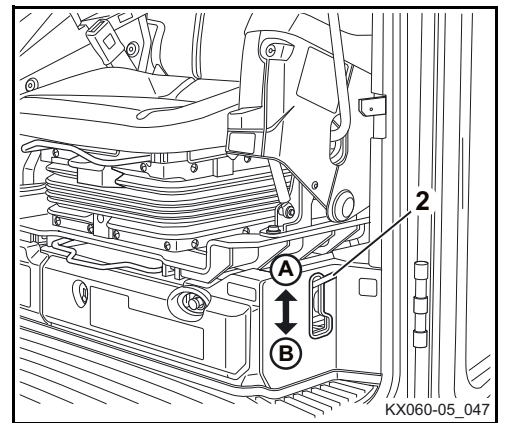
Using the blower switch, you can control the air flow in three stages, with stage 3 having the maximum air flow.

## Assembly and functions

The air is drawn in through an interior air filter, either as fresh air via the intake (1) to the left of the cab or as re-circulated air in the cab.



The lever (2) can be used to switch the air intake between re-circulated air (A) and fresh air (B).

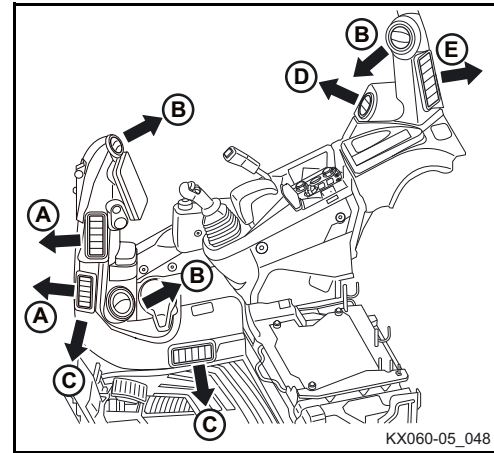


*To make sure the air gets sucked in properly from the cab, do not obstruct the interior air filter with objects (such as bags or clothes).*

The air is conducted via the heat exchanger and/or the evaporator of the air-conditioner assembly (optional) to the air nozzles.

- A → Windshield
- B → Operator
- C → Leg room
- D → Side window
- E → Rear window

- Be careful not to allow foreign substances to come into the blower fan of the air-conditioning/heater unit.
- Do not get the register's temperature fuse short-circuited.
- Do not get the blower motor's fuse short-circuited.
- The air-conditioning/heater unit proper is not waterproof.

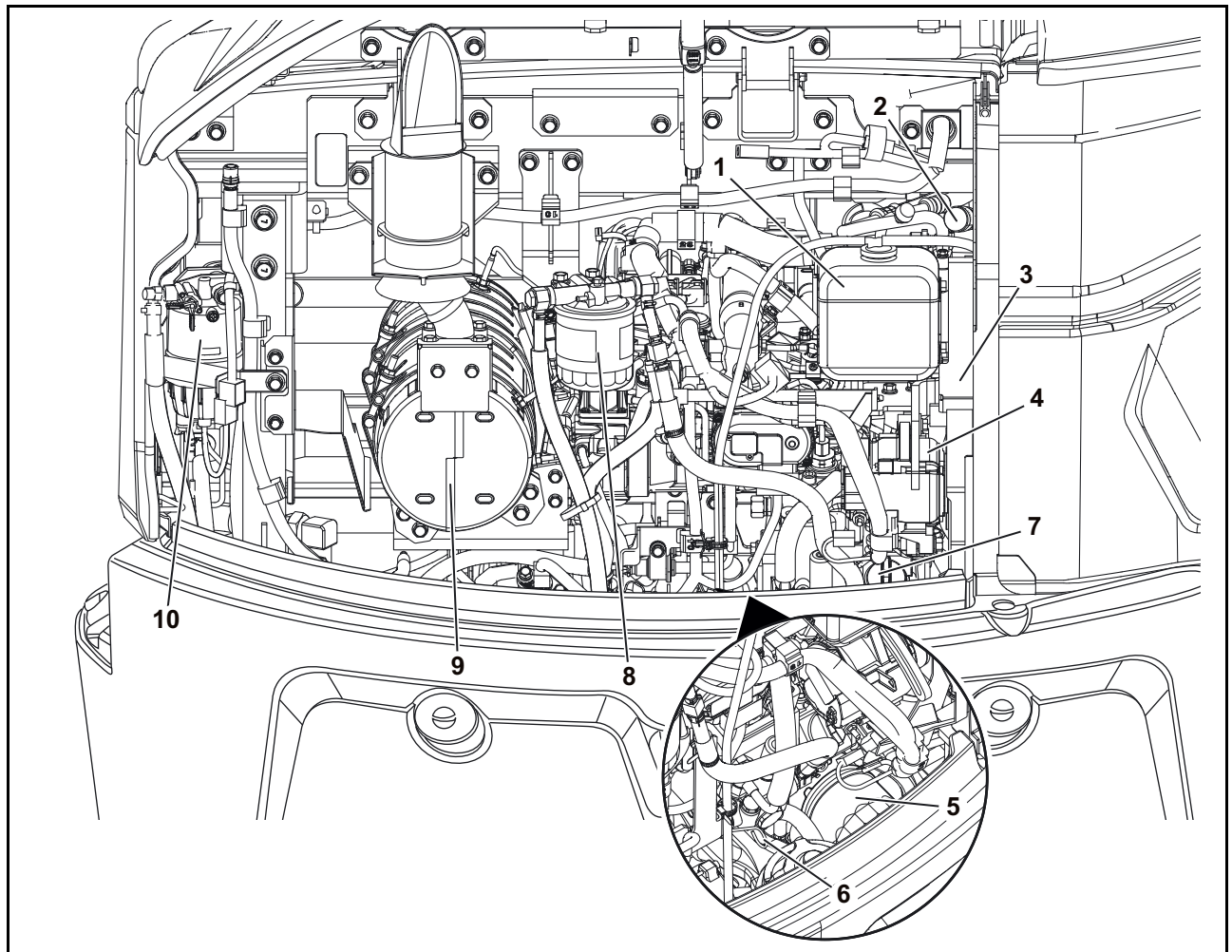


In the following cases, pay attention not to get the air-conditioning/heater unit exposed to water.

- Drinking water or the like has spilt over the seat mount.
- The cabin window(s) is (are) kept open in the rain.
- Before cleaning the floor/seat mount.
- After maintenance, do not forget to reinstall the air-conditioner filter in position.

## Engine compartment

The engine compartment (figure below) is positioned at the rear of the swivel frame; it is covered by a lockable hinged cover.



- |                                |                              |
|--------------------------------|------------------------------|
| 1. Coolant expansion reservoir | 6. Oil dipstick              |
| 2. Filter indicator            | 7. Oil filler opening        |
| 3. V-belt cover                | 8. Fuel filter               |
| 4. Alternator                  | 9. Muffler / particle filter |
| 5. Oil filter                  | 10. Water separator          |

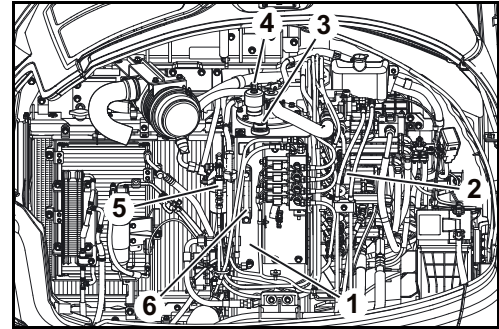
### Hydraulic system

All controls enable the functions via a hydraulic oil pilot control circuit.

The accumulator allows the boom and the arm to be lowered in case of an engine failure.

The hydraulic oil tank contains the suction filter and the return filter.

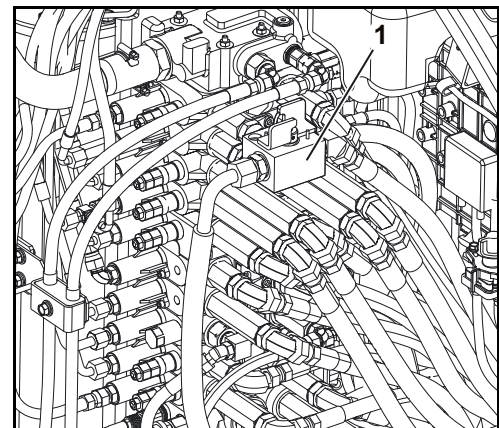
1. Hydraulic oil tank
2. Control valve
3. Plug
4. Air breather
5. Pilot circuit filter
6. Sight glass for hydraulic oil level



### Return change valve for direct return flow

According to the mode of operation of a given attachment, the return flow of the hydraulic oil must occur either via the control valve (indirect return flow) or directly to the hydraulic oil tank (direct return flow).

The change valve direct return flow (1) is used to toggle the setting between „indirect return flow“ and „direct return flow“. The return change valve for direct return flow (1) is located under the valve chamber on the right-hand side of the vehicle.

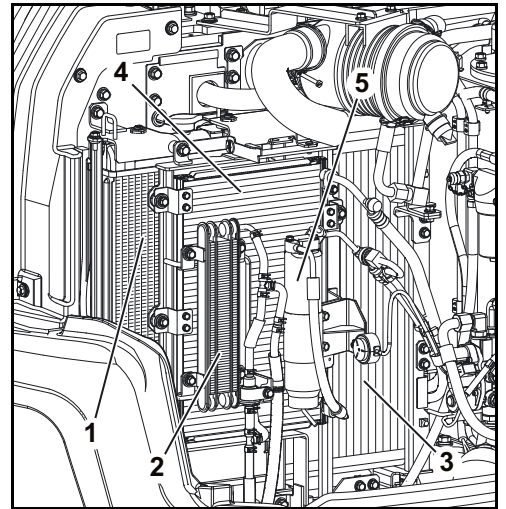




### Radiator and condenser

The radiator and condenser for the cooling circuits and the air-conditioner system are under the right side cover.

1. Coolant radiator
2. Fuel cooler
3. Hydraulic oil radiator
4. Condenser (air-conditioner)
5. Liquid reservoir and dryer (air-conditioner)





## OPERATION

### Safety rules for operation

- The safety instructions (page 13) must be followed.
- The machine may only be operated according to its approved use (page 16).
- The machine may only be operated by instructed or trained personnel (page 11).
- Do not operate the machine when under the influence of drugs, medication or alcohol. Stop operation when getting tired. The operator must be physically capable of operating the machine safely.
- The machine should only be operated if all protective devices are fully operational.
- Before starting or working with the machine, make sure that there is no danger for any person nearby.
- Before starting the machine, it must be checked for external damage and operability, and the pre-start checks must be carried out. If failures are detected, the machine should only be taken into operation after the failures have been repaired.
- Wear tightly fitting working clothes in accordance with the trade association regulations.
- During the operation of the machine, nobody except the operator is allowed to be inside the cab or get on the machine.
- For getting on and off, the swivel frame should be positioned in an angle which allows the operator to use the crawler or the step (if applicable) to enter the cab.
- Always stop the engine when leaving the cab. In exceptional cases, e.g. for troubleshooting, the cab can also be left with the engine running. The operator must make sure that the left control console remains in an upright position. The controls may only be used while the operator is sitting on the operator's seat.
- During operation, it is forbidden to stretch any part of the body out of the window or cab door, such as arms, legs, or the body.
- Prior to leaving the machine (e.g. for breaks or at the end of work) if at all possible park the machine on a firm, flat and level ground, lower the attachment to the ground, place all control levers into neutral, switch off the engine, set the parking brake, and prevent the machine from being restarted by taking the key.
- Whenever work is interrupted, the bucket must always be lowered to the ground.
- Do not allow the engine to run indoors, unless the room is equipped with an exhaust gas extraction system or otherwise well ventilated. The exhaust gas contains carbon monoxide, a colourless, odourless, and lethal gas.
- Never crawl under the machine before the engine is stopped, the key is removed and the machine is secured against moving.
- Never crawl under the machine if it is only raised with the bucket or the dozer. Always use suitable supports.
- To increase the machine's stability, we recommend lowering the bulldozer blade onto the ground. The dozer may only be used to increase stability if the dozer cylinder is equipped with a pipe safety valve.
- The dozer control lever must not be moved into floating position in the process. The machine's stability is not increased by the dozer while in the floating position.

### Safety for children



*Children are normally attracted to machines and their normal operation. If children are in the vicinity of the machine and are not at a suitable distance and in the field of vision of the operator, this can lead to serious accidents or even death of the children.*

Always observe the following rules of conduct:

- Never assume that children will remain where you last saw them.
- Keep children far away from the working area and always under the supervision of other responsible adults.
- Be vigilant and switch the machine off when children enter the working area.
- Never let children drive with you on your machine, there is no safe place for passengers. Children could fall off the machine and be run over or affect the control of the machine.
- Children must never operate the machine, even under supervision of an adult.
- Never let children play on the machine or attachments.
- Be particularly careful when manoeuvring. Look behind and down below on the machine and ensure that there are no children in the manoeuvring area.
- Before leaving the machine, park it so that it cannot move. When leaving the machine (e.g. for breaks or at the end of work), stop the engine, remove the key and close the cab door, if present.

### Guiding the operator

- If the operator's working and driving area is obscured, the operator must be supported by a guide.
- The guide must be capable of performing this kind of work.
- Before starting work, the guide and the operator must agree the necessary signals.
- The guide's position must be clearly visible by the operator.
- The operator must stop the machine immediately if the eye contact to the guide is interrupted.  
→ As a rule, either the machine or the guide may move, never both at once!

## Working in the vicinity of overhead power lines

When working with the machine in the vicinity of overhead power lines and tram lines, a minimum distance as specified in the following table must be maintained between the machine and its attachments and the power line. The owner of the machine or the person responsible for the work must ensure local, regional and national regulations are observed.

Rated voltage [V]		Safe distance [m]
	up to 1 kV	1.0 m
over 1 kV	up to 110 kV	3.0 m
over 110 kV	up to 220 kV	4.0 m
over 220 kV	up to 380 kV or when rated voltage is unknown	5.0 m

If safe distances can not be maintained, the power lines must be switched off in coordination with their owner or provider and secured against making them live again.

When approaching overhead power lines, any possible movements of the machine must be taken into consideration.

Unevenness of the ground or sloping the machine can reduce the safe distance.

Wind can cause the overhead power lines to sway, thus reducing the safe distance.

In case of a power cross-over, leave the danger zone with the machine, if possible, by taking suitable measures. If this is not possible, do not leave the operator's place, warn any approaching persons of the danger, and have the power switched off.

## Working in the vicinity of underground power lines

Before starting with excavation work, the owner of the machine or the person responsible for the work must check if there are any underground power lines in the proposed working area. The owner of the machine or the person responsible for the work must ensure local, regional and national regulations are observed.

If there are underground power lines present, the position and routing of the power lines must be determined together with the owners or operators and the required safety measures must be determined.

If power lines are encountered or accidentally damaged, the operator must stop working immediately and inform the responsible person.

### Initial operation

Before initial operation, the machine must first be checked visually for external transit damages and checked if the shipped equipment is complete as ordered.

- Check fluid levels as described in the "Maintenance" section (page 171).
- For a description of all operation features refer to the "Operating the machine" section (page 83) as well as the following sections.

If failures are detected, please inform your dealer immediately.

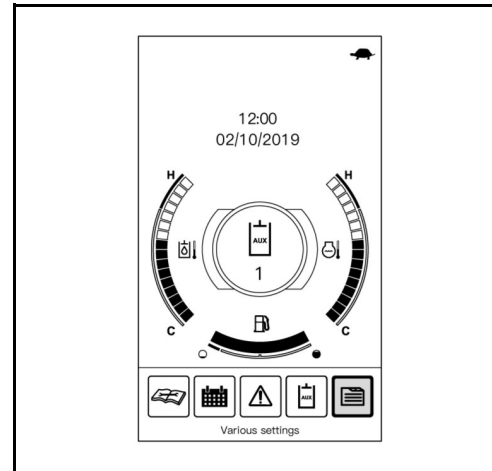
### Setting the display language

Messages in the display can be shown in 11 languages.

- Turn the starter switch to the RUN position.
- Press menu switch on dial switch.

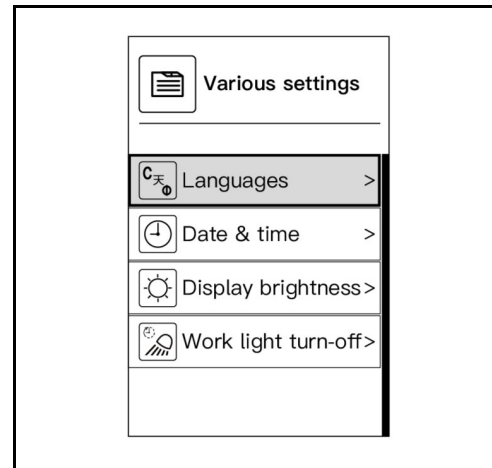
The menu bar appears in the display.

- Rotate jog dial to the right until "Various settings" is selected in the display.
- Press Jog dial (enter switch).



The Various settings appears in the display. ("Languages" is selected.)

- Press Jog dial (enter switch).



## Operation

The list of available languages appears in the display.

- Rotate jog dial to the right or the left until the desired language is selected.
- Press jog dial (enter switch) to confirm.



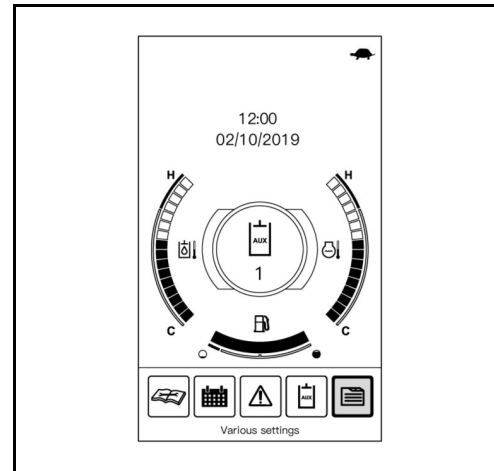
### Setting the date/time

- Turn the starter switch to the RUN position.
- Press menu switch on dial switch.

The menu bar appears in the display.

- Rotate jog dial to the right until “Various settings” is selected in the display.
- Press Jog dial (enter switch).

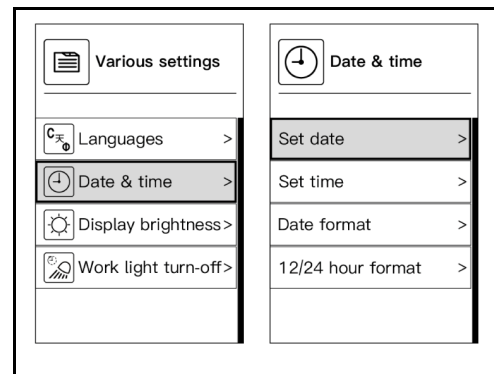
The Various settings appears in the display.



- Rotate jog dial to the right until “Date & time” is selected in the display.
- Press Jog dial (enter switch).

The “Date & time” menu appears in the display.

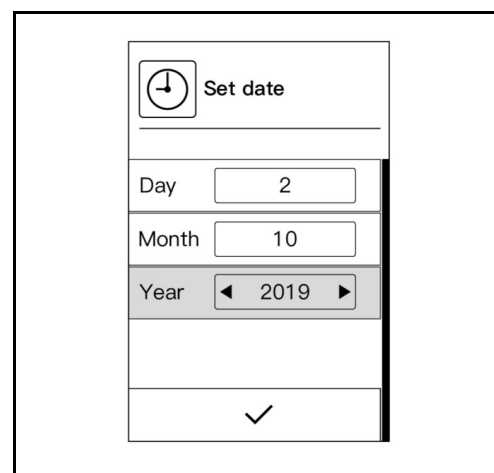
- Rotate jog dial to the right or the left until “Set date” / “Set time” is selected.
- Press Jog dial (enter switch).
- “Set date” / “Set time” screen appears in the display.
- Rotate jog dial to the right or the left until the desired unit is selected.
- Press Jog dial (enter switch).
- Rotate jog dial to the right or the left to decrease or increase the numerical value.
- Press jog dial (enter switch) to confirm the desired unit.
- Rotate jog dial to the right or the left until ✓ (icon of acknowledge) is selected in the display.
- Press jog dial (enter switch) to complete “Set date” / “Set time”.



*Input can be cancelled at any time. Changes are then not saved.*

- To cancel your input, press return switch.

The display returns to its previous display mode.





## Operation

### Date and time display format

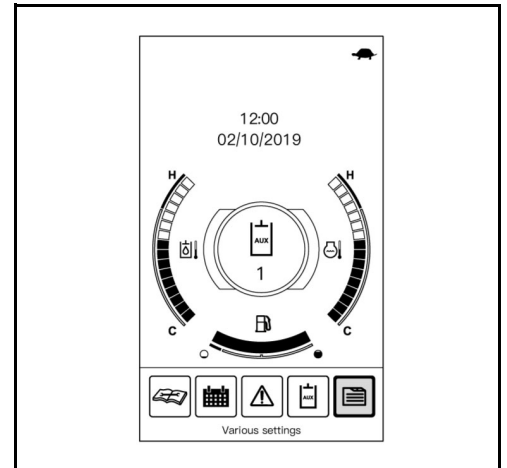
Time can be displayed in the 12- or 24-hour format, while the date format can be changed to day, month, year.

- Turn the starter switch to the RUN position.
- Press menu switch on dial switch.

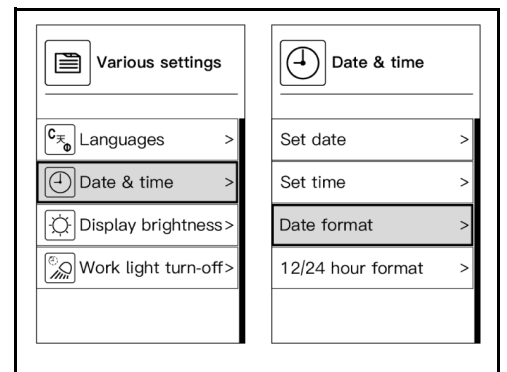
The menu bar appears in the display.

- Rotate jog dial to the right until “Various settings” is selected in the display.

Press Jog dial (enter switch).

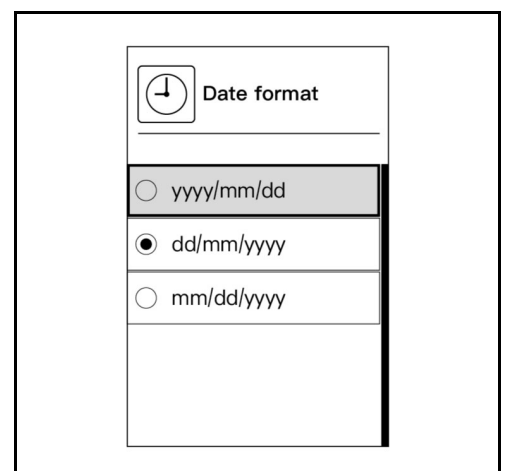


- The Various settings appears in the display.
- Rotate jog dial to the right until “Date & time” is selected in the display.
- Press Jog dial (enter switch).
- The “Date & time” menu appears in the display.
- Rotate jog dial to the right or the left until “Date format” / “12/24 hour format” is selected.
- Press Jog dial (enter switch).



“Date format” / “12/24 hour format” setting screen appears in the display.

- Rotate jog dial to the right or the left until the desired format is selected.
- Press jog dial (enter switch) to confirm.



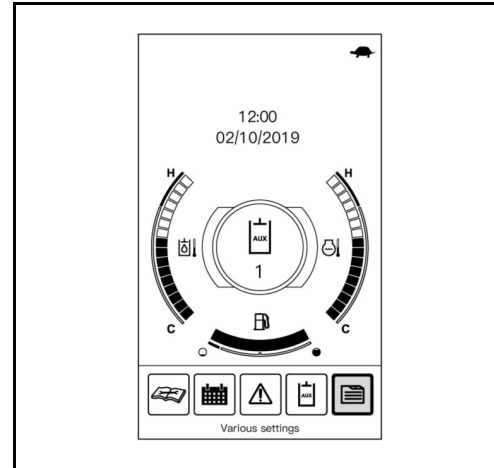
### Setting the display brightness

The display brightness is presettable in 10 levels. This brightness setting can be made separately for the working light turn-on and turn-off states.

- Press menu switch on dial switch.

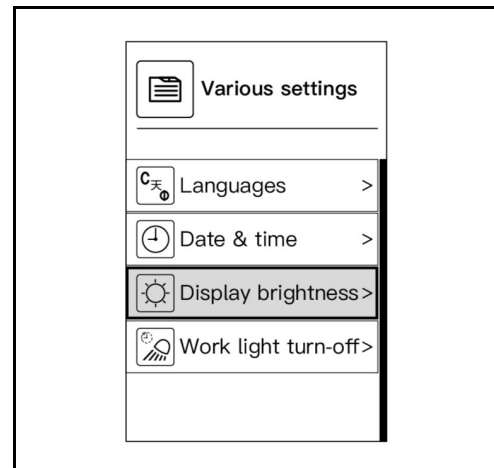
The menu bar appears in the display.

- Rotate jog dial to the right until “Various settings” is selected in the display.
- Press Jog dial (enter switch).



The Various settings appears in the display.

- Rotate jog dial to the right until “Display brightness” is selected in the display.
- Press Jog dial (enter switch).
- “Display brightness” setting screen appears in the display.
- Rotate jog dial to the right or the left until the desired mode is selected.



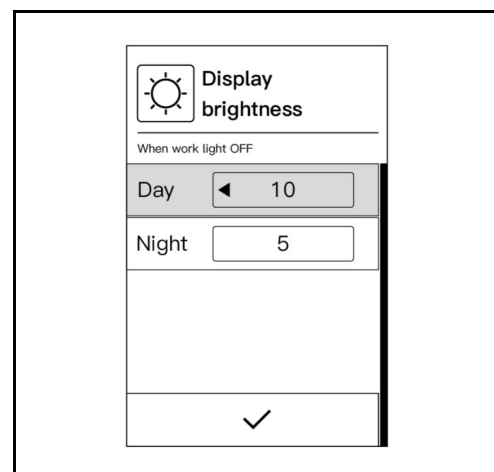
The “Day” brightness setting is for the working light turn-off state, and the “Night” one is for the working light turn-on state.

Default setting:

Day: 10

Night: 5

- Press Jog dial (enter switch).
- Rotate jog dial to the right or the left to increase or decrease the numerical value.
- Press jog dial (enter switch) to confirm the desired mode.
- Rotate jog dial to the right until ✓ (icon of acknowledge) is selected in the display.



## Operation

- Press jog dial (enter switch) to complete “Display brightness” setting.



*Input can be cancelled at any time. Changes are then not saved.*

- To cancel your input, press return switch.

The display returns to its previous display mode.

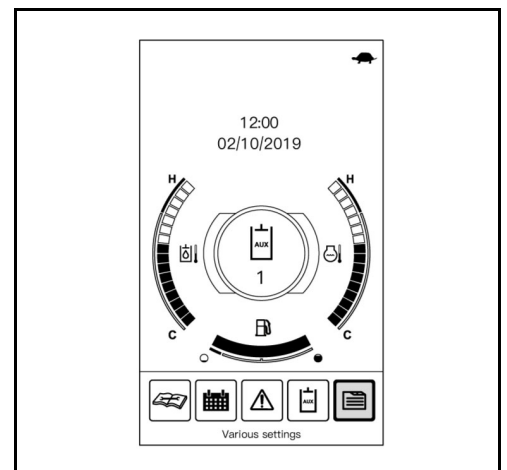
## Setting the work light turn-off delay function

The working light turn-off can be delayed for a given time after turning off the key. To turn off the working light in preference to this turn-off delay function, you may use the working light switch.

- Press menu switch on dial switch.

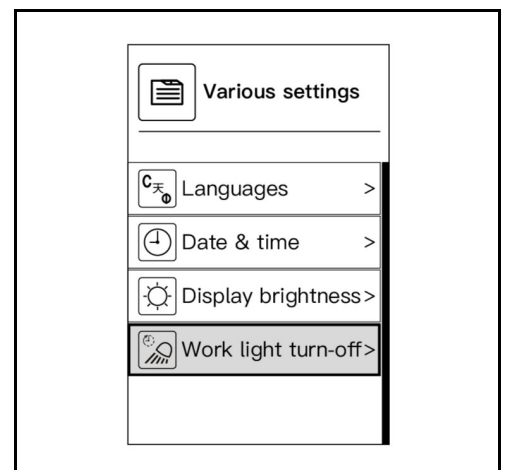
The menu bar appears in the display.

- Rotate jog dial to the right until “Various settings” is selected in the display.
- Press Jog dial (enter switch).



The Various settings appears in the display.

- Rotate jog dial to the right until “Work light turn-off delay” is selected in the display.
- Press Jog dial (enter switch).

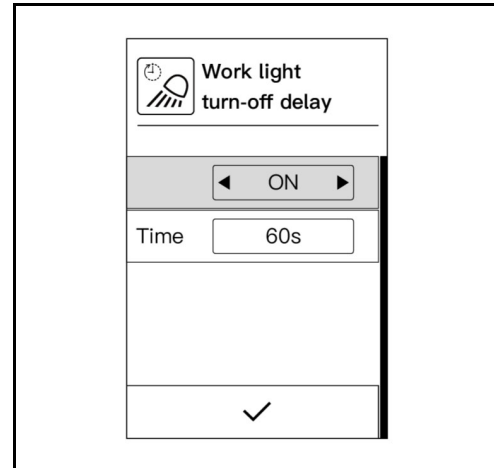


“Work light turn-off delay” setting screen appears in the display.

- Rotate jog dial to the right or the left until the desired item is selected.
- Rotate jog dial to the right or the left to select ON/OFF or the delay time.
- Press jog dial (enter switch) to confirm the desired item.



*Before making a “Delay time” setting, enable the “Work light turn-off delay” function.  
The “Delay time” setting can be made in 30-second increments from 30 up to 120 seconds.*



- Rotate jog dial to the right or the left until ✓ (icon of acknowledgment) is selected in the display.
- Press jog dial (enter switch) to complete “Work light turn-off delay” setting.



Input can be cancelled at any time. Changes are then not saved.

- To cancel your input, press return switch.

The display returns to its previous display mode.

### Running-in of the machine

During the first 50 hours of operation, the following points should be adhered to in all cases:

- Warm up the machine at an average engine speed and with a low load; do not let it warm up at idling position.
- Do not overload the machine.

### Special maintenance instructions



**Damage to equipment due to contaminated grease!**

*The grease plays a particular and important role in the running-in of the machine. The movable components are not yet broken in and generate many fine particles in the initial hours of operation that drop into the grease. Changing the oil in due time removes the abraded metal particles, prevents damage to equipment and preserves the service life of the components.*

*- Observe and adhere to oil change intervals!*

- Change the oil in the final drives after the first 50 service hours.

### Operating the machine

For a safe machine operation, see the following sections.

#### Pre-operational services



*For the performance of the services, the machine must be parked on level ground and the key must be removed.*

- Open the side cover (page 155).
- Open the engine compartment cover (page 154).



*Close all covers after the work has been done.*

#### Walk-around inspection

- Check the machine for visible damage, loose nuts and screws and leaks.
- Check for any accumulated dirt adjacent to hot components, e.g. engine, DPF muffler, exhaust manifold/tubes and remove if necessary.

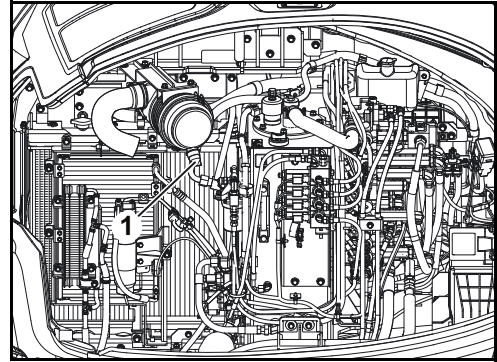


*Check the hot parts for a buildup of flammable materials on and around them. It may lead to a fire.*

- Check for accumulated residues from leaves, straw, pine needles, twigs, bark and other flammable materials and remove if necessary.
- Check the safety labels on the machine. They must be complete and legible (page 19).
- Ensure that the emergency hammer is present (page 31).

### Dust valve - clean

- Empty the dust valve (1) by pressing it together several times.



### Engine oil - check

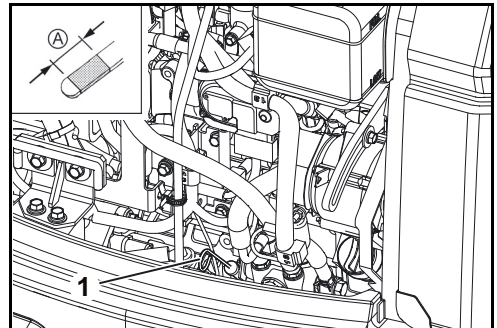
- Pull out the oil dipstick (1) and wipe it with a clean cloth.
- Insert the oil dipstick completely and pull it out again. The oil level should be in the "A" area. If the oil level is too low, add engine oil (page 189).



*If the oil level is too high or too low, the engine might get damaged during operation.*



*Do not mix engine oils from different brands!  
Before filling in a different brand of engine oil, drain the engine oil completely.*



### Coolant level - check

- Check the level of the coolant in the expansion tank (1).
- The fluid level must be between FULL (A) and LOW (B).



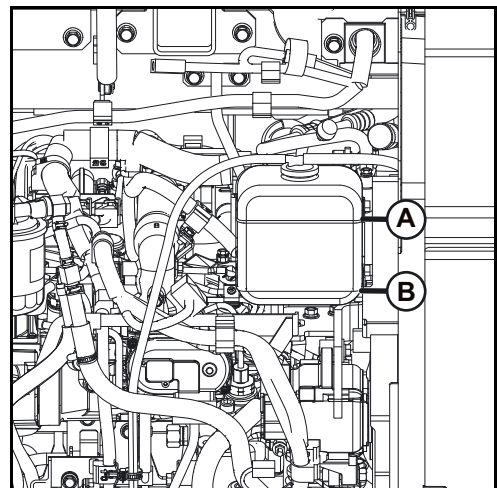
*Do not open the radiator cap.*



*If the coolant level is below the LOW mark, refill coolant (page 182).*



*Do not mix coolant from different brands!  
Before filling in a different brand of coolant, drain the cooling system completely.*



*If the coolant level is below the LOW mark a short time after adding coolant, the cooling system is leaky. The machine may only be started again after the fault is repaired.*

## Operation

### Radiator and A/C condenser - check



*Do not touch the hot radiators: risk of burning.*

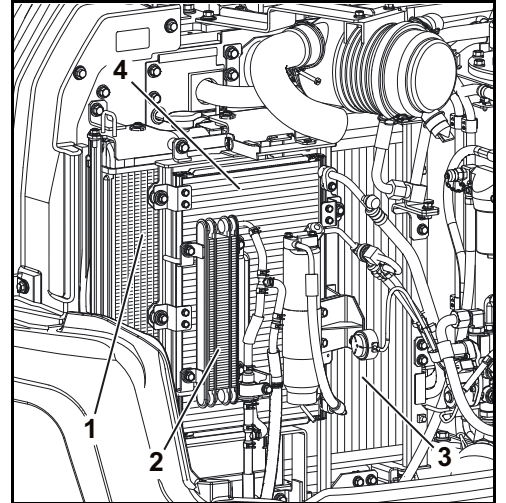
- Visually inspect the coolant radiator (1), fuel cooler (2), hydraulic oil cooler (3) and condenser (4) for leaks and accumulation of dirt and debris.

### Radiator - clean

If there is any dirt or debris on the radiators or condenser:

- Clean the radiator from the engine side with a water jet or compressed air. Do not use high-pressure cleaners.
- Particular care must be devoted to the space between the radiators, because foliage often collect at this point.

After cleaning, inspect the radiators for damage.



### V-belt - check

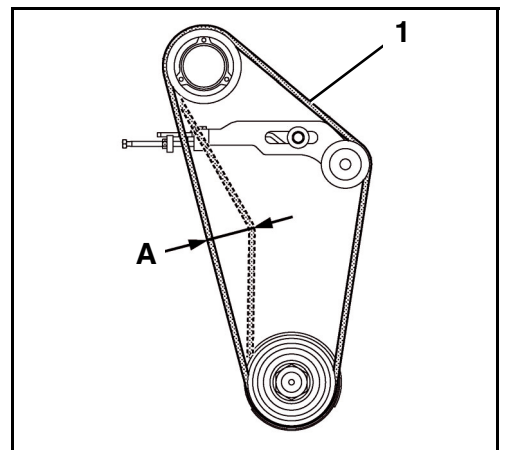


*The engine must be switched off and the key removed!  
Do not attempt to grasp rotating or moving parts.*

#### Air conditioner V-belt (optional)

- Press in the V-belt (1) at position "A".

The V-belt must give way by approx. 12 to 15 mm (pressure: 7 kg).  
Adjust the V-belts if necessary (page 185).

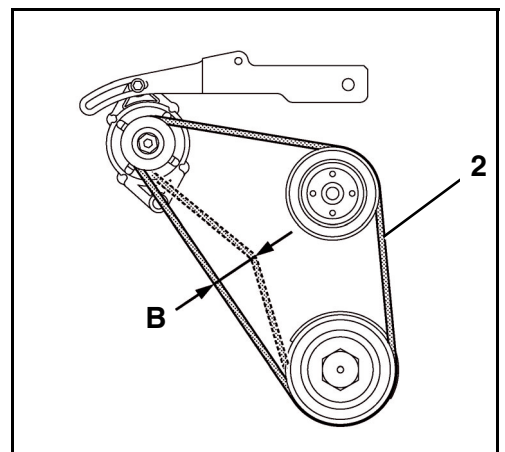


#### Fan/Alternator V-belt

- Press in the V-belt (2) at position "B".

The V-belt must give way by approx. 7 to 9 mm (pressure: 7 kg).  
Adjust the V-belts if necessary (page 185).

- Check both V-belts for wear and tear. Replace the V-belts if necessary (page 185).



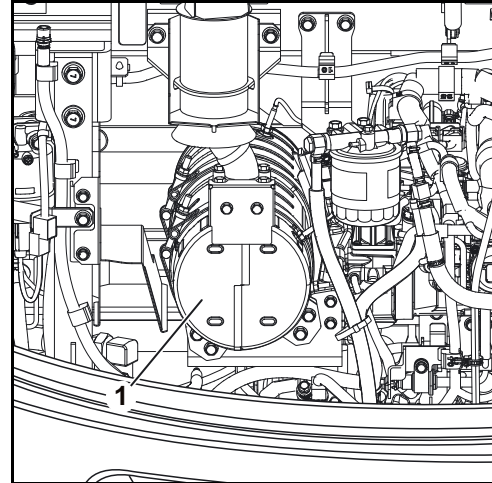
### Exhaust system leakage - check



*Risk of burns!*

*Make sure that the engine has stopped and the exhaust system has cooled down.*

- Check the exhaust system for leaks and security (formation of cracks).
- If the exhaust system is leaky or loose, the machine may only be taken into operation after the failure have been repaired.
- Check the exhaust system and the area surrounding the particle filter (1) for flammable materials such as oil deposits, cloth, leaves, etc. and clean if necessary.

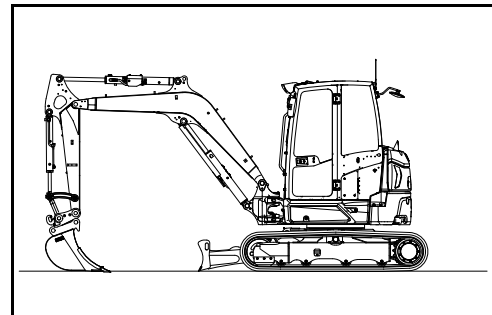


### Hydraulic oil level - check



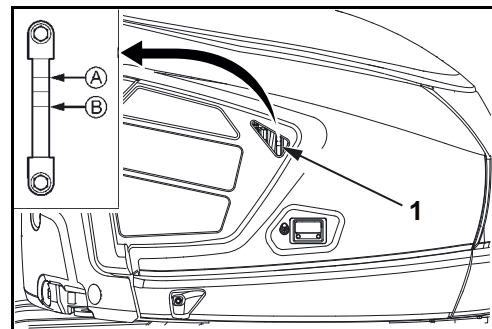
*In order to determine the exact hydraulic oil level, all hydraulic cylinders must be extended as follows (see right-hand side figure):*

<i>Boom:</i>	half-extended
<i>Arm:</i>	half-extended
<i>Bucket:</i>	half-extended
<i>Dozer:</i>	Completely lowered
<i>Swing mechanism:</i>	Halfway towards left



Check the oil level in the sight glass (1). The oil level should be half way up the sight glass. Carefully check the position of the hydraulic cylinders before topping up the oil. For more information see the "Topping up/changing the hydraulic oil" section (page 202).

- A: Upper limit
- B: Lower limit



*Do not mix hydraulic oils from different brands!  
Before filling in a different brand of hydraulic oil, drain the hydraulic oil system completely.*



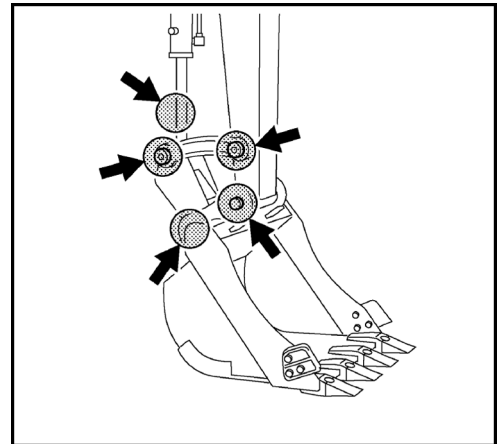
*Always remove spilled hydraulic oil immediately.*



## Operation

### Bucket bolt and linkage bolt - grease

- Start the engine (page 96).
- Position the arm and bucket as shown in the figure. See the "Operating the controls during excavation work" section (page 117).
- Stop the engine (page 99).
- Lubricate all greasing points (see figure to the right) – see the "Operating materials" section (page 180) – by injecting grease until fresh grease emerges.

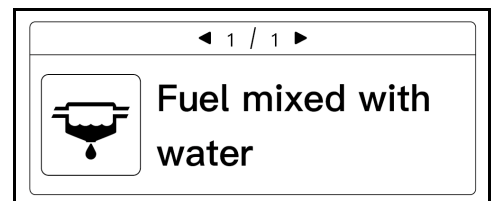


*Wipe emerged grease off immediately and store dirty cleaning cloths in the containers provided for disposal.*

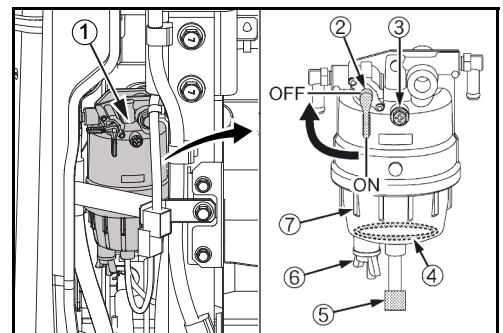
### Water separator - check



*Water and impurities in the fuel settle in the water separator. The water separator is equipped with a sensor that checks the fill level. If any such deposits form, a message will appear on the display as shown in figure on the right.*



- Visual inspection of the water separator (1) for water and sediments.
- If the water separator is contaminated, empty the water separator (page 192)
- Make sure that the sensor cable plug (5) is connected.
- Switch the shutoff-valve to the ON position.



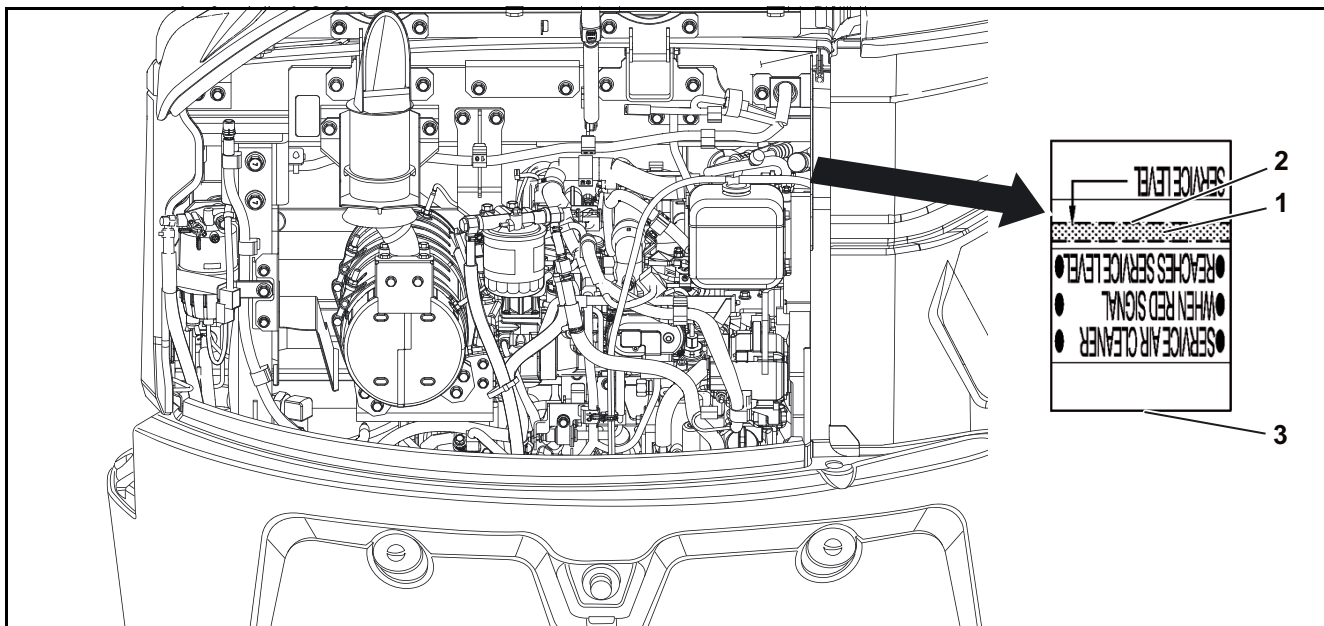
### Electrical instrumentation - check

- Check the function of the interior light (page 62)
- Check the function of the working light (page 143)
- Check the function of the rotary beacon (optional) (page 138)
- Check the function of the ventilation fan of the heater and air conditioner (optional) (page 134)
- Check the function of the washer system (page 137)
- Check all accessible electric cables, connectors and connections for condition and tightness.
- Repair or replace damaged parts.
- Check the fuse box and fuse holders for oxidation and dirt, clean if necessary.

### Filter indicator - check

If the red signal on the filter indicator (1) reaches the service level (2), clean the air filter element (page 190) immediately.

Reset the red signal by pushing a "RESET" button (3) after cleaning.

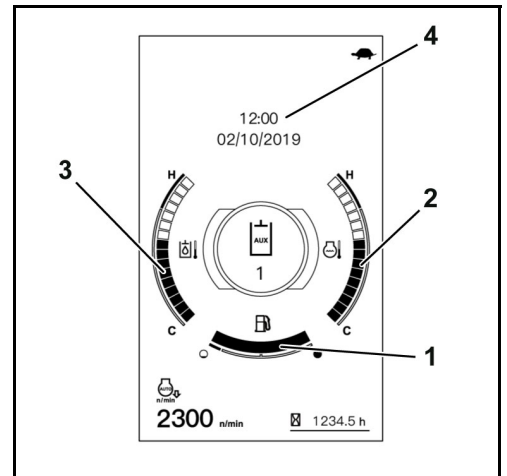


## Fuel level, coolant temperature, hydraulic oil temperature date and time - check



*The following function can be carried out when the key is not in the starter switch.*

The display shows the fuel level (1), the date and time (4), the hydraulic oil temperature (3) and the coolant temperature (2).



## Setting up the workplace

Please refer to the "Opening and closing the cab door" section (page 139).

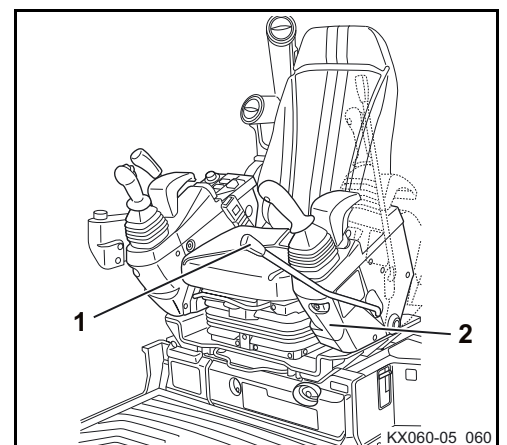
## Getting on the machine

- Move the left control console (2) up as far as possible by pulling the control lever lock (1) up.



*The control console must remain in this position until the engine is started, as the engine can only be started in this position.*

- Get on the machine by using the crawler or step as a stepping aid.
- Sit down on the operator's seat.



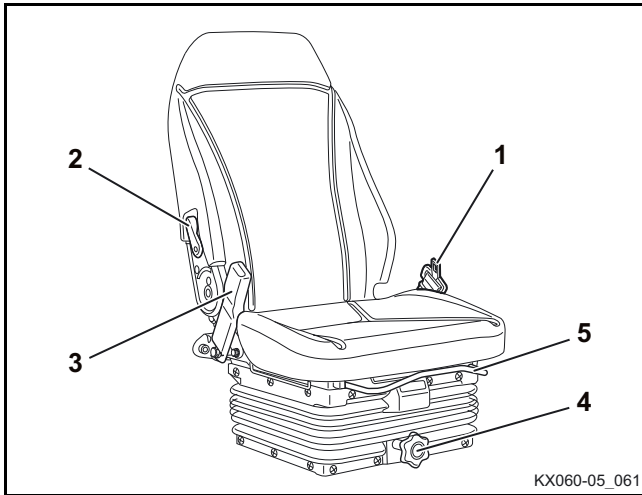
### Adjusting the operator's seat



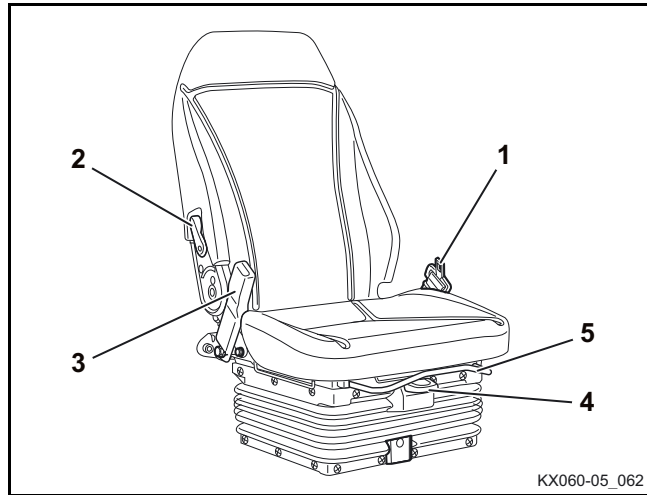
Adjust the operator's seat so that fatigue-free and comfortable working is possible. It should be possible to operate all controls safely.

#### Horizontal seat adjustment (seat stand-off)

Pull the horizontal seat adjustment lever (5) up and move the seat to the desired position by moving it forward or back, then release the lever.



Mechanical suspension seat



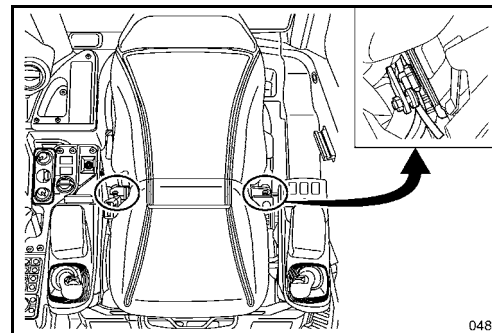
Air suspension seat (optional)



Check that the seat is locked into place.



In adjusting the seat horizontal position, be careful not to get your hands caught between the seat stoppers at the seat's rear corners and the stoppers at the wall behind the seat.



### Seat height adjustment for mechanical suspension seat (knee height)

The seat height can be adjusted to three stop positions. To adjust the seat height, slowly raise the seat until it automatically engages in the next stop. When the seat is raised over the highest stop, it will be lowered automatically to the lowest position again.



*Adjust the seat height in relation to its horizontal position so that the foot controls can be operated safely.*

- To raise: Raise the seat to the desired position and engage it.
- To lower: Raise the seat to the highest position, lower it fully and engage it.



*Make sure that the seat adjuster is engaged.*

### Spring adjustment for mechanical suspension seat (operator's weight)

- The seat can be set to the weight of the operator with the rotary knob (figure above, position 4).
- Turning the grip clockwise increases spring tension (heavier operator), turning the grip anticlockwise reduces spring tension (lighter operator).
- Adjust the seat so that a comfortable cushioning is achieved.

### Seat height adjustment (knee height and operator's weight) for air suspension seat

To adjust the height and spring (operator's weight) of the air suspension seat, use the switch (4). This switch works for both the adjustments.

The seat height is adjustable step-less.

Take the following procedure to achieve a comfortable cushioning effect.

Raising the seat for a heavier operator:

- Turn on the key and pull up the switch (4).

While holding down the switch (4), the seat keeps moving up to its highest position.

Lowering the seat for a lighter operator:

- Pull down the switch (4).

While holding down the switch (4), the seat keeps moving down to its lowest position.

\* The seat can be moved down even if the key is off.



*Do not hold up the switch (4) longer than 30 seconds. The air suspension may get damaged. The operator is supposed to weigh less than 150 kg.*

### Adjusting the console

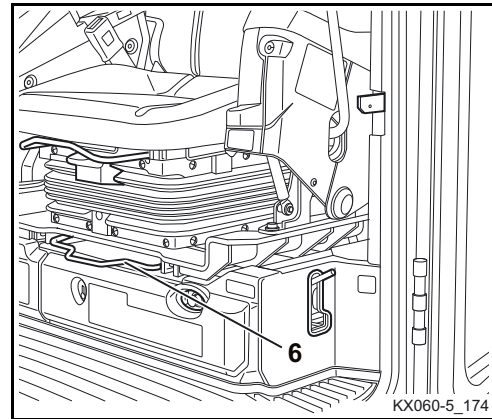
- Pull up the console adjust lever (6) vertically and move it back and forth to adjust the horizontal position of the console. Then release the lever.



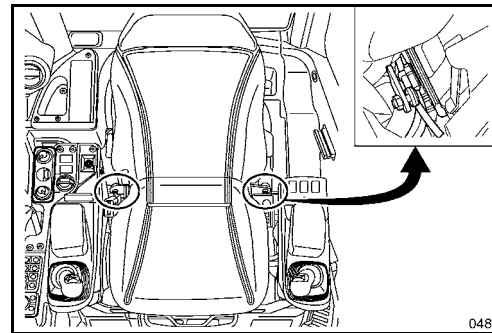
*With the console in a desired position, make sure the adjust lever is locked.*



*Do not step on the console adjust lever nor force it to move up. Otherwise the console adjust lever may get deformed, causing a trouble.*



*In adjusting the console horizontal position, be careful not to get your hands caught between the seat stoppers at the seat's rear corners and the stoppers at the wall behind the seat.*



### Backrest adjustment

- Take the load off the backrest and pull the backrest adjustment lever (figure above, position 2). Set the backrest to the desired sitting position and release the lever. The backrest should be adjusted so that the operator can safely operate the control levers with the back resting completely on the backrest.



*In moving the lever, be careful not to get your hands caught between the seat and the stoppers at the wall behind the seat.*

### Seat belt



**Risk of accidents!**

*Operating the machine without wearing the seat belt is prohibited!*

*The belt buckle is equipped with a sensor. This sensor detects whether the seat belt is fastened and whether the tongue is inserted and latched in the buckle.*

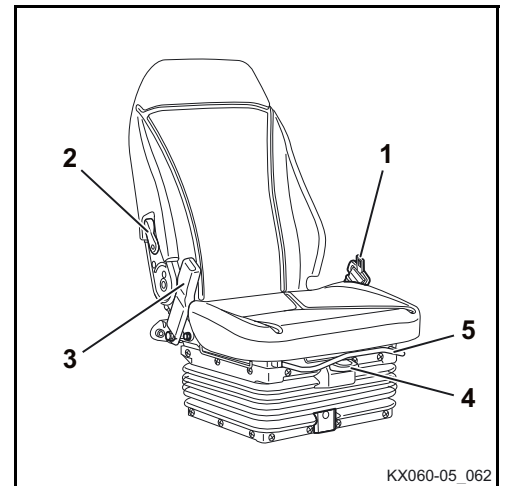
*If the engine starts and the seat belt is not latched inside the buckle, a warning message appears on the display.*

- Only operate the machine with the seat belt fastened.

- Pull the seat belt (1) out of the belt retractor, wrap it around your waist and latch it in the buckle (3).
- Make sure the seat belt is fastened tightly and the retractor is engaged.
- To release the seat belt, press the red button on the buckle and slowly guide the belt back into the belt retractor.



*When removing the seat belt, store the belt straight. If you store the belt without straightening it, the belt lock in the belt retractor may not work properly.*



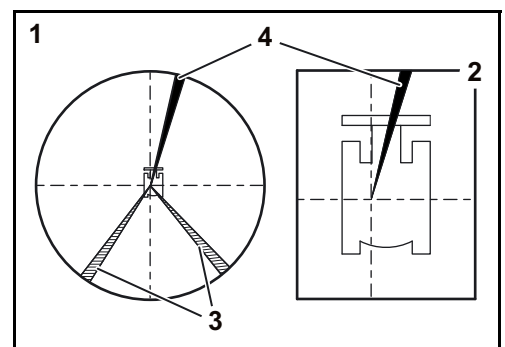
KX060-05\_062

### Field of view

When the operator is sitting in the driver's seat, the field of view is partially impaired by the machine as some areas are obscured. It is important to be familiar with and understand the visibility conditions when operating the machine. Within the machine's immediate radius of action, this helps to detect hazards that may cause accidents early on and thus prevent them.

The illustration shows the field of view and the areas that are not visible. The field of view varies from operator to operator and depending on the position of the seat.

1. Field of view within a radius of 12 m
2. Field of view in the immediate area
3. Indirect field of view (visible using mirrors)
4. Obscured areas



- Take a seat in the operator's seat and adjust the seat (page 90).
- Check obscured areas (4) and indirect field of view (3) shown in the illustration from the seated position.
- In order to familiarise yourself with the obscured areas, check the field of view (1 and 2) for a clear line of sight.

- In order to see the indirect field of view (3), adjust the rear view mirrors (page 94).



The obscured areas in the previous figure were determined using a field of view test method based on the performance criteria from ISO 5006:2017.

If structural modifications to the machine restrict the defined visibility conditions, then the machine operator must carry out a new risk assessment for the changed visibility conditions. The operator can use the “Field of view” section in these operating instructions as a reference for the new risk assessment.

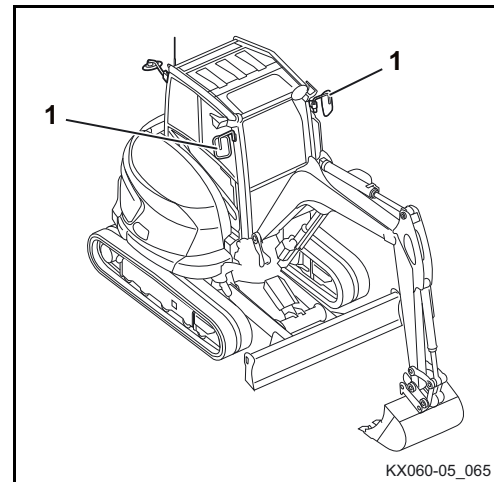
### Adjusting the rear view mirrors



#### **Risk of accidents!**

Adjust the rear view mirrors while the machine is standing still and the engine is switched off.

- Check whether the area behind the machine is obscured from view.
- Check the adjustment of the rear view mirrors (1).
- If necessary, adjust the rear view mirrors in order to ensure a clear view of the rear and of the obscured areas.



### Cleaning and maintaining the rear view mirrors

- If the rear view mirrors are dirty or steamed up, wash and wipe them dry.
- Replace lost, damaged, tarnished or warped rear view mirrors immediately with new rear view mirrors.
- If the rear view mirrors can no longer be adjusted, repair the adjustment mechanism, or replace the rear view mirrors if necessary.



## Safety instructions for starting the engine



*The machine is equipped with an anti-theft system (page 158).*



*When starting the machine for the first time on a work day, carry out the pre-operational services (page 83).*



*Make sure that there are no persons within the machine's working area. It is essential to warn persons in the vicinity of the machine by briefly honking the horn.*



*Make sure that all operational controls are in the neutral position.*



*Starting the machine is only allowed when the operator is sitting on the operator's seat.*



*Before starting the engine, make the necessary operator station adjustments (page 89).*





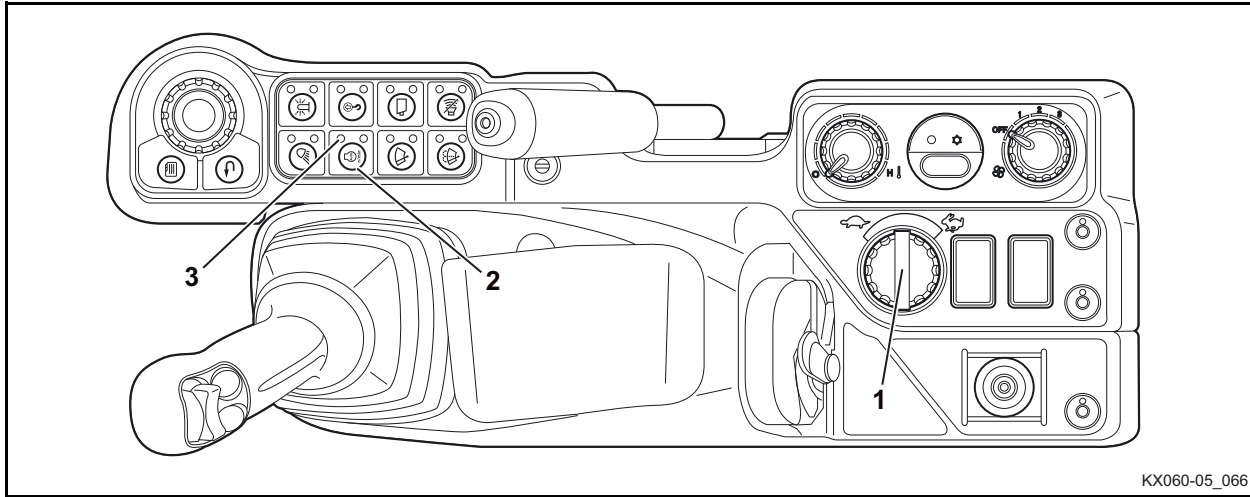
*If the engine does not start immediately, cease the starting procedure. Wait a short time before reattempting a start. If the engine does not start after several attempts, contact skilled personnel. If the battery is discharged, jump-start the machine (page 145).*



*Do not use Start Pilot or similar substances as a starting aid.*

### Starting the engine

- Place the potentiometer (1) to the centre position between  and . The AUTO IDLE switch (2) is switched off. The indicator (3) does not light up.



KX060-05\_066

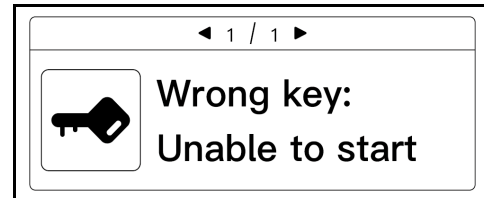
- Insert the key into the starter switch and turn it to the RUN position.



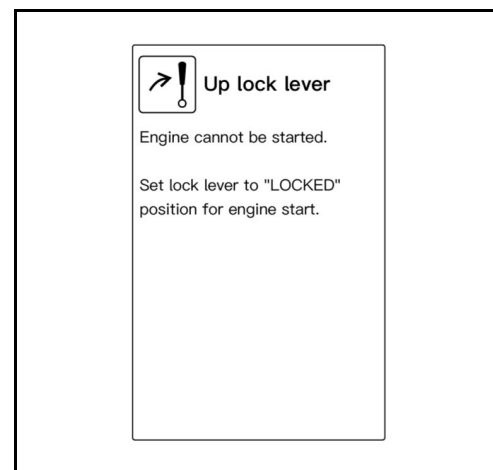
*Before starting the engine, make sure that the dozer control lever is not at the floating position (page 118).*



*The machine is equipped with an anti-theft system. If someone tries to start the machine with the wrong key, the display message as in the figure on the right appears.*



*If the bunch of keys contains metal parts, such as key rings or other keys, the engine might fail to start.*



If the control lever lock is not raised, the display message as in the figure on the right appears.

## Operation

The display message as in the figure on the right appears for a short period of time. The engine can be started after it disappears.

The engine oil pressure indicator (2) lights up, then goes out again after the engine has started.

The charge indicator (3) lights up, then goes out again after the engine has started.

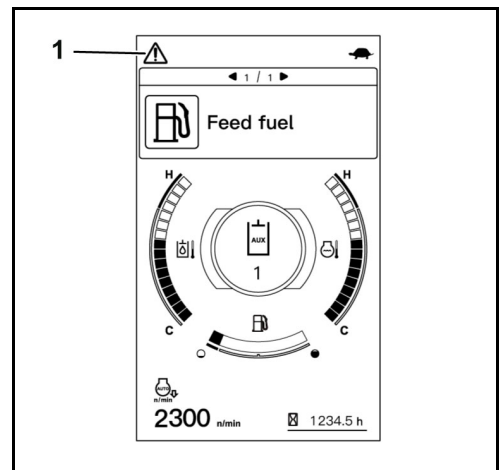
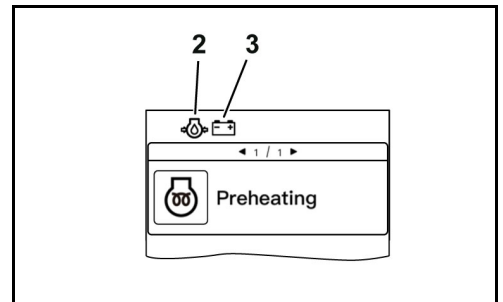
If the indicators do not light up when the starter switch is in the RUN position, remove the key and contact suitably qualified personnel.

If the message "Feed Fuel" appears in the display and the warning light (1) flashes yellow, there is very little fuel left in the tank. Refuel the machine (page 147).

- Turn the starter switch to the START position and hold it there until the engine has started. Release the starter switch.
- If the engine does not start within 10 seconds, turn the starter switch to STOP, then wait for 20 seconds and repeat the start procedure.

When the engine starts, the display indicators may turn off briefly and an audible signal may sound. This does not constitute a failure.

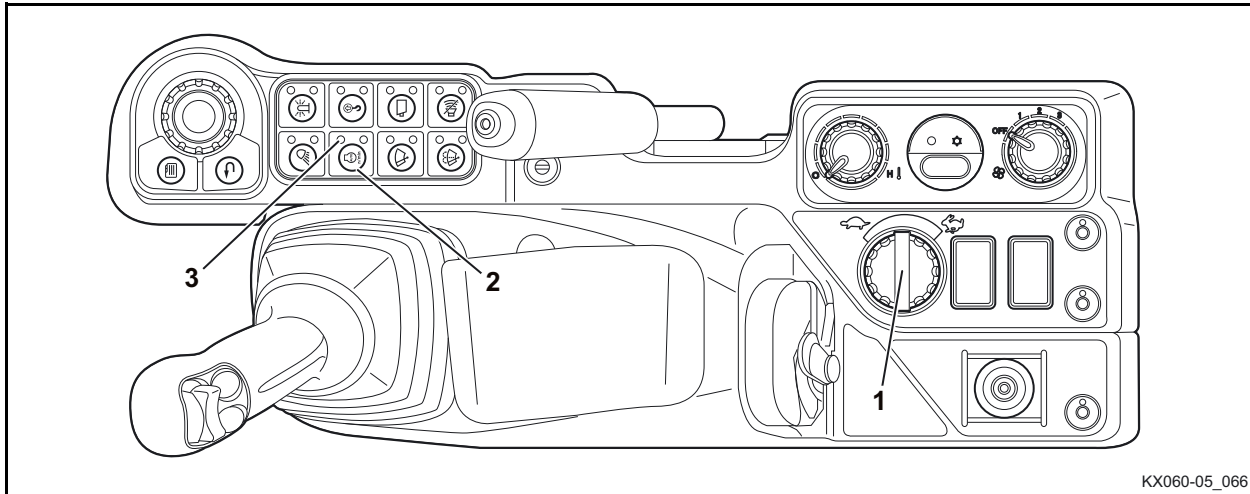
- Lower the left control console and make sure that the control lever lock engages.
- Let the engine run at middle speed until the operating temperature has been reached.



After the engine has reached its operating temperature, set the engine speed required for operation:

- Turn the potentiometer (1) towards  or  until the required speed is reached.
- Turn on AUTO IDLE control (2).

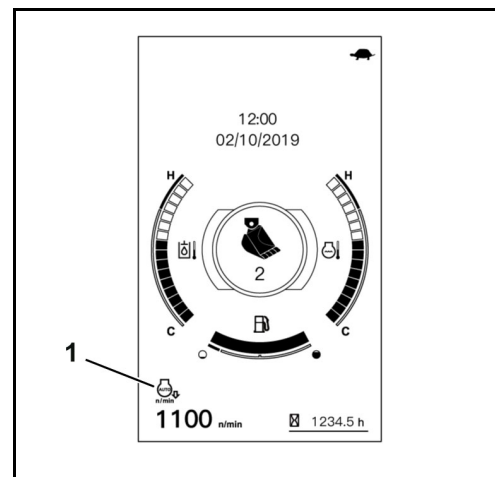
The indicator (3) lights up when the AUTO IDLE control is enabled. The AUTO IDLE control makes sure that the pre-selected engine speed drops down to idle speed after approx. 4 seconds - provided that no control lever is being used.



*When the hydraulic oil is cold (i. e. in cold-weather conditions), the AUTO IDLE control may experience problems during the warm-up phase. This does not constitute a failure.*

When AUTO IDLE control turn on, the AUTO IDLE indicator (1) comes up.

When engine speed drops down to idle speed by AUTO IDLE control, the auto idle indicator (1) flash.

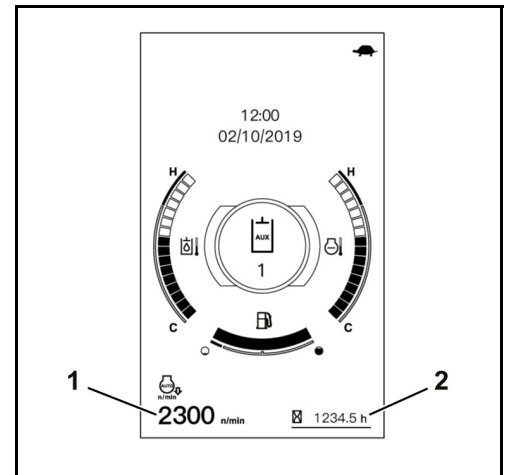


## Operation

Numeric (1) displays of the engine speed show the engine's current number of revolutions per minute.

The time meter (2) shows the actual hours of operation of the machine (independent from the engine speed).

Keep an eye on the displays and indicators during operation (page 100).



### Start the engine in Cold-Weather Conditions

- Turn the potentiometer to the position.
- The AUTO IDLE switch is switched off.
- Insert the key into the starter switch and turn it to the RUN position.
- The preglowing indicator lights up for a short period of time. The engine can be started after it disappears.
- Turn the starter switch to the START position and hold it there until the engine has started. Release the starter switch.

If the engine does not start, turn the starter switch to STOP and then repeat the start procedure.

### Stopping the engine



*If the engine is to be stopped to take the machine out of operation, the services for placing the machine out of operation (page 133) must be carried out.*

- Turn the starter switch to the STOP position and remove the key.



*Do not stop the engine by shutting down the battery power directly with a battery switch or by other means.  
Doing so may cause failure or malfunction.*

### Observation of the displays after starting and during operation

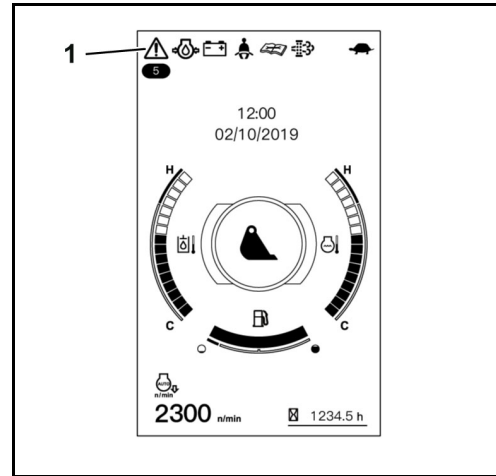
The operator must observe the display indicators and displays after starting and during operation.



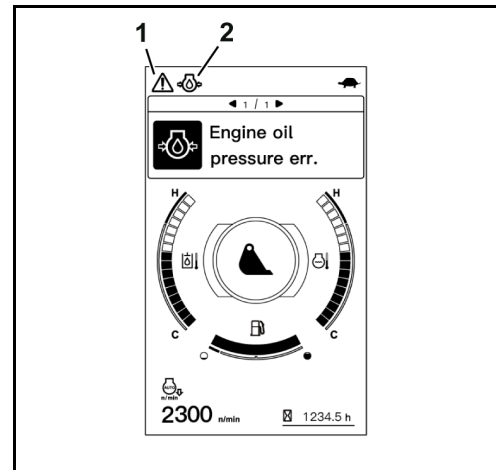
The warning light (1) flashes red when a system fault or technical malfunction occurs. Stop the engine immediately! The warning light flashes yellow when the system issues a warning. In addition to the messages that appear in the display, you will also hear an acoustic warning signal.



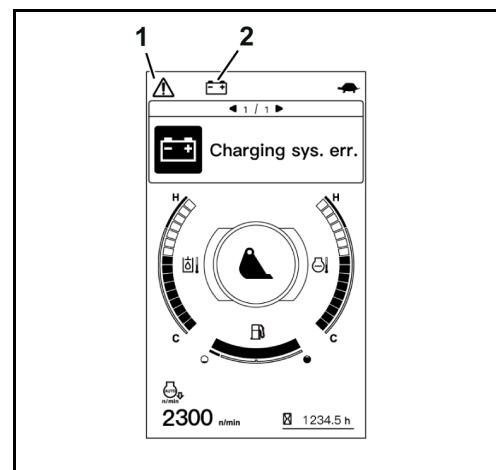
Clear the messages by taking appropriate steps, see "Troubleshooting: Display indications" (page 166), or contact qualified personnel if necessary.



If the engine oil pressure becomes too low during operation, the engine must be stopped immediately. The engine oil pressure indicator (2) lights up, the warning light (1) flashes red and the display message as in the figure on the right appears.



If a fault occurs in the charging system during operation, the engine must be stopped immediately. The charge indicator (2) lights up, the warning light (1) flashes red and the display message as in the figure on the right appears.



## Operation

When the machine is being operated at or close to full capacity, the temperature of the coolant can rise a little higher than normal. The display message as in the figure on the right appears.

Operate the machine only with reduced loads until the operating temperature is normal again.



If the coolant temperature is too high, cool down the engine by changing into idle. The display message as in the figure on the right appears.



*Allow the machine to idle for five minutes before switching off the engine!*

- Check the level of the coolant in the expansion tank.



*Do not open the radiator cap → risk of scalding.*

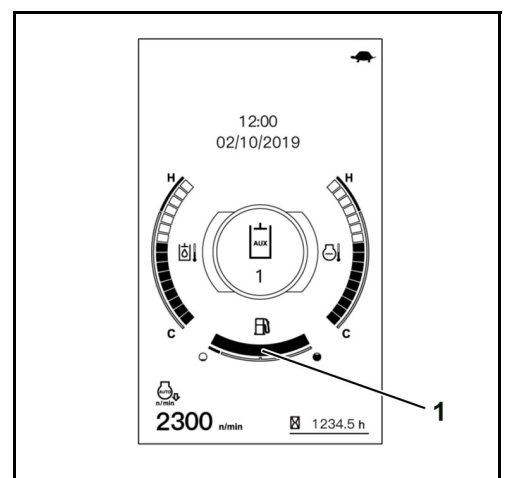
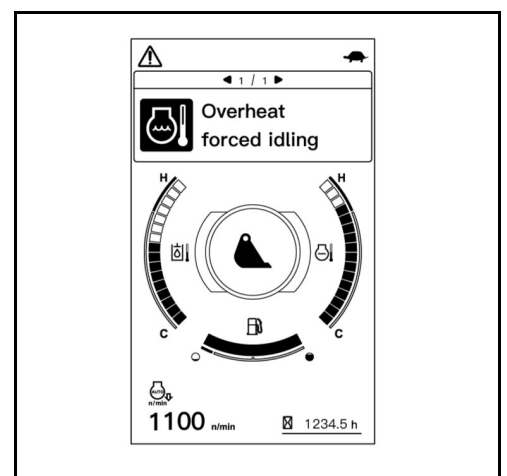
- If the water level is below the "LOW" mark, let the engine cool completely and add coolant (page 182).
- Check the cooling system for leaks; if necessary, contact skilled personnel.
- Check if the V-belt is very loose or broken; if necessary, contact skilled personnel.
- Check if the air intake in the right side panel, the radiator, and the condenser are very dirty. If necessary, clean the radiator (page 183).
- Watch the fuel gauge (1).



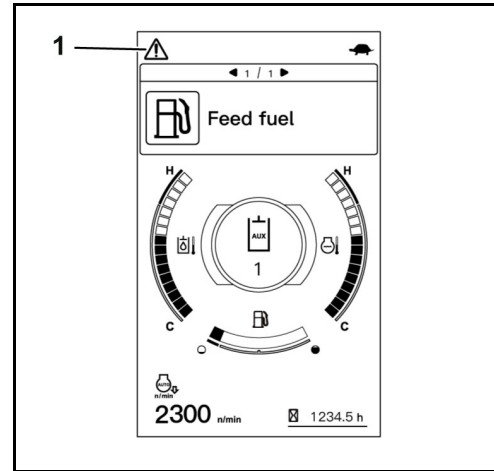
*The bar indicates the amount of fuel remaining in the tank. The bar slowly becomes shorter as fuel is used up during operation.*



*When the fuel tank is empty, the machine cannot be operated. The machine must be refuelled and the fuel system bled.*



If the message "Feed Fuel" appears in the display and the warning light (1) flashes yellow, there is very little fuel left in the tank. Refuel the machine (page 147).

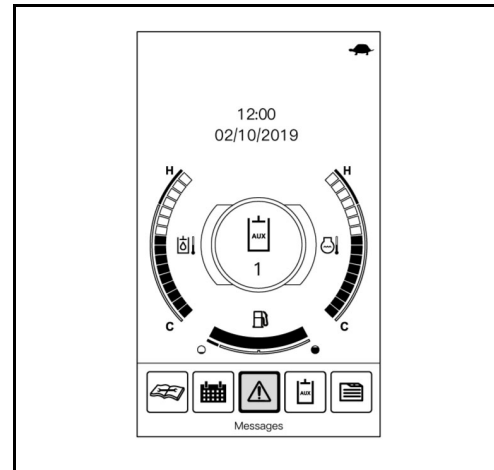


### Checking error messages

- Press menu switch on dial switch.

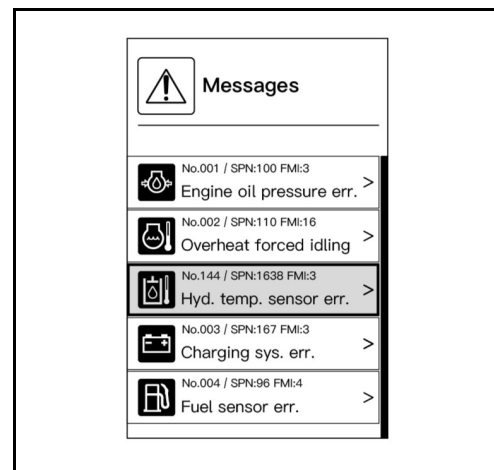
The menu bar appears in the display. ("Messages" is selected.)

- Press Jog dial (enter switch).



The list of messages appears in the display.

- Rotate jog dial to the right or the left until the desired item is selected.
- Press Jog dial (enter switch).





## Operation

---

### **Also stop the engine immediately if**

- the engine speed rises or drops suddenly,
- abnormal noises are heard,
- the mechanical equipment do not respond to the control lever as expected or
- the exhaust fumes are black or white. When the engine is still cold, white smoke for a short time is normal.

### Particle filter regeneration

The machine has an exhaust system that is equipped with a diesel particle filter, which filters out carcinogenic soot particles from the exhaust gases.

The particle filter must be regenerated regularly in order to prevent the soot particles from clogging the particle filter rendering it useless. To do so, the exhaust temperature is increased automatically to incinerate the soot in the particle filter.

The particle filter is regenerated automatically. It can also be manually started or blocked.

#### General notes



**Health hazard!**

*Soot particles from the exhaust gases are carcinogenic.*

*The regeneration should be done outdoors only.*

*Despite using a particle filter, there is still a risk of poisoning by inhaling the exhaust gases!*

- *Observe the safety regulations of TRGS 554 and any national regulations.*



**Risk of fire and injury!**

*During regeneration, the exhaust gas temperatures increase significantly, and the gases leaving the exhaust system are hotter than during normal operation.*

*There is a risk of fire and injury when people, animals, plants or flammable materials are close to the exhaust system!*

- *The exhaust system and the space around the exhaust system should be kept free of flammable materials.*
- *Stop the particle filter regeneration if there are any risks to the environment.*
- *Do not leave the machine unattended during particle filter regeneration.*
- *The particle filter should be regenerated only outdoors.*



*The particle filter regeneration may be disabled and released any time using the inhibit switch (1).*

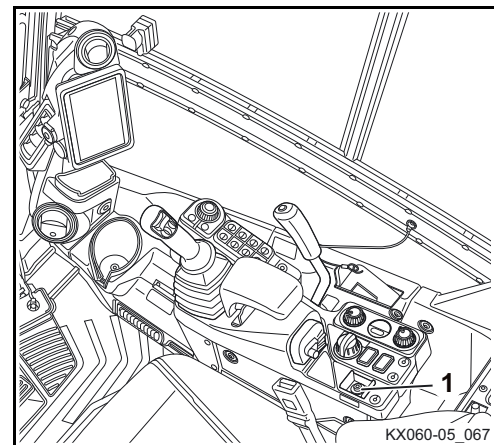
*The particle filter regeneration lock will be displayed by the indicator and a related message on the display.*



**Risk of damage to the particle filter!**

*The particle filter can be damaged irreparably by the carbon particles if incorrect engine oil or incorrect diesel fuel is used.*

- *Use only engine oils with the specification "API CJ-4" or "API CK-4".*
- *Use only low-sulphur diesel fuels.*
- *Adhere to the list of operating materials.*

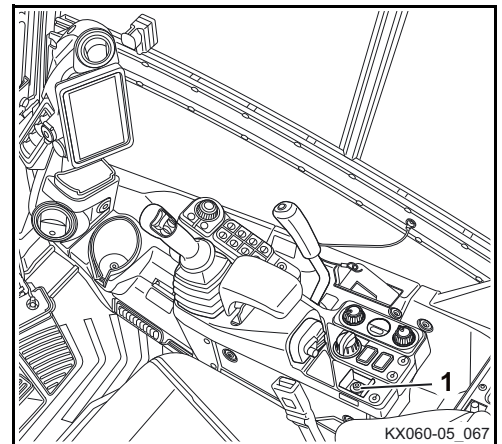


High engine speeds result in a higher temperature of the exhaust gas. This burns the particulate in the particle filter. This reduces the number of regeneration cycles required when compared to lesser load on the engine. The exhaust gas temperature is not high enough to burn the soot particles in the particle filter in idling and part-load conditions. As a consequence, the number of regeneration cycles increases. Hence, it is advisable not to operate the engine in idle condition frequently.

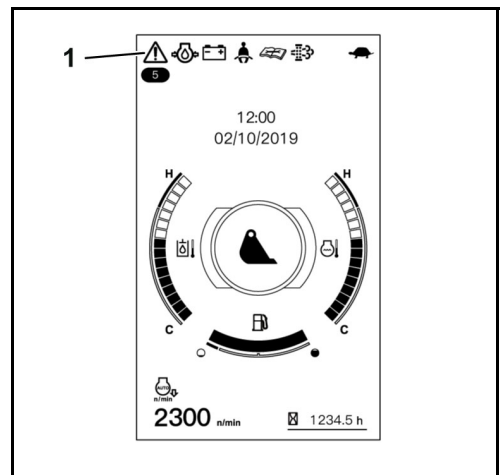
## Automatic particle filter regeneration - Procedure

The following conditions have to be met for carrying out automatic regeneration.

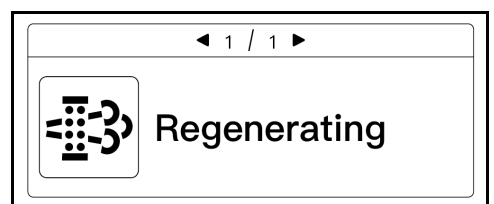
1. The automatic particle filter regeneration is released (1).
2. The engine coolant should be at operating temperature.
3. The engine speed should be the speed such the “Raise engine speed” indicator and message disappear.



Various messages are shown in the display during the regeneration process. In addition, the yellow or red warning light (1) flashes depending on the relevance of the message.



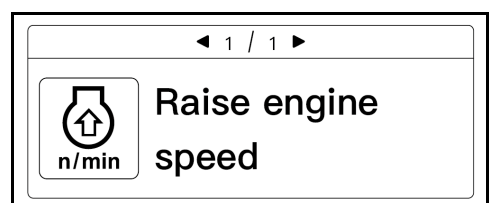
When the particle filter regeneration starts, a message appears in the display as shown in the figure on the right. In addition, the yellow warning light flashes and an audible signal is emitted every 60 seconds.



The exhaust temperature will increase significantly during particle filter regeneration. However, the machine can continue to be operated.

- Make sure that no people, animals, plants and/or flammable materials are within the immediate working area!

If the engine speed is too low, the message in the display changes every 3 seconds, as shown in the figure on the right. In addition, the yellow warning light flashes and an audible signal is emitted every 60 seconds.



- Raise the engine speed until the “Raise engine speed” indicator and message disappear.

The particle filter is regenerated.



*If the particle filter is regenerated frequently and incompletely, the degree of saturation increases in the particle filter. The engine power is reduced to 50 % to prevent damages to the particle filter.*

If the degree of saturation increases, the message in the display changes every 3 seconds, as shown in the figure on the right. In addition, the yellow warning light flashes and an audible signal is emitted every 60 seconds.

The particle filter is regenerated. But the engine power is restricted to 50 %.

If the engine speed is too low, the message in the display changes every 3 seconds, as shown in the figure on the right. In addition, the red warning light flashes and an audible signal is emitted at brief intervals.

- Raise the engine speed until the “Raise engine speed” indicator and message disappear.

The particle filter is regenerated. But the engine power is restricted to 50 %.

The display message as in the figure on the right appears. In addition, the red warning light flashes and an audible signal is emitted at intervals.

The engine switches off automatically. Restarting and raise the engine speed until the “Raise engine speed” indicator and message disappear.

- Turn the starter switch to the STOP position.
- Start engine.
- Raise the engine speed until the “Raise engine speed” indicator and message disappear.

The particle filter is regenerated. But the engine power is restricted to 50 %.

If the degree of saturation is very high, the particle filter has to be reconditioned by your KUBOTA dealer.

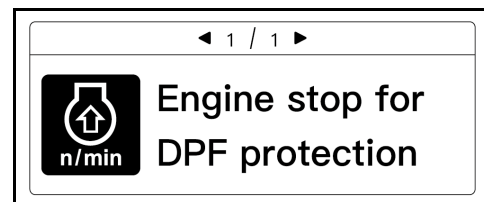
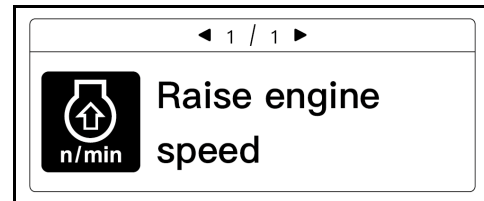
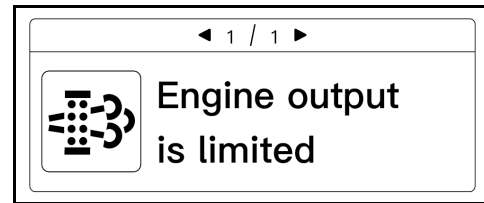
The display message as in the figure on the right appears. In addition, the red warning light flashes and an audible signal is emitted at intervals.

- Inform your KUBOTA dealer immediately.

If the particle filter is clogged and damaged, then the particle filter needs to be replaced by the KUBOTA dealer.

The display message as in the figure on the right appears. In addition, the red warning light flashes and an audible signal is emitted continuously.

- Inform your KUBOTA dealer immediately



**Automatic particle filter regeneration - Overview**

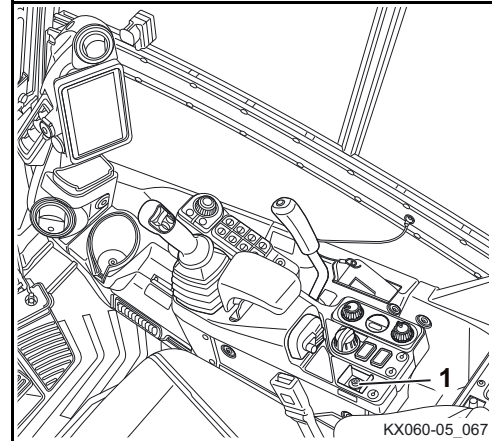
Warning light	indicator	Explanation	Measure
<p>flashing (yellow)</p>	<p>Regenerating</p> <p>Raise engine speed</p>	<p>Automatic regeneration process starts.</p> <p>If the message "Raise engine speed" is shown in the display, then the operator has to create the conditions necessary for regenerating the particle filter.</p>	<p>Make sure that no people, animals, plants and/or flammable materials are within the immediate working area.</p> <p>Raise the engine speed until the "Raise engine speed" indicator and message disappear. The automatic particle regeneration starts.</p> <p>All the functions and auxiliary ports 1 and 2 continue to be available during the regeneration.</p>
<p>flashing (red)</p>	<p>Raise engine speed</p>	<p>If the message "Raise engine speed" is shown in the display, then the operator has to create the conditions necessary for regenerating the particle filter.</p> <p>The particle filter is clogged if the message "Engine output is limited" is shown in the display. The engine power is reduced to protect the particle filter.</p> <p>When the control lever lock is lifted, the engine switches off after 60 seconds to protect the particle filter.</p>	<p>Make sure that no people, animals, plants and/or flammable materials are within the immediate working area.</p> <p>Raise the engine speed until the "Raise engine speed" indicator and message disappear. The automatic particle regeneration starts.</p> <p>All the functions and auxiliary ports 1 and 2 continue to be available.</p>
<p>flashing (red)</p>	<p>Engine stop for DPF protection</p>	<p>When the control lever lock is lifted, the engine switches off after 60 seconds to protect the particle filter.</p> <p>If the control lever lock is lowered, the engine speed is limited.</p>	<p>Raise the engine speed until the "Raise engine speed" indicator and message disappear.</p> <p>Inform your KUBOTA dealer if the regeneration does not start automatically.</p>
<p>flashing (yellow)</p>	<p>Engine output is limited</p>	<p>The particle filter is clogged if the message "Engine output is limited" is shown in the display. The engine power is reduced to protect the particle filter.</p>	<p>Keep raising engine speed and finish DPF regen. process.</p> <p>Make sure that no people, animals, plants and/or flammable materials are within the immediate working area.</p>
<p>flashing (red)</p>	<p>DPF needs repairs</p>	<p>The particle filter is clogged with soot particles and the particle filter regeneration can no longer start. The particle filter must be repaired.</p> <p>The engine power is reduced to protect the particle filter.</p>	<p>Inform your KUBOTA dealer immediately.</p>
<p>flashing (red)</p>	<p>DPF needs replacement</p>	<p>The particle filter has to be replaced.</p> <p>The engine power has to be limited to protect the particle filter.</p>	<p>Inform your KUBOTA dealer immediately.</p>

### Blocking and releasing the particle filter regeneration - Procedure

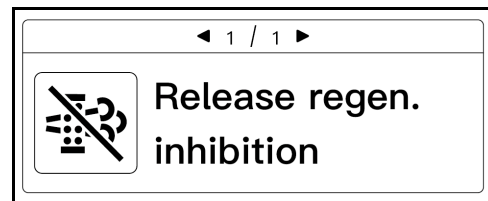
- Press the inhibit switch (1).

The automatic particle filter regeneration is locked and the indicator lights up on the display.

The particle filter regeneration must be performed in certain intervals. If the automatic particle filter regeneration has been locked and the particle filter is fully saturated with soot, the operator is prompted to enable particle filter regeneration.



The display message as in the figure on the right appears. In addition, the yellow warning light flashes and an audible signal is emitted at brief intervals.

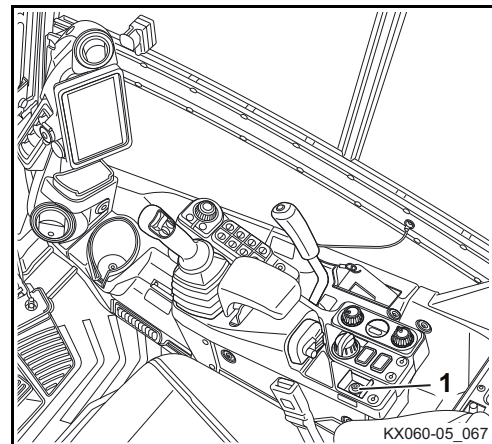


- Press the inhibit switch (1).

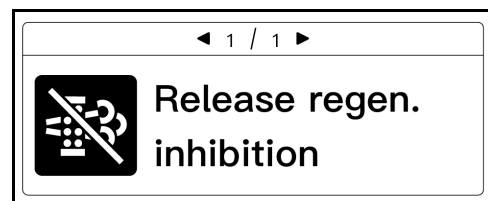
The indicator goes out and regeneration starts.

If the particle filter regeneration is not released using the switch, the degree of saturation in the particle filter continues to increase.

The engine power of the machine is reduced to prevent damage to the particle filter.



The display message as in the figure on the right appears. In addition, the red warning light flashes and an audible signal is emitted at intervals.



- Press the inhibit switch (1).
- Raise engine speed.
- Continue the operation.

The indicator in the switch stops glowing. The particle filter is regenerated. But the engine power is restricted to 50 %.

- Make sure that the regeneration process is shown on the display and that it proceeds until the display message disappears.

## Operation

The display message as in the figure on the right appears. In addition, the red warning light flashes and an audible signal is emitted at intervals.



The engine switches off automatically. Restarting and raise the engine speed until the "Raise engine speed" indicator and message disappear.

- Turn the starter switch to the STOP position.
- Start engine.
- Raise the engine speed until the "Raise engine speed" indicator and message disappear.

The particle filter is regenerated. But the engine power is restricted to 50 %.

If the particle filter regeneration was locked permanently, the particle filter must be reconditioned by your KUBOTA dealer.



The display message as in the figure on the right appears. In addition, the red warning light flashes and an audible signal is emitted at intervals.

- Inform your KUBOTA dealer immediately.





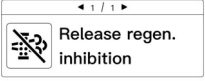


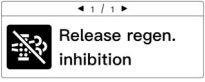
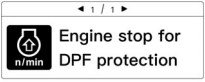


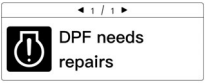


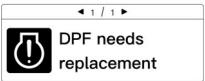
If the particle filter is clogged and damaged, then the particle filter needs to be replaced by the KUBOTA dealer.



The display message as in the figure on the right appears. In addition, the red warning light flashes and an audible signal is emitted continuously.

Inform your KUBOTA dealer immediately

### Blocking and releasing the particle filter regeneration - Overview

Inhibit indicator	Warning light	indicator	Explanation	Measure
 lights up (yellow)	 does not glow	-	Automatic regeneration process blocked. The state is before a required regeneration. If the lock switch starts flashing, then regeneration is required.	All the functions and auxiliary ports 1 and 2 continue to be available.
 flashing (yellow)	 flashing (yellow)		Automatic regeneration process blocked. The operator has to make the necessary preparations for regenerating the particle filter.	Make sure that no people, animals, plants and/or flammable materials are within the immediate working area. Release the particle filter regeneration using the inhibit switch. Raise the engine speed until the "Raise engine speed" indicator and message disappear. The automatic particle regeneration starts. All the functions and auxiliary ports 1 and 2 continue to be available.
 flashing (yellow)	 flashing (red)	 	Automatic regeneration process blocked. The operator has to make the necessary preparations for regenerating the particle filter. The particle filter is clogged if the message "Engine output is limited" is shown in the display. The engine power is reduced to protect the particle filter. When the control lever lock is lifted, the engine switches off after 60 seconds to protect the particle filter. If the control lever lock is lowered, then the engine is not switched off.	Make sure that no people, animals, plants and/or flammable materials are within the immediate working area. Release the particle filter regeneration using the inhibit switch. Raise the engine speed until the "Raise engine speed" indicator and message disappear. The automatic particle regeneration starts. All the functions and auxiliary ports 1 and 2 continue to be available.
 flashing (yellow)	 flashing (red)		The particle filter is clogged with soot particles and the particle filter regeneration can no longer start. The particle filter must be repaired. The engine power is reduced to protect the particle filter.	Inform your KUBOTA dealer immediately.
 flashing (yellow)	 flashing (red)		The particle filter has to be replaced. The engine power has to be limited to protect the particle filter.	Inform your KUBOTA dealer immediately.



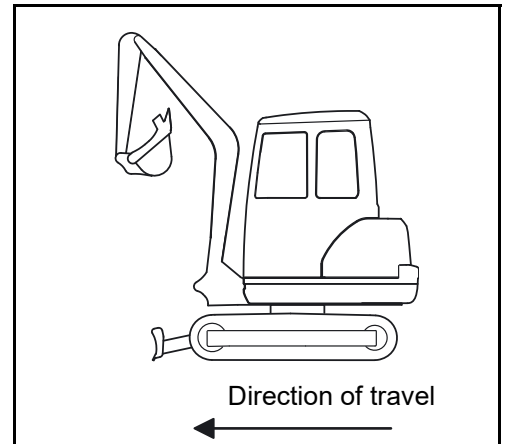
## Operation

### Driving the machine

- Adhere to the general safety rules (page 13) and the safety rules for operation (page 73).
- Carry out the pre-operational services (page 83).
- Start the engine (page 96).
- Observe the displays and indicators (page 100).



Ensure that the boom and the dozer are in the direction of travel as shown in the figure.



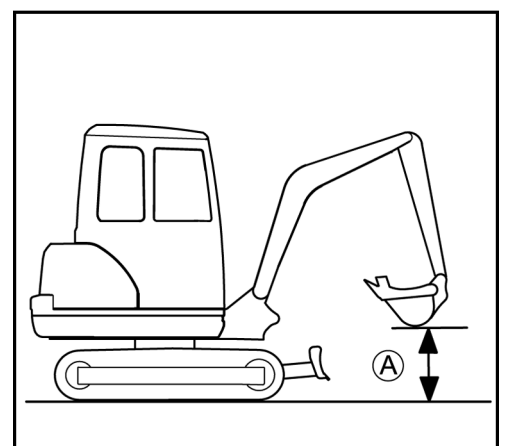
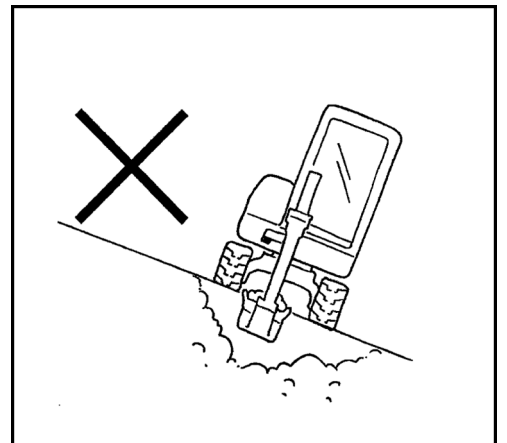
When driving with the machine, always observe the following safety instructions.

When working on slopes, observe the tilt of the machine.

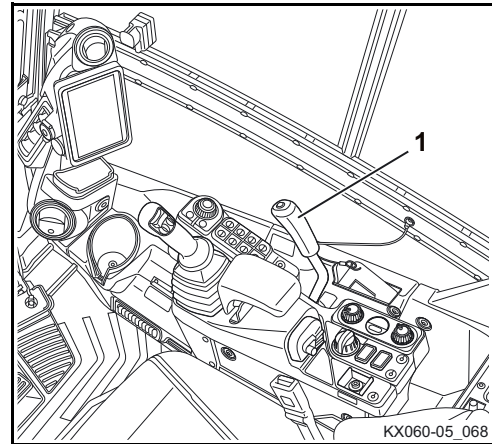
Max. lateral sway → 27 % resp. 15°

Climbing performance → 36 % resp. 20°

- Keep the bucket as low as possible when driving.
- Check the ground for stability, and verify if there are holes or other potential obstacles.
- Approach overhangs and edges of ditches carefully as they could cave in.
- Drive slowly downhill, do not allow the vehicle speed to increase uncontrollably.
- Close the cab door.
- When driving, the bucket should be approx. 200 to 400 mm (A) over the ground (see figure).



- Raise the dozer to the top position by pulling back the dozer lever (1).
- Select an appropriate engine speed.



### Driving

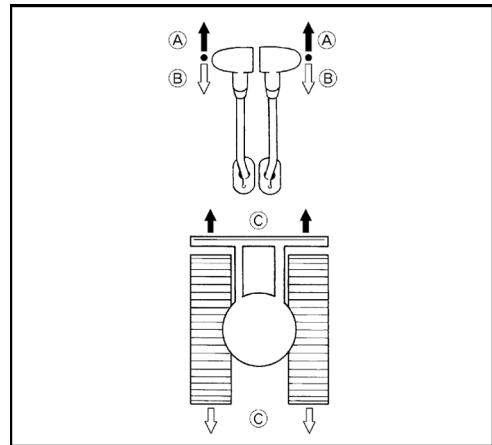
- Push both drive levers forward simultaneously to drive the machine straight ahead. Releasing the drive levers stops the machine immediately. To reverse the machine, pull both drive levers back simultaneously.

- (A) Forward
- (B) Reverse
- (C) Straight ahead



*If the dozer is not at the front, as shown in the figure, but at the rear, the operation of the drive levers is exactly opposite. Drive lever forwards:*

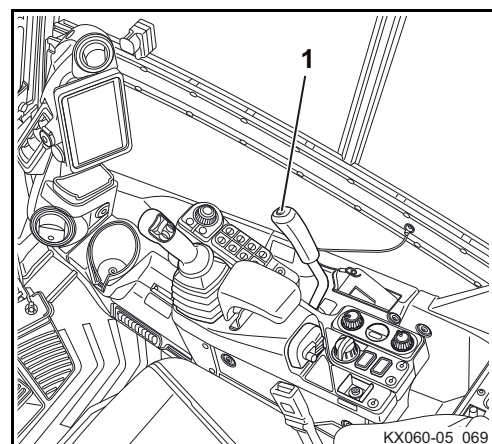
*→ The machine backs up.*



- To drive faster, press the travel speed button (1).



*If the driving resistance increases when driving with travel speed (due to a slope or obstacle), the machine automatically switches to low speed. If the driving resistance decreases after a while, the machine switches automatically back to travel speed.*

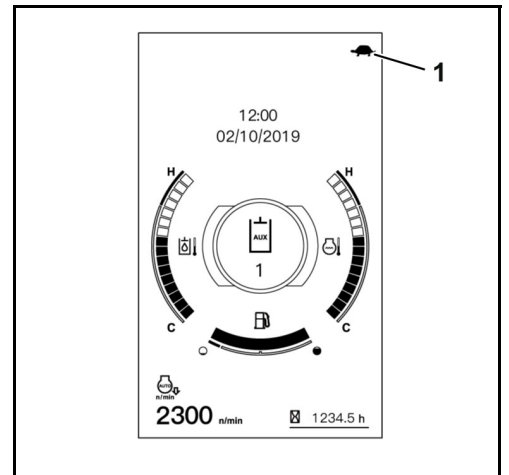


## Operation

Two audible signals will sound and the indicator (1) will change to the icon of fast speed. Pressing the travel speed button again switches back to normal speed and only one signal will sound.



*Do not drive fast on muddy or uneven terrain, also if another control is operated (e.g. turning the swivel frame).*



## Turning



*Turns are described for the forward direction of travel with the dozer at the front. If the dozer is positioned at the rear, the steering movements should be in the opposite direction.*

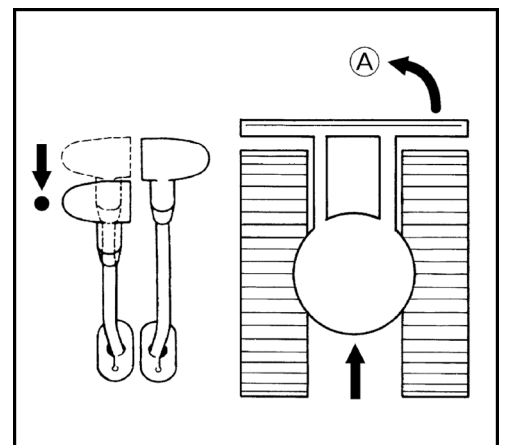


*When making turns, be sure nobody is standing within the swing area of the machine.*

## During driving

- Pull the left drive lever to neutral, leave the right drive lever pushed forward.

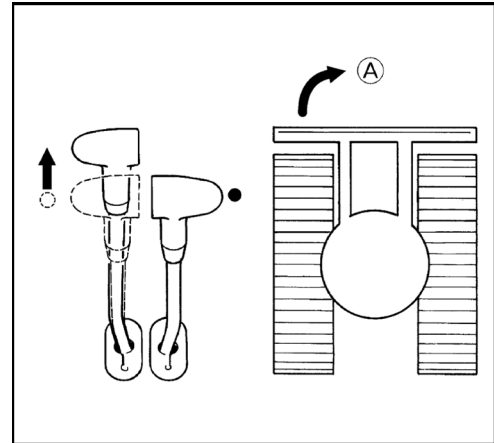
(A) The machine makes a left turn.



### From a standing position

- Leave the right drive lever in neutral, push the left drive lever forward. In this case, the turning radius is determined by the right track.

(A) The machine makes a right turn.



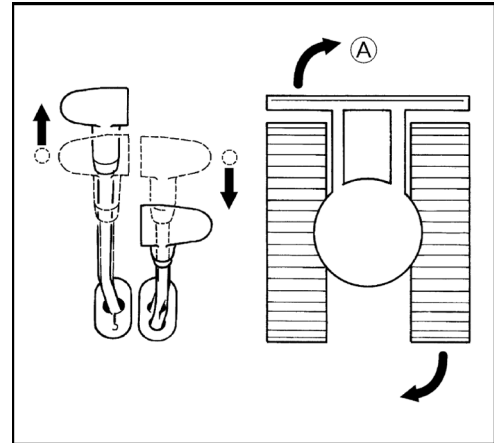
### Turning on the spot



*Do not make a turn on the spot with the travel speed button actuated.*

- Move the drive levers in opposite directions. The tracks will turn in opposite directions. The centre of the vehicle is its vertical axis.

(A) Turning on the spot to the right.

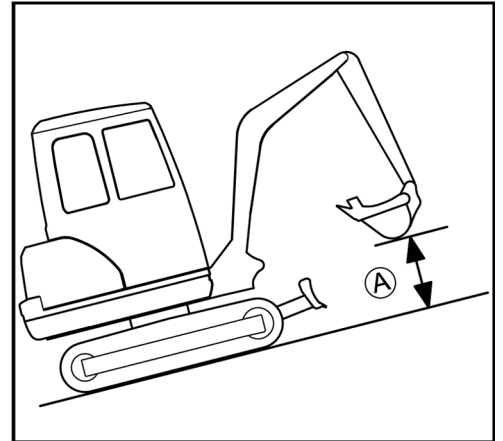


## Driving uphill and downhill

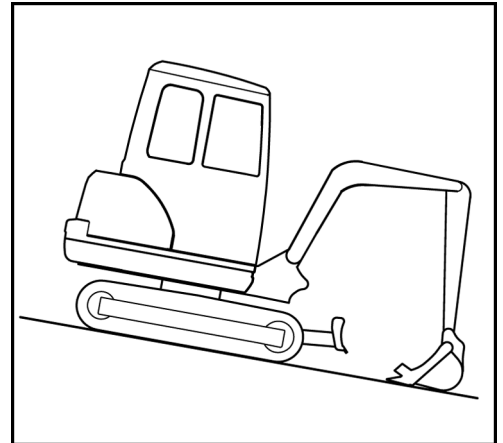


*Exercise extreme caution when driving up and down a slope. Do not use the travel speed button.*

- When driving on gradients, raise the bucket approx. 200 to 400 mm (A) above the ground (see figure).

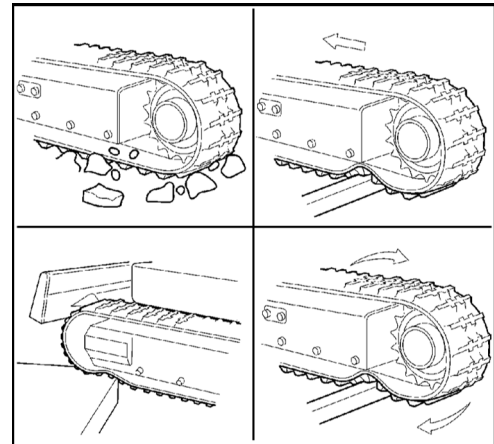


- When driving on gradients, let the bucket slide over the ground if the terrain allows it.



### Notes for rubber crawler operation

- Driving or turning on sharp objects or over steps causes excessive wear on the rubber crawlers and will lead to breaking of the rubber crawler or cause the crawler running surface and the steel inserts to be cut.
- Make sure that no foreign objects get stuck in the rubber crawler. Foreign objects lead to excessive crawler wear and can cause it to break.



- Keep oil products away from the rubber crawlers.
- Remove any fuel or hydraulic oil spilled on the rubber crawlers.

### Making sharp turns

- Do not make sharp turns on streets with a high-friction tarmac, e. g. concrete.

### Protecting the crawler against salt

- Do not work with the machine on the seashore. (The salt will cause the steel insert to corrode.)

## Operating the controls during excavation work



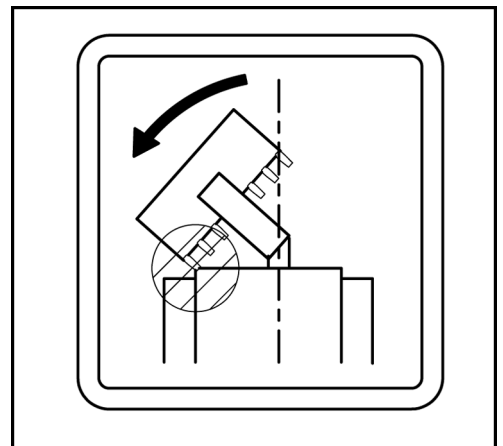
*Always observe the following safety instructions when working with the machine.*

- Breaking concrete or rocks with the bucket is prohibited.
- Do not use the dropping action of the bucket for excavation.
- Never fully extend the cylinders. Always keep a certain safety margin, especially when operating with a breaker (optional).
- Never use the bucket as a hammer to drive posts into the ground.
- Do not drive or dig with the bucket teeth rammed into the ground.
- When loading soil, do not dig the bucket deeply into the ground. Instead, make relatively shallow slices with the bucket out as far as possible. This technique reduces the stress on the bucket.
- When working in water, the water should only reach up to the lower edge of the swivel frame.
- After using the machine in water, always grease the pins on the bucket and arm with grease until the old lubricating grease emerges.
- When digging with the boom above the dozer, make sure that the boom cylinder does not come into contact with the dozer.
- Adhering soil can be shaken off when the bucket is being emptied by moving the cylinder to the end of the stroke. Should this not suffice, dump the arm as far as possible and swing the bucket back and forth.
- To increase the machine's stability, we recommend lowering the bulldozer blade onto the ground. The bulldozer blade may only be used to increase the machine's stability if the bulldozer blade cylinder is equipped with a pipe safety valve. The dozer control lever must not be moved into floating position in the process. The machine's stability is not increased by the bulldozer blade while in the floating position.

### Note on using wider and deeper buckets



*When using a wider or deeper bucket, take good care when swinging or retracting the front attachments to make sure that the bucket does not hit the cab.*

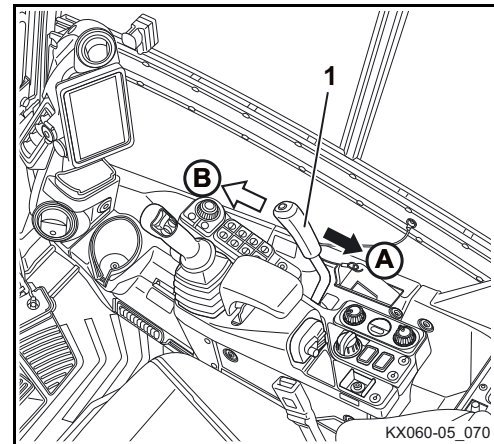


### Operating the dozer



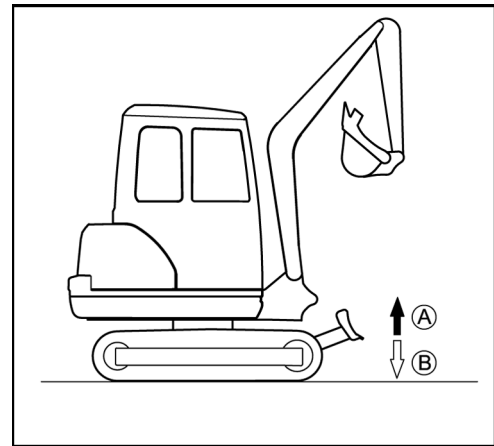
When working with the dozer, operate both drive levers with the left hand and the dozer control lever with the right hand.

- To lift the dozer, pull the dozer control lever (1) back.
- To lower the dozer, push the dozer control lever forward until you start to feel resistance.



(A) Dozer up.

(B) Dozer down.



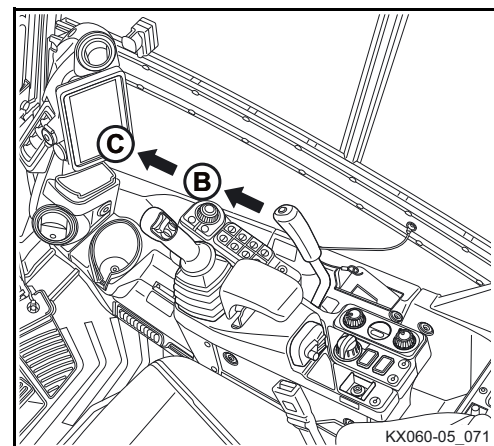
### Floating position



Only use the dozer's floating position on loose ground when driving in reverse. Otherwise, the dozer can dig itself into the ground uncontrollably.

The dozer control lever is used to switch on the floating position. Enabling the floating position releases pressure from the dozer cylinder. This function is used to level the surface while driving in reverse, for example, in order to follow the contour of the surface with the dozer.

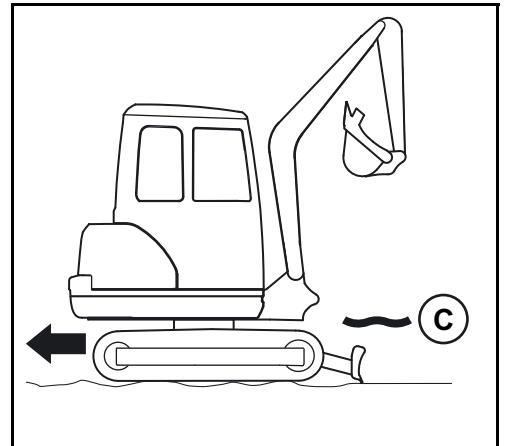
- In order to move the dozer into floating position, push the dozer control lever (1) forwards completely (C) beyond the noticeable resistance (B).





## Operation

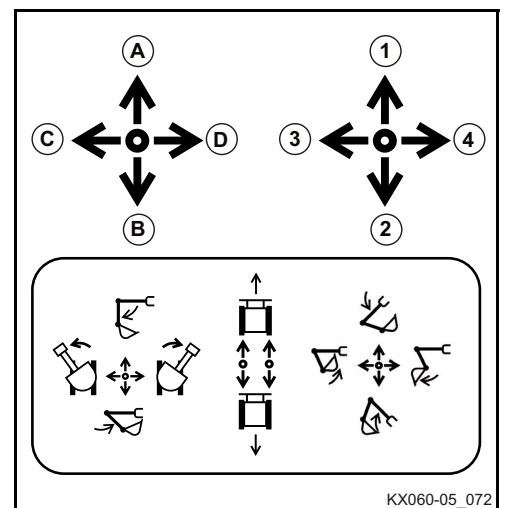
The dozer remains in the floating position until the dozer control lever is returned to the neutral position



### Overview of control lever functions (standard setting)

The figure shows, in connection with the following table, the functions of the left and right control levers.

Control lever		Movement
Right control lever	1	Lower boom
	2	Raise boom
	3	Bucket crowd
	4	Bucket dump
Left control lever	A	Arm dump
	B	Arm crowd
	C	Swivel frame to the left
	D	Swivel frame to the right



### Operating the boom

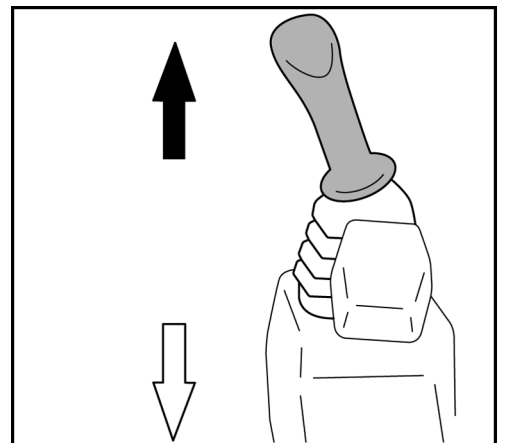
If the machine is overloaded, the boom must be lowered until the load rests on the ground. To prevent personal injuries and damage to equipment, do not operate any other functions (e.g. moving the swivel frame).

- To raise the boom, pull the right control lever back (figure/↖).



The hydraulic cylinder of the boom is equipped with a cushioning function, which prevents the excavated material in the bucket from falling out. When the hydraulic system operating temperature is low, the cushioning is delayed for approx. 3 to 5 s. This delay is due to the viscosity of the hydraulic oil and is not a malfunction.

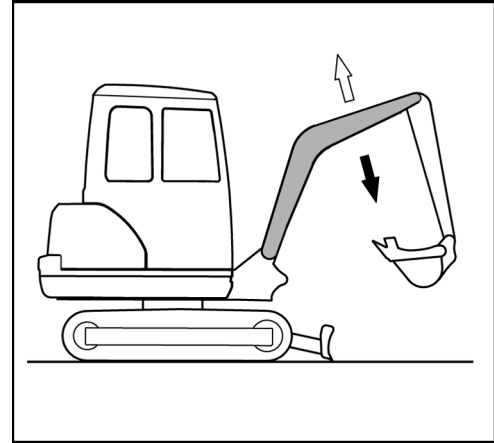
- To lower the boom, push the right control lever forward (figure/↗).





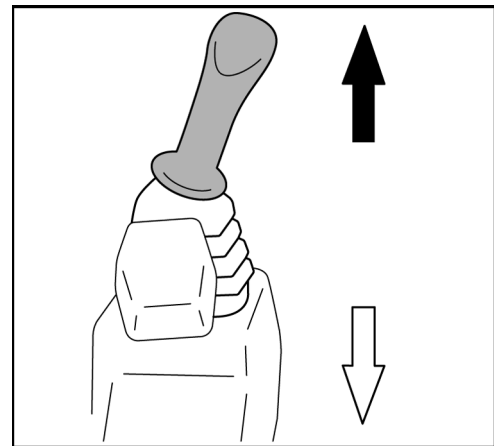
Watch the boom during lowering, so that the boom or the bucket teeth do not hit the dozer.

The boom moves as shown in the figure.

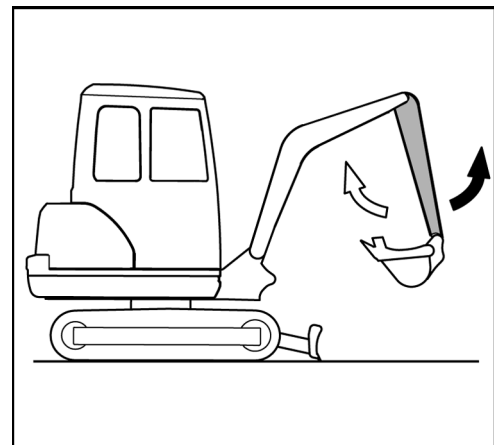


### Operating the arm

- To dump the arm, push the left control lever forward (figure/↑).
- To crowd the arm, pull the left control lever back (figure/↓).



The arm moves as shown in the figure.



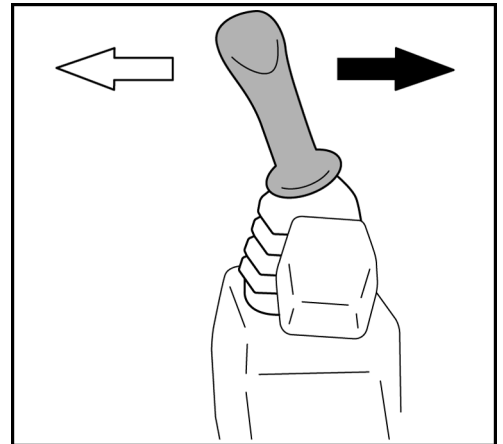
## Operation

### Operating the bucket

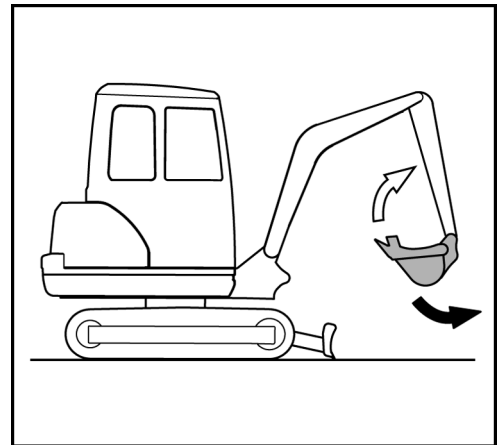
- To crowd (digging) the bucket, move the right control lever to the left (figure/←).
- To dump (empty) the bucket, move the right control lever to the right (figure/→).



*When crowding the bucket, take care that the teeth do not hit the dozer.*



The bucket moves as shown in the figure.



### Swivelling the swivel frame

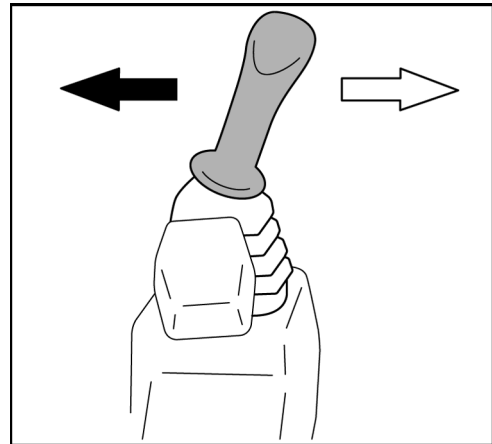


No person is allowed to stand in the swivel area during the movement.

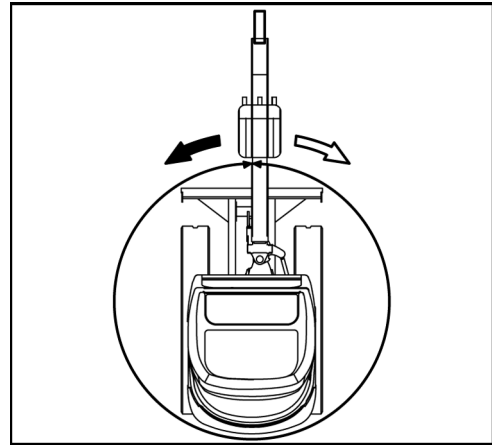


Swivel carefully to avoid any contact of the front attachments with adjacent objects.

- To turn anticlockwise, move the left control lever to the left (figure/←).
- To turn clockwise, move the left control lever to the right (figure/⇒).



The turning operation takes place as shown in the figure.



### Swinging the boom



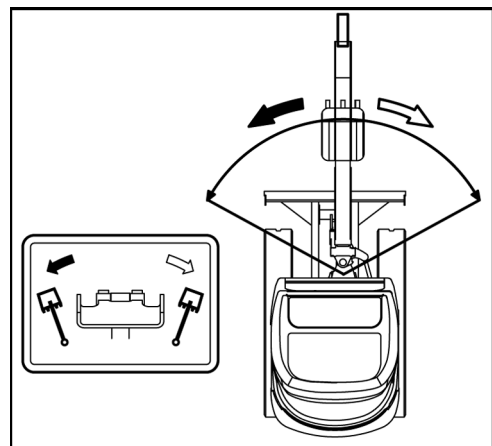
No person is allowed to stand in the swing area during the movement.



Swing carefully to avoid any contact of the front attachments with adjacent objects.

- To swing the boom counter-clockwise, press the boom swing pedal on the left-hand side (figure/←).
- To swing the boom clockwise, press the boom swing pedal on the right-hand side (figure/⇒).

The figure details the swing movement.



The boom swing control pedal can be secured against inadvertent operation by lowering the locking flap. Fold the locking flap when the boom swing pedal is not in use.

## Operating the auxiliary ports

The auxiliary port is used for hydraulic implements, such as a breaker. You can set the flow rate prior to operating the auxiliary port. (Described in the “Flow rate setting” section (page 127))

The machine can be equipped with a single auxiliary port (AP 1) or in combination with two auxiliary ports (AP 1+2). The operation features of the right and left control levers are configured according to the equipment attached.



*Only attachments approved by KUBOTA may be used. The attachments must be operated in accordance with the operating instructions supplied with them.*



*When using a breaker or other attachment for demolition work where material (e.g. asphalt) is removed and can uncontrollably sputter away, personal protective equipment is to be worn at all times (safety shoes, safety helmet, eye protection, ear protection and, if necessary, a breathing mask). The use of a gravel guard (front protective grid) is recommended. For excavation work with a cab, the front window must be closed, in addition.*



*For power rating of the auxiliary ports, see the "Technical data" section (page 46).*



*Make sure that, before carrying out the activities in the auxiliary port connectors, the pressure relief of the hydraulic equipment (page 131) and the auxiliary port connectors (page 131) has been carried out. Depending on the operation setting, the return change valve has to be set to the appropriate position (page 130).*



*The auxiliary ports may only be activated when an implement is attached.*



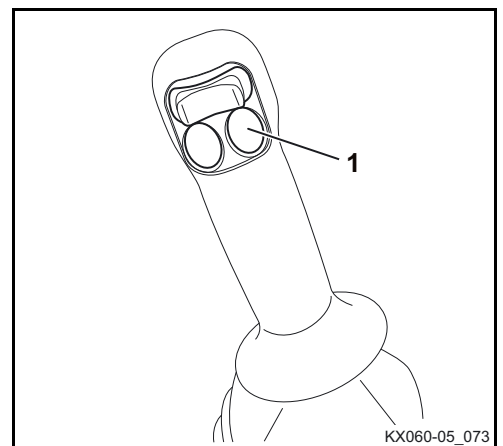
*If the auxiliary ports have not been in use over a long period of time, dirt may have accumulated on the pipe connections. Before installing the attachment, drain approx. 0.1 l of hydraulic oil at each port.*



*Collect the drained hydraulic oil in a container and discard it in accordance with the valid environmental regulations.*

## Activating the auxiliary port function

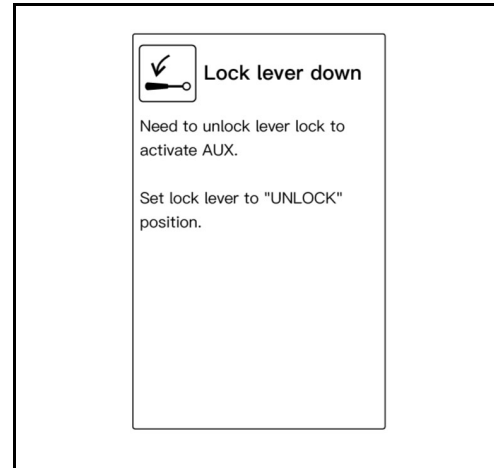
- Turn the starter switch to the RUN position.
- Start the engine (page 96) and idle it until the operating temperature has been reached.
- Lower the control lever lock.
- Press the auxiliary port enable switch (1).





The auxiliary port function is only available when the control lever lock is lowered. If the control lever lock is raised or it is raised during the operation of the auxiliary port, then auxiliary port operation is not possible. The message appears as in the figure on the right.

- Lower the control lever lock and press the auxiliary port enable switch once again.



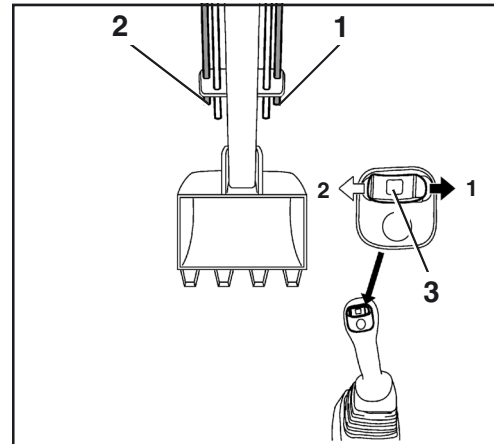
### AUX port 1

The following figure illustrates the auxiliary port 1 and auxiliary port 1 rocker switch (3) connectors.



The proportional control enables you to smoothly control the implement speed. Example: If you move the rocker switch half a turn to the left, the implement moves at half speed.

- Move the auxiliary port 1 rocker switch in direction (➔). The oil will flow towards connector (1) on the right-hand side of the arm.
- Move the auxiliary port 1 rocker switch in direction (↵). The oil will flow towards connector (2) on the left-hand side of the arm.



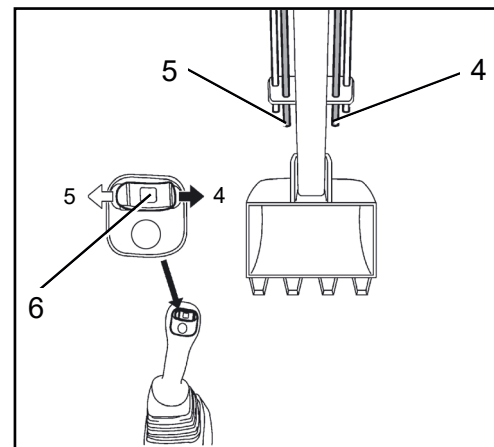
### AUX port 2 (optional)

The following figure illustrates the auxiliary port 2 and auxiliary port 2 rocker switch (6) connectors.



The proportional control enables you to smoothly control the implement speed. Example: If you move the rocker switch half a turn to the left, the implement moves at half speed.

- Move the auxiliary port 2 rocker switch in direction (➔). The oil will flow towards connector (4) on the right-hand side of the arm.
- Move the auxiliary port 2 rocker switch in direction (↵). The oil will flow towards connector (5) on the left-hand side of the arm.

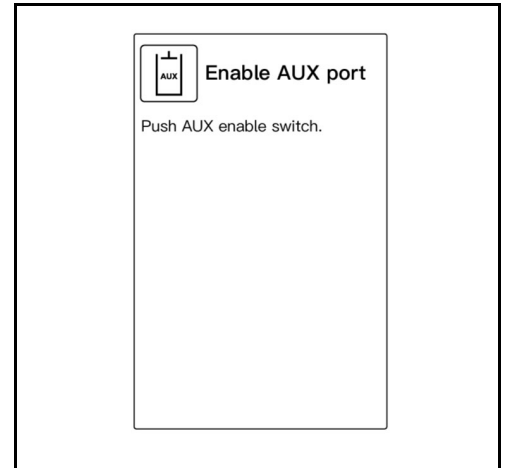




Only when the auxiliary port function is enabled, the rocker switch allows the oil to flow towards the auxiliary port. If this function is disabled, no oil flows towards the auxiliary port.

The message appears as in the figure on the right.

- Press the AUX enable switch first and then handle the rocker switch.



## One-way hold operation



For one way hold operation, the return change valve has to be set to the direct return flow position (page 130).



**The attachment can move in an uncontrolled and sudden manner, there is a danger to life in the working area!**

When using accessories that are not suitable for continuous oil flows (e.g. Powertilt), using the one-way hold switch poses a danger to life!

The auxiliary port cannot be operated proportionally with the one-way hold switch. The flow volume is adjusted to the highest level in the factory.

- Before using the one-way hold switch, check that the accessory is suitable for use with continuous oil flows.
- Before using the one-way hold switch, make sure that nobody is in the working area.
- The flow volume of the auxiliary port must be adapted to the accessory.

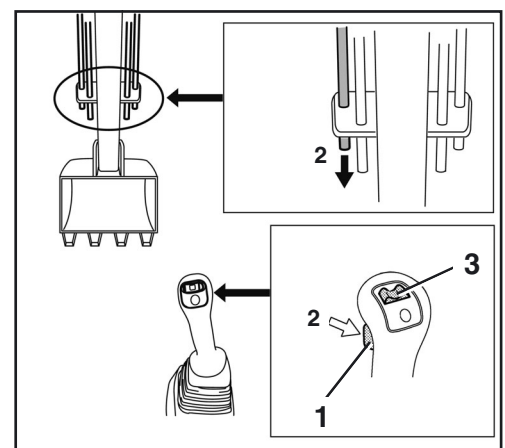
- Activate the operation setting for the "one way flow".

## Switching on

- Briefly push the one way hold switch (1). The oil flows on one side to auxiliary port 1 (2) on the left side of the arm.

## Switching off

- Briefly press the one way hold switch to switch off the oil flow, or
- press the rocker switch for auxiliary port 1 (3) briefly to the right or left to stop the oil flow.



### Operating modes

The auxiliary port connector is preset at the factory, enabling five operating modes to be selected.

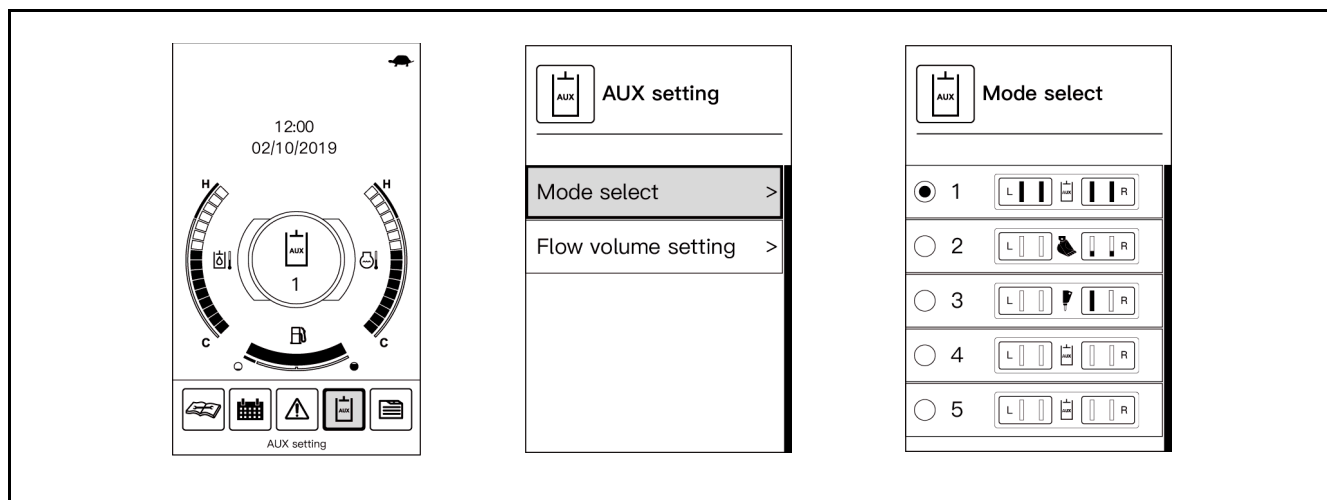
The operating mode can be changed on the “Mode select” screen (page 126).

The icon and flow rate index in the display change accordingly.



*When the starter switch is turned to the RUN position the most-recently used setting is activated.*

### Select the mode of operation



Mode	AUX port 2 (optional)	Icon	AUX port 1
1	Max. flow rate	Auxiliary port (default)	Max. flow rate
2	Not active	Tilt bucket	Limited flow volume
3	Not active	Breaker	Flow in one direction (Oil to connector 2 only)
4	Not active	Auxiliary port (default)	Not active
5	Not active	Auxiliary port (default)	Not active

- Turn the starter switch to the RUN position.
- Press menu switch on dial switch.

The menu bar appears in the display.

- Rotate jog dial to the right until “AUX setting” is selected in the display.
- Press Jog dial (enter switch).

The AUX setting appears in the display. (“Mode select” is selected.)

- Press Jog dial (enter switch).



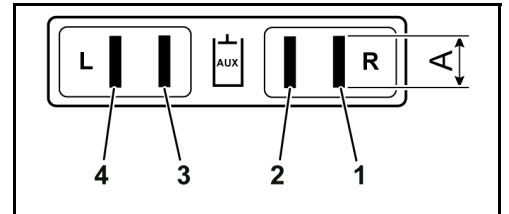
## Operation

The “Mode select” menu appears in the display.

- Rotate jog dial to the right or the left until the desired mode is selected.
- Press jog dial (enter switch) to confirm.

The icon and flow rate index in the display change accordingly.

The flow rate set for auxiliary port 1 is shown on the right of the display, that of auxiliary port 2 on the left. The height of bar "A" shows the flow rate of the respective connectors (1, 2, 3, and 4).



### Flow rate setting

Suppose the same implement has to be attached to a different machine. Even when using identical flow rate settings for the other machine, the working speed may differ. For each machine, you need to individually adjust the flow rate settings. Upon changing the implement, you need to determine and adjust the optimum flow rates for the new implement.



*The flow at auxiliary port 1 is not constant when using a different function or if a relief valve is responding.*



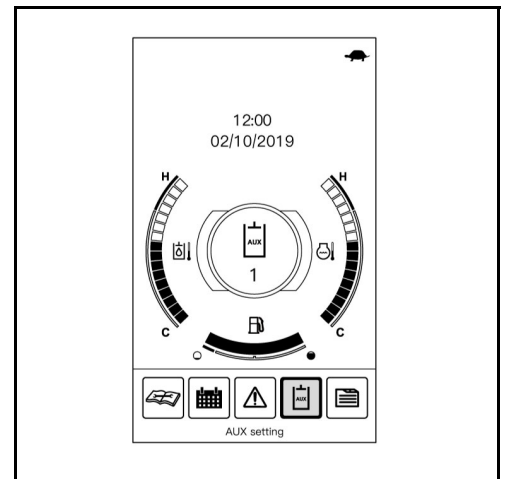
*It is recommended to adjust this setting during the operation of the implement.*

- Turn the starter switch to the RUN position.
- Press menu switch on dial switch.

The menu bar appears in the display.

- Rotate jog dial to the right until “AUX setting” is selected in the display.
- Press Jog dial (enter switch).

The AUX setting appears in the display.

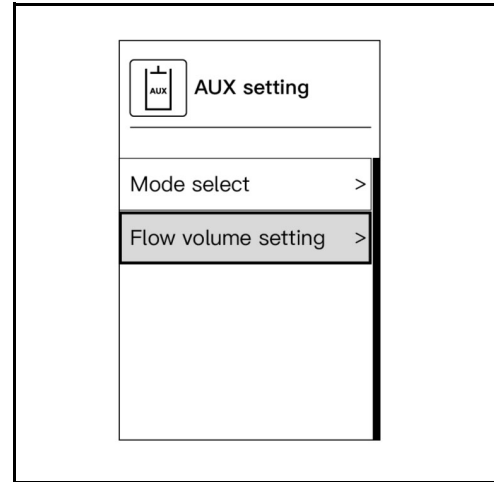


- Rotate jog dial to the right until “Flow volume setting” is selected in the display.
- Press Jog dial (enter switch).

The “Flow volume setting” mode select screen appears in the display.

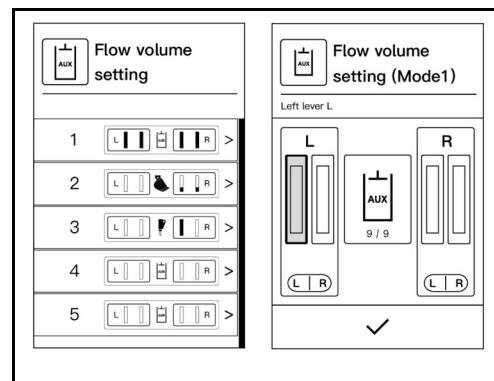
- Rotate jog dial to the right or the left until the desired mode is selected.
- Press Jog dial (enter switch).

The “Flow volume setting” appears in the display.



Settings with symbol:

- Rotate jog dial to the right or the left until the icon is selected.
- Press Jog dial (enter switch).
- Rotate jog dial to the right or the left until the desired icon is selected.
- Press jog dial (enter switch) to confirm.

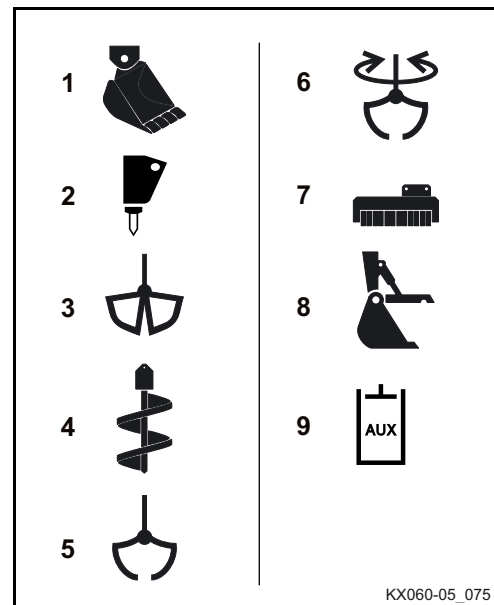


You can select the following symbols:

1. Tilt bucket
2. Breaker
3. Dipper bucket
4. Auger
5. Grapple
6. Rotary grapple
7. Brush cutter
8. Thumb
9. Auxiliary port (default)



*There is no relationship between the icons and the flow control settings. Select icons to suit the images of attachments to be connected.*

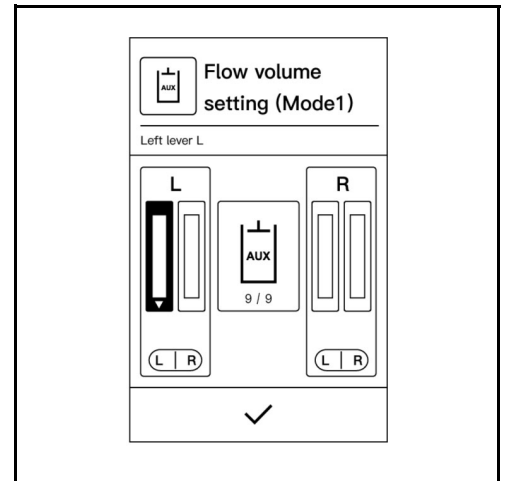


KX060-05\_075

## Operation

The maximum flow rate can be set for each auxiliary port connector.

- Rotate jog dial to the right or the left until the desired bar graph is selected.
- Press Jog dial (enter switch).
- Rotate the jog dial to the right or the left until the bar graph achieves a desired level.
- Press jog dial (enter switch) to confirm.



*It is possible that some implements will not be activated even when the bar graph is not at its lowest level.*

*Even when the bar graphs are at the same height, it is possible that the implements will not operate identically.*

*This does not constitute a failure. In this case, the flow rates must be optimised correspondingly for the implements.*

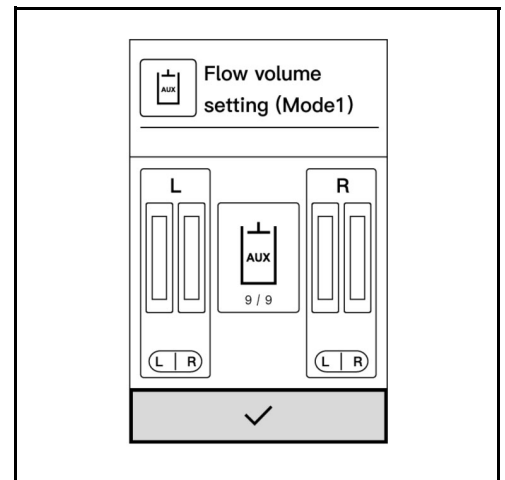
- Rotate jog dial to the right until ✓ (icon of acknowledge) is selected in the display.
- Press jog dial (enter switch) to complete “Flow volume setting”.



*Input can be cancelled at any time.  
Changes are then not saved.*

- To cancel your input, press return switch.

The display returns to its previous display mode.



### Return change valve for direct return flow

According to the mode of operation of a given attachment, the return flow of the hydraulic oil must occur either via the control valve (indirect return flow) or directly to the hydraulic oil tank (direct return flow). The return flow is mechanically switched by the change valve.

The change valve has two settings:



The "direct return flow" switch position is used for hammering attachments, such as a hydraulic hammer.



The "indirect return flow" switch position is used for rotating attachments, such as a rotary gripper, an auger, etc.

### Activating the return change valve

When "direct return flow" (3) is enabled, the return flow is directed from the attachment to the hydraulic oil tank via the return filter. The return flow is directed via the right auxiliary port 1 connector at the arm only.

- Flip the lever on the change valve (1) to the horizontal position (3).

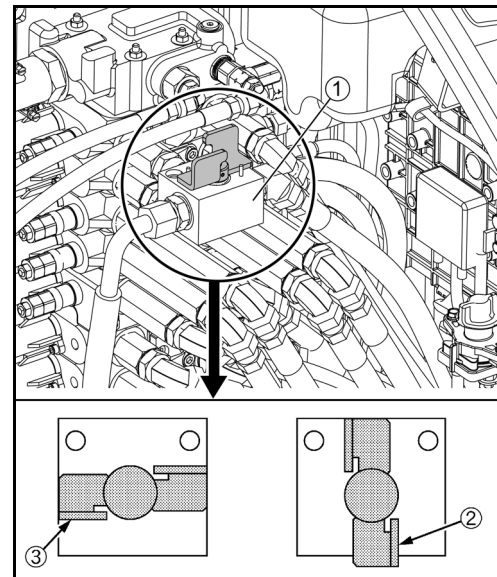
The direct return flow is enabled.

When "indirect return flow" (2) is enabled, the return flow is directed from the attachment to the return filter via the control valve and then to the hydraulic oil tank. In that case, the return flow may use the left or right auxiliary port 1 connector of the arm (depending on the position of the rocker switch for auxiliary port 1).

- Flip the lever on the change valve (1) to the vertical position (2).

The indirect return flow is enabled.

Move the return change valve to the required position as shown in the figure, depending on the action of the implement being used (rotary or breaking).



*If the change valve is in position "direct return flow", although an attachment with indirect return flow has been mounted, the return flow to the hydraulic tank remains open! This can lead to sudden movements or falling down of the attachment, even if the machine has been switched off.*

- *Make sure that the change valve is switched according to the attachment.*

### Depressurising the hydraulic system



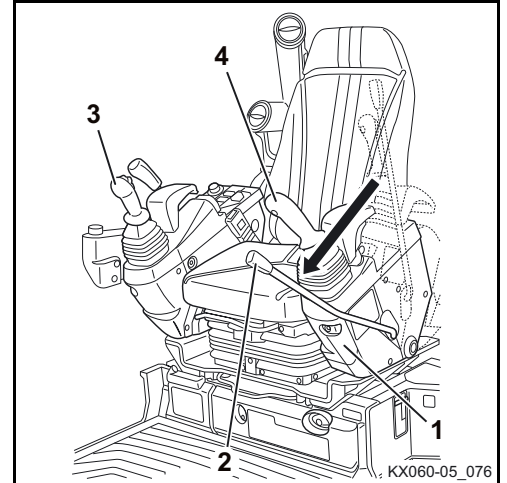
*Perform the pressure relief procedure immediately after stopping the engine!*

- Lower front attachments and dozer completely.
- Turn the starter switch to the STOP position.
- Wait until the engine has come to a standstill.
- Turn the starter switch to the RUN position.



*Do not start the engine!*

- Lower the left control console (1) and make sure that the control lever lock (2) engages.
- Move control levers (3 and 4) several times to limit stop in all directions.



The hydraulic system has been depressurised.

### Depressurising the auxiliary ports



*Perform the pressure relief procedure immediately after stopping the engine!*



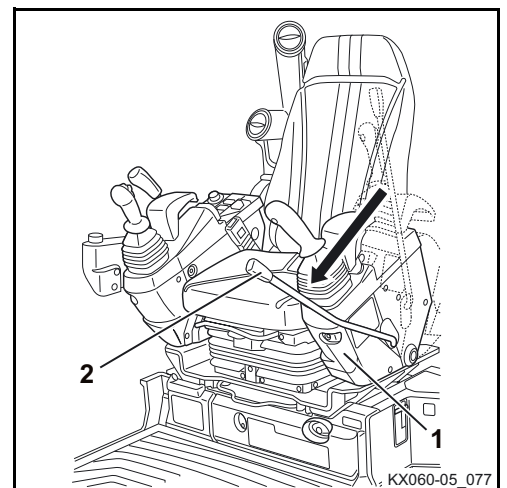
*The machine comes with auxiliary port 1 only or with auxiliary port 2 additionally. The following description illustrates the pressure relief process for both auxiliary ports. According to machine equipment, the corresponding description is to be applied.*

- Lower front attachments and dozer completely.
- Turn the starter switch to the STOP position.
- Wait until the engine has come to a standstill.
- Turn the starter switch to the RUN position.

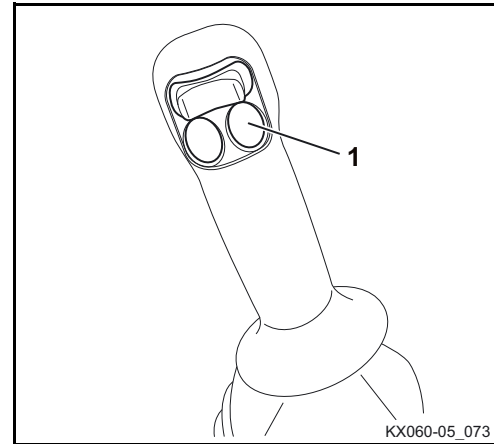


*Do not start the engine!*

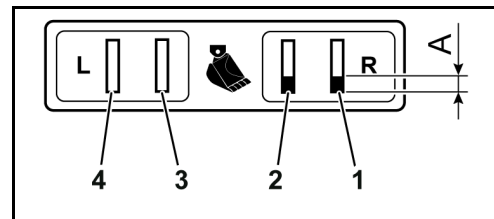
- Lower the left control console (1) and make sure that the control lever lock (2) engages.



- Press the auxiliary port enable switch (1) and turn on the auxiliary port function.



You will see the setting of the flow rates in the display. The bar height "A" shows the flow rate at the respective auxiliary port connectors (1, 2, 3 and 4).



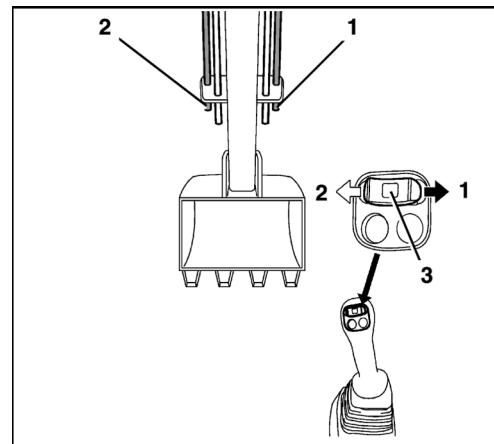
If the bar graph is set to the lowest level (as shown in connector 3, no bar obvious), flow is blocked and there is no oil flow.



*If the flow is blocked, the pressure cannot be relieved completely. The hydraulic couplings at the auxiliary port connectors can jam as a result. Then connection or separation of the hydraulic cables of attachments is not possible. Switch to a different mode, if available (page 126), or increase the flow rate (page 127).*

- Make sure that the flow rates are not set to the lowest level.
- Rocker switch auxiliary port 1 (3) on the right control lever must be pushed over completely to the right and left.

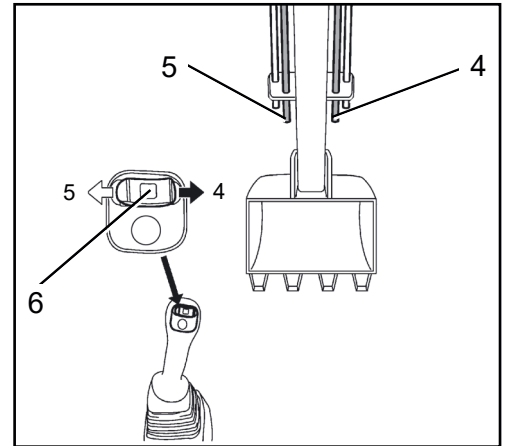
The auxiliary port connectors (1 and 2) are pressure relieved.



## Operation

- Rocker switch auxiliary port 2 (6) on the left control lever must be pushed over completely to the right and left.

The auxiliary port connectors (4 and 5) are pressure relieved.



## Placing out of operation



*Park the machine in such a way that it can not move and is secured against unauthorised use.*

- Drive the machine onto level ground.
- Extend the hydraulic cylinders as follows:
 

Boom:	Half-extended
Arm:	Half-extended
Bucket:	Half-extended
Dozer:	Lowered to the ground
Swing mechanism:	Front attachments lowered centrally to the ground
- Stop the engine (page 99).
- Remove the key.
- Unbuckle the seat belt and lift the left control console.
- Refuel the machine, if necessary (page 147).
- Close and lock all windows.
- Close and lock all covers.
- Close and lock the cab door. The key must remain with the operator.
- Check the machine for external damage and for leaks. Any failures must be repaired before the next start.
- In case of a heavy accumulation of dirt in the area of the tracks and the hinges at the front attachments, clean the machine (page 181).



*Do not park the machine anywhere there are combustible materials such as dried grass and straw.*

### Operating the heating and air-conditioner system (optional)



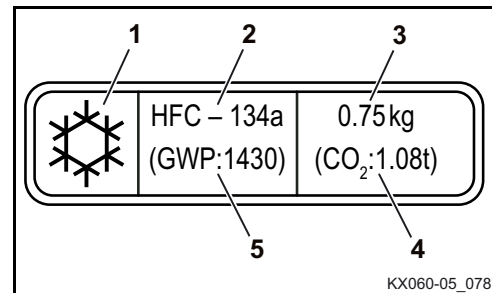
This air conditioner contains fluorinated greenhouse gases (F-gases).

Refrigerant	Amount (kg)	CO <sub>2</sub> -equivalent (t)	Global Warming Potential (GWP*)
HFC-134a	0.75	1.08	1430

\* GWP = Global Warming Potential

Explanation of the information label:

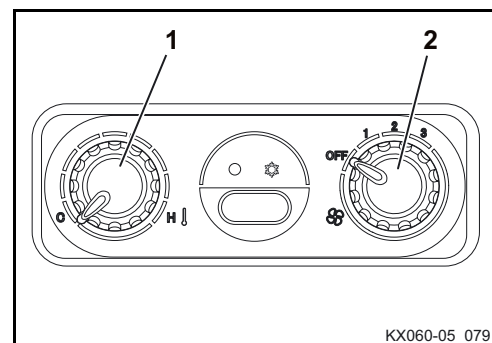
1. Marking that the air conditioner contains F-gas
2. Industrial name of the F-gas that it contains
3. F-gas amount (in kg) in the air conditioner
4. Equivalent mass (in t) of the F-gas carbon dioxide (CO<sub>2</sub>)
5. F-gas global warming potential (GWP)



All the heating and air-conditioner system operations described below must be carried out while the engine is running.

### Heating the cab

- Set the temperature control (1) to the "Warm" position.  
Blue → Cold  
Red → Warm
- Set the blower switch (2) to position 1, 2 or 3.
- Set the air nozzles to the desired position.



To avoid accumulated heat and damage to the ventilation system, do not cover air nozzles with objects (e.g. bags or clothes) when the heater is on.



## Operation

- To heat the cab faster, switch the air intake to the “circulating air” position (A) with lever (1).

No cold outside air will enter and the circulating inside air heats faster.

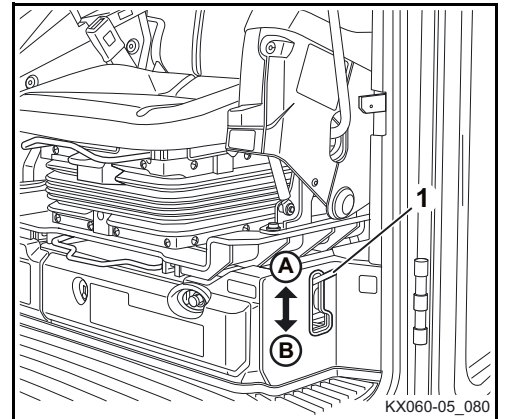
To prevent the windows from steaming up while operating the heater for extended periods of time, the air intake should be switched back to the “fresh air” position (B) after the cab has warmed up.



*In dusty surroundings, the fresh air supply should be switched on in order to increase the air pressure inside the cab. This contributes to the fact that no dust penetrates into the cab.*



*Lasting circulating air mode leads to overtiring of the operator! Circulating air mode for a longer period of time can lead to lack of oxygen and overheating inside the cab. No cool fresh air flows in from the outside. The operator therefore overtires quickly..*

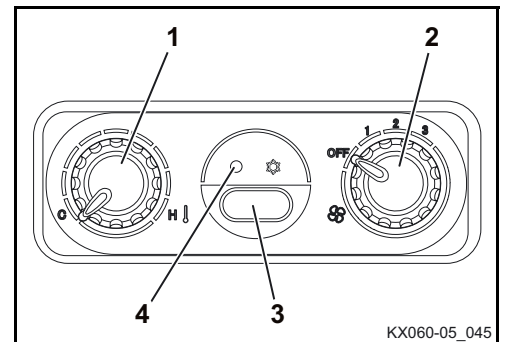


## Cooling the cab

- Set the temperature control (1) to the "Cold" position.  
Blue → Cold  
Red → Warm
- Set the blower switch (2) to position 1, 2 or 3.
- Use the air-conditioner switch (3, optional) to switch the system on. The indicator (4) lights up.
- Set the air nozzles to the desired position.



*Make sure that the cab door is closed while the heating or air-conditioner system is running.*

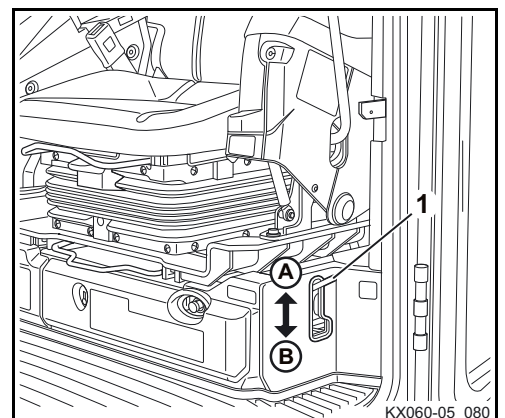


- To cool down the cab faster, switch the air intake to the “circulating air” position (A) with lever (1).

No warm outside air will enter and the circulating inside air cools down faster.



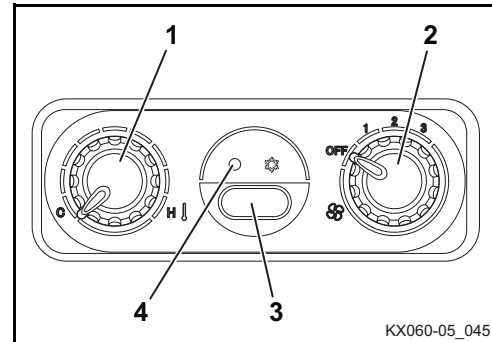
*Lasting circulating air mode leads to overtiring of the operator! A lasting use of the circulating air mode may cause a lack of oxygen inside the cab. No cool fresh air flows in from the outside. The operator therefore overtires quickly..*



### De-icing or demisting the windows

Proceed as follows to de-ice the windows or clean them of condensation:

- Set the temperature control (1) to the "Warm" position.  
Blue → Cold  
Red → Warm
- Set the blower switch (2) to the 3 position.
- Use the air-conditioner switch (3, optional) to switch the system on.



The indicator (4) lights up.



*The air-conditioner will dehumidify the cab air.*



*Make sure that the cab door is closed while the heating or air-conditioner system is running.*

- Direct the air nozzles towards the front window.

After de-icing the windows or cleaning them of condensation, the air conditioner may be turned off.

- Use the air-conditioner switch to switch the system off.

The indicator in the air-conditioner switch stops glowing.

## Operating the wiper/washer system

All cab models are equipped with a wiper/washer system.



**Risk of damage to components!**

When you turn on the wiper while the windscreen is opened, the wiper can hit the adjacent cab components causing damage to the wiper.

- Do not turn on the wiper switch while the windscreen is open.

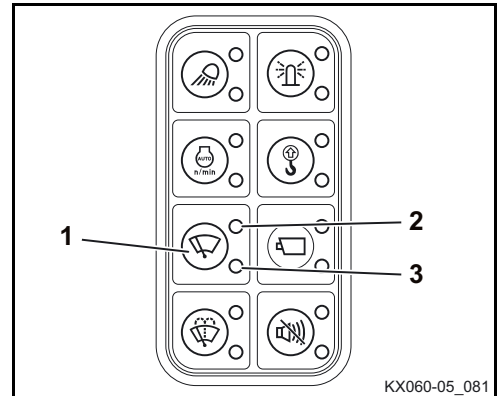
### Switching on the windscreen wiper

- The starter switch is in the RUN position.
- Press the switch (1) to activate the windscreen wiper.

Pressing once: The wiper activates itself intermittently. The upper indicator (2) will light up.

Pressing twice: The wiper activates itself continuously. The lower indicator (3) will light up.

Pressing three times: The wiper stops itself. The indicators (2) and (3) will go out.



In extremely cold weather conditions, make sure the wiper rubber does not stick to the window. This can damage the wiper rubber or the wiper motor.



Only switch on the wiper when the window glass is wet. If necessary, switch on the washer system first.

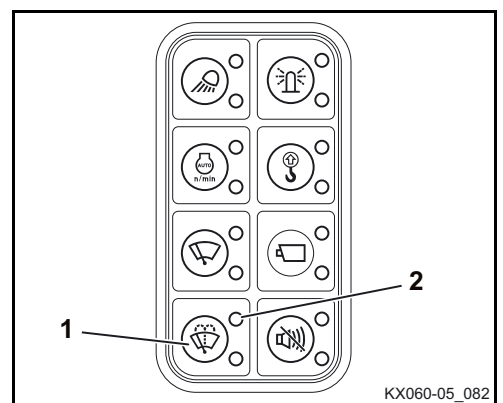
### To turn on the washer system

Press the switch (1) to activate the washer system.

The washer system runs for as long as the switch is held down. The indicator (2) lights up. Hold down the switch longer, and the wiper will get started. Release the switch, and the wiper will swing several times and stop itself.



Do not operate the washer system if its reservoir is empty as running dry could damage the pump.

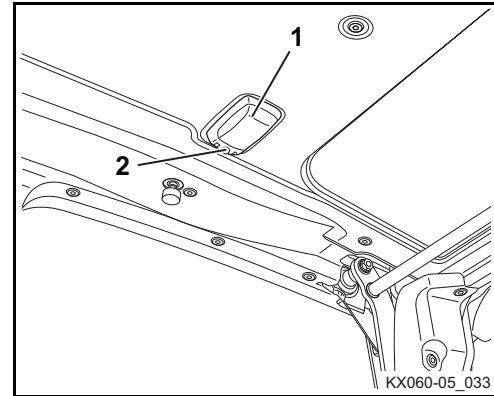


### Operating the room light

- Press the switch (2) to the ON position.

The interior light (1) is illuminated as long as the switch remains in this position.

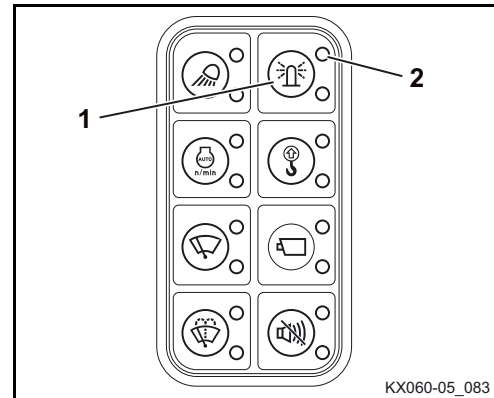
- To switch off, press the switch (2) to the OFF position.



### Operating the rotary beacon (optional)

- The starter switch is in the RUN position.
- Press the switch (1) to turn on the rotary beacon. (the indicator (2) will light up).

Press the switch (1) again to turn off the rotary beacon.

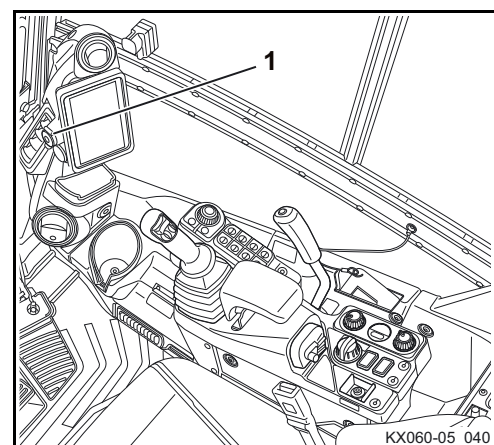


### Operating the 12 V plug

- Open the cover cap (1) and put the load into the 12 V plug.



*The rated current of the connected load must not exceed 10 A.*

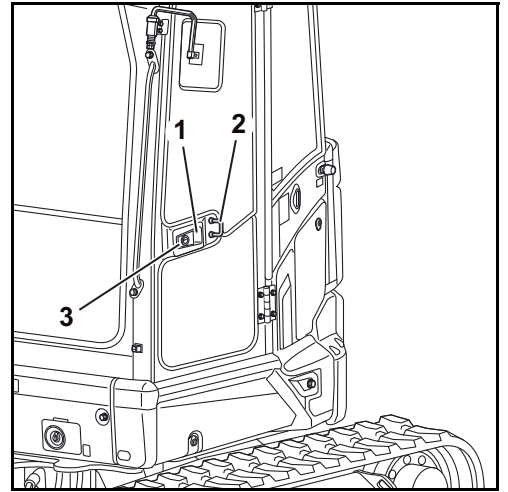


## Operation

### Opening and closing the cab door

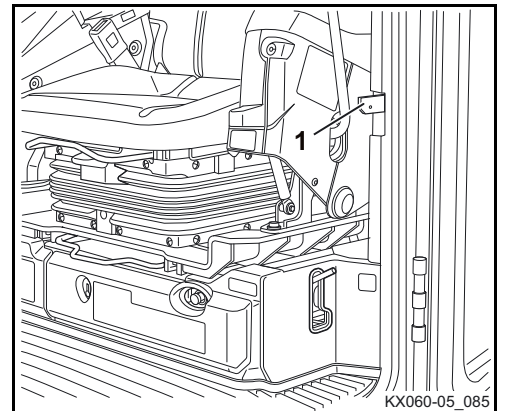
#### Opening the cab door from outside

- Unlock the cab door at the door lock (3).
- Open the cab door by pulling at the door handle (1) and lock the door by attaching the hook (2) at the cab wall.



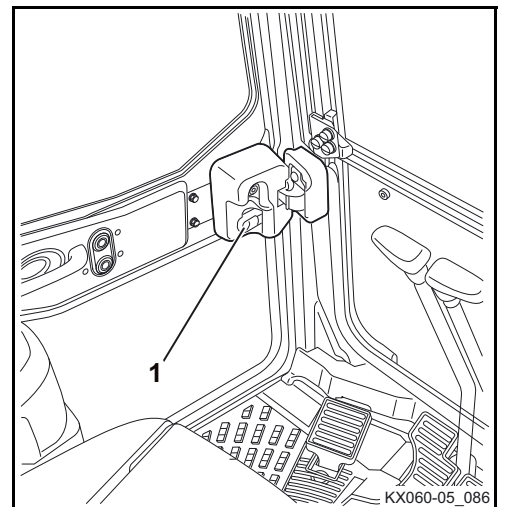
#### Closing the cab door

- Press down the release lever (1) and pull the cab door into the lock.



#### Opening the cab door from the inside

- Press down the release lever (1) and open the door. If the cab door is not closed again right away, lock the door at the cab wall.



### Opening and closing the windows

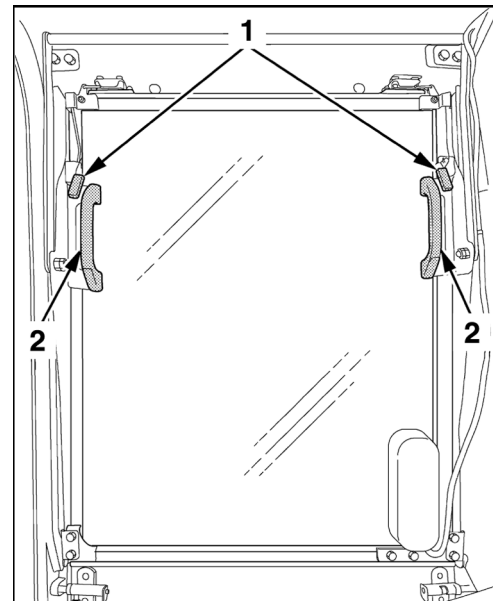
#### Front window



*Always lock the front window. Do not stay in the cab and operate the machine with the front window unlocked. When opening the window, always keep both hands on the grips (2) to prevent injury by pinching or crushing.*



*The front window is opened and closed from the operator's seat.*



#### Open

- Press the right and left lock bars (figure above/1) inwards simultaneously and push the front window upward at both grips (figure above/2) in the guide rails as far as the stopper. Lock the front window at the endpoint. Check that the front window is locked.



*Do not release the handles when raising the window as the front window could suddenly rise in an uncontrolled way and strike the operator's head. Please follow the safety instructions on the side window.*

#### Close

- Press the right and left lock bars (figure above/1) simultaneously and, using both grips (figure above/2), push the front window forward within the guide rails up to the stopper. Lock the front window at the stopper by releasing the lock bars. Check that the front window is locked.

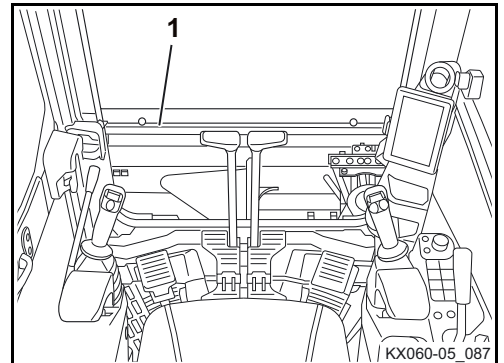
## Front window base

### Removal



*The front window must be opened and the backrest must be folded completely forward.*

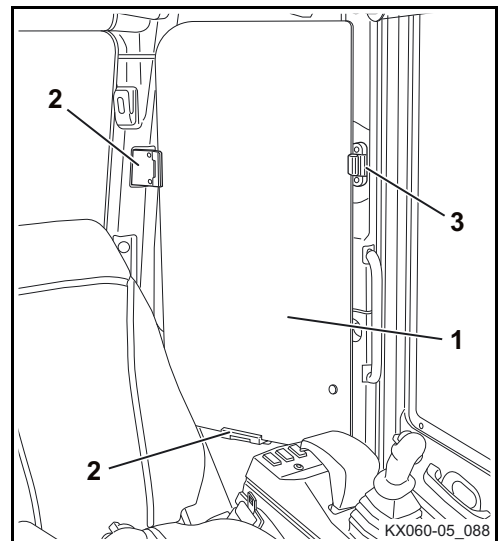
- Lift the front window base (1) upwards to remove it from the window frame.



- Carefully insert the front window base (1) into the fixings (2) at the cab back wall and into the locking mechanism (3) until it snaps.



*Note that the glass pane may fall down - risk of injury!  
If the glass pane is not locked securely, it can fall down and cause severe injuries.  
Make sure that the glass pane is properly engaged in the locking mechanism.*



### Installing

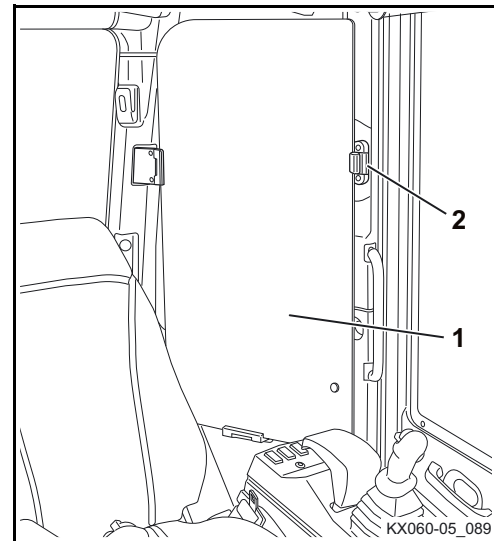


*Check that the front window is opened before installing.*

- Firmly hold the front window base (1) against the cab left wall with one hand.
- Loosen the locking mechanism (2) and carefully remove the front window base from the cab back wall.



*Note that the glass pane may fall down - risk of injury! Running into something can cause the glass pane to fall out of your hands and against your body. Be careful when moving with the glass pane inside the cab.*

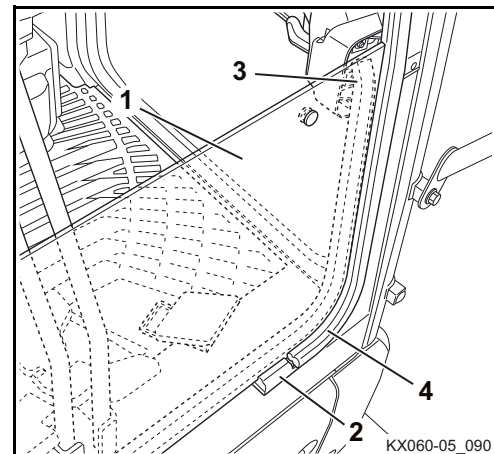


- Carefully slide the front window base (1) from above into the front window frame (3).
- Make sure that the window pane is sliding into position in front of the rubber seal (4).



*Caution, slamming the glass pane violently can damage it! Firmly grasp the glass pane and slide into position with care.*

- Carefully place the front window base on the rubber blocks (2).





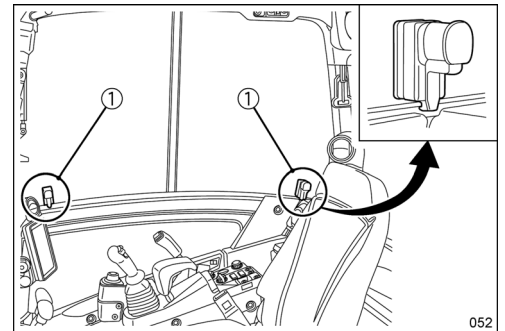
## Operation

### Side window

- Press up the grip (1) to release the lock and pull side window open to the rear or to the front.
- Fit the lock hooks in the window sash grooves. This can get the sliding window locked halfway.



While in operation, preferably get the window locked with either of the grooves.



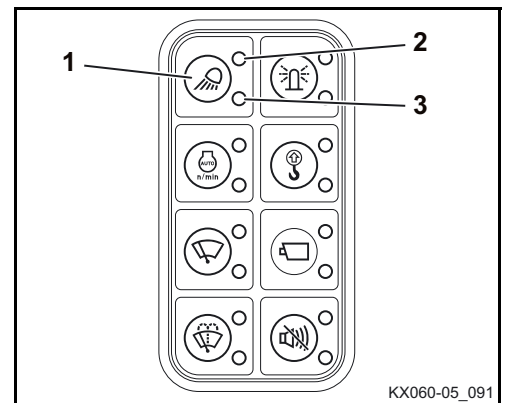
### Operating the working light

- The starter switch is in the RUN position.
- Press the switch (1) to turn on both the working lights and the instrument lighting.

Pressing once: The boom's working light turns on. The upper indicator (2) will light up.

Pressing twice: The boom's and cabin's working lights turn on. The upper indicator (2) and the lower indicator (3) will light up.

Pressing three times: The boom's and cabin's working lights turn off. The indicators (2) and (3) will go out.



*During work on public roads other road users must not be blinded.*

### Cold weather operation

Operating the machine at an ambient temperature below 5 °C is regarded as cold weather operation.

#### Necessary preparations prior to the winter season

- If necessary, replace the engine oil and hydraulic oil with those of the viscosities specified for winter.
- Only use regular diesel fuel with winter additives. Do not mix petrol and diesel fuel.
- Check the battery's state of charge. In case of extremely low temperatures, it may be necessary to remove the battery after work and store it in a heated room.
- Check the antifreeze strength in the cooling system (page 182). If necessary, add antifreeze until the protection ranges from -25 °C to -40 °C.
- Apply talcum powder or silicone oil to all rubber seals at the windows, the cab door and the side window guide rails.
- Lubricate all locks, except the starter switch, with graphite lubricant.
- Grease the cab door hinges.
- Fill the washer system with a antifreeze window cleaner (page 147).

#### Operation during the winter season

- The machine must be cleaned after work is finished (page 181); Special attention must be paid to the crawlers, the front attachments and the piston rods of the hydraulic cylinders. If the machine is cleaned with a water jet, it must then be parked in a dry, frost-free and well-ventilated enclosed space.
- If necessary, park the machine on boards or mats in order to prevent freezing to the ground.
- Before starting, check if the piston rods of the hydraulic cylinders are free of ice to avoid damage. Also check if the crawlers are frozen to the ground. If so, do not take the machine into operation.



*Be careful when getting on and off, the crawler could be slippery.*

- Start the engine (page 96) and let it run at idle speed until the engine has accommodated to the outside temperature. Before you start working with the front attachments, warm up the machine until the operating temperature is reached.

## Jump-starting the machine



*Only a vehicle or starting device with a 12 V power supply may be used.*



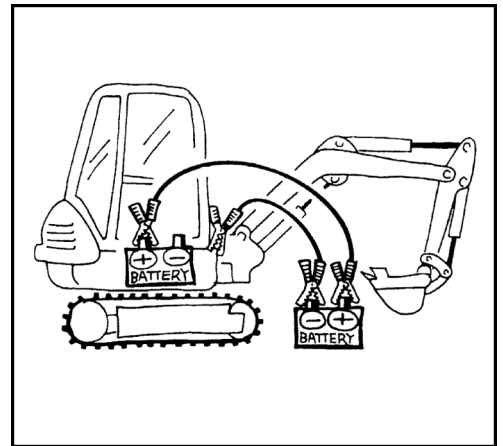
*The operator must remain seated on the operator's place, the battery jumper cables must be connected by a second person.*

- Make the battery accessible, and remove the positive terminal cover.
- Position the other vehicle or starting machine beside the machine.



*Only use cables with an appropriate cross section as jumper cables.*

- Connect the positive terminal of the machine battery with the positive terminal of the helping vehicle (see figure).
- Connect the negative terminal of the helping vehicle to the frame of the machine. Do not use the negative terminal of the machine battery. The connecting point on the frame must be blank and clean.
- Start the helping vehicle and let it run at a higher idle speed.
- Start the engine (page 96) and let it run at idle speed. Check if the charge lamp turns off after starting.
- Disconnect the jumper cable at the frame of the machine first, and then at the negative terminal of the helping vehicle.
- Disconnect the second jumper cable from the positive terminal of the machine battery first, and then from the positive terminal of the helping vehicle.
- Place the positive terminal cover onto the machine battery.
- If the jumper cables will be required for the next start of the machine, check the battery and the alternator's charging circuit, contact skilled personnel, if necessary.



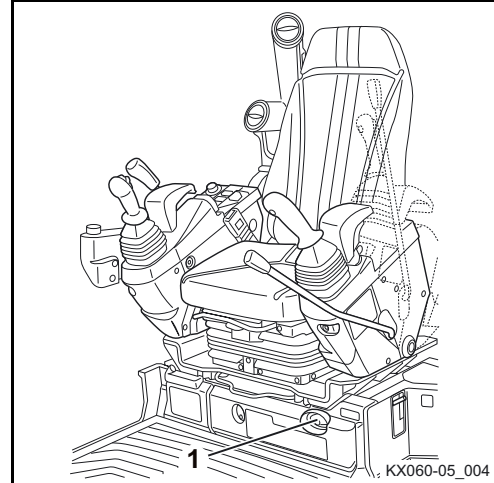
### Operating in emergency situations

In case of emergency, you can switch off the engine and lower the boom manually.

#### Engine emergency stop

If the engine cannot be stopped with the key, it can be stopped manually.

- To stop the engine, pull the knob (1) until the engine stops.
- After the engine has stopped, push in the knob.



*If the engine stop button is activated, a message will appear on the display as shown in the figure on the right.*



*The machine may only be taken back into operation after the malfunction has been eliminated.*



#### Manual lowering of the front attachments

The boom and arm can be lowered in case of an engine failure or if malfunctions occur in the hydraulic system.

- The starter switch is in the RUN position.
- If necessary, lower the boom and the arm with the control levers as described in the "Operating the controls during excavation work" section (page 117).



*Make sure nobody is standing in the lowering area before starting the emergency lowering procedure.*



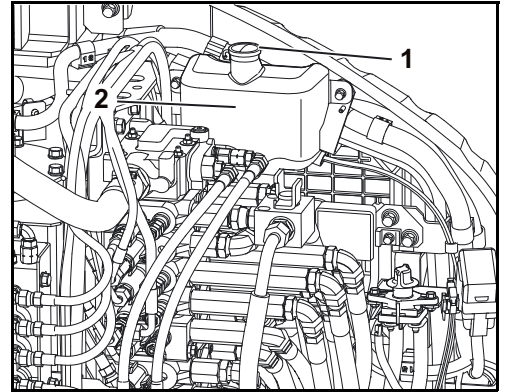
*The lowering function is available only for a short time, as it is controlled by the accumulator in the hydraulic system. The cylinders extend or retract by force of gravity.*

## Filling up the washer system

- Open the cap (1) of the washer system reservoir (2) and add water or a cleaning agent.



*In winter, use a cleaning agent with antifreeze.*



## Refuelling the machine



*When refuelling the machine, smoking, an open flame, or other sources of ignition are not allowed. The danger zone has to be clearly marked with signs. A fire extinguisher must be kept at hand in the danger zone.*



*After refuelling the machine, be sure to tighten the filler cap and close the left service cover.*



*Spilled fuel must be bound immediately with an oil binding agent. The contaminated oil binding agent must be disposed of in accordance with the applicable environmental regulations.*



*If no pumping station is available, the diesel fuel may only be stored in approved canisters.*



*Refuel the machine in time so that the fuel tank is not running empty. Air in the fuel system can damage the fuel injection pump.*



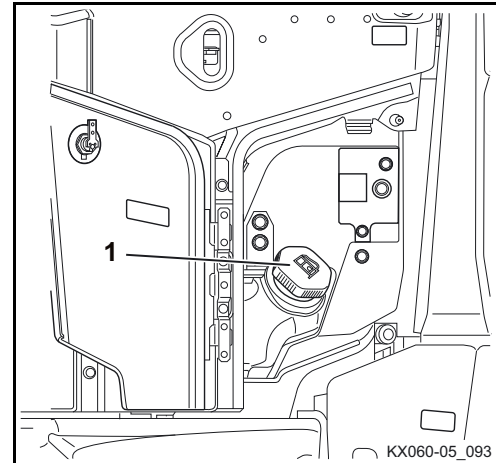
*While refuelling, be careful not to allow dust or dirt into the fuel tank.*



*Always remove spilled fuel immediately.*

### Refuelling the machine

- Stop the engine.
- Open the left service cover (page 156).
- Remove the filler cap (1) by turning it anticlockwise.
- Fill diesel fuel up to the base of the filler neck.
- Screw on the filler cap and close the service cover.



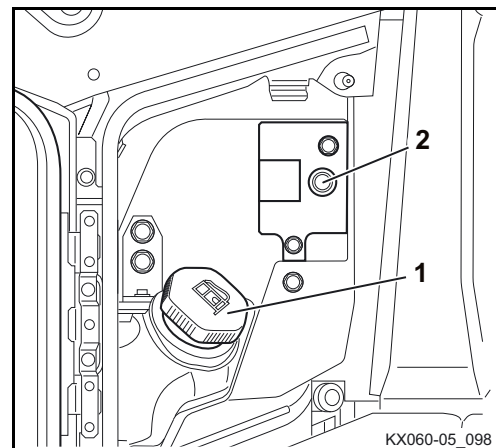
### Fill level monitor when refuelling

The momentary fill level during refuelling can be determined by means of an acoustic signal. For this, the starter switch must be in the STOP position.

The switch (2) for the fill level monitor is located above the tank filter neck (1).

- Ensure that the starter switch is switched to the STOP position.
- Press the switch (2).

The fill level monitor is enabled.



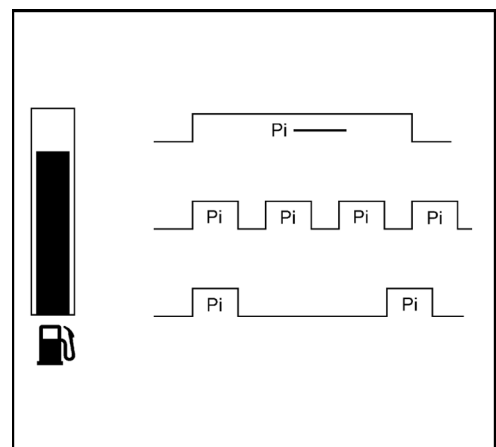
The following signals are output:

Interrupted signal	→ Tank is empty
Periodic signal	→ Tank is being filled
Continuous signal	→ Tank is full



*The signal breaks off completely if the flow rate is too low. As soon as there is enough fuel in the tank, the signal restarts.*

Press switch (2) after refuelling to deactivate fill level monitoring.



### Bleeding the fuel system



*If the fuel tank was run empty or if work was performed on the fuel system, then the fuel system has to be bled.*

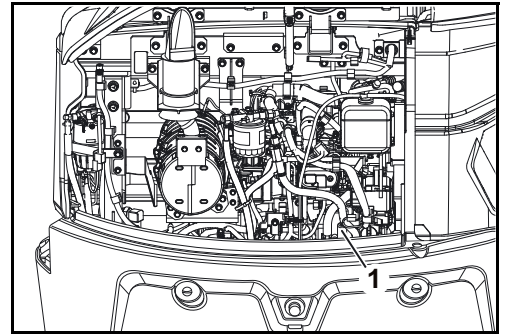
- To bleed the fuel system, move the starter switch to the RUN position.

The electrical fuel pump will bleed the fuel system automatically within approx. 60 s.

- If the bleeding was insufficient, the engine will stop again. In this case repeat the procedure.



*If the bleeding isn't successful, press the engine's priming pump (1) repeatedly (10 to 30 times) until there is a noticeable resistance.*



### Replacing the fuses



*Burnt out fuses may only be replaced with fuses of the same type and same rating.*



*The bypassing of fuses, for example by a wire, is not allowed.*



*If the malfunction can not be remedied by replacing the fuse, or if the fuse blows again when starting, contact skilled personnel.*

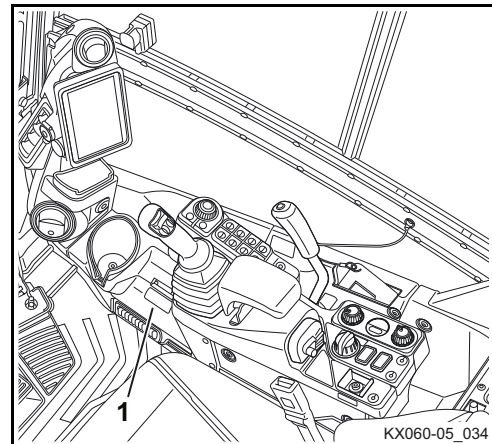


*Before replacing the slow-blow fuse and other fuse, turn the starter key on the "STOP" position, stop the engine and disconnect the negative terminal (-) of the battery. Otherwise a spark or the like may result into a dangerous situation.*



*The main fuses (page 152) of the machine are situated above the battery.*

- Remove the fuse box cover (1).

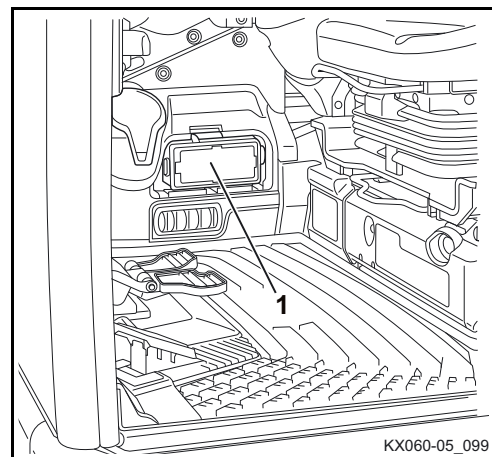


- Remove the burnt out fuse from the fuse box (1) and replace it.



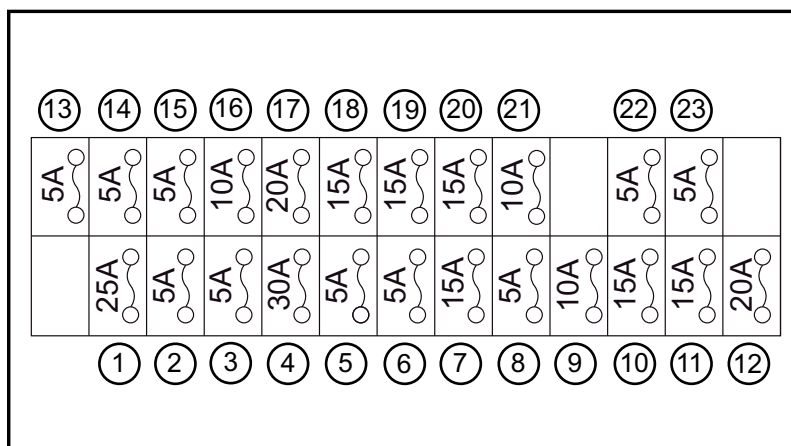
*Observe the following fuse box layout!*

- The fuse layout is shown in the figure below.





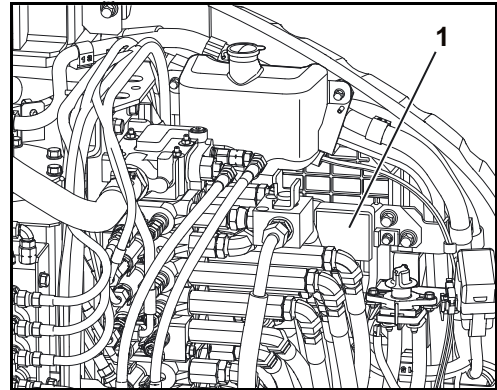
Fuse layout of the fuse box



1	Blower motor	13	ECU Main (AC)
2	A/C Controller	14	Fuel Pump
3	ECU LED (+B)	15	Control lever Lock
4	ECU Main (Power)	16	Alternator
5	Horn Switch	17	Seat
6	Room light	18	12-V electrical outlet
7	Beacon	29	Wiper / Washer
8	K-OBD	20	Radio (AC)
9	Horn	21	Compressor
10	Beacon 2	22	CRS
11	Front Work Light	23	Starter
12	Cab Work Light		

### Main fuses

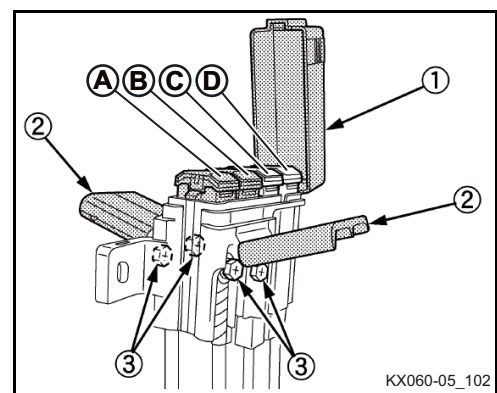
- Disconnect the negative terminal of battery.
- Remove the main fuse box (1).



- Open the main fuse box cap (1) and cover (2) then remove the bolts (3).
- Remove the burnt out main fuse from the main fuse box (1) and replace it.

Fuse layout:

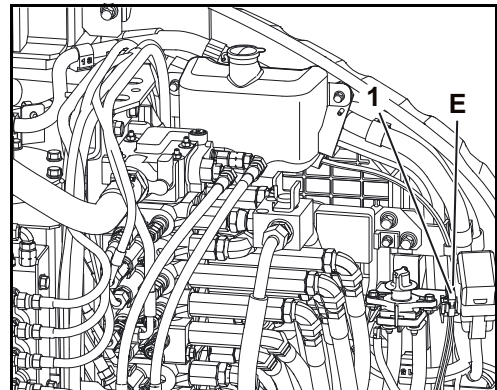
- A → Alternator (80 A)
- C → Main Power (1) (60 A)
- C → Main Power (2) (50 A)
- D → CRS (30 A)



### ECU fuse

- Open the mini fuse box cover (1).
- Remove the fuse (E) and replace it.

E → ECU Main (+B) (10 A)



## Operating the battery isolator

In order for the machine to be operated, the battery cut-off switch (1) must be in the ON position.

A → OFF

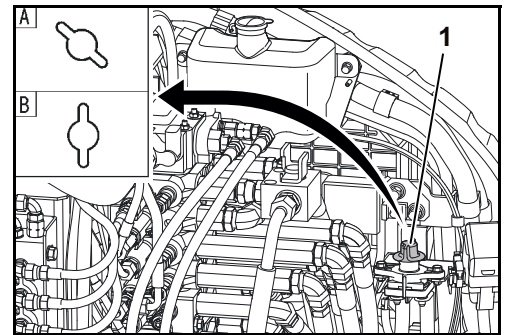
B → ON



*If the battery cut-off switch is in the OFF position, most of the electrically powered functions will also be switched off (e.g. horn, fuel fill level monitor, etc.).*



*The user settings configured on the display will be preserved, the battery discharge is only slight.*



### Opening and closing the engine compartment cover

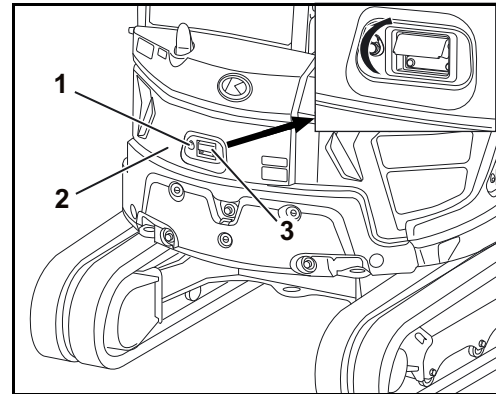


*Risk of injury by the engine compartment cover swinging upwards!*

*Putting up the engine compartment cover is supported by a gas spring. The engine compartment cover can suddenly swing upwards when opening it!*

*Always hold on to the engine compartment cover while opening it and move it upwards slowly.*

- Insert the key into the lock (1) of the engine compartment cover (2), turn it clockwise and push in the lock cylinder.
- Pull the handle (3) to release the lock of the engine compartment cover. Do not add any force to the opening direction of the engine compartment cover.
- Swing the engine compartment cover all the way up using the handle (3).

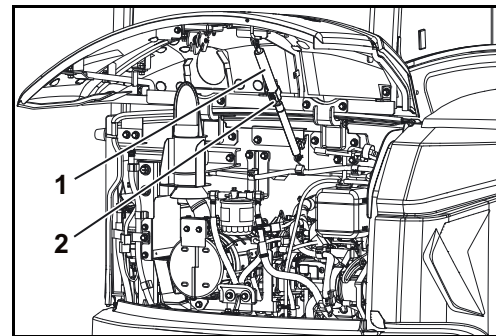


*The engine compartment cover is supported by a gas spring that keeps it up once it is open.*



*Make sure that the stopper (2) is properly engaged at the gas spring (1). If the engine compartment cover is unexpectedly slammed shut, for example by another person or by the wind, serious injury could result.*

- To close the engine compartment cover, release the stopper (2) at the gas spring (1) and carefully swing the engine compartment cover down.
- Close the engine compartment cover and press it into the lock.
- Turn the key anticlockwise to lock the engine compartment cover.
- Remove the key.



*Make sure that the engine compartment cover is correctly closed.*

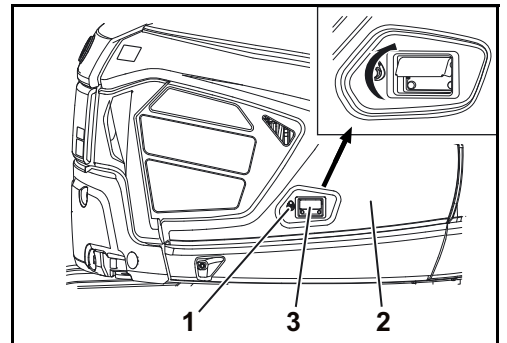
## Opening/closing the right side cover



*Risk of injury by side cover swinging upwards!  
Putting up the side cover is supported by a gas spring.  
The side cover can suddenly swing upwards when opening it!*

*- Always hold on to the side cover while opening it and move it upwards slowly.*

- Insert the key (1) into the lock of the side cover (2), turn it clockwise and then push in the lock cylinder.
- Pull the handle (3) to release the lock of the side cover. Do not add any force to the opening direction of the side cover.
- Swing the side cover all the way up using the handle (3).

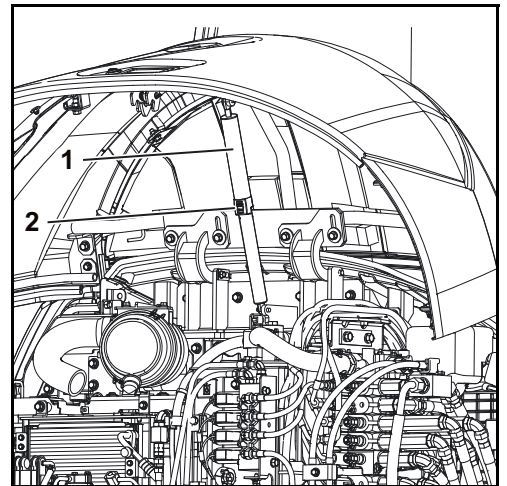


*The side cover is supported by a gas spring that keeps it up once it is open.*



*Make sure that the stopper (2) is properly engaged at the gas spring (1). If the side cover is unexpectedly slammed shut, for example by another person or by the wind, serious injury could result.*

- To close the side cover, release the stopper (2) at the gas spring (1) and carefully swing the side cover down.
- Close the side cover and press it into the lock.
- Turn the key anticlockwise to lock the side cover.
- Remove the key.



*Make sure that the side cover is correctly closed.*

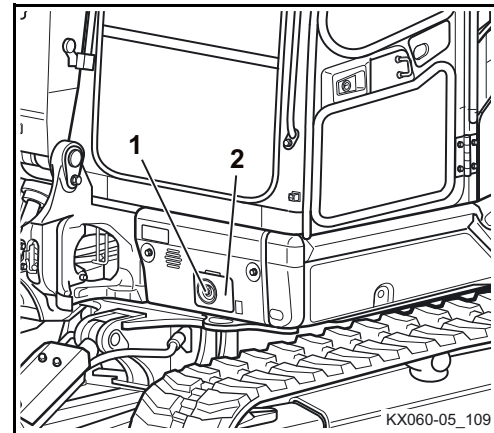
### Opening/closing the front service cover

- Insert the key in the lock (1) of the cover (2) and turn it clockwise.
- Open the cover.



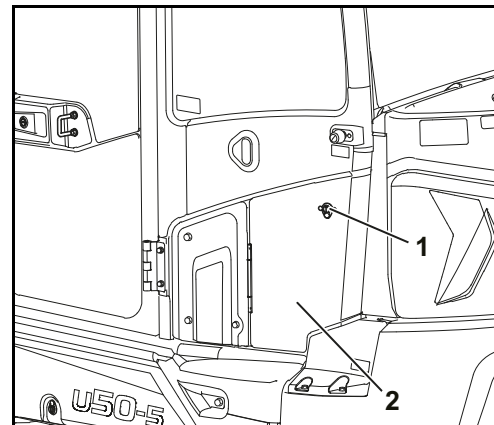
*The cover has no catch! The cover falls off upon release, which can lead to hand injuries during clamping.*

- To lock the cover, close it again and turn the key anticlockwise.
- Pull out the key.



### Opening/closing the left service cover

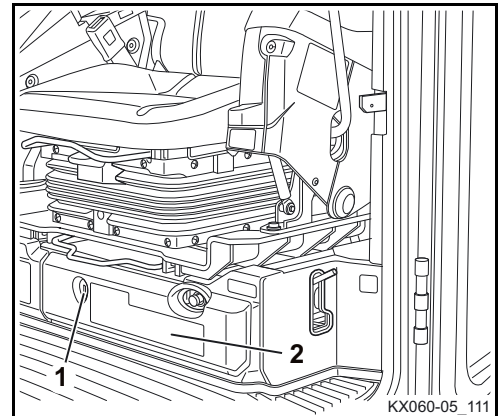
- Insert the key in the lock (1) of the cover (2) and turn it anticlockwise.
- Open the cover.
- To lock the cover, close it again and turn the key clockwise.
- Pull out the key.



### Opening/closing the heating and air conditioner unit service cover

- Insert the key in the lock (1) of the cover (2) and turn it anti-clockwise.
- Open the cover.
- To lock the cover, close it again and turn the key clockwise.

Pull out the key.



### Replacing the bucket



*When replacing the bucket, make sure to wear an eye protection, a helmet and protective gloves.*



*During attaching and detaching, chippings and burrs may occur at the bolts or bushings. These may cause severe injuries.*



*Never use your fingers for the alignment of the components (linkage, bucket, arm). The components may sever your fingers by uncontrolled movements.*

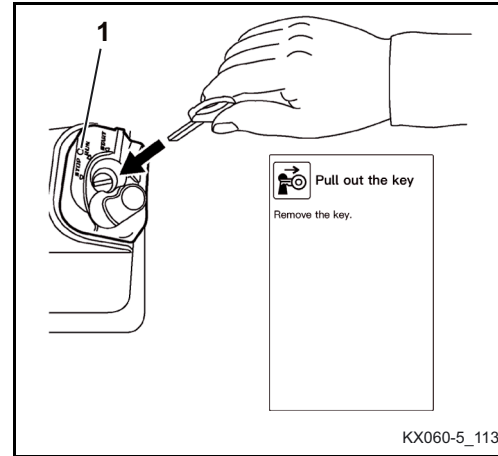
### Anti-theft system

The machine is equipped with an anti-theft system that restricts the engine to be started using a registered key only. If a registered key gets lost or stolen, you can invalidate it. This will prevent the engine from being started with this key, thus protecting the vehicle against theft. The anti-theft system makes it difficult to steal the machine.

If the starter switch is set to STOP, the indicator light (1) is illuminated, indicating the activation of the anti-theft system.

Make sure that the indicator light is illuminated when leaving the machine.

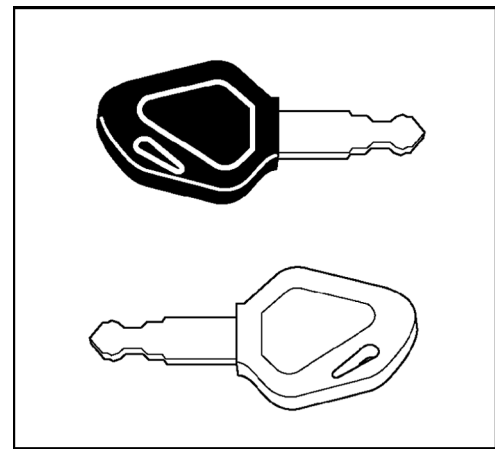
If the starter switch with key inserted is set to STOP when leaving the machine, an acoustic signal will sound as a warning and the message "Pull out the key" is shown in the display.



The vehicle comes with two different types of keys:

#### Black (individual) key

- This key is used to start the engine.
- The engine can be started by inserting the key and turning it to the START position.
- To be able to start the engine with a black key, it must be registered using the red key.



*The engine can be started only with a key that was registered for the particular vehicle. The scope of delivery includes two black keys, among them a spare key. The two black keys have already been registered. Up to four keys can be registered.*

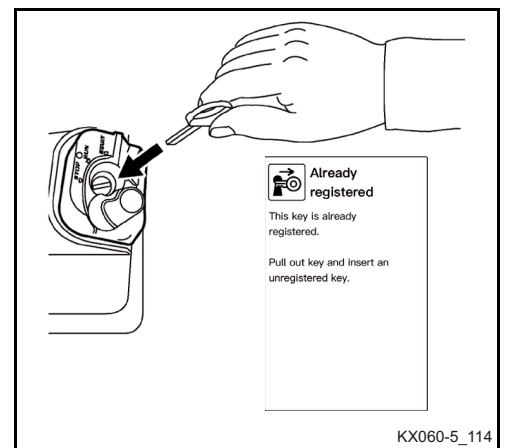
#### Red key (for registering)

- If one of the black keys is lost, another black key can be registered using the red key (page 160).
- The engine can not be started with the red key.

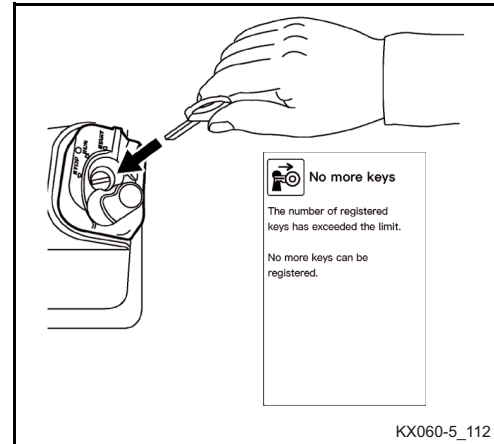


## The key system

- If a registered key is lost, the second and new black key must be re-registered. This procedure locks the lost or stolen black key, which can no longer be used to start the engine.
- If the red key is lost, the black keys can no longer be re-registered. Be sure to keep the red key in a secure location (such as a safe in the office). If it should get lost nevertheless, please contact your authorised dealer immediately.
- If six times attempts are made within one minute to turn the starter switch to the START position with a wrong or unregistered key, an acoustic signal will sound for 30 seconds. The signal will continue to sound even if the starter switch is turned to the STOP position again or the key is removed within this time period. When a key registered for this machine is inserted into the starter switch, the acoustic signal will be turned off.
- Do not use several of these keys in a bunch. This could lead to electrical interfering frequencies which might prevent the motor from starting.
- Use only the special KUBOTA key ring. Other key rings can lead to signal failures between the key and starter switch, and the engine can possibly not start or a key registration cannot be performed.
- After receiving the set of keys, separate them from each other. Always make sure the keys are not part of a bunch. If one of the black keys, for example, is inserted into the starter switch, the red key might be detected by the electronic system. This might lead to a failure of the electronic system.
- If machine malfunctions occur, please contact your KUBOTA dealer immediately in order to have the malfunction localised and remedied.
- Messages in the display can be shown in 11 languages. Your KUBOTA dealer can assist you in your language selection.
- If you erroneously attempt to register a black key that has already been registered, the display will show the "Already registered" message and registration cannot be carried out.



- If you attempt to register a fifth black key, the display will show the "No more keys" message and registration cannot be carried out.



### Registering a black key for the machine



*Register a black key only under the following conditions:*

*Make sure that there are no persons within the machine's working area. It is essential to warn persons in the vicinity of the machine by briefly honking the horn.*

*Make sure that all operational controls are in the neutral position.*

*Starting the machine is only allowed when the operator is sitting on the operator's seat.*

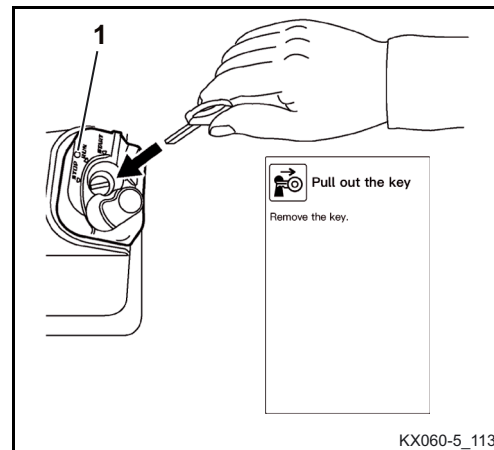
*Do not allow the engine to run indoors, unless the room is equipped with an exhaust gas extraction system or otherwise well ventilated. The exhaust gas contains carbon monoxide, a colourless, odourless, and lethal gas.*

1. Insert red key into the starter switch.



*Do not turn the key at this point. If the key is in the RUN position, turn it back to the STOP position.*

2. Press Jog dial (enter switch).
3. The display shows the "Pull out the key" message.

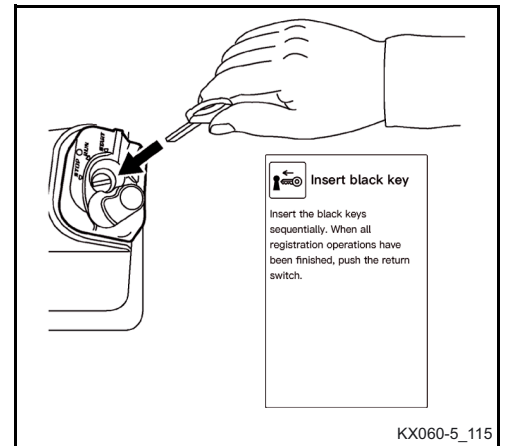


## Operation

4. Pull out the red key.
5. The display shows the "Insert the key" message.
6. Insert black key into the starter switch.



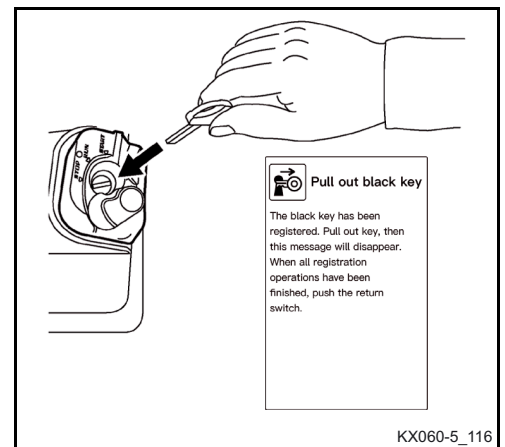
*Do not turn the key at this point. If the key is in the RUN position, turn it back to the STOP position.*



7. After a brief moment, the display shows the "Pull out black key" message. This message indicates that the black key was registered for the given vehicle.
8. Press the return switch on dial switch to complete registration.
9. One after the other, insert all registered black keys into the starter switch and check whether the engine can be started using these keys.



*If a registered black key is lost, the other black keys must be re-registered. This procedure locks the lost or stolen black key, which can no longer be used to start the engine.*





## TROUBLESHOOTING

The troubleshooting section includes only malfunctions and incorrect operations which must be remedied by the operator. Any other malfunctions may only be eliminated by trained personnel. The troubleshooting must be performed with the aid of the troubleshooting table. In order to locate a malfunction, first look in the MALFUNCTION column for the corresponding machine malfunction. In the POSSIBLE CAUSE column you will find the possible causes for the malfunction. The REPAIR column indicates the required remedial measure. If the fault can not be remedied by the measure indicated in the REPAIR column, consult trained personnel.

### Safety rules for troubleshooting

Adhere to the general safety rules (page 13 and the safety rules for operation (page 73).

The operator is not allowed to open the electrical and hydraulic system. These services are reserved for trained personnel.

During troubleshooting, the safety on and around the machine must always be ensured.

If troubleshooting of the machine calls for the bucket being raised, the operator may not stand in the area of the front attachments unless the front attachments are secured against inadvertent lowering by suitable measures.

### Troubleshooting: Before operation

MALFUNCTION	POSSIBLE CAUSE	REPAIR
No function available when the starter switch is turned to the RUN position.	Main fuse at battery is blown out	Replace the main fuse (page 152).
Indicator lights do not come on as expected when the starter switch is turned to the RUN position.	Fuse is blown out	Replace the fuses (page 150).
Starter does not turn when the starter switch is turned to the START position.	Drain battery	Charge the battery (page 206). Jump-starting the machine (page 145).
	Engine emergency stop pulled	Push the engine emergency stop (page 30).
	Control lever lock not raised	Raise the control lever lock.
Engine does not start when the starter switch is turned to the START position, but starter turns.	Air in the fuel system	Check the fuel system for leaks and bleed it (page 148).
	Water in the fuel system	Check the water content of the water separator (page 87), drain if necessary (page 192).
	Fuel is too viscous or dirty	Check fuel tank, remove dirt and water (page 195). Check the water separator for dirt and contamination (page 87), clean if necessary (page 193).
Engine runs sluggishly during winter time.	Oil viscosity is too high	Warm up the radiator, e.g. pour hot water on it.

### Troubleshooting: Operation

MALFUNCTION	POSSIBLE CAUSE	REPAIR
Insufficient engine power	Air filter restricted	Check, clean and replace the air filter (page 190).
	Fuel filter contaminated or water in fuel system	Check the water separator for water content. Drain it (page 87) and renew the fuel filter (page 191), if necessary.
	Fuel shortage	Check the fuel level (page 89). If necessary, refuel the machine (page 147) and ventilate it (page 149).
No pilot-controlled hydraulic functions available.	Fuse in fuse box is blown out	Replace the fuses (page 150).
	Control lever lock is raised	Lower the control lever lock.
Power of hydraulic functions is too low or disruptive.	Hydraulic oil level too low	Check the hydraulic oil level, add hydraulic oil (page 86).
	Suction filter restricted	Change the suction filter in the hydraulic oil tank (page 200).
	Hydraulic hoses or connections are leaking	Must be replaced. Inform your KUBOTA dealer.
Travel speed button does not work.	Fuse in fuse box is blown out	Replace the fuses (page 150).
Heater fan, wiper/washer system, interior light, horn, working light not operating.	Fuse in fuse box is blown out	Replace the fuses (page 150).
Indicator for the AUTO IDLE switch lights up.	Fuse in fuse box is blown out	Replace the fuses (page 150).
Exhaust gas colour very black.	Fuel quality is low	Use fuel as indicated in the "Operating materials" table (page 180).
	Engine oil level is too high	Check engine oil level, drain engine oil until it reaches specified level if necessary (page 189).
	Air filter restricted	Check, clean and replace the air filter (page 190).
The engine stops suddenly.	Fuel shortage	Check the fuel level (page 89). If necessary, refuel the machine (page 147) and ventilate it (page 149).

MALFUNCTION	POSSIBLE CAUSE	REPAIR
Coolant temp. is too high.	Water pump seal is damaged	Must be replaced. Inform your KUBOTA dealer.
	V-belt is damaged or very loose	Replace and/or tension it (page 185).
	Thermo switch is failed	Must be replaced. Inform your KUBOTA dealer.
	Coolant level too low	Refill coolant (page 182).
	Leaky cooling system components	Check the cooling system for leaks, see the "Changing the Coolant" section (page 182).
	Dirty radiator and/or condenser	Clean the radiator and condenser (page 85).
	Cylinder head seal is damaged	Must be replaced. Inform your KUBOTA dealer.
	Engine oil level is too low	Check the engine oil level, add engine oil if necessary (page 189).
	Fuel quality is low	Use fuel as indicated in the "Operating materials" table (page 180).
	Particles of rust from cylinder head or crankcase in coolant	Change coolant (page 182). Add anti-rust additive.
	Radiator cap is damaged	Must be replaced. Inform your KUBOTA dealer.
	Coolant lines corroded	Must be replaced. Inform your KUBOTA dealer.
	Constant operation at full capacity	Reduce load.
	Fuel injection time inaccurate	Must be adjusted. Inform your KUBOTA dealer.
Deviation in driving direction of machine.	Crawler tension adjusted incorrectly	Check and adjust the crawler tension, if necessary (page 210).
	Blocked by stones	Remove the stones.

### Troubleshooting: Display indications











If the machine develops a fault, one of the following messages will appear on the display. In the event of problems, please inform your KUBOTA dealer immediately.



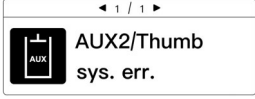

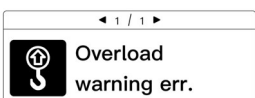
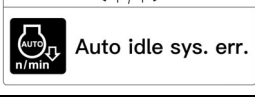
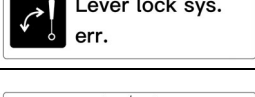
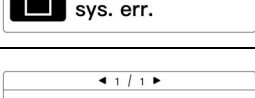


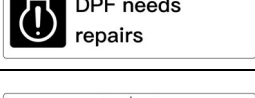

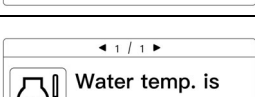

It is essential to take prompt action to rectify any incorrect operation, use or maintenance of the emission control system in accordance with rectification as specified in the solution column.

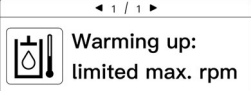
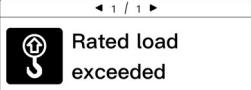
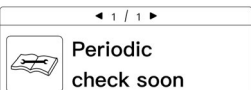
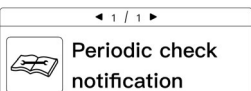
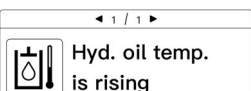



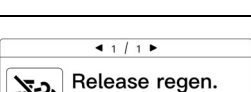
















You can view detailed information by pressing the Jog dial (enter switch). Inform your KUBOTA dealer which messages appeared in the display.

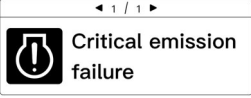
No.	indicator	Problem/Error	Preliminary Measure	Solution
1.	 Engine oil pressure err.	Engine oil pressure is too low. Engine may burn out.	Stop the engine immediately. The engine may have developed a fault.	Inform your KUBOTA dealer immediately.
2.	 Overheat forced idling	Coolant temp. is too high. Engine will automatically reduce engine speed for cooling.	Allow the machine to cool off by idling. Do not switch the engine off as the coolant could then boil over.	Clean the radiator and check the coolant, top up if necessary. Check the hydraulic system for leaks; if necessary, contact your KUBOTA dealer.
3.	 Charging sys. err.	Problem with charging system. The machine will work until the battery dies.	Check the V-belt. When the V-belt is OK, let the engine run until indicator goes out.	If the indicator does not turn off, immediately inform your KUBOTA dealer.
4.	 Fuel sensor err.	Fuel sensor system is in trouble. Fuel level indicator doesn't appear on meter.	-	Inform your KUBOTA dealer immediately.
5.	 CAN sys. err.	Problem with communication (CAN) system. Some meter readings may be erroneous or some switches may malfunction.	The machine can be started and driven. Do not perform any work with the machine.	Inform your KUBOTA dealer immediately.
6.	 Fuel mixed with water	Fuel was mixed with water. There is a risk of serious engine damage.	Immediately drain the water from fuel system after stopping engine. Risk of damage to the engine.	Check and separate water from the fuel filter and clean the water separator. If the indicator lights up again, immediately contact your KUBOTA dealer.
7.	 2-speed sys. err.	Problem with 2-speed system.	The machine will still run at low speed but will not switch to high speed.	Inform your KUBOTA dealer immediately.
8.	 AUX1 sys. err.	Problem with AUX1 system.	If systems other than AUX1 system function, work can be continued.	Inform your KUBOTA dealer immediately.



No.	indicator	Problem/Error	Preliminary Measure	Solution
9.	 AUX2/Thumb sys. err.	Problem with AUX2 / Thumb system.	If systems other than AUX2 / Thumb system function, work can be continued.	Inform your KUBOTA dealer immediately.
10.	 Overvoltage	Charging voltage is too high. There may be a problem with the electric device.	Switch the engine off immediately and check the battery and the alternator. Restart the engine.	If the indicator lights up again after restarting, immediately contact your KUBOTA dealer.
11.	 Overload warning err.	Problem with overload warning system.	If systems other than overload warning system function, work can be continued.	Inform your KUBOTA dealer immediately.
12.	 Auto idle sys. err.	Auto idle system and accelerator have failed.	Accelerator will not function, but other functions are still operational.	Inform your KUBOTA dealer immediately.
13.	 Lever lock sys. err.	Problem with lever lock system.	Engine can run, but machine fails to move.	Inform your KUBOTA dealer immediately.
14.	 Multi-purpose sys. err.	Problem with multi-purpose system.	If systems other than multi-purpose system function, work can be continued.	Inform your KUBOTA dealer immediately.
15.	 External 5V sys. err.	Sensor's 5V power supply has short-circuited.	Majority of systems have failed.	Inform your KUBOTA dealer immediately.
16.	 Overheat forced idling	Hyd. oil temperature is too high. Engine will automatically reduce engine speed for cooling.	Do not stop engine until the hydraulic oil cool down.	Clean the oil cooler and check the hydraulic oil, top up if necessary. Check the hydraulic system for leaks; if necessary, contact your KUBOTA dealer.
17.	 DPF needs repairs	DPF is clogged. DPF must be repaired.	-	Inform your KUBOTA dealer immediately.
18.	 DPF needs replacement	DPF must be replaced.	-	Inform your KUBOTA dealer immediately.
19.	 Feed fuel	Fuel is running out.	-	Refuel the machine.
20.	 Water temp. is rising	Water temperature is rising somewhat higher than specified.	Check the radiator and other components for clogs. Immediately clean them.	-

No.	indicator	Problem/Error	Preliminary Measure	Solution
21.	 Warming up: limited max. rpm	Hyd. oil temp. is too low. Engine is revved up only to the medium rpm for warming-up.	-	-
22.	 Rated load exceeded	Load to be lifted is too heavy.	The overload warning applies only to lifting loads. Deactivate the overload warning during other types of work (e.g. excavating) by pressing the overload warning switch.	Lower load and reduce its weight.
23.	 Periodic check soon	10 hours until periodic check interval.	Operate the machine as usual.	Ask your KUBOTA dealer for relevant parts and use them to replace existing parts.
24.	 Periodic check notification	Periodic check interval has passed.	The machine can be operated but service must be carried out urgently.	Ask your KUBOTA dealer for relevant parts and use them to replace existing parts.
25.	 Hyd. oil temp. is rising	Hyd. oil temp. is rising somewhat higher than specified.	Check the oil cooler and other components for clogs. Immediately clean them.	-
26.	 Regenerating	DPF is regenerating. This is a normal maintenance activity. Exhaust temp. is rising. It is possible to work with careful operation.	-	-
27.	 Raise engine speed	DPF must be regenerated.	-	Raise engine speed and start the particle filter regeneration. If the indicator lights up again, immediately contact your KUBOTA dealer.
28.	 Release regen. inhibition	DPF must be regenerated.	-	Drive the machine to a safe place and release the particle filter regeneration. If the indicator lights up again, immediately contact your KUBOTA dealer.
29.	 Engine output is limited	DPF is regenerating. Engine output is limited to prevent engine problems.	-	Keep raising engine speed and finish DPF regen. process.
30.	 Raise engine speed	DPF must be regenerated immediately. Engine output is limited to prevent engine problems.	-	Raise engine speed and start the particle filter regeneration. If the indicator lights up again, immediately contact your KUBOTA dealer.

No.	indicator	Problem/Error	Preliminary Measure	Solution
31.	 Release regen. inhibition	DPF must be regenerated immediately. Engine output is limited to prevent engine problems.	-	Drive the machine to a safe place and release the particle filter regeneration. If the indicator lights up again, immediately contact your KUBOTA dealer.
32.	 Engine stop for DPF protection	Engine was stopped automatically to protect DPF.	-	After turning off and re-starting engine, rev up engine to start DPF regen.
33.	 Needs setup	Setup is required. Functions may not work.	-	Inform your KUBOTA dealer.
34.	 Stop button is activated	Engine cannot be started.	-	Press the engine stop button before starting engine.
35.	 Wrong key: Unable to start	Key is incorrect. Engine will not start.	-	Start engine with correct key.
36.	 Red key: Unable to start	Cannot start with red key. Engine will not start.	-	Start engine with correct key.
37.	 Hyd. temp. sensor err.	Problem with hyd. oil temp. sensor system.	Meter does not show hyd. oil temp., and overheating cannot be detected.	Inform your KUBOTA dealer immediately.
38.	 DPF cleaning soon	DPF will need cleaning soon.	Operate the machine as usual.	Contact your KUBOTA dealer to clean DPF.
39.	 DPF cleaning required	DPF needs cleaning.	-	Contact your KUBOTA dealer to clean DPF.
40.	 Preheating	Engine is preheating.	-	Wait until this message disappears, and then start engine.
41.	 Fasten seatbelt	There is a risk of serious injury or death.	-	Fasten seatbelt.
42.	 3-way valve sys. err.	Problem with 3-way valve system.	If systems other than 3-way valve system function, work can be continued.	Inform your KUBOTA dealer immediately.
43.	 Engine sys. err.	Malfunctions in the Common Rail System.	-	Inform your KUBOTA dealer immediately.

No.	indicator	Problem/Error	Preliminary Measure	Solution
44.	 <p>Critical emission failure</p>	Malfunctions in the particulate control device (PCD) / NOx control device (NCD).	Engine control is not working properly.	Immediately contact your KUBOTA dealer of the emergency repair.

# MAINTENANCE

The "Maintenance" section includes all care and maintenance tasks to be performed on the machine.

A careful maintenance of the machine will guarantee functional safety and longer service life.

Neglect of the servicing will void the warranty and any liability by KUBOTA.

Only use spare parts that are recommended by the manufacturer. Non-approved spare parts of inferior quality or wrong classification result in an increased risk of accidents. Operators using non-approved spare parts are fully responsible for any damage arising thereof.

## Safety rules for maintenance

- The operator must provide persons who work with or on the machine with suitable personal protective equipment (PPE) and those persons must use that equipment where applicable, for example: suitable working clothes, safety shoes, safety helmets, eye protection, ear protection and breathing masks. The owner/employer bears the main responsibility for the PPE, which is specified by the safety rules for particular types of activity.
- Maintenance, cleaning and care activities may only be carried out if the machine is fully shut down. The machine must be secured against restarting by removing the ignition key.
- The bucket and the dozer must always be lowered to the ground for servicing.
- When failures are detected during servicing or maintenance, the machine may only be operated after the failures have been repaired. Repairs may only be carried out by trained personnel.
- When carrying out maintenance and care activities, always make sure that the machine is secured and stable.
- Before getting under the machine for servicing and inspection reasons, make sure that the attachment control lock lever is locked and that anti-drop safety blocks and/or safety supports are in place.
- When working on the fuel system, smoking, open flames and the operation of other ignition sources are not allowed. The danger zone has to be clearly marked with signs. A fire extinguisher must be kept at hand in the danger zone.
- All waste materials must be discarded in accordance with environmental protection regulations.
- Use the maintenance and care materials listed in the "Operating materials" section (page 180).
- When working on the electrical system, disconnect it from the voltage source before starting the work. The work may only be carried out by technicians with electrical training.
- Always use a ladder or a scaffold if the work cannot be reached by the operator.
- The controls may only be used while the operator is sitting on the operator's seat.

## Personnel requirements

- The operator may only carry out cleaning and care activities.
- The servicing may only be performed by trained personnel.

### Repair work on the machine

Repairs on the machine may only be carried out by trained personnel.

If repairs are carried out on load supporting parts, for example welding on frame parts, the work has to be checked by a qualified person.

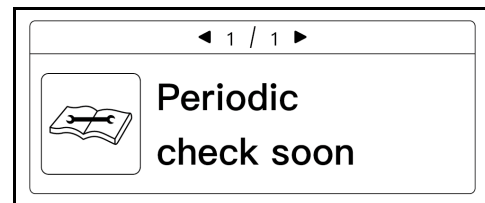
After repairs, the machine should be operated only if it is functioning properly. For this check particular attention must be paid to the repaired parts and the safety devices.

### Maintenance intervals

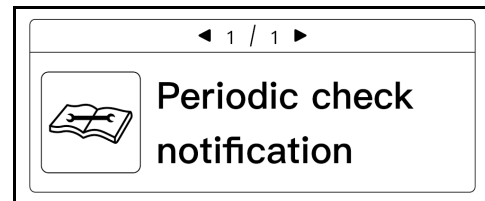
#### Maintenance interval display

10 hours before a certain service interval is due, the respective maintenance interval is already indicated on the display.

The adjacent figure shows the “Periodic check soon” message.



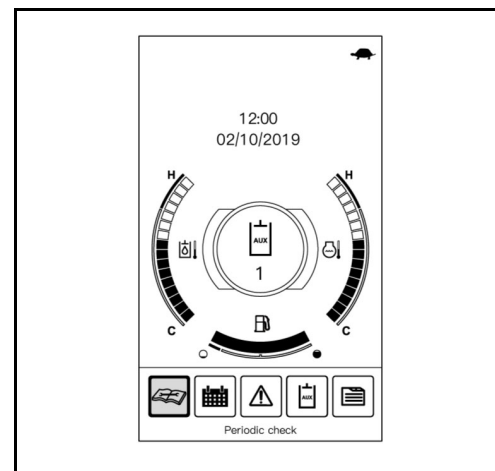
Once the time for a service interval has been reached or exceeded, the “Periodic check notification” message appears on the display.



- Press menu switch on dial switch.

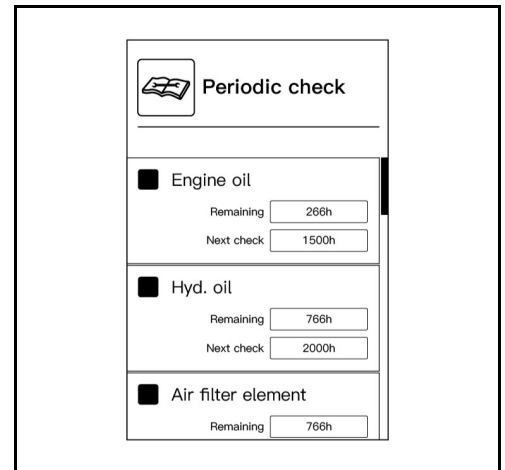
The menu bar appears in the display.

- Rotate the jog dial to the right, until “Periodic check” is selected in the display.
- Press Jog dial (enter switch).



The list of “Periodic check” check points appears in the display .

- To rotate jog dial can be used to scroll up and down through the list of maintenance points.



The maintenance points illustrated in the following table are set in the service period indicator.

No.	Maintenance point	Task	Elapsed hours of operation										Interval
			50	100	250	500	600	750	1000	1500	2000	3000	
1	Engine oil	Change				○			○	○	○	○	500 h
2	Fuel filter	Change				○			○	○	○	○	500 h
3	Engine oil filter	Change				○			○	○	○	○	500 h
4	Breather filter	Change				○			○	○	○	○	500 h
5	Drive unit oil	Change	●			○			○	○	○	○	500 h
6	Hydraulic oil	Change							○		○	○	1000 h
7	Air filter element	Change							○		○	○	1000 h
8	Return Filter	Change							○		○	○	1000 h
9	Suction filter	Change							○		○	○	1000 h
10	Pilot circuit filter	Change							○		○	○	1000 h
11	Oil separator element	Change								○		○	1500 h
12	Oil in idler and track roller	Change									○		2000 h

The maintenance tasks denoted with ● must be carried out once the specified hours of operation after initial commissioning have been reached.



*The machine’s engine features an exhaust purification system. The engine must be operated, used and serviced according to the following provisions in order to maintain the emission performance.*

- Only use the fuel recommended in these operating instructions.
- Only use the engine oil recommended in these operating instructions.
- Service the engine according to the intervals recommended in these operating instructions.
- Replace the engine-related components according to the intervals recommended in these operating instructions.

### General maintenance chart: 50 to 500 hours of operation

#### Operator servicing

Servicing	Tasks	Elapsed hours of operation										Interval	Page
		50	100	150	200	250	300	350	400	450	500		
Walk-around inspection	Check											daily	83
Dust valve	Clean											daily	84
Engine oil level	Check											daily	84
Coolant level	Check											daily	84
Radiator and A/C condenser	Check											daily	85
V-belt	Check											daily	85
Exhaust system leakage	Check											daily	86
Hydraulic oil level	Check											daily	86
Water separator	Check											daily	87
Bucket bolt and linkage bolt	Grease											daily	87
Lubricate the front attachments	Swing bracket											daily	209
	Other greasing points											daily	209
Fuel level	Check											daily	89
Fluid level of the wiper/washer system	Check											daily	147
Electrical instrumentation	Check											daily	88
Fuel tank	Drain	○	○	○	○	○	○	○	○	○	○	50 h	195
Battery	Check	○	○	○	○	○	○	○	○	○	○	50 h	205
Swivel gear	Grease	○	○	○	○	○	○	○	○	○	○	50 h	208
Crawler tension	Check	○	○	○	○	○	○	○	○	○	○	50 h	211
	Adjust	○	○	○	○	○	○	○	○	○	○	50 h	211
Water separator	Clean	○	○	○	○	○	○	○	○	○	○	50 h	193
Swivel ball bearing	Grease				○				○			200 h	208
Interior air filter 1., 2.)	Check			○			○			○		150 h	212
	Check			○			○			○		150 h	212
Air filter 1.)	Check				○			○				200 h	190
	Clean				○			○				200 h	186
Coolant hoses and hose clamps	Check				○			○				200 h	186
Fuel lines and air intake hoses	Check				○			○				200 h	196

- 1.) Under very dusty conditions, the air filter and the interior air filter must be cleaned more frequently or replaced.
- 2.) If you feel a drop in the air-conditioner airflow, replace the interior air filter with a new one, regardless of its replacement intervals.



**General maintenance chart: 550 to 1000 hours of operation**

**Operator servicing**

Servicing	Tasks	Elapsed hours of operation										Interval	Page
		550	600	650	700	750	800	850	900	950	1000		
Walk-around inspection	Check											daily	83
Dust valve	Clean											daily	84
Engine oil level	Check											daily	84
Coolant level	Check											daily	84
Radiator and A/C condenser	Check											daily	85
V-belt	Check											daily	85
Exhaust system leakage	Check											daily	86
Hydraulic oil level	Check											daily	86
Water separator	Check											daily	87
Bucket bolt and linkage bolt	Grease											daily	87
Lubricate the front attachments	Swing bracket											daily	209
	Other greasing points											daily	209
Fuel level	Check											daily	89
Fluid level of the wiper/washer system	Check											daily	147
Electrical instrumentation	Check											daily	88
Fuel tank	Drain	○	○	○	○	○	○	○	○	○	○	50 h	195
Battery	Check	○	○	○	○	○	○	○	○	○	○	50 h	205
Swivel gear	Grease	○	○	○	○	○	○	○	○	○	○	50 h	208
Crawler tension	Check	○	○	○	○	○	○	○	○	○	○	50 h	211
	Adjust	○	○	○	○	○	○	○	○	○	○	50 h	211
Water separator	Clean	○	○	○	○	○	○	○	○	○	○	50 h	193
Swivel ball bearing	Grease		○				○				○	200 h	208
Interior air filter 1., 2.)	Check		○			○			○			150 h	212
	Check		○			○			○			150 h	212
Air filter 1.)	Check		○				○				○	200 h	190
	Clean		○				○				○	200 h	186
Coolant hoses and hose clamps	Check		○				○				○	200 h	186
Fuel lines and air intake hoses	Check		○				○				○	200 h	196

- 1.) Under very dusty conditions, the air filter and the interior air filter must be cleaned more frequently or replaced.
- 2.) If you feel a drop in the air-conditioner airflow, replace the interior air filter with a new one, regardless of its replacement intervals.

### Servicing maintenance chart: 50 to 500 hours of operation

Servicing by skilled personnel or KUBOTA dealer

Servicing	Tasks	Elapsed hours of operation *										Interval	Page
		50	100	150	200	250	300	350	400	450	500		
V-belt	Adjust					○					○	250 h	185
	Change	Please contact your KUBOTA dealer.										500 h	185
Water separator filter	Change										○	500 h	194
Engine oil and oil filter	Change										○	500 h	188
Drive unit oil 2.)	Change	●									○	500 h	212
Fuel filter	Change										○	500 h	191
Tank breather filter	Change										○	500 h	198
Return filter 4.)	Change											1000 h	197
Pilot circuit filter	Change											1000 h	199
Hydraulic oil and suction filter 4.)	Change											1000 h	200
Air filter 1.)	Change											1000 h	190
Interior air filter 1., 6.)	Change											600 h	212
Engine valve clearance	Check	Please contact your KUBOTA dealer.										1000 h	--
Oil separator element	Change	Please contact your KUBOTA dealer.										1500 h	--
EGR cooler	Check	Please contact your KUBOTA dealer.										1500 h	--
Oil in idler and track roller	Change	Please contact your KUBOTA dealer.										2000 h	--
Alternator and starter monitor	Check	Please contact your KUBOTA dealer.										2000 h	--
EGR system	Check	Please contact your KUBOTA dealer.										3000 h	--
Turbo charger	Check	Please contact your KUBOTA dealer.										3000 h	--
Diesel particle filter 5.)	Clean	Please contact your KUBOTA dealer.										6000 h	--
Engine and electrical	Check	Please contact your KUBOTA dealer.										Annually	--
Safety inspection 3.)	Check											Annually	221
Boost sensor and air flow sensor	Check	Please contact your KUBOTA dealer.										Annually	--
Condition of DPF muffler	Check	Please contact your KUBOTA dealer.										Annually	--
DPF differential pressure sensor and tubes for gas leakage	Check	Please contact your KUBOTA dealer.										Annually	--
DPF exhaust gas temperature sensor	Check	Please contact your KUBOTA dealer.										Annually	--
EGR and tubes for gas leakage	Check	Please contact your KUBOTA dealer.										Annually	--
Pipes and hoses of the air conditioner	Check	Please contact your KUBOTA dealer.										Annually	
	Change	Please contact your KUBOTA dealer.										Every 2 years	--
Coolant hoses and hose clamps	Change	Please contact your KUBOTA dealer.										Every 2 years	--
Fuel lines and air intake hoses	Change	Please contact your KUBOTA dealer.										Every 2 years	--
Coolant	Change											Every 2 years	187
Cooling system	Flush	Please contact your KUBOTA dealer.										Every 2 years	--
Oil separator rubber hoses	Change	Please contact your KUBOTA dealer.										Every 2 years	--

Servicing	Tasks	Elapsed hours of operation *										Interval	Page
		50	100	150	200	250	300	350	400	450	500		
DPF differential pressure sensor (front and rear)	Change	Please contact your KUBOTA dealer.										Every 2 years	--
Suction pipe downstream from air flow sensor	Change	Please contact your KUBOTA dealer.										Every 2 years	--
Boost sensor rubber hose	Change	Please contact your KUBOTA dealer.										Every 2 years	--
EGR cooler hose	Change	Please contact your KUBOTA dealer.										Every 2 years	--
Hydraulic hoses	Change	Please contact your KUBOTA dealer.										Every 2 years	--
Coolant content	Check	Please contact your KUBOTA dealer.										Maintenance on demand	215

\* The servicing identified with ● must be carried after the specified hours of operation after initial operation have been reached.

- 1.) Under very dusty conditions, the air filter and the interior air filter must be cleaned more frequently or replaced.
- 2.) Earlier if necessary.
- 3.) At least annually.
- 4.) When using a breaker over 20 % → every 800 h.  
 When using a breaker over 40 % → every 400 h.  
 When using a breaker over 60 % → every 300 h.  
 When using a breaker over 80 % → every 200 h.
- 5.) The machine features a warning system for the DPF cleaning.  
 The diesel particle filter should be cleaned in the event of a warning or every 6000 operating hours.
- 6.) If you feel a drop in the air-conditioner airflow, replace the interior air filter with a new one, regardless of its replacement intervals.

### Servicing maintenance chart: 550 to 1000 hours of operation

Servicing by skilled personnel or KUBOTA dealer

Servicing	Tasks	Elapsed hours of operation *										Interval	Page
		550	600	650	700	750	800	850	900	950	1000		
V-belt	Adjust					○					○	250 h	185
	Change	Please contact your KUBOTA dealer.										500 h	185
Water separator filter	Change										○	500 h	194
Engine oil and oil filter	Change											500 h	188
Drive unit oil 2.)	Change										○	500 h	212
Fuel filter	Change										○	500 h	191
Tank breather filter	Change										○	500 h	198
Return filter 4.)	Change										○	1000 h	197
Pilot circuit filter	Change										○	1000 h	199
Hydraulic oil and suction filter 4.)	Change										○	1000 h	200
Air filter 1.)	Change										○	1000 h	190
Interior air filter 1., 6.)	Change		○									600 h	212
Engine valve clearance	Check- ing	Please contact your KUBOTA dealer.										1000 h	--
Oil separator element	Change	Please contact your KUBOTA dealer.										1500 h	--
EGR cooler	Check	Please contact your KUBOTA dealer.										1500 h	--
Oil in idler and track roller	Change	Please contact your KUBOTA dealer.										2000 h	--
Alternator and starter monitor	Check	Please contact your KUBOTA dealer.										2000 h	--
EGR system	Check	Please contact your KUBOTA dealer.										3000 h	--
Turbo charger	Check	Please contact your KUBOTA dealer.										3000 h	--
Diesel particle filter 5.)	Clean	Please contact your KUBOTA dealer.										6000 h	--
Engine and electrical	Check	Please contact your KUBOTA dealer.										Annually	--
Safety inspection 3.)	Check											Annually	221
Boost sensor and air flow sensor	Check	Please contact your KUBOTA dealer.										Annually	--
Condition of DPF muffler	Check	Please contact your KUBOTA dealer.										Annually	--
DPF differential pressure sensor and tubes for gas leakage	Check	Please contact your KUBOTA dealer.										Annually	--
DPF exhaust gas temperature sensor	Check	Please contact your KUBOTA dealer.										Annually	--
EGR and tubes for gas leakage	Check	Please contact your KUBOTA dealer.										Annually	--
Pipes and hoses of the air conditioner	Check	Please contact your KUBOTA dealer.										Annually	
	Change	Please contact your KUBOTA dealer.										Every 2 years	--
Coolant hoses and hose clamps	Change	Please contact your KUBOTA dealer.										Every 2 years	--
Fuel lines and air intake hoses	Change	Please contact your KUBOTA dealer.										Every 2 years	--
Coolant	Change											Every 2 years	187
Cooling system	Flush	Please contact your KUBOTA dealer.										Every 2 years	--
Oil separator rubber hoses	Change	Please contact your KUBOTA dealer.										Every 2 years	--

Servicing	Tasks	Elapsed hours of operation *										Interval	Page
		550	600	650	700	750	800	850	900	950	1000		
DPF differential pressure sensor (front and rear)	Change	Please contact your KUBOTA dealer.										Every 2 years	--
Suction pipe downstream from air flow sensor	Change	Please contact your KUBOTA dealer.										Every 2 years	--
Boost sensor rubber hose	Change	Please contact your KUBOTA dealer.										Every 2 years	--
EGR cooler hose	Change	Please contact your KUBOTA dealer.										Every 2 years	--
Hydraulic hoses	Change	Please contact your KUBOTA dealer.										Every 2 years	--
Coolant content	Check	Please contact your KUBOTA dealer.										Maintenance on demand	215

\* The servicing identified with ● must be carried after the specified hours of operation after initial operation have been reached.

- 1.) Under very dusty conditions, the air filter and the interior air filter must be cleaned more frequently or replaced.
- 2.) Earlier if necessary.
- 3.) At least annually.
- 4.) When using a breaker over 20 % → every 800 h.  
 When using a breaker over 40 % → every 400 h.  
 When using a breaker over 60 % → every 300 h.  
 When using a breaker over 80 % → every 200 h.
- 5.) The machine features a warning system for the DPF cleaning.  
 The diesel particle filter should be cleaned in the event of a warning or every 6000 operating hours.
- 6.) If you feel a drop in the air-conditioner airflow, replace the interior air filter with a new one, regardless of its replacement intervals.

### Operating materials

		Ambient temperature conditions	Recommendation		Filled at the factory		Note
			Viscosity	Quality standard	Brand	Type	
Engine oil	Engine	above 25 °C (77 °F)	SAE 30 SAE 10W-30 SAE 15W-40	API CJ-4 API CK-4	JXTG	JASO DH2 SAE 10W-30	Do not mix with other oils.
		0 °C to 25 °C (32 °F to 77 °F)	SAE 20 SAE 10W-30 SAE 15W-40				
		below 0 °C (32 °F)	SAE 10W SAE 10W-30 SAE 15W-40				
	Front idler		SAE 30	API CD	-	API CD SAE 30	Do not mix with other oils.
	Truck roller		ISO VG 220	-	-	ISO VG 220	Do not mix with other oils.
Coolant			-	SAE J1034 MB 325.0 ASTM D3306 ASTM D4985	KUBOTA	LLC-N-50F Mixing ratio 50 %	Always use distilled water to mix with antifreeze. Always follow the recommendations of the coolant manufacturer for the mixing ratio. Do not mix with other coolants.
Grease	Bolts, bushings, gears		NLGI-2	DIN 51825 KP2K-30	COSMO	Dynamax EP2	JCMAS GK verified NLGI-2 grease can also be used.*
					IDEMITSU	Daphne Grease MP No.2	
Hydraulic oil	In winter and/or at low temperatures		ISO VG 32 ISO VG 46		SHELL	Tellus S2M46 ISO VG 46	JCMAS HK verified oil can also be used.* Do not mix with other oils.
	In summer and/or at high ambient temperatures		ISO VG 46 ISO VG 68				
Biodegradable Hydraulic oil (Option)			ISO 15380	Panolin	HLP SYNTH 46		Less than 2 % mineral oil remains in the system as per ISO 15380.
Gear oil	Drive unit		SAE 90	API GL-4	-	API GL-4 SAE 90	Do not mix with other oils.
Fuel**			-	EN 590	-	-	The fuel filled at the factory is not winter diesel. For preparing the machine for use in winter, fill the fuel tank with winter diesel and allow the engine to run for a few minutes.
Refrigerant			-	HFC-134a (R134a)	-	HFC-134a (R134a)	-

\* Further information can be found on Japan Lubricating Oil Society's website (JALOS).

\*\* A fuel with sulphur content not greater than 10 mg/kg (20 mg/kg at point of final distribution) a cetane number not less than 45 and a fatty acid methyl ester (FAME) content not greater than 7 % volume per volume (v/v) shall be used.

### Cleaning the machine



*Before cleaning, shut down the engine and secure it against starting.*



*If a steam cleaner is used for cleaning the machine, do not direct the steam jet at electric components.*



*Do not direct a water jet into the intake opening of the air filter.*



*Do not clean the machine with inflammable liquids.*



*The machine may only be washed at suitable places (using oil and grease separators).*

The machine can be cleaned with water and a commercial cleaning agent. Make sure no water gets into the electrical system.

Use a plastic cleaner for plastic parts.

Before cleaning, make sure to tape the air inlet for the air-conditioner and heater system at the swivel frame.

### Servicing

Adhere to the instructions for regular servicing to keep the machine in good condition.

#### Coolant - refill



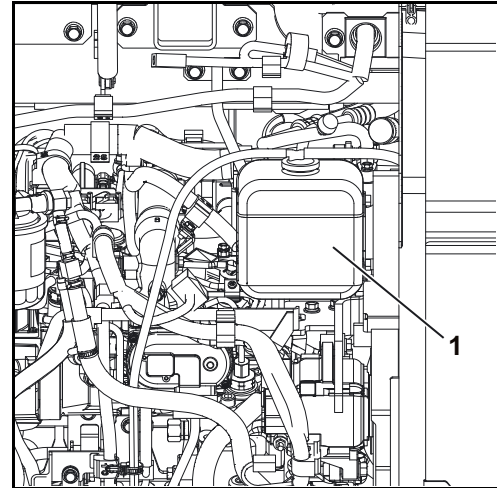
*Do not mix coolant from different brands!*

- Open the engine compartment cover (page 154).
- Check the antifreeze content with an antifreeze tester that is qualified for -25 °C.



*The antifreeze portion of the coolant should not exceed 50 %.*

- Open the coolant expansion reservoir cap when the engine is cool and fill pre-mixed coolant up to the FULL mark (1).
- Close the expansion tank cover.
- Close the engine compartment cover.

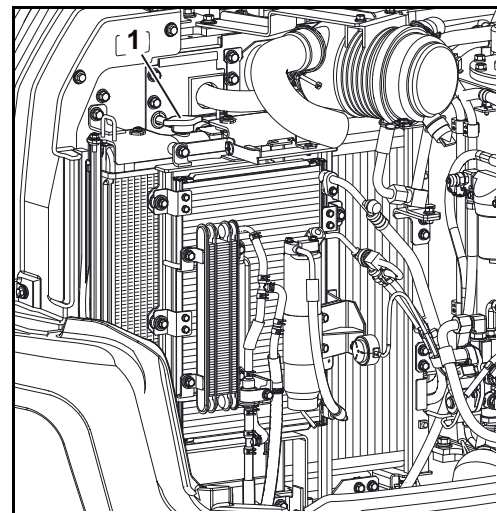


If the coolant expansion reservoir was completely empty, check the coolant level in the radiator.



*Do not open the radiator cap while the engine is still hot, risk of scalding.*

- Open the side cover (page 155).
- Remove the radiator cap (1) by turning it anticlockwise.
- The coolant level should be at the lower mark of the filler plug; if not, add coolant.
- Close the radiator cap.
- Close the side cover.



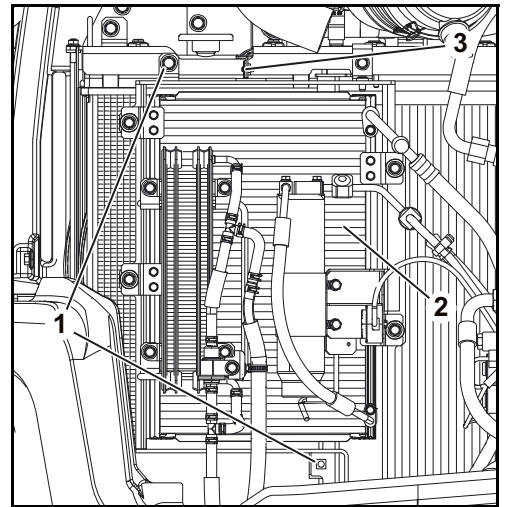


## Radiator and condenser - clean

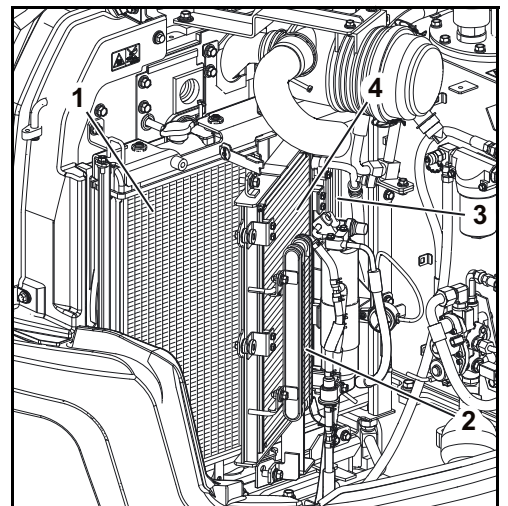


*Do not touch the hot radiators: risk of burning.*

- Open the side cover (page 155).
- Remove the screws (1).
- Open the condenser (2) forwards.
- Drop down the stopper (3) and lock the condenser.



- Clean the coolant radiator (1), hydraulic oil radiator (3), fuel cooler (2) and condenser (4) from the engine side with a water jet or a compressed air pistol. Do not use high-pressure cleaners.
- Pay particular attention to the space between the radiators and the condenser, as leaves tend to accumulate here.



Check the radiator and condenser for damage after cleaning it.

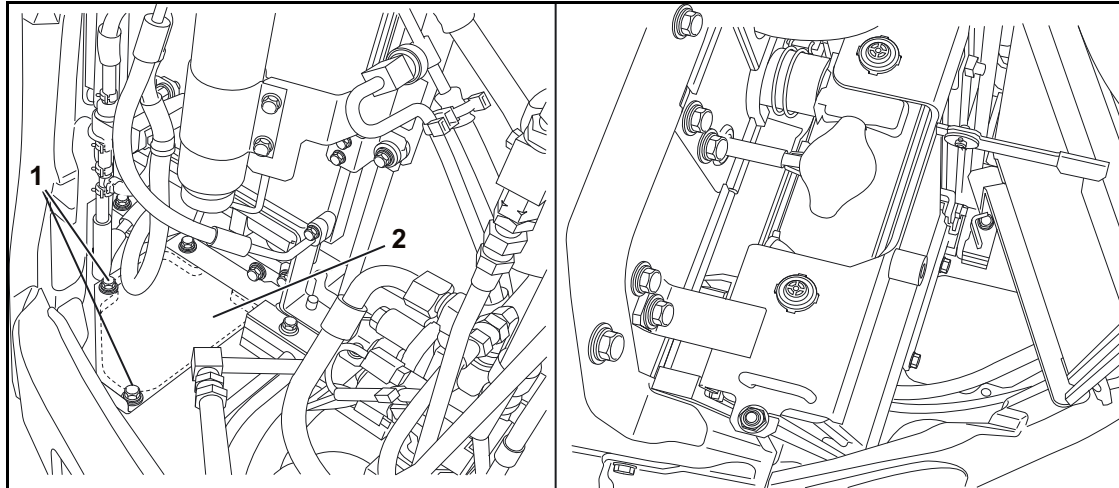
- Raise the stopper (3) and unlock the condenser.
- Close the condenser (2) backwards.
- Tighten the screws (1).
- Close the side cover.

### Dusting cover

In cleaning the cooler, remove the dusting cover to discharge dust out of the machine.

Remove the screws (1).

Remove the dusting cover (2).



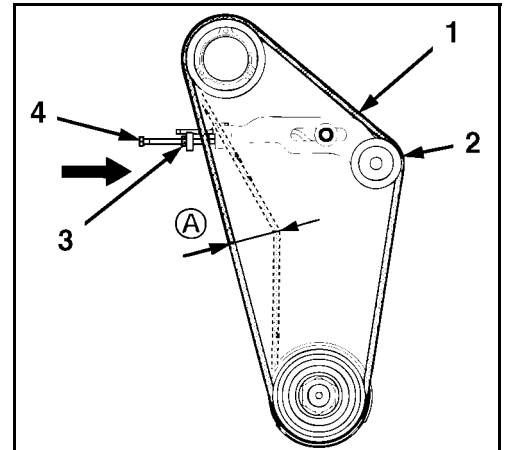
## V-belts - check/adjust/change

### Adjusting the V-belts

- Open the engine compartment cover (page 154).
- Check the V-belt (page 85).

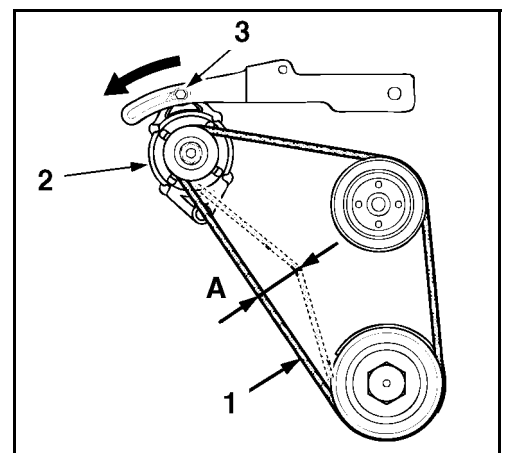
### Air conditioner V-belt (optional)

- Loosen the lock nut (3).
- Rotating the screw (4) clockwise adjusts the tension roller (2) and tensions the V-belt (1).
- Press in the V-belt at position "A". The V-belt must give way by approx. 12-15 mm (pressure: 6-7 kg).
- Tighten the lock nut (3).
- After adjusting, check the V-belt.



### Fan/Alternator V-belt

- Loosen the fastening screw (3).
- Tighten the V-belt (1) by swinging the alternator (2).
- Press in the V-belt at position "A". The V-belt must give way by approx. 7-9 mm (pressure: 6-7 kg).
- Tighten the fastening screw.
- After adjusting, check the V-belt.
- Close the engine compartment cover.



### Coolant hoses and hose clamps - check

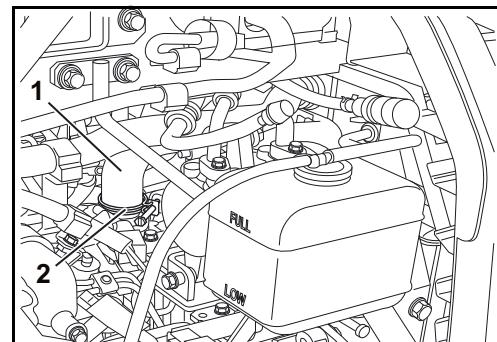
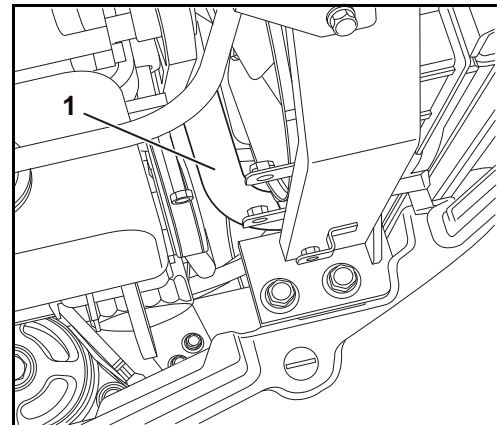
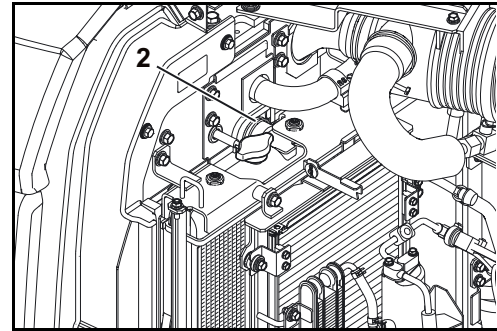


Carry out the inspection while the engine is cold.

- Open the engine compartment cover (page 154).
- Open the side cover (page 155).

Inspect condition (cracks, bulges, hard spots) of all coolant hoses (1) on the engine and to the radiator or to the heater fan, and ensure that they are tight and the clamps (2) are securely fastened. If necessary, have the hoses replaced by trained personnel.

- Close the side cover.
- Close the engine compartment cover.



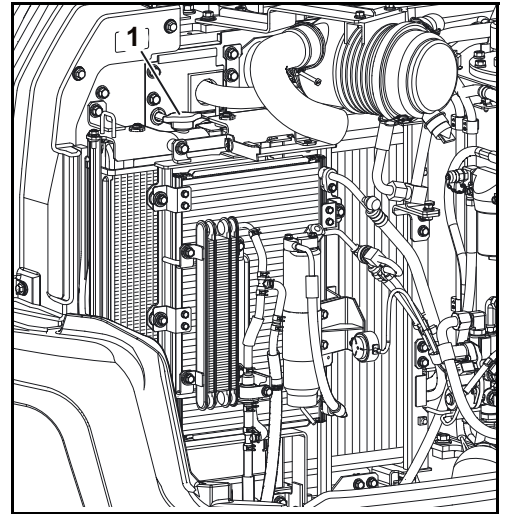
## Coolant - change



*Drain the coolant only when the engine is cold.*

Total cooling system capacity: 7 l

- Open the engine compartment and side cover (page 154).
- Remove the radiator cap (1) by turning it anticlockwise.

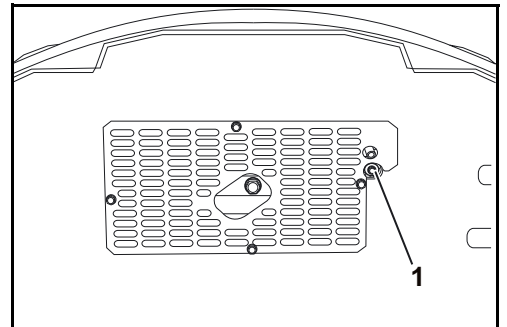


- Open the central coolant drain plug (1) and drain the coolant completely.



*Fill the coolant in a container and dispose of it in accordance with the prevailing environmental protection regulations.*

Purge the cooling system if the coolant is very dirty. To do this, spray water without additives into the cooling system with a hose through the filler opening until clear water emerges at the outlet.

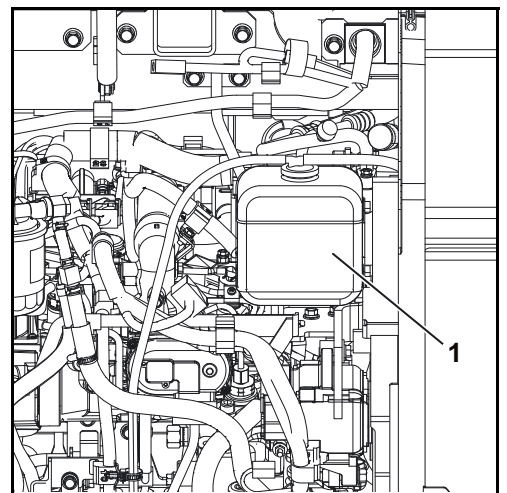


- Close the central drain.
- Remove the coolant expansion reservoir (1) and drain it, cleaning it if necessary. Refit the reservoir.
- Fill the premixed coolant into the radiator and expansion reservoir.



*Do not operate the cooling system with pure water (even in summer). The antifreeze also contains a corrosion inhibitor.*

- Start the engine (page 96) and let it run at idle speed to warm up.
- Stop the engine (page 99).
- Check the coolant level (page 84), adding coolant if necessary (page 182).
- Close the engine compartment and side cover.



### Engine oil and oil filter - change

- Open the engine compartment cover (page 154).



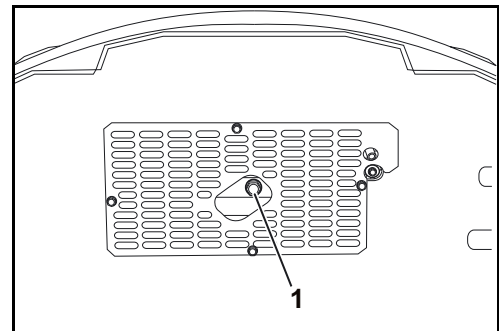
*Caution: The engine oil and the oil filter are very hot → risk of scalding.*



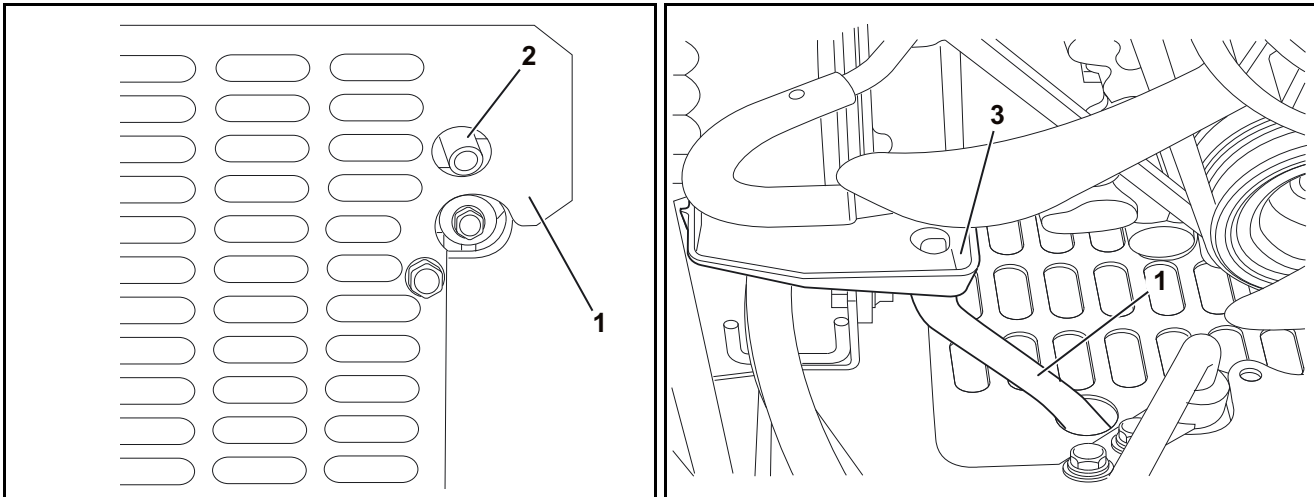
*Place an oil pan with a capacity of about 15 l under the engine oil drain. The engine oil should not be allowed to seep into the soil and it must be discarded like the oil filter in accordance with the applicable environment protection regulations.*

### Engine oil - drain

- Remove the oil drain plug (1) and let the engine oil drain into the drain pan.
- Install the oil drain plug using a new seal.



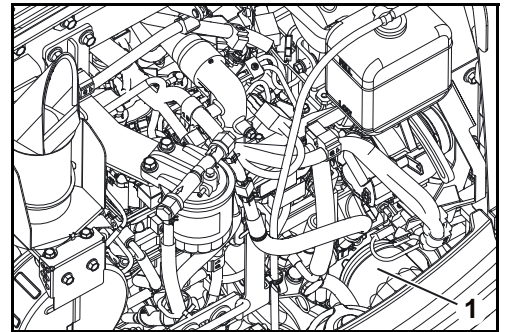
Suppose that the cover (1) has been removed from below the engine for maintenance purpose. Before attaching it back into position, pass the drain hose (2) of engine oil tray (3) through the cover's hole.



## Maintenance

### Oil filter - change

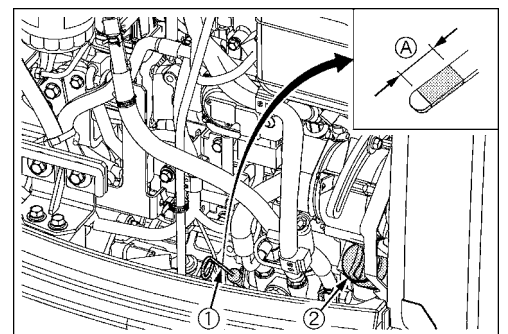
- Place an oil pan under the oil filter (1). Remove the oil filter using a filter wrench (turn anticlockwise).
- Coat the sealing ring of the new oil filter with engine oil.
- Install and tighten the oil filter by hand. Do not use the filter wrench.



### Engine oil - fill

Filling capacity: 7 l

- Remove the oil filler cap (2) and fill engine oil. See the "Operating materials" section (page 180).
- Screw in the oil filler cap.
- Start the engine (page 96). The engine oil pressure indicator must go out as soon as the engine has started. If this does not happen, switch the engine off immediately and contact trained personnel.
- Let the engine run at idle speed to warm up, then stop it (page 99). Check the oil level after 5 minutes.
- Pull out the oil dipstick (1) and wipe it with a clean cloth.
- Insert the oil dipstick completely and pull it out again. The oil level should be in the "A" area. If the oil level is too low, add engine oil.



*If the oil level is too high or too low, the engine might get damaged during operation.*

- When changing the engine oil, fill engine oil up to the MAX mark.
- Close the engine compartment cover.

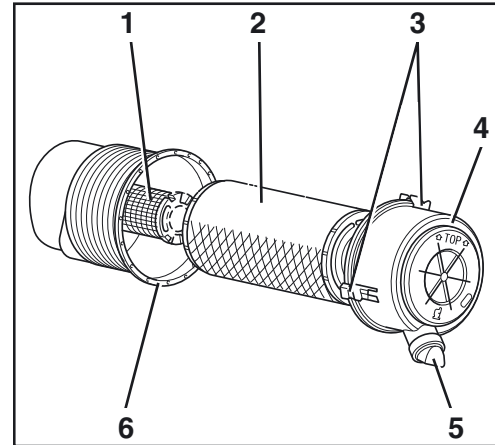
### Air filter - check/clean/change



**Risk of engine damage!**

The interior filter element (1) must remain installed while cleaning the air filter case (6). Otherwise, particles of dirt could enter the air intake duct while cleaning and damage parts of the injection system and engine.

- Open the side cover (page 155).
- Open the clips (3) and remove the cover (4).
- Pull the outer filter element (2) out of the air filter case (6) and check it for dirt.
- Clean the air filter case and cover without removing the inner filter element (1). Remove the inner filter element only when replacing it.
- Clean the dust valve (5).
- Replace the outer filter element if it is damaged or too much dust has accumulated on it.



The internal filter element must only be replaced by skilled personnel in the framework of the corresponding service period.

- For the replacement, pull the internal filter element out and immediately insert a new filter element.

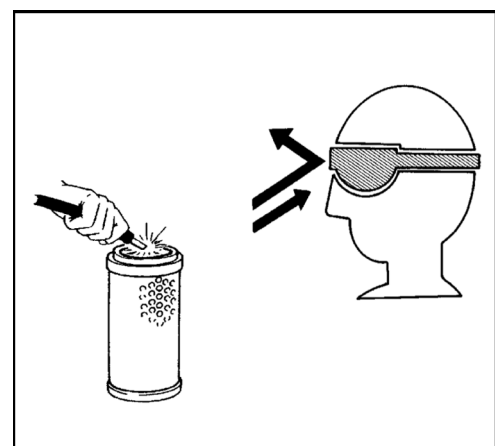


Do not clean the filter element with fluids. Never operate the engine without the air filter elements.



Always wear eye protection when working with compressed air.

- Clean the outer filter element with compressed air (max. 5 bar) from the inside out without damaging the filter element. Wear eye protection for this service.
- Insert the outer air filter element and the cover with the TOP mark facing up. Then lock the braces.
- Close the side cover.





## Fuel filter - change



*While changing the fuel filter, be careful not to allow dust or dirt into the fuel line and the fuel filter.*



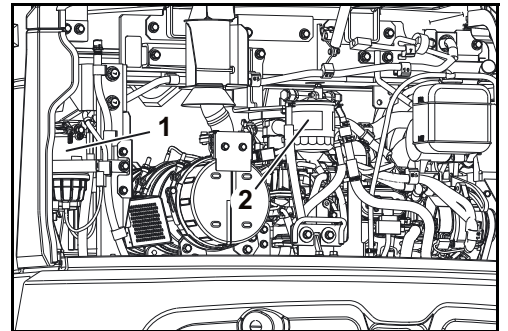
*Always remove spilled fuel immediately.*

- Open the engine compartment cover (page 154).



*Place a cleaning cloth under the fuel filter to prevent fuel from spilling onto the ground.*

- Turn the cock (1) at the water separator to the OFF position.
- Remove the fuel filter (2).
- Wet the rubber seal of the new filter with fuel.
- Install a new filter and tighten it by hand.
- Switch the shutoff-valve to the ON position.
- Bleed the fuel system (page 149).
- Check the fuel filter for leaks.



*Dispose of cleaning cloths and the old filter in accordance with applicable environmental protection regulations.*

- Close the engine compartment cover.

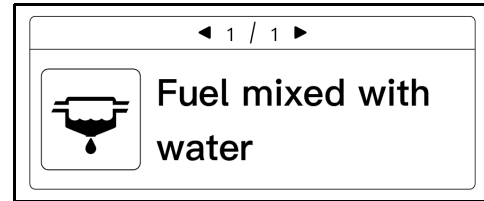


*If the fuel filter is not replaced regularly, the cleaning interval for the diesel particle filter can no longer be guaranteed. The particle filter would be clogged earlier than expected.*

### Water separator - drain



Water and impurities in the fuel settle in the water separator. The water separator is equipped with a sensor that checks the fill level. If any such deposits form, a message will appear on the display as shown in figure on the right.



*Risk of engine damages from water in the fuel!*

Water reduces the lubrication capacity of the diesel fuel. The injection pump could be damaged and metal parts could corrode. Furthermore, the diesel particle filter's cleaning interval can no longer be guaranteed. The particle filter would be clogged earlier than expected. If the "Water mixed with fuel" malfunction indicator appears on the display, the water must be drained from the water separator immediately after the engine has stopped.



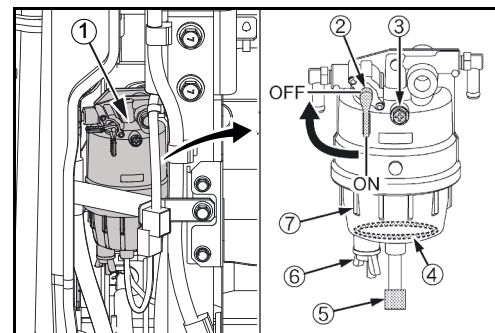
*Always remove spilled fuel immediately.*

- Open the engine compartment cover (page 154).
- Visual inspection of the water separator for water and sediments.



*Place a cleaning cloth under the water separator (1) to prevent fuel from running onto the ground.*

- Turn the cock (2) to the "OFF" position.
- Loosen the venting screw (3).
- Loosen the drain valve (6) and drain the impurities.
- Close the drain valve.
- Tighten the venting screw.
- Make sure that the sensor cable plug (5) is connected.
- Switch the shutoff-valve to the ON position.
- Bleed the fuel system (page 149).
- Check the water separator for leaks.



*Dispose of cleaning cloths according to the applicable environmental protection regulations.*

- Close the engine compartment cover.

## Maintenance

### Water separator - clean



While changing the fuel filter, be careful not to allow dust or dirt into the fuel line and the fuel filter.



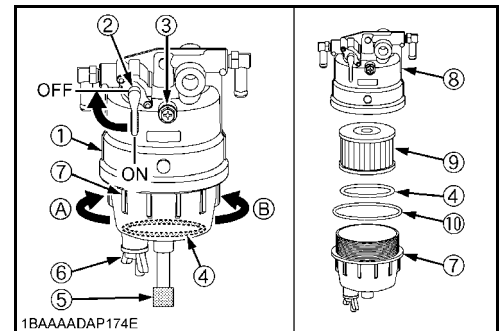
Always remove spilled fuel immediately.

- Open the engine compartment cover (page 154).



Place a cleaning cloth under the water separator (1) to prevent fuel from running onto the ground.

- Turn the cock (2) to the "OFF" position.
- Disconnect sensor cable plug (5).
- Remove (A) the filter cup (7).
- Empty the filter cup and clean it with clean diesel fuel.
- Check the sealing ring (10) and replace if damaged.
- Screw on (B) the filter cup and tighten it by hand.
- Switch the shutoff-valve to the ON position.
- Bleed the fuel system (page 149).
- Check the water separator for leaks.
- Connect sensor cable plug.



Dispose of cleaning cloths according to the applicable environmental protection regulations.

- Close the engine compartment cover.

### Water separator filter - change



While changing the fuel filter, be careful not to allow dust or dirt into the fuel line and the fuel filter.



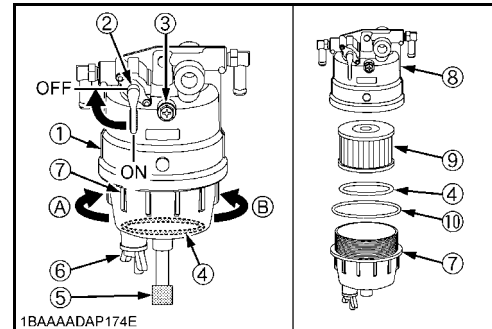
Always remove spilled fuel immediately.

- Open the engine compartment cover (page 154).



Place a cleaning cloth under the water separator (1) to prevent fuel from running onto the ground.

- Turn the cock (2) to the "OFF" position.
- Disconnect sensor cable plug (5).
- Remove (A) the filter cup (7).
- Remove the filter element (9) from the filter head (8).
- Empty the filter cup and clean it with clean diesel fuel.
- Insert a new filter element.
- Check the sealing ring (10) and replace if damaged.
- Screw on (B) the filter cup and tighten it by hand.
- Switch the shutoff-valve to the ON position.
- Bleed the fuel system (page 149).
- Check the water separator for leaks.
- Connect sensor cable plug.



Dispose of cleaning cloths according to the applicable environmental protection regulations.

- Close the engine compartment cover.

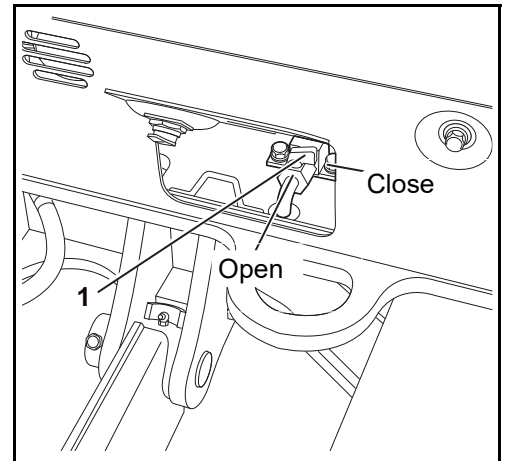
## Maintenance

### Fuel tank - drain

- Open the front service cover (page 156).
- Place a container with a minimum capacity of 12 l under the fuel drain valve.
- Open drain valve (1) and drain the water.
- Close the drain valve.

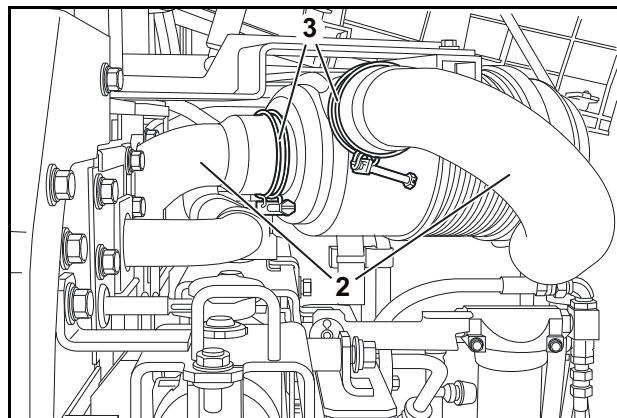
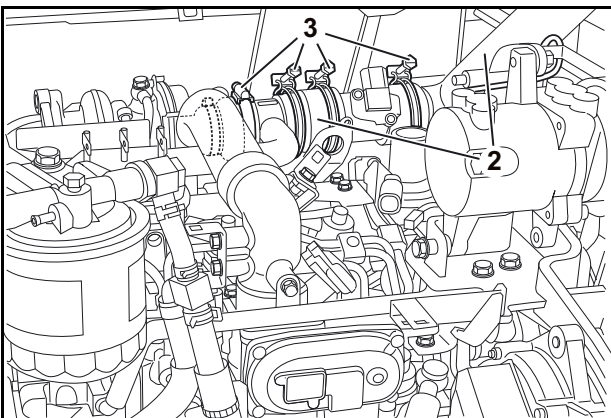
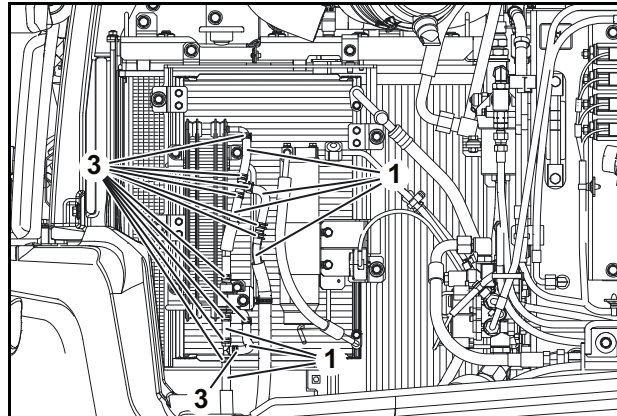
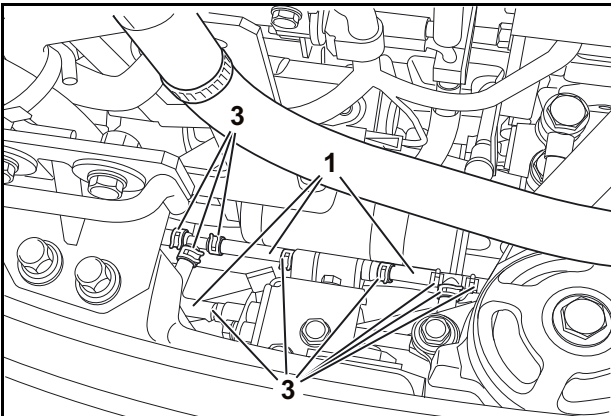
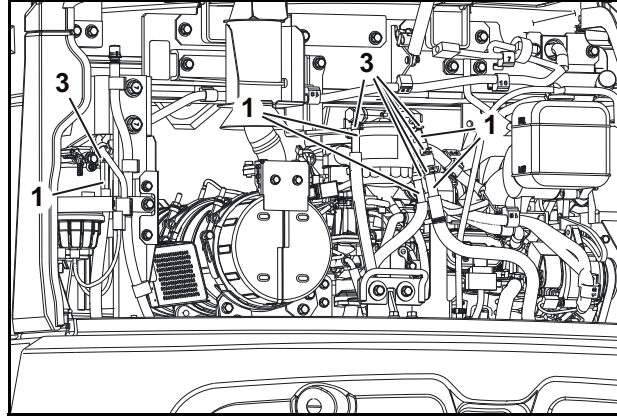
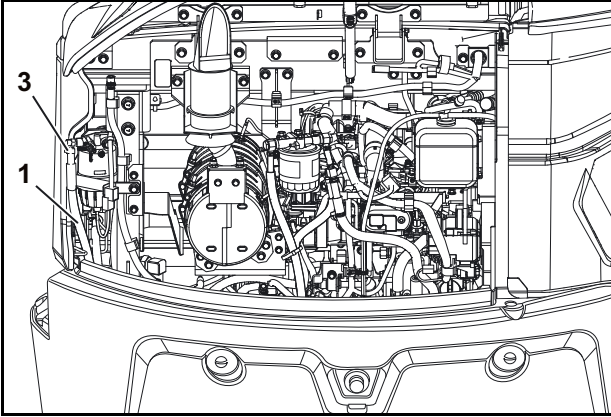


*Dispose of fluid in the container according to the applicable environmental protection regulations.*



### Fuel lines and the air intake hoses - check

- Check all accessible fuel lines (1), air intake hoses (2) and clamps (3) to ensure that they are not damaged and are firmly seated.
- Repair or replace damaged parts.



## Return filter in the hydraulic oil tank - change



*While replacing the return filter, be careful not to allow dust or dirt into the hydraulic oil tank.*



*Always remove spilled hydraulic oil immediately.*

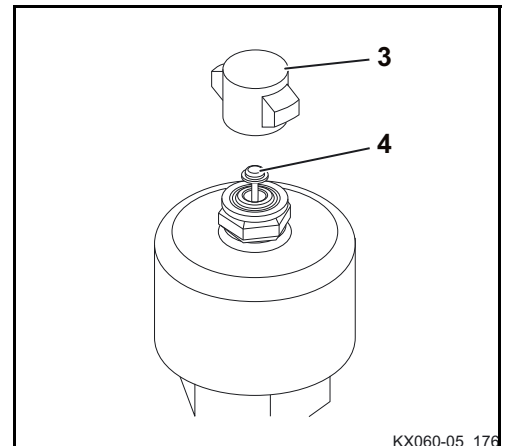


*Pay attention to utmost cleanliness when servicing the hydraulic system.*



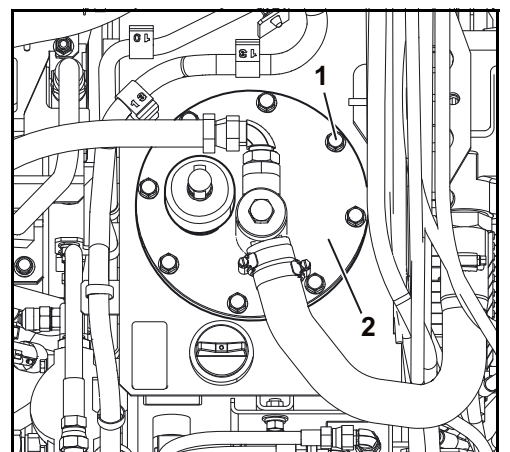
*Risk of injury by hot and pressurized hydraulic oil! This service may only be carried out after the hydraulic oil has cooled down. Then release pressure.*

- Open the side cover (page 155).
- Unscrew the cap nut (3).
- Push the button (4) to release pressure.
- Reinstall the cap nut.



KX060-05 176

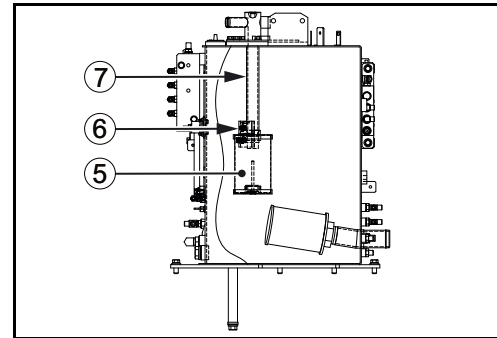
- Remove the screws (1).
- Remove the hydraulic oil tank cover (2).



- Remove the return filter (5) with rod (7).
- Loosen the screw (6).
- Remove the return filter and replace it with a new one.



*Dispose of cleaning cloths and the old filter element in accordance with applicable environmental protection regulations.*



- Tighten the screw (6).
- Check the condition of the sealing ring of the hydraulic oil tank cover. Replace if necessary.
- Insert the return filter with rod.
- Screw on the hydraulic oil tank cover.
- Close the side cover.

### Tank breather filter - change



*Pay attention to utmost cleanliness when servicing the hydraulic system.*

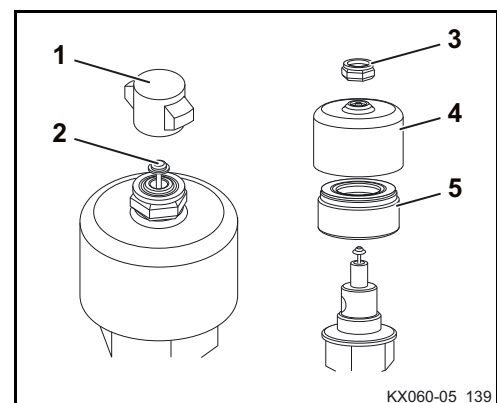


*Risk of injury by hot pressurized hydraulic oil! This service may only be carried out after the hydraulic oil has cooled down. Then release pressure.*

- Open the side cover (page 155).
- Unscrew the cap nut (1).
- Push the button (2) to release pressure.
- Unscrew the nut (3) and remove the cover (4).
- Take the breather filter (5) out of the hydraulic tank cover and replace it with a new one.



*Dispose of cleaning cloths and the old filter element in accordance with applicable environmental protection regulations.*



- Tighten the cover (4) and the nut (3) and install the cap nut (1).
- Close the side cover.



### Pilot circuit filter - change



*While changing the pilot circuit filter, be careful not to allow dust or dirt into the pilot circuit filter.*



*Always remove spilled hydraulic oil immediately.*

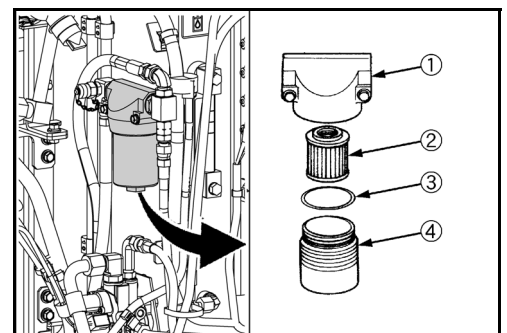


*This service may only be carried out after the hydraulic oil has cooled down.*

- Open the side cover (page 155).
- Remove the filter cup (4) from the filter head (1).
- Remove the filter element (2) from the filter head.
- Install a new filter along with the included new sealing ring (4).



*Dispose of cleaning cloths and the old filter element in accordance with applicable environmental protection regulations.*



- Screw in the filter cup and tighten it by hand.
- Start the engine (page 96). Let the engine run at idle speed to warm up, then stop it (page 99).
- Check the hydraulic oil level, add oil if necessary.
- Close the side cover.

### Suction filter - change



While replacing the hydraulic oil and the suction filter, be careful not to allow dust or dirt into the hydraulic oil tank.



Always remove spilled hydraulic oil immediately.



Pay attention to utmost cleanliness when servicing the hydraulic system.

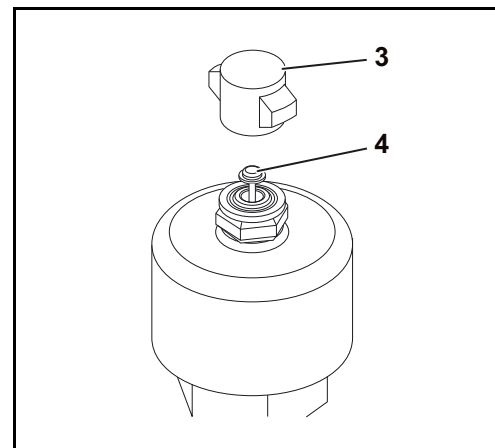


Risk of injury by hot pressurized hydraulic oil! This service may only be carried out after the hydraulic oil has cooled down. Then release pressure.

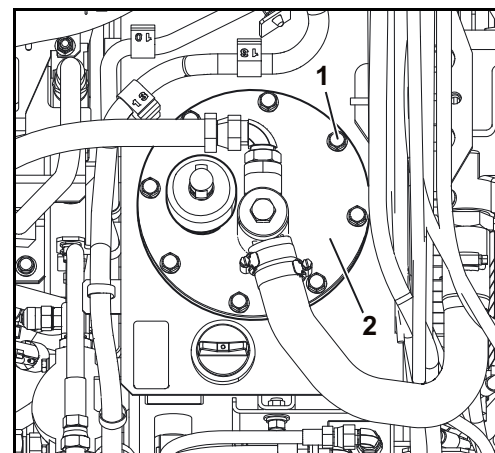


The suction filter must be replaced along with the hydraulic oil.

- Open the side cover (page 155).
- Unscrew the cap nut (3).
- Push the button (4) to release pressure.
- Reinstall the cap nut.
- Drain the hydraulic oil (page 203).
- Remove the return filter from the hydraulic oil tank (page 197).



- Remove the screws (1).
- Remove the hydraulic oil tank cover (2).



## Maintenance

- Remove the suction filter assembly (5).
- If necessary, remove any residues with a clean, lint-free cloth.

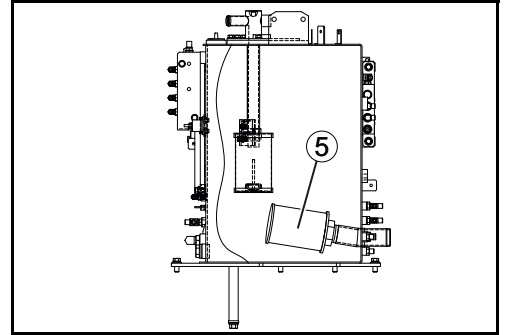


*Discard the suction filter and cleaning cloth in accordance with applicable environmental protection regulations.*

- Install the new suction filter assembly.
- Install the return filter (page 197).
- Check the condition of the sealing ring of the hydraulic oil tank cover.

Replace if necessary.

- Attach hydraulic oil tank cover and screw on tightly.
- Fill hydraulic oil (page 203).
- Close the side cover.



### Hydraulic oil - refill/change



*While replacing the hydraulic oil and the suction filter, be careful not to allow dust or dirt into the hydraulic oil tank.*



*Always remove spilled hydraulic oil immediately.*



*Pay attention to utmost cleanliness when servicing the hydraulic system.*

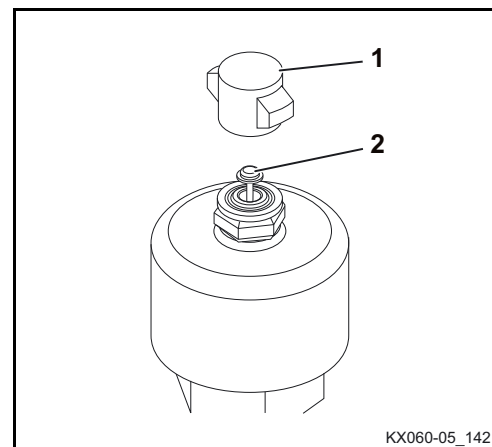


*Risk of injury by hot pressurized hydraulic oil! This service may only be carried out after the hydraulic oil has cooled down. Then release pressure.*



*The suction filter must be replaced along with the hydraulic oil.*

- Operate the boom, arm, bucket and boom swing mechanism so that all hydraulic cylinders are extended half way. Lower the dozer onto the ground. See the "Placing out of operation" section (page 133).
- Open the side cover (page 155).
- Unscrew the cap nut (1).
- Push the button (2) to release pressure.
- Reinstall the cap nut.

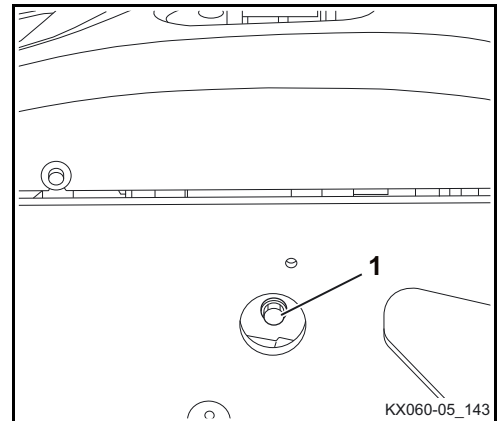


## Draining the hydraulic oil



The swivel frame must be turned 90° to the right for the hydraulic oil drain to be accessed.

- Place a container with a minimum capacity of 100 l under the hydraulic oil drain plug.
- Remove the drain plug (1) and drain the hydraulic oil.
- Install the drain plug with a new sealing ring.



## Filling the hydraulic oil

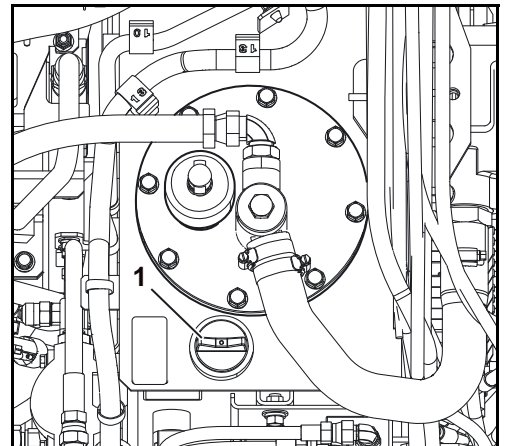


Before filling in a different brand of hydraulic oil, drain the hydraulic oil system completely.

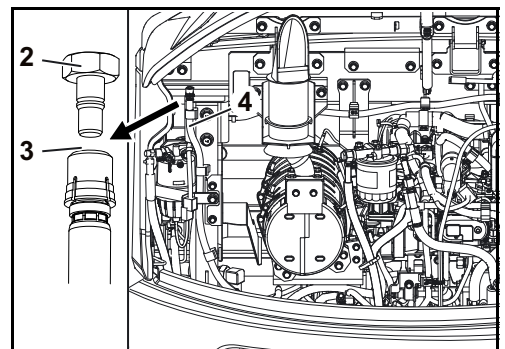
Filling quantity with oil change: approx. 40 l

Total hydraulic system capacity: 76 l

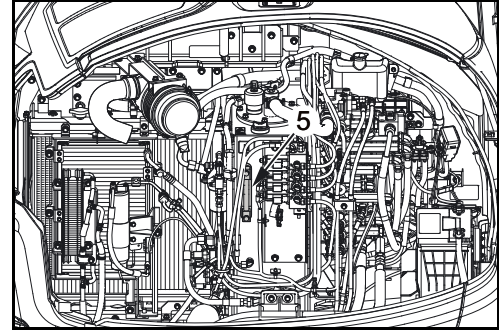
- Remove the filler plug (1) from the hydraulic oil tank.
- Insert a clean funnel with a strainer into the filler plug opening.
- Open the engine compartment cover (page 154).



- Press in the hexagonal plug (2) and the black plastic lock section (3) of the air bleed hose for the hydraulic pump (4) as well.
- Then hold the black plastic lock section and pull out the hexagonal plug.



- Fill hydraulic oil to half way up the sight glass (5).
- Refit the hexagonal plug to the hose.
- Close the engine compartment cover.
- Refit the plug to the hydraulic oil tank.
- Close the side cover.



*Before starting the engine, make sure to fit the filler plug of hydraulic tank and the hexagonal plug of the air bleed hose for the hydraulic pump.*

- Start the engine (page 96) and operate all control functions.
- Operate the boom, arm, bucket and boom swing mechanism so that all hydraulic cylinders are extended half way. Lower the dozer onto the ground. See the "Placing out of operation" section (page 133).
- Check the hydraulic oil level, add oil if necessary.

### Battery service



The battery can become damaged or may explode if the following instructions are not observed. Regular maintenance can extend the life cycle of the battery considerably.

- For refillable-type batteries, never charge or use when the electrolyte level is below the [LOWER] (lower limit level) mark.
- Check the fluid level regularly and top up distilled water as required so that the electrolyte level is between the [UPPER] and [LOWER] levels.
- Check the battery regularly.



When servicing a battery, always wear suitable protective gloves and eye protection.

### Battery - check

- Open the side cover (page 155).

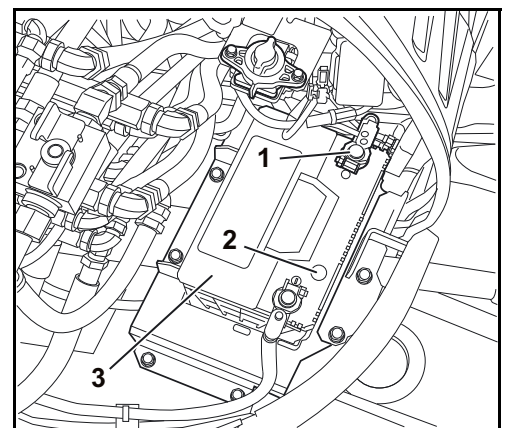


Be careful when cleaning the positive terminal (1) - risk of short circuit! Do not use metal tools.

- The battery charge must be checked on the charge indicator (2) according to the operating instructions of the battery manufacturer.



How to read the indicator	
State of indicator display	
Green	Specific gravity of electrolyte and quality of electrolyte are both in good condition.
Black	Needs charging battery.
White	Needs replacing battery.



Do not open maintenance-free batteries!

- Check battery (3) for tight fit, if necessary screw tight.
- Check battery poles for cleanness, if necessary clean and grease with petroleum jelly.
- Close the side cover.

### Battery - charge



Battery acid is very caustic. Avoid contact with battery acid under all circumstances. If clothing, skin or eyes have come in contact with battery acid, rinse the affected parts immediately with water. If the eyes are affected, immediately seek medical attention! Neutralise spilled battery acid immediately.



When servicing a battery, always wear suitable protective gloves and eye protection.



Charge batteries only in sufficiently ventilated rooms. Smoking, uncovered lights or fire are not allowed in these rooms.



Explosive gas is created when charging batteries. Open flames can cause an explosion.



For refillable-type batteries, remove the plugs when charging batteries that are virtually empty. If the batteries are merely being recharged, the plugs can be left in the batteries.



The battery can only be charged if the starter switch is in the STOP position and the key removed.

- Make the battery accessible.
- For refillable-type batteries, check the electrolyte level in the battery, add distilled water if required.



When disconnecting and connecting the battery, always observe the specified order → risk of short circuit.

- Remove the negative terminal cover and take off the cable clamp. Move the clamp to the side so as to avoid contact with the negative terminal.
- Remove the positive terminal cover.
- Connect the battery charger to the battery according to the instructions of the charger manufacturer. Choose the normal (gentle) charging method.
- Clean the battery after charging. For refillable-type batteries, replenish the electrolyte, if necessary.
- For refillable-type batteries, check the acid density with a hydrometer. The acid density should be between 1.24 and 1.28 kg/l. If the acid density differs considerably among the individual cells of a battery, the battery probably has a defect. Check the affected battery with a battery tester and contact trained personnel.

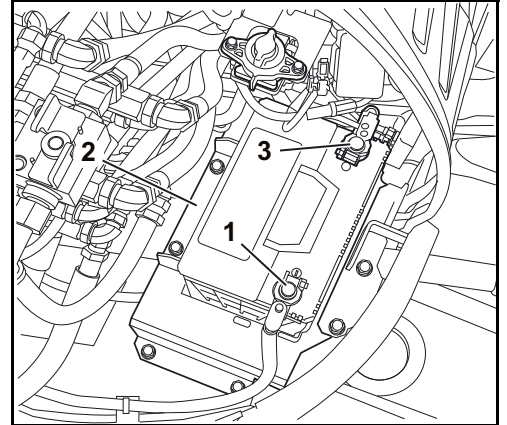


**Battery - change**



When disconnecting and connecting the battery, always observe the specified order → Risk of short circuit.

- Open the side cover (page 155).
- Remove the negative terminal cover and take off the cable clamp (1). Move the clamp to the side so as to avoid contact with the negative terminal.
- Remove the positive terminal cover and take off the cable clamp (3). Move the clamp to the side so as to avoid contact with the positive terminal.
- Remove the battery retainer (2) and lift the battery out of the swivel frame.



When replacing the battery, always install a battery of the same type with the same power rating and the same dimensions.

- Before installation, cover the battery terminals and cable clamps with petroleum jelly.
- Install the battery in the swivel frame and fasten it with the battery retainer. Make sure that the battery is installed tightly → Do not operate the machine with a loose battery.
- Connect the positive cable clamp to the positive terminal (+) of the battery, install the positive terminal cover.
- Connect the negative terminal (-) of the battery, install the negative terminal cover.



*Pre-installed battery*

Type	Hold-down	Voltage (V)	Capacity (Ah)	Reserve Capacity (Min.)	Cold Cranking Amps (A)	Normal Charging Rate (A)
90D26 L(JIS)	B7	12	52 (5 h)	125	680	6.5

### Lubrication

The following describes all lubricating tasks which should be performed with the superstructure.

#### Swivel gear - grease

- Fill grease through the grease fitting (1) with a grease gun.



Grease at each 90° position of the swivel gear. Fill a total of approx. 50 g of grease (approx. 20 shots with the grease gun). Refer to the "Operating materials" section (page 180).

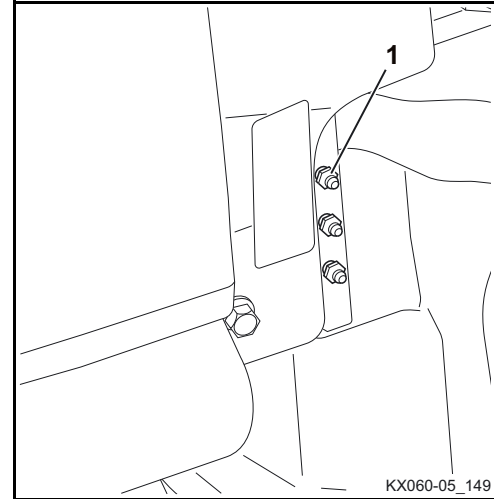


When moving the swivel frame, make sure no person or material is in the swivel area. Turn the starter switch to the STOP position and remove the key before the next greasing procedure.

- Operate the machine and swivel the swivel frame by 90° several times. After greasing, swivel the swivel frame 360° several times to distribute the grease evenly.



Wipe emerged grease off immediately and store dirty cleaning cloths in the containers provided for disposal.



KX060-05\_149

#### Swivel ball bearing - grease

- Fill grease through the grease fitting (1) with a grease gun.



Grease at each 90° position of the pitch bearing. Using the grease gun, apply 5 shots at every position. Refer to the "Operating materials" section (page 180).

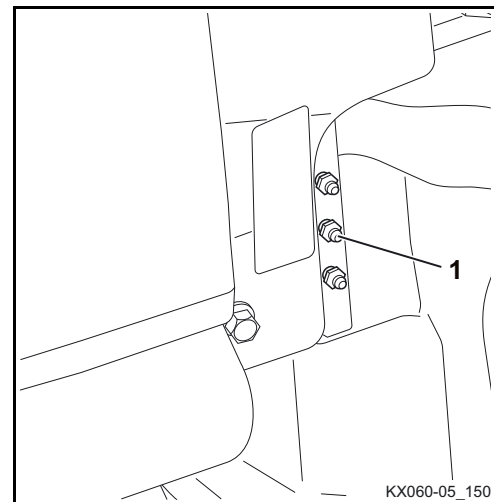


When moving the swivel frame, make sure no person or material is in the swivel area. Turn the starter switch to the STOP position and remove the key before the next greasing procedure.

- Operate the machine and swivel the swivel frame by 90° several times. After greasing, swivel the swivel frame 360° several times to distribute the grease evenly.



Wipe emerged grease off immediately and store dirty cleaning cloths in the containers provided for disposal.



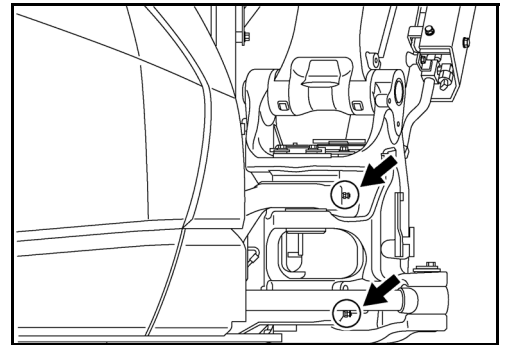
KX060-05\_150

**Swing bracket - grease**

- Lubricate both greasing points (see figure to the right) – see the "Operating materials" section (page 180) – by injecting grease until fresh grease emerges.

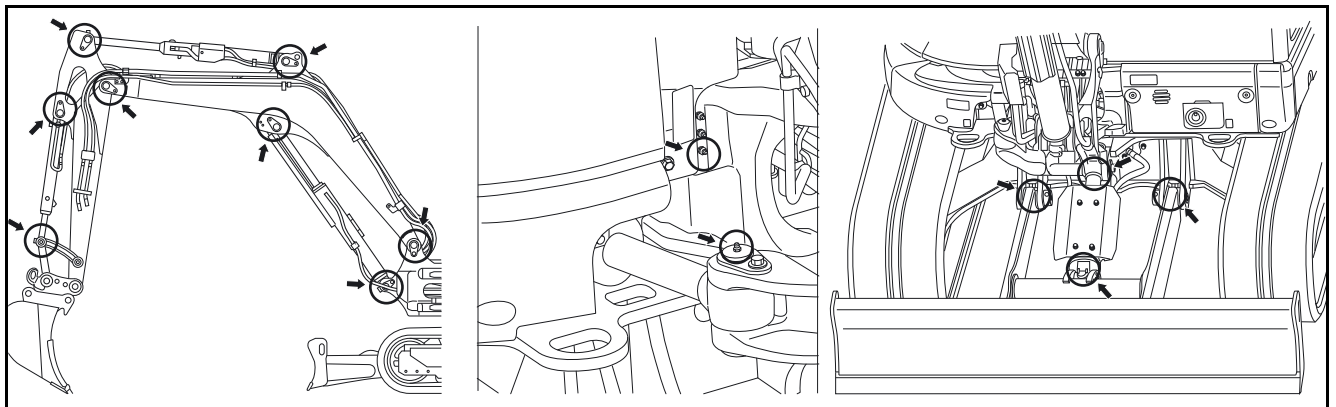


*Wipe emerged grease off immediately and store dirty cleaning cloths in the containers provided for disposal.*



**Other greasing points**

- Start the engine (page 96).
- Position the boom, arm, and dozer as shown in the figure. Stop the engine, remove the key. Refer to the "Operating the controls during excavation work" section) (page 117).



- Lubricate all greasing points with grease – see the "Operating materials" section (page 180) – until fresh grease emerges.



*Wipe emerged grease off immediately and store dirty cleaning cloths in the containers provided for disposal.*

### Crawler tension - check/adjust



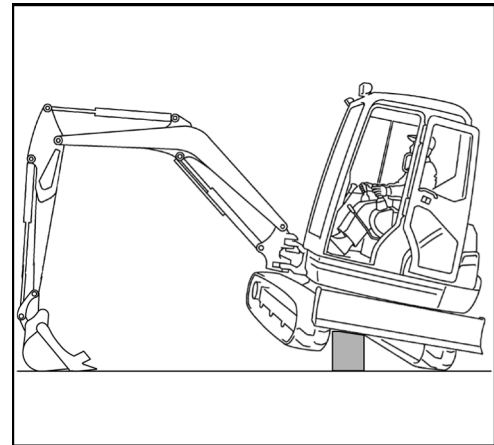
*If the crawlers are too tight, wear is increased.*



*If the crawlers are too loose, wear is increased and the crawlers may come off.*

When parking an machine with rubber crawlers, ensure that the seam ( $\infty$ ) is on top half way between the two sliders (see figure/1, "Crawler tension - check", page 210).

- Clean all parts of the running gear, paying particular attention to stones between the crawler and sprocket or idler. Clean the area of the crawler tensioning cylinder.
- Swivel the swivel frame 90° to the direction of travel as shown in the figure.
- Lower the front attachments on the ground and raise the machine about 200 mm off the ground on one side.



*Have a guide supervise the procedure.*



*Do not work under the machine, when lifting the machine itself with the attachment.*



*Support the machine with a safety block or safety post and keep the lock lever for attachment control in the "LOCK" position.*

### Crawler tension - check

- The crawler seam (3) is on the top halfway between the idler (1) and sprocket (2).

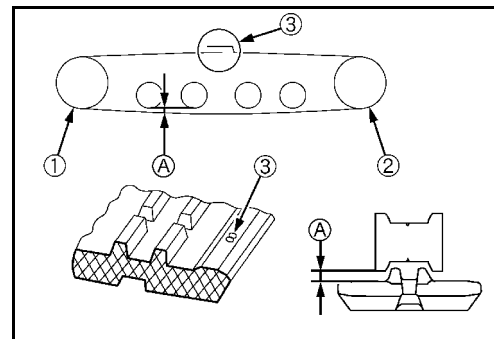


*Crawlers with an SP mark can be checked and tensioned in any position.*

- Check the crawler sag as shown in the figure.

Crawler sag "A"                      10-15 mm

- If the crawler sag is more than 15 mm, adjust the crawler.
- If necessary, tighten or loosen the crawler.
- Start the engine and rotate the lifted crawler briefly.





**Caution:** The area around the rotating crawler must be free of persons. Turn the starter switch to the STOP position after rotating the crawler and remove the key.

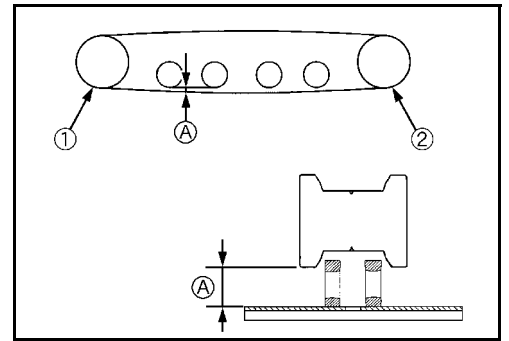
- Recheck the crawler tension, readjusting it if necessary.
- Perform the procedures on the second crawler.

### Crawler tension (steel) - check

- Check the crawler sag as shown in the figure.

Crawler sag "A"                      80-85 mm

- If the crawler sag is more than 85 mm, adjust the crawler.
- If necessary, tighten or loosen the crawler.
- Start the machine and rotate the lifted crawler briefly.



**Caution:** The area around the rotating crawler must be free of persons. Turn the starter switch to the STOP position after rotating the crawler and remove the key.

- Recheck the crawler tension, readjusting it if necessary.
- Perform the procedures on the second crawler.

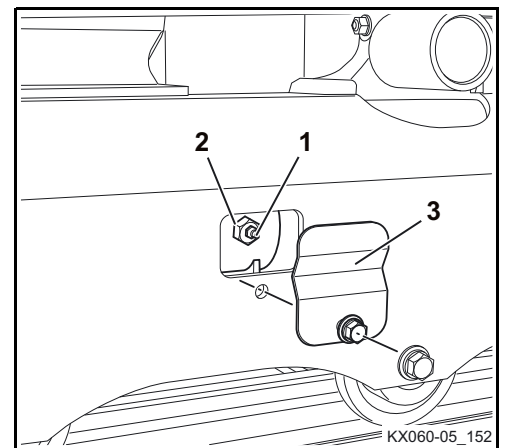
### Crawler tension - adjust

#### Tightening the crawlers

- Remove the crawler tensioner cover (3).
- Position the grease gun on the grease fitting (1).
- Pump the grease gun until the specified crawler tension is obtained.

#### Loosening the crawlers

- Cautiously unscrew the pressure valve (2) and loosen the crawler.



**Caution:** Grease could squirt out from the cylinder opening.

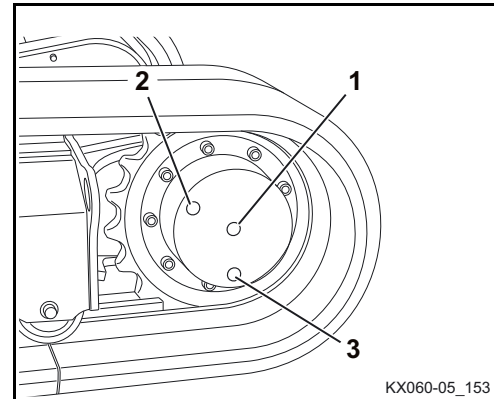
- Screw in the pressure valve and torque to 98-108 Nm.
- Tighten the crawler.

### Drive unit oil - change



Only change the oil when the drive unit is warm to the hand; if not, drive the machine warm.

- Park the machine on level ground so that the drain plug (figure below, position 3) is positioned at the bottom.
- Place a catch tray with a minimum capacity of 2 l under the drain plug.
- Remove the drain plug and let the oil drain completely. Install the drain plug with a new sealing ring on it.
- Remove the oil filler plug (2) and oil level screw (1).
- Fill oil as specified in the "Operating materials" section (page 180). The oil level is the lower edge of the thread.



KX060-05\_153

Capacities: 0.9 l

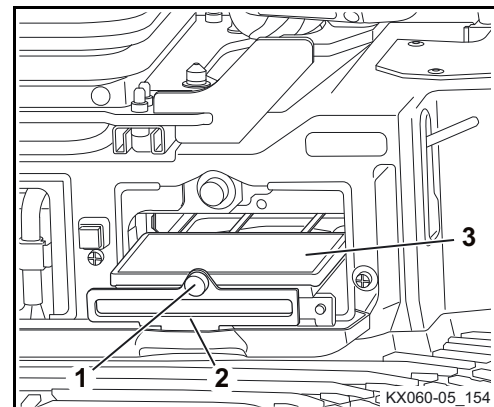
- Refit the oil filler plug and the set screw with a new sealing ring and tighten it.
- Perform the same service on the second drive unit.

### Interior air filter - check/clean/change



If the machine is operated in a particularly dusty environment, the interior air filter must be checked more often.

- Open the heating and air-conditioner unit service cover (page 157).
- Remove the screw (1).
- Open the cover plate (2).
- Remove the interior air filter (3).



KX060-05\_154

### Checking

- Inspect the interior air filter for contamination and damage. In case of heavy contamination, replace the interior air filter.

## Maintenance

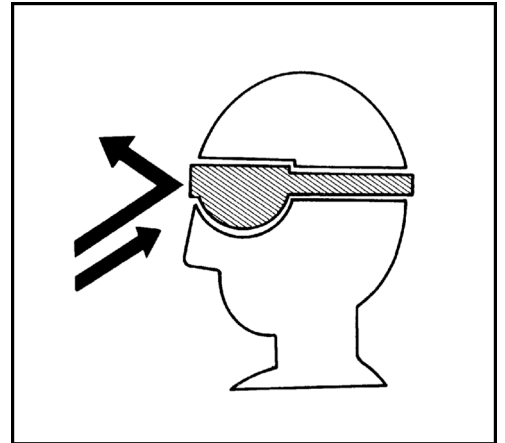
### Cleaning



Clean only with filtered air at max. 2 bar pressure.



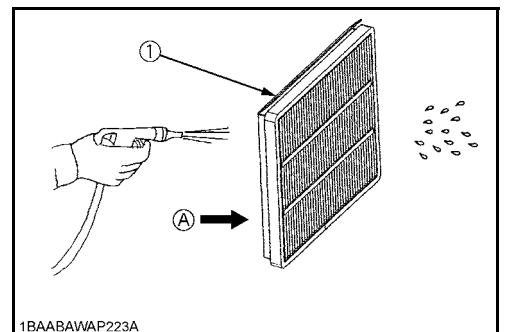
Always wear eye protection when working with compressed air.



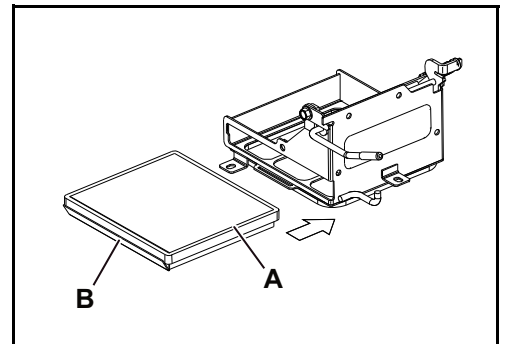
- Clean the filter (1) with compressed air in direction "A", opposite the normal direction of flow.



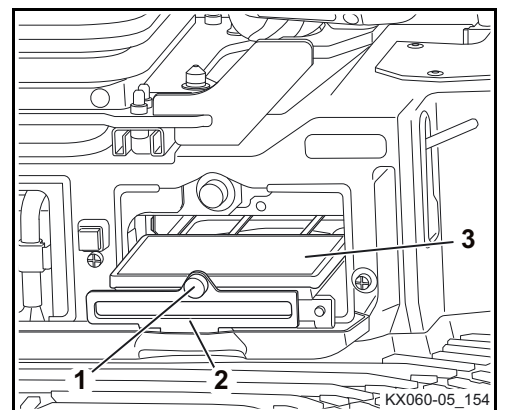
Take care not to damage the filter when installing it. A damaged filter would allow contaminated air to enter the air-conditioner assembly, causing severe damage.



Set the filter with the cushion (A) facing upward and with the V-flap (A) facing outwards. Wrong setting shortens the filter's service life.



- Replace the interior air filter (3).
- Close the cover (2).
- Tighten the screw (1).
- Close the heating and air-conditioner unit service cover.



### Pipes and hoses of the heating and air-conditioner systems - check



*Carry out the inspection while the engine is cold.*

- Open the engine compartment cover (page 154).
- Open the side cover (page 155).
- Check that all the pipes and hoses of the heating and air-conditioner systems are in serviceable condition (no cracks, bulges or hard spots) and are firmly seated. If there are any worn or damaged parts found, consult your KUBOTA dealer. Only trained personnel may work on the heating and air-conditioner systems.
- Close the engine compartment and side cover.



### Coolant content (air-conditioner only) - check



Avoid eye and skin contact. The refrigerant causes severe frostbite.



When working with refrigerants, always wear an eye protection.



Avoid contact of refrigerant and open flames. Burning the refrigerant produces a toxic gas.



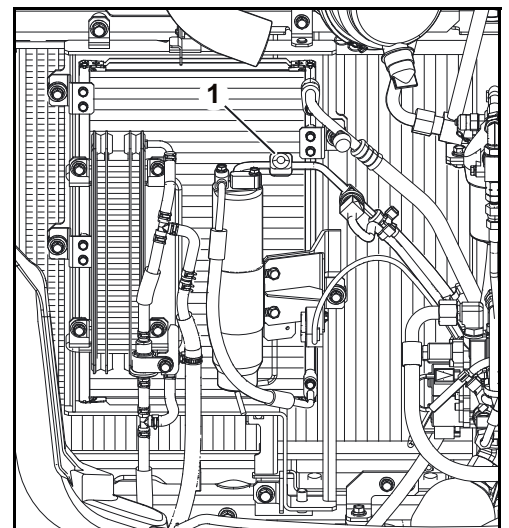
Do not detach or deactivate any components of the air-conditioner. Please contact your KUBOTA dealer.



This air conditioner contains fluorinated greenhouse gases (F-gases) (page 134).

A low refrigerant level affects the performance of the equipment and the air-conditioner will eventually automatically switch off. If you find out that the refrigerant level is too low, please contact your KUBOTA dealer.

- Open the side cover (page 155).
- Start the engine (page 96) and set an idle speed of 1500 1/min, if necessary.
- Set the temperature control to the "Cold" position and the fan to level 3, then switch on the air-conditioner.
- Using the sight glass (1), determine the refrigerant level according to the table below. If the refrigerant level is too low, please contact your KUBOTA dealer.



	Refrigerant level is OK	Small or no bubbles in the refrigerant
	Refrigerant level too low	Many large bubbles and foam in the refrigerant
	No refrigerant inside	Colourless and transparent

- Close the side cover.

### Viewing the operations log

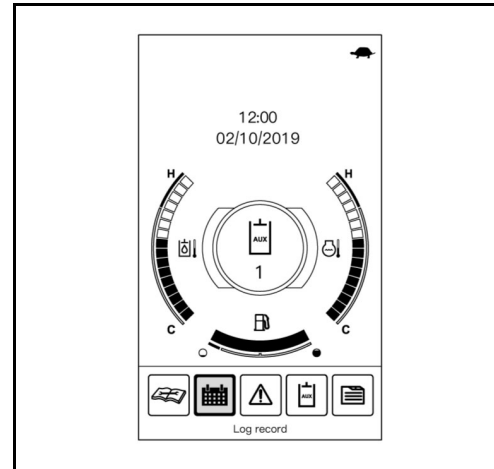
The operations log enables the operation of the machine over the previous three months to be checked.

- Turn the starter switch to the RUN position.
- Press menu switch on dial switch.

The menu bar appears in the display.

- Rotate jog dial to the right until "Log record" is selected in the display.
- Press Jog dial (enter switch).

The Log record appears in the display.

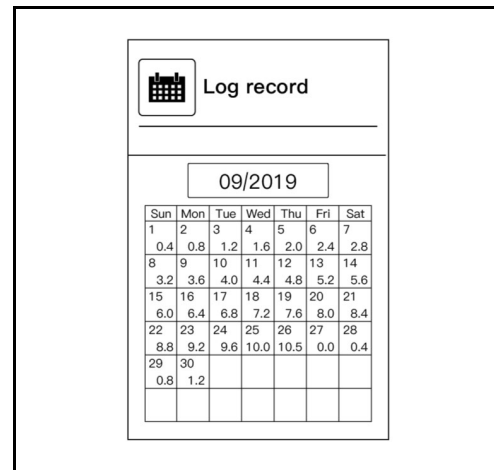


A calendar appears in the display.

- Press Jog dial (enter switch).
- Rotate jog dial to the right or the left until desired month is selected.
- Press Jog dial (enter switch).
- Log record of desired month appears in the display.



*Certain days may be marked with (-) if the clock was reset or the battery disconnected. Operation of the machine on these days cannot be traced.*



## Bolted joints - check

The table below contains the torques for nuts and bolts. These may only be tightened with a torque wrench. Missing values can be requested from KUBOTA.

### Tightening torque for screws

Nm (kgf•m)

	4 T (4.6)	7 T (8.8)	9 T (9.8-10.9)
M 6	7.8~9.3 (0.8~0.95)	9.8~11.3 (1.0~1.15)	12.3~14.2 (1.25~1.45)
M 8	17.7~20.6 (1.8~2.1)	23.5~27.5 (2.4~2.8)	29.4~34.3 (3.0~3.5)
M 10	39.2~45.1 (4.0~4.6)	48.1~55.9 (4.9~5.7)	60.8~70.6 (6.2~7.2)
M 12	62.8~72.6 (6.4~7.4)	77.5~90.2 (7.9~9.2)	103.0~117.7 (10.5~12.0)
M 14	107.9~125.5 (11.0~12.8)	123.6~147.1 (12.6~15.0)	166.7~196.1 (17.0~20.0)
M 16	166.7~191.2 (17.0~19.5)	196.1~225.6 (20.0~23.0)	259.9~304.0 (26.5~31.0)
M 20	333.4~392.3 (34.0~40.0)	367.7~431.5 (37.5~44.0)	519.8~568.8 (53.0~58.0)

### Tightening torque for hose clamps

Diameter	Part name	Tightening torque
Ø 10~14	Clamp (screw version 14)	2.5~3.4 Nm
Ø 12~16	Clamp (screw version)	2.5~3.4 Nm
Ø 13~20	Clamps (13-20)	2.5~3.4 Nm
Ø 19~25	Clamp (screw version)	2.5~3.4 Nm
Ø 31~40	Clamp (screw version)	2.5~3.4 Nm
Ø 36~46	Clamp (screw version)	2.5~3.4 Nm
Ø 15~25	Clamps (15-24)	4.9~5.9 Nm
Ø 26~38	Clamps (26-38)	4.9~5.9 Nm
Ø 32~44	Clamps (32-44)	4.9~5.9 Nm
Ø 40~55	Clamps (40-55)	4.9~5.9 Nm
Ø 44~53	Clamp (screw version)	4.9~5.9 Nm
Ø 49~60	Clamp (screw version 60)	4.9~5.9 Nm
Ø 50~60	Clamps (50-60)	4.9~5.9 Nm
Ø 58~75	Clamps (58-75)	4.9~5.9 Nm
Ø 66~88	Clamps (66-88)	4.9~5.9 Nm
Ø 77~95	Clamps (77-95)	4.9~5.9 Nm

### Tightening torque for hydraulic hoses

Nm (kgf•m)

Dimension (ORS)	Nut type (Metal seal)	Nut type (ORS)
1/8 (-)	7.8~11.8 (0.8~1.2)	--
1/4 (9/16-18)	24.5~29.4 (2.5~3.0)	35.2~43.1 (3.6~4.4)
3/8 (11/16-16)	37.2~42.1 (3.8~4.3)	60.0~73.5 (6.1~7.5)
1/2 (13/16-16)	58.8~63.7 (6.0~6.5)	70.6~86.2 (7.2~8.8)
3/4 (1-14)	117.6~127.4 (12.0~13.0)	105.8~129.4 (10.8~13.2)
1 1/4 (-)	220.5~230.3 (22.5~23.5)	--

### Tightening torque for hydraulic pipes

Size of the steel pipe (OD × ID × thickness)	Tightening torque Nm kgf•m	Wrench size (guide number)	Comments
8 × 6 × 1 mm 0.31 × 0.24 × 0.04 in.	29.4~39.2 3.0~4.0	17 mm 0.67 in.	When using a union nut
10 × 7 × 1.5 mm 0.39 × 0.28 × 0.06 in.	39.2~44.1 4.0~4.5	19 mm 0.75 in.	
12 × 9 × 1.5 mm 0.47 × 0.35 × 0.06 in.	53.9~63.7 5.5~6.5	21 mm 0.83 in.	
16 × 12 × 2 mm 0.63 × 0.47 × 0.08 in.	88.3~98.1 9.0~10.0	29 mm 1.14 in.	
18 × 14 × 2 mm 0.71 × 0.55 × 0.08 in.	127.5~137.3 13.0~14.0	32 mm 1.26 in.	
27.2 × 21.6 × 2.8 mm 1.07 × 0.85 × 0.11 in.	235.4~254.97 24.0~26.0	41 mm 1.61 in.	

### Tightening torque for hydraulic adapters

Thread size (Pipe union)	Tightening torque Nm kgf•m		Wrench size (guide number)	Comments Steel pipe (OD)	
	R (conical thread)	G (round thread)			
1/8"	19.6~29.4 2.0~3.0	--	17 mm 0.67 in.	When using a steel pipe.	8 mm 0.31 in.
1/4"	36.3~44.1 3.7~4.5	With O-ring Tightening torque for connections 58.8~78.5 6~8	19 mm 0.75 in.		12 mm 0.47 in.
3/8"	68.6~73.5 7.0~7.5	With O-ring Tightening torque for connections 78.5~98.1 8~10	23 mm 0.91 in.		15 mm 0.59 in.
1/2"	83.4~88.3 8.5~9.0	With O-ring Tightening torque for connections 117.7~137.3 12~14	26 mm 1.02 in.		16 mm 0.63 in.
3/4"	166.6~181.3 17.0~18.5				

### Tightening torque for elbow pipe joints with shim

Size	Nm	kgf•m
G1/8	15.0~16.5	1.5~1.7
G1/4	24.5~29.4	2.5~3.0
G3/8	49.0~53.9	5.0~5.5
G1/2	58.8~63.7	6.0~6.5
G3/4, G1	117.6~127.4	12.0~13.0
G1, 1/4	220.5~230.3	22.5~23.5
7/8-14UNF	55.9~60.8	5.7~6.2



# SAFETY INSPECTION

All safety inspections are based on the national worker's protection regulations, safety regulations and technical specifications applicable to the country where the machine is deployed.

The owner (operator) (page 16) should arrange for the safety inspections to be performed at specified intervals according to national rules and regulations.

Based on their technical training and experience, the qualified personnel should have sufficient knowledge in the domain of the machine described here and be familiar with the applicable national work safety regulations, accident prevention regulations and the generally accepted technical rules so that they can assess the safe condition of the machine.

The qualified person must keep his appraisal and evaluation neutral and must not be influenced by personal, economic or operational interests. The inspection is a visual and functional check of all components for condition and completeness and of the effectiveness of the safety devices.

The performance of the inspection must be documented as an inspection report containing at least the following information:

- Date and scope of the inspection indicating all pending checks,
- Result of the inspection with a report of the determined faults,
- Assessment in respect to starting or continuing operation,
- Information on necessary follow-up inspections and
- Name, address and signature of the inspector.

The owner/employer (company) is responsible for the observance of the inspection intervals. The acknowledgement and the elimination of the determined faults must be confirmed by the owner/employer in writing, along with the date, in the inspection report.

The inspection report must be kept on file at least until the next inspection.





# TAKING OUT OF SERVICE AND STORAGE

If the machine is taken out of service for up to six months, the measures before, during and after taking out of service must be carried out as described below. If the vehicle is to be taken out of service for a period of over six months, contact the manufacturer for additional measures.

## Safety rules for taking out of service and storage

The general safety rules (page 13), the safety rules for operation (page 73) and the safety rules for maintenance (page 171) apply.

When taking the machine out of service, secure it against unauthorised use.

## Storage conditions

The storage place must have a sufficient bearing capacity for the weight of the machine.

The storage place must be frost-free, dry and well ventilated.

## Measures before taking out of service

- Clean and dry the machine thoroughly (page 181).
- Check the hydraulic oil level, add hydraulic oil if necessary (page 86).
- Change the engine oil and oil filter (page 188).
- Drive the machine to the storage place.
- Remove the battery (page 207) and store it in a dry and frost-free room. If necessary, connect it to a trickle charger.
- Grease the swivel gear (page 208).
- Grease the pitch bearing (page 208).
- Grease all other greasing points (page 209).
- Grease the swing bracket (page 209).
- Grease the bucket bolt and bucket linkage bolt (page 87).
- Check the antifreeze content of the coolant, add coolant if necessary (page 182).
- Grease the hydraulic cylinder piston rods.

## Measures during taking out of service

- Charge the battery regularly (page 206).

### Start-up after taking out of service

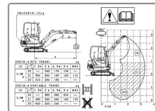
- If necessary, clean the machine thoroughly (page 181).
- Check the hydraulic oil for condensate water. Replace the oil if necessary (page 202).
- Remove the grease from the piston rods of the hydraulic cylinders.
- Install the battery (page 207).
- Check the safety devices for proper operation.
- Carry out the pre-operational services (page 83). If failures are detected during start-up, repair the failures before proceeding..
- If the safety inspection is due while the vehicle has been taken out of service, the inspection must be performed before start-up.
- Start the engine (page 96). Run the machine at idle and check all functions.

## LIFTING CAPACITY OF THE EXCAVATOR

### Constructive calculation of lifting capacity

- The lifting capacity of the excavator is based on ISO 10567 and does not exceed 75 % of the static tipping load or 87 % of the hydraulic lifting capacity of the machine.
- The lifting capacity is measured at the front pin part of the arm with the arm fully extended. The arm is fully in the dump position. The boom cylinder is the operating cylinder.
- The lifting conditions are:

1. Swivel up to 360°, dozer up and down



The position of the dozer is not relevant to the maximum lifting capacity when swivelling up to 360°. The illustration on the label is representative of both states: Dozer up and down.

2. Over front end, dozer down

3. Over front end, dozer up

- As well as the lifting conditions, the length of the arm also affects the permitted lifting capacities and the stability of the machine. Compare the dimensions of the machine arm with the details given in the lifting capacity tables, in order to use the correct lifting capacity table for your machine.



*Dimensions for the arm, see table "Design of arm" in the section "Dimensions" (page 44).*

### Lifting attachment

- The lifting operation is only permitted when the excavator is equipped with the following safety systems as per EN 474- 5:
  - Pipe safety valve on the boom cylinder (page 32)
  - Pipe safety valve on the arm cylinder (page 32)
  - Overload warning system (page 33)
- If the dozer is being used to increase the machine's stability, an additional pipe safety valve must be installed in accordance with EN 474-1 (page 33).
- The lifting attachment is to be fastened to the attachment or to other parts of the excavator in such a manner as to exclude the possibility of the lifting rope accidentally unhooking.
- The installation on the attachment or the equipment must be such as to guarantee the optimum field of vision between the operator and the guide [the person who fastens the lifting rope to the lifting attachment].
- The lifting attachment is to be positioned so that the lifting rope is not deflected from its vertical direction of tension by other parts of the machine.
- The lifting attachment must be formed and positioned in such a manner as to exclude the possibility of the lifting rope accidentally slipping.
- Care must be taken when positioning the lifting attachment that there is no risk of restriction (e.g. becoming caught on something) during normal operation of the excavator or when working on any particular object.

- Load suspensions (e.g. hooks) may only be welded on by suitably skilled personnel. For this type of work, please contact your KUBOTA dealer.
- At every point of the implement or the boom, the lifting attachment must withstand a load of two-and-a-half-times its rated lifting load.

### Load suspension device

Assumed is a load suspension device with all the characteristics listed below:

- The system must withstand a load two-and-a-half-times its rated lifting load, irrespective of the point at which that load is applied.
- The system must be designed in such a way as to practically prevent any objects that have been lifted from falling from the lifting attachment, for example by means of a protective attachment designed for this purpose.
- The system must not allow the lifting attachment to slip from the attachment being lifted.



*Do not lift loads which exceed the values indicated in the lifting capacity tables.*



*Always observe the maximum permissible lifting capacity of the hoisting gear (e.g. load hooks). The lifting of loads over the maximum permissible lifting capacity is not allowed.*



*The values given in the tables apply only to level and hard grounds. When working on soft ground, the machine can tip over easily, as the load is concentrated on one side only and the track or the dozer can dig into the ground.*



*The values given in the tables apply only for loads without bucket. If a bucket is used, the weight of the bucket must be subtracted from the values in the tables. The weight of mounted accessories (e.g. clamp kit, quick release coupling, etc.) must be subtracted from the lifting capacity.*



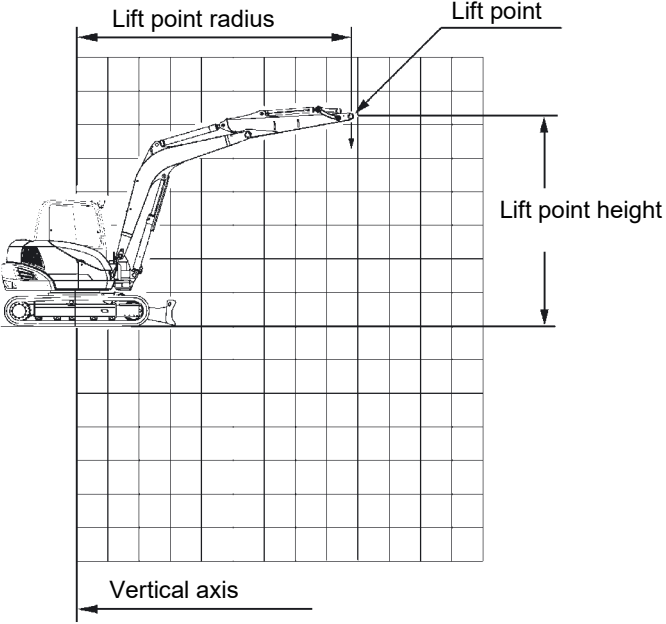
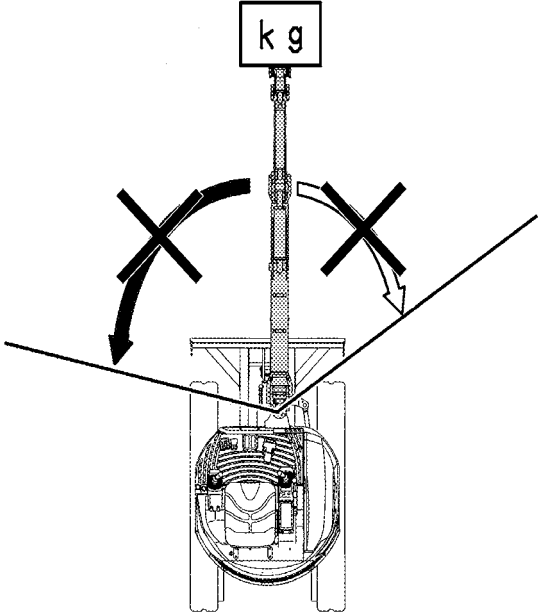
*During lifting operations, the boom may not be swung to the left or right. The entire machine could tilt! In order to avoid inadvertent actuation, lower the locking flap for the boom swing pedal.*



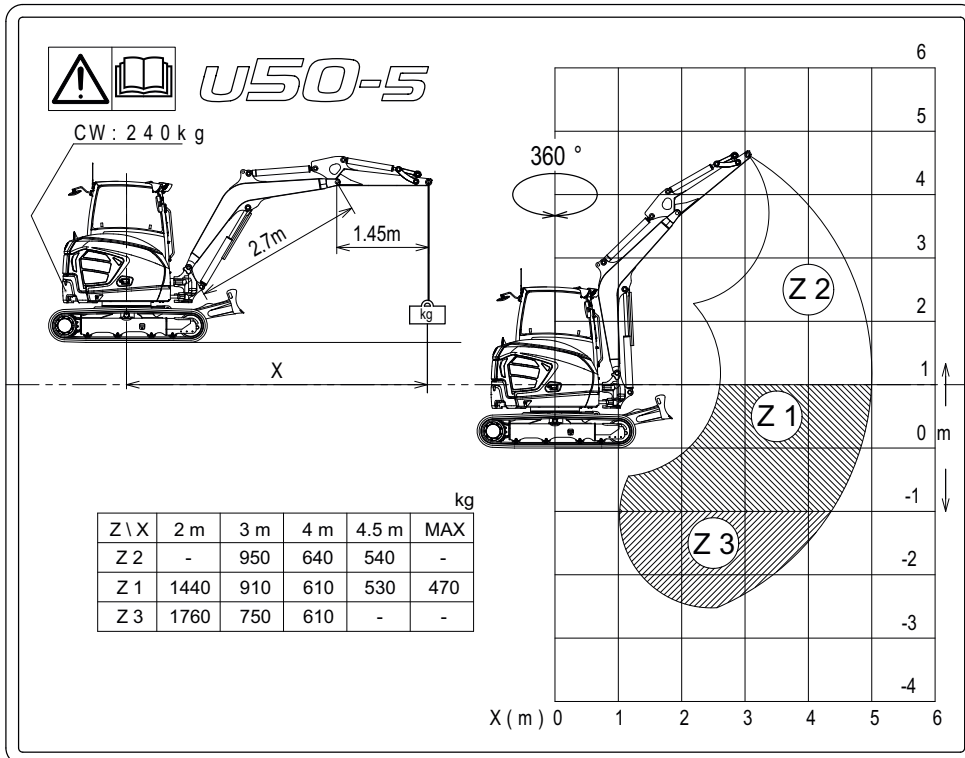
*During lifting operations the driving/moving of the crawler chassis is not permitted.*

Use utmost care to avoid any risk of tipping, slipping, or other potential risks implied when lifting loads. The operator must

- pick up the load at the centre,
- avoid sudden movements,
- make sure the load does not swing.



Max. lifting load during swivel operation is 360°



## Lifting capacity of the excavator

Lifting capacity over front end, dozer down, only with pipe safety valve on the dozer cylinder

MODEL	U50-5	SPEC.	CAB VERSION WITH RUBBER CRAWLER
			ARM 1450 mm

LIFT POINT HEIGHT [mm]	LIFT POINT RADIUS (mm)											kN (t)
	Mini-mum	1000	1500	2000	2500	3000	3500	4000	4500	5000	Maximum	
GL	4000								10.1 (1.03)			
	3500								10.1 (1.03)	10.2 (1.04)		
	3000							10.8 (1.10)	10.5 (1.07)	10.3 (1.05)	9.8 (1.00)	9.1 (0.93)
	2500								12.0 (1.22)	11.2 (1.15)	10.7 (1.09)	10.3 (1.06)
	2000					19.2 (1.96)	15.6 (1.59)	13.5 (1.38)	12.2 (1.24)	11.3 (1.15)	10.6 (1.08)	9.2 (0.94)
	1500					24.4 (2.49)	18.4 (1.87)	15.2 (1.55)	13.2 (1.35)	11.9 (1.21)	11.0 (1.12)	9.4 (0.96)
	1000					28.3 (2.88)	20.7 (2.12)	16.7 (1.70)	14.2 (1.45)	12.5 (1.28)	11.3 (1.15)	9.8 (1.00)
	500					24.8 (2.53)	22.3 (2.27)	17.8 (1.81)	14.9 (1.52)	13.0 (1.32)	11.5 (1.17)	10.3 (1.05)
	0				15.2 (1.55)	27.0 (2.75)	22.9 (2.33)	18.3 (1.87)	15.3 (1.56)	13.2 (1.34)	11.5 (1.17)	10.6 (1.08)
	-500	11.0 (1.12)	15.5 (1.58)	16.2 (1.66)	20.9 (2.13)	29.1 (2.97)	22.6 (2.31)	18.3 (1.87)	15.3 (1.56)	13.0 (1.33)	11.0 (1.13)	10.7 (1.09)
	-1000	16.5 (1.68)	20.3 (2.07)	22.1 (2.25)	27.5 (2.80)	27.4 (2.79)	21.7 (2.21)	17.7 (1.80)	14.7 (1.50)	12.4 (1.26)		
	-1500	17.4 (1.77)	25.6 (2.61)	28.6 (2.92)	32.3 (3.30)	24.8 (2.53)	19.9 (2.03)	16.3 (1.67)	13.5 (1.38)	10.8 (1.10)		
	-2000	20.0 (2.04)	31.8 (3.25)	36.4 (3.71)	26.9 (2.75)	21.1 (2.15)	17.1 (1.75)	14.0 (1.43)	11.0 (1.12)			
-2500			25.8 (2.63)	19.5 (1.99)	15.8 (1.61)	12.7 (1.30)						

Lifting capacity over front end, dozer up

MODEL	U50-5	SPEC.	CAB VERSION WITH RUBBER CRAWLER
			ARM 1450 mm

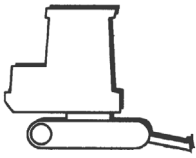
LIFT POINT HEIGHT [mm]	LIFT POINT RADIUS (mm)											kN (t)
	Mini-mum	1000	1500	2000	2500	3000	3500	4000	4500	5000	Maximum	
GL	4000								10.1 (1.03)			
	3500								10.1 (1.03)	8.9 (0.90)		
	3000							10.8 (1.10)	10.5 (1.07)	8.8 (0.90)	7.4 (0.75)	7.3 (0.75)
	2500								12.0 (1.22)	10.5 (1.07)	8.7 (0.89)	7.4 (0.75)
	2000					19.2 (1.96)	15.6 (1.59)	12.7 (1.29)	10.3 (1.05)	8.6 (0.88)	7.3 (0.74)	6.6 (0.67)
	1500					21.0 (2.14)	15.6 (1.59)	12.3 (1.26)	10.1 (1.03)	8.4 (0.86)	7.2 (0.73)	6.4 (0.65)
	1000					20.0 (2.04)	15.0 (1.54)	11.9 (1.22)	9.8 (1.00)	8.3 (0.84)	7.1 (0.72)	6.3 (0.64)
	500					19.5 (1.99)	14.6 (1.49)	11.7 (1.19)	9.6 (0.98)	8.1 (0.83)	7.0 (0.71)	6.4 (0.65)
	0				15.2 (1.55)	19.2 (1.96)	14.4 (1.47)	11.4 (1.17)	9.5 (0.97)	8.0 (0.82)	6.9 (0.71)	6.5 (0.66)
	-500	11.0 (1.12)	15.5 (1.58)	16.2 (1.66)	20.9 (2.13)	19.1 (1.95)	14.3 (1.45)	11.3 (1.16)	9.4 (0.96)	8.0 (0.81)	6.9 (0.70)	6.8 (0.69)
	-1000	16.5 (1.68)	20.3 (2.07)	22.1 (2.25)	27.5 (2.80)	19.2 (1.96)	14.2 (1.45)	11.3 (1.15)	9.3 (0.95)	7.9 (0.81)		
	-1500	17.4 (1.77)	25.6 (2.61)	28.6 (2.92)	29.5 (3.01)	19.3 (1.97)	14.3 (1.46)	11.3 (1.16)	9.4 (0.96)	8.0 (0.82)		
	-2000	20.0 (2.04)	31.8 (3.25)	36.4 (3.71)	26.9 (2.75)	19.5 (1.99)	14.4 (1.47)	11.4 (1.17)	9.5 (0.97)			
-2500			25.8 (2.63)	19.5 (1.99)	15.8 (1.61)	12.7 (1.30)						

Please note the model name and operating weight on the type plate (page 50).

Lifting capacity over front end, dozer down, only with pipe safety valve on the dozer cylinder

MODEL	U50-5	SPEC.	CAB VERSION STEEL CRAWLER
			ARM 1450 mm

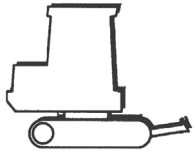
kN (t)

LIFT POINT HEIGHT [mm]	LIFT POINT RADIUS (mm)												
	Mini-mum	1000	1500	2000	2500	3000	3500	4000	4500	5000	Maximum		
GL	4000								10.1 (1.03)				
	3500								10.1 (1.03)	10.2 (1.04)			
	3000							10.8 (1.10)	10.5 (1.07)	10.3 (1.05)	9.8 (1.00)	9.1 (0.93)	
	2500								12.0 (1.22)	11.2 (1.15)	10.7 (1.09)	10.3 (1.06)	9.1 (0.93)
	2000						19.2 (1.96)	15.6 (1.59)	13.5 (1.38)	12.2 (1.24)	11.3 (1.15)	10.6 (1.08)	9.2 (0.94)
	1500						24.4 (2.49)	18.4 (1.87)	15.2 (1.55)	13.2 (1.35)	11.9 (1.21)	11.0 (1.12)	9.4 (0.96)
	1000						28.3 (2.88)	20.7 (2.12)	16.7 (1.70)	14.2 (1.45)	12.5 (1.28)	11.3 (1.15)	9.8 (1.00)
	500						24.8 (2.53)	22.3 (2.27)	17.8 (1.81)	14.9 (1.52)	13.0 (1.32)	11.5 (1.17)	10.3 (1.05)
	0					15.2 (1.55)	27.0 (2.75)	22.9 (2.33)	18.3 (1.87)	15.3 (1.56)	13.2 (1.34)	11.5 (1.17)	10.6 (1.08)
	-500		11.0 (1.12)	15.5 (1.58)	16.2 (1.66)	20.9 (2.13)	29.1 (2.97)	22.6 (2.31)	18.3 (1.87)	15.3 (1.56)	13.0 (1.33)	11.1 (1.13)	10.7 (1.09)
	-1000		16.5 (1.68)	20.3 (2.07)	22.1 (2.25)	27.5 (2.80)	27.4 (2.79)	21.7 (2.21)	17.7 (1.80)	14.7 (1.50)	12.4 (1.26)		
	-1500		17.4 (1.77)	25.6 (2.61)	28.6 (2.92)	32.3 (3.30)	24.8 (2.53)	19.9 (2.03)	16.3 (1.67)	13.5 (1.38)	10.8 (1.10)		
	-2000		20.0 (2.04)	31.8 (3.25)	36.4 (3.71)	26.9 (2.75)	21.1 (2.15)	17.1 (1.75)	14.0 (1.43)	11.0 (1.12)			
	-2500				25.8 (2.63)	19.5 (1.99)	15.8 (1.61)	12.7 (1.30)					

Lifting capacity over front end, dozer up

MODEL	U50-5	SPEC.	CAB VERSION STEEL CRAWLER
			ARM 1450 mm

kN (t)

LIFT POINT HEIGHT [mm]	LIFT POINT RADIUS (mm)												
	Mini-mum	1000	1500	2000	2500	3000	3500	4000	4500	5000	Maximum		
GL	4000								10.1 (1.03)				
	3500								10.1 (1.03)	9.1 (0.93)			
	3000							10.8 (1.10)	10.5 (1.07)	9.1 (0.93)	7.6 (0.78)	7.6 (0.77)	
	2500								12.0 (1.22)	10.8 (1.11)	9.0 (0.92)	7.6 (0.77)	7.1 (0.72)
	2000						19.2 (1.96)	15.6 (1.59)	13.1 (1.33)	10.6 (1.08)	8.9 (0.90)	7.5 (0.77)	6.8 (0.69)
	1500						21.6 (2.20)	16.1 (1.64)	12.7 (1.29)	10.4 (1.06)	8.7 (0.89)	7.4 (0.76)	6.6 (0.67)
	1000						20.6 (2.10)	15.5 (1.58)	12.3 (1.26)	10.1 (1.03)	8.5 (0.87)	7.3 (0.75)	6.5 (0.67)
	500						20.1 (2.05)	15.1 (1.54)	12.0 (1.23)	9.9 (1.01)	8.4 (0.86)	7.2 (0.74)	6.6 (0.67)
	0					15.2 (1.55)	19.8 (2.02)	14.8 (1.51)	11.8 (1.21)	9.8 (1.00)	8.3 (0.85)	7.2 (0.73)	6.7 (0.68)
	-500		11.0 (1.12)	15.5 (1.58)	16.2 (1.66)	20.9 (2.13)	19.8 (2.02)	14.7 (1.50)	11.7 (1.19)	9.7 (0.99)	8.2 (0.84)	7.1 (0.73)	7.0 (0.71)
	-1000		16.5 (1.68)	20.3 (2.07)	22.1 (2.25)	27.5 (2.80)	19.8 (2.03)	14.7 (1.50)	11.7 (1.19)	9.6 (0.98)	8.2 (0.84)		
	-1500		17.4 (1.77)	25.6 (2.61)	28.6 (2.92)	30.5 (3.11)	19.9 (2.02)	14.7 (1.51)	11.7 (1.19)	9.7 (0.99)	8.3 (0.85)		
	-2000		20.0 (2.04)	31.8 (3.25)	36.4 (3.71)	26.9 (2.75)	20.1 (2.05)	14.9 (1.52)	11.8 (1.21)	9.8 (1.00)			
	-2500				25.8 (2.63)	19.5 (1.99)	15.8 (1.61)	12.7 (1.30)					

Please note the model name and operating weight on the type plate (page 50).



## SOFTWARE INFORMATION

This product includes "Open Source Software" (OSS).

You must read and accept the terms and conditions of each license (OSS license).

This product includes OSS that is made available under the "GNU Lesser General Public License" (LGPL).

If you have purchased this product, you may reverse engineer the OSS to the extent that such OSS licenses are applied but only when you need to do so to use this software.

This product includes OSS that is made available under the "GNU General Public License" (GPL), LGPL, or the "Mozilla Public License 2.0" (MPL).

If you purchase this product, you may obtain, copy, modify and distribute the applicable source code under the OSS licenses.

The OSS license and source code is available at the following URL:

<https://www.kubota.com/products/opensource/index.html>

### Disclaimer

This product includes "Open Source Software", which is provided "as is".

KUBOTA and any third party that has the right to use OSS shall not be liable for any damages arising out of this software and its use or the inability to use it.







- U.S.A** : **KUBOTA TRACTOR CORPORATION**  
1000 Kubota Drive, Grapevine, TX 76051  
Telephone: 888-4KUBOTA
- Canada** : **KUBOTA CANADA LTD.**  
5900 14<sup>th</sup> Avenue, Markham, Ontario, L3S 4K4, Canada  
Telephone: (905)294-7477
- France** : **KUBOTA EUROPE S.A.S.**  
19-25, Rue Jules Vercreuysse, Z.I. BP88, 95101 Argenteuil Cedex, France  
Telephone: (33)1-3426-3434
- Italy** : **KUBOTA EUROPE S.A.S. Italy Branch**  
Via Grandi, 29 20068 Peschiera Borrome (MI) Italy  
Telephone: (39)02-51650377
- Germany** : **KUBOTA BAUMASCHINEN GmbH**  
Steinhauser Str. 100, 66482 Zweibrücken Germany  
Telephone: (49)6332-4870100
- U.K.** : **KUBOTA (U.K.) LTD.**  
Dormer Road, Thame, Oxfordshire, OX9 3UN, U.K.  
Telephone: (44)1844-214500
- Australia** : **KUBOTA TRACTOR AUSTRALIA PTY LTD.**  
25-29 Permas Way, Truganina, VIC 3029, Australia  
Telephone: (61)-3-9394-4400
- Malaysia** : **SIME KUBOTA SDN. BHD.**  
No.3 Jalan Sepadu 25/123 Taman Perindustrian Axis,  
Seksyen 25, 40400 Shah Alam, Selangor Darul Ehsan Malaysia  
Telephone: (60)3-736-1388
- Philippines** : **KUBOTA PHILIPPINES, INC.**  
232 Quirino Highway, Baesa, Quezon City 1106, Philippines  
Telephone: (63)2-422-3500
- Taiwan** : **SHIN TAIWAN AGRICULTURAL MACHINERY CO., LTD.**  
16, Fengping 2<sup>nd</sup> Rd, Taliang Shiang Kachsiung 83107, Taiwan R.O.C.  
Telephone: (886)7-702-2333
- Thailand** : **SIAM KUBOTA CORPORATION CO., LTD.**  
101/19-24 Moo 20, Navanakorn Industrial Estate, Tambon Khlongnueng,  
Amphur Khlongluang, Pathumthani 12120, Thailand  
Telephone: (66)2-909-0300
- Japan** : **KUBOTA CORPORATION**  
Farm & Industrial Machinery International Operations Headquarters  
2-47, Shikitsuhashi 1-chome, Naniwa-ku, Osaka, Japan 556-8601