

ZAXIS-6 series

HITACHI

Reliable solutions

# ZAXIS140W



## HYDRAULIC EXCAVATOR

Model code : ZX140W-6

Engine rated power : 105 kW (ISO14396)

Operating weight : 14 600 – 16 900 kg

Bucket ISO heaped : 0.19 – 0.66 m<sup>3</sup>

# ZX140W-6. NO COMPROMISE

The ZX140W-6 incorporates unique industry-leading Hitachi technology, but without compromising on its user-friendly appeal. The result is the ultimate universal working machine, exceptionally versatile, and easy to use and manoeuvre around a variety of job sites.

Hitachi wheeled excavators have built upon the success of the company's crawler models, sharing the same qualities of high-quality engineering, reliability and durability. The ZX140W-6 offers excellent stability, powerful travel and swing forces, and impressive lifting capacity.



6. A RECORD FOR RELIABILITY



8. DEFINITION OF DURABILITY



10. INCREDIBLE VERSATILITY



12. UNQUESTIONABLE QUALITY



14. STRENGTH IN TECHNOLOGY

# DEMAND PERFECTION

Designed with more than 100 updates, from tiny seals and O-rings to the reinforcement of the upper structure, boom and arm system, and incorporating new engines with Stage IV technology, the ZX140W-6 has been developed to perfection.

All of these improvements – large and small – combine to provide greater durability, better performance and increased efficiency, with the overall aim being to lower the total cost of ownership.



### High quality

Only the best design elements and materials.



### Incredible versatility

Tilt and rotary tilt modes complete the attachment support system.



### Lifetime reliability

Reliable components help to prevent oil leaks.



### Ultimate durability

Solid and reliable undercarriage, modular in design.





**Optimum performance**

Remote monitoring with Global e-Service online application.



**User-friendly**

Easily accessible cab with step and wide entry.



**Low emissions**

SCR and DPF systems reduce exhaust gas emissions.



**Enhanced productivity**

9% higher productivity thanks to new larger engine.



**Easy maintenance**

Convenient and wide-opening engine cover.



**Excellent efficiency**

HIOS IV system reduces total hydraulic loss.



**Improved travel speed**

35% faster acceleration (0-30km/hr).



“ *The most impressive attribute of the ZX140W is its reliability* ”

János Rozsnyai, Chief Engineer, Duna Aszfalt

## A RECORD FOR RELIABILITY

Hitachi has a proven track record for manufacturing reliable machines. Like all Zaxis-6 wheeled excavators, the ZX140W-6 is renowned for its optimum levels of performance and availability. It will operate with exceptional efficiency across a variety of job sites – all day, every day – and is easy to maintain to minimise downtime.

### **Easy maintenance**

The lightweight split-type engine hood opens widely for convenience. It provides easy access to the engine compartment and after-treatment device for routine maintenance.

### **User-friendly fuel filter**

The main fuel filter screws into place on the ZX140W-6. This makes it easier to replace and ensures that dust is prevented from entering the fuel circuit during routine maintenance procedures.

### **More efficient cooling**

The expansion tank is mounted on top of the engine's cooling system. This revised position means that the air can be completely removed and prevents the engine parts from overheating.

### **Durable hydraulic connection**

A rubber hose fitted with a flange has been incorporated into the design of the hydraulic return pipes. These enhance the reliability of the system and reduce the risk of oil leaks.



Easy access to the engine compartment.



The main fuel filter is easier to replace.



The expansion tank prevents engine parts from overheating.



Large blade cylinder cover offers greater protection.



High ground clearance reduces damage from obstacles.





**i** The Zaxis-6 prototype was tested extensively in six countries: The Netherlands, Belgium, Germany, Norway, Sweden and Italy.



## DEFINITION OF DURABILITY

The most important factor for users and owners of construction equipment is that it works, every time. High levels of availability are linked to the durability of the ZX140W-6, which has been designed with robust features and components to operate reliably, even in difficult working environments.



### Strong front attachment

The brackets on the boom end and foot are equipped with bushings to withstand working for long periods in tough environments. The robust chassis adds to the durability of the ZX140W-6.

reinforced. This enhances the reliability of both components.

### High ground clearance

The ZX140W-6 utilises an integrated transmission axle for efficient power transmission. The transmission unit is also installed over the axle to reduce damage caused by hitting unexpected obstacles.



### Greater protection

The blade cylinder cover is larger on the ZX140W-6 than the previous model. The outrigger's cylinder cover has also been

Reinforced for safer working environment.





“ *The cab is spacious, quiet and the visibility is excellent* ”

Daniel Karlsson, operator, Transschakt

## INCREDIBLE VERSATILITY

The ZX140W-6 is ideal for working in urban areas, particularly on roads and surfaces that can be damaged by crawler excavators. This popular model among the wheeled excavator range can be used for smaller tasks in a supporting role on bigger sites, but is also versatile enough to be the primary machine for smaller companies.

### Greater flexibility

The rotary tilt and tilt modes are included within the attachment support system on the ZX140W-6. These and nine other modes can be registered on the monitor for the easy fitment of attachments to increase versatility.

### Power boost

The tried-and-tested power-boost feature has 10% more capacity than the ZX140W-3. This increases the capability of the ZX140W-6 to deliver an enhanced level of excavating performance and lifting power.

### Reduced maintenance

The counterweight has been redesigned and features LEDs in the tail lights. These not only provide better visibility in poor light, but also require less maintenance, which helps to reduce costs.

### Excellent visibility

The cab of the Zaxis-6 wheeled excavator offers excellent visibility. It features a small steering column and a monitor positioned within the right pillar, so not to obscure the operator's view of the job site.



Two tilt modes add to the versatility of the ZX140W-6.



Power boost has 10% more capacity.



LED tail lights are easily maintained.



Superior weather resistance maintains the cab's internal appearance.



Urea is injected into the exhaust gas to reduce emissions.

**i** Comments from customers and Hitachi personnel are reported at monthly product improvement meetings, held at Tsuchiura Works in Japan, to help maintain quality standards.



# UNQUESTIONABLE QUALITY

The inherent quality of the ZX140W-6 is evident from its exceptional performance on the job site and reflected by the superior materials used in the cab. It is also guaranteed as every model is rigorously checked before delivery for the highest possible standards of safety and reliability.



Ergonomic controls contribute to the ultimate workspace.

## Superior cooling performance

The upper structure benefits from high-quality sealant (around the cooling package) and acoustic materials to eliminate any deterioration caused by heat. These ensure the long-term cooling and low-noise acoustic performance of the ZX140W-6.

## Excellent weather resistance

The in cab console has been sculpted in highly durable AES-grade resin. This ensures superior weather resistance and ultimately prevents the sun's ultraviolet rays from damaging the console.

## Reduced emissions

Hitachi has developed a selective catalytic reduction (SCR) system that injects urea into exhaust gas to reduce nitrogen oxide from emissions. This cutting-edge

technology not only helps the environment, but also complies with EU Stage IV emission regulations. The ZX140W-6 is also fitted with a DPF system that further reduces exhaust gas emissions.

## Ultimate comfort

A fully adjustable seat, spacious cab, ergonomic controls and advanced music system all contribute to the ultimate working environment.

## Safety at work

The ZX140W-6 has been fitted with a high-spec rollover protective structure-compliant (ROPS) and centre pillar reinforced structure (CRES V) cab. The pressurised cab is designed to protect the operator from the penetration of dust and potential job site risks.



*“ Zaxis-6 wheeled excavators are designed specifically for European customers ”*

Burkhard Janssen, General Manager Product Management & Engineering, Hitachi Construction Machinery (Europe) NV

## STRENGTH IN TECHNOLOGY

The ZX140W-6 is a typical example of Hitachi's advanced technological approach to meet the needs of the construction industry with its reliable solutions. The innovative wheeled excavator incorporates several technological features designed to enhance efficiency, improve performance and reduce the total cost of ownership.

### **Greater productivity**

The ZX140W-6 is equipped with a powerful new engine, which helps to boost productivity by 9% with the same level of fuel consumption as the Zaxis-5 model. HIOS IV technology reduces hydraulic loss, which results in excellent efficiency.

### **User-friendly functionality**

A large seven-inch multi-function LCD monitor provides a wide range of useful technical information. With multi-lingual support in up to 32 languages, it enables operators to check the machine's status and settings at a glance.

### **Remote monitoring**

Global e-Service allows owners to monitor their fleets remotely via Owner's Site (24/7 online access) and ConSite (an automatic monthly report). These help to maximise efficiency, minimise downtime and improve overall performance.

### **Fewer emissions**

The ZX140W-6 has a diesel oxidation catalyst (DOC), urea mixing pipe, SCR system and silencer, as well as a DPF. This advanced technology helps to reduce emissions and noise levels.

### **Advanced audio system**

The AM/FM radio is accessible from the monitor and an auxiliary socket – for devices such as MP3 players – is linked to the sound system. This choice of entertainment helps to provide an enjoyable – and productive – working environment.



9% increase in productivity thanks to the new larger engine.



The LCD monitor shows the machine's status and settings.



The SCR system reduces emissions and noise levels.



“ *The total cost of ownership is of maximum benefit to our company* ”

Peter Kögel, Member of the Management Board,  
Kögel Bau GmbH & Co. KG

## REDUCING THE TOTAL COST OF OWNERSHIP



Hitachi has created the Support Chain after-sales programme to ensure optimum efficiency, as well as minimal downtime, reduced running costs and high resale values.

### Global e-Service

Hitachi has developed two remote monitoring systems as part of its Global e-Service online application. Owner's Site and ConSite are an integral part of the excavator, which sends operational data daily via GPRS or satellite to [www.globaleservice.com](http://www.globaleservice.com). This allows immediate access to the Owner's Site, and the vital information that is required for support on job sites.

Comparing the ratio of operating and non-operating hours helps to enhance efficiency. Effective management of maintenance programmes helps to

maximise availability. Running costs can also be managed by analysing the fuel consumption. The location and movements of each machine are clearly displayed for essential planning.

An automatic service report – ConSite – sends a monthly email summarising the information from Global e-Service for each machine. This includes: daily working hours and fuel consumption data; statistics on the operating mode ratio, plus a comparison for fuel consumption/efficiency, and CO<sub>2</sub> emissions.

### Technical support

Each Hitachi service technician receives full technical training from HCME in Amsterdam. These sessions provide access to the same technical knowledge available within the Hitachi quality assurance departments and design centres. Technicians combine this global expertise with the local language and culture of the customer to provide the highest level of after-sales support.

### Extended warranty and service contracts

Every new Hitachi Zaxis-6 model is covered by a full manufacturer's warranty. For





Global e-Service



Technical support



Hitachi Parts

extra protection – due to severe working conditions or to minimise equipment repair costs – Hitachi dealers offer a unique extended warranty called HELP (Hitachi Extended Life Program) and comprehensive service contracts. These can help to optimise the performance of each machine, reduce downtime and ensure higher resale values.

## Parts

Hitachi offers a wide range and a high availability of parts dispatched from the

53,000 m<sup>2</sup> HCME European Parts Depot in The Netherlands.

- Hitachi Genuine Parts: allow machines to work for longer, with lower running and maintenance costs.
- Hitachi Select Parts and 2Genuine Parts: especially for older machines, they cost less, are of proven quality and come with the manufacturer's warranty.

- Performance Parts: to cope with highly demanding conditions, they have been engineered for greater durability, better performance or longer life.
- Remanufactured components: offering an economically viable solution, they are the best option when preventative replacements are required.

Whatever the choice, the renowned quality of Hitachi construction machinery is assured.



EH dump trucks



EX ultra-large excavators



ZW wheel loaders



“ We develop construction machinery that contributes to the creation of affluent and comfortable societies ”

Yuichi Tsujimoto, HCM President

## BUILDING A BETTER FUTURE

Established in 1910, Hitachi, Ltd. was built upon a founding philosophy of making a positive contribution to society through technology. This is still the inspiration behind the Hitachi group's reliable solutions that answer today's challenges and help to create a better world.

Hitachi, Ltd. is now one of the world's largest corporations, with a vast range of innovative products and services. These have been created to challenge convention, improve social infrastructure and contribute to a sustainable society.

Hitachi Construction Machinery Co., Ltd. (HCM) was founded in 1970 as a subsidiary of Hitachi, Ltd. and has become one of the world's largest construction equipment suppliers. A pioneer in producing hydraulic excavators, HCM also manufactures wheel loaders, rigid dump trucks, crawler cranes and special application machines at state-of-the-art facilities across the globe.

Incorporating advanced technology, Hitachi construction machinery has a reputation for the highest quality standards. Suitable for a wide range of industries, it is always

hard at work around the world – helping to create infrastructure for a safe and comfortable way of living, developing natural resources and supporting disaster relief efforts.

Hitachi Zaxis excavators are renowned for being reliable, durable and versatile – capable of delivering the highest levels of productivity under the most challenging of conditions. They are designed to provide owners with a reduced total cost of ownership, and operators with the ultimate level of comfort and safety.



Mini excavators

# SPECIFICATIONS

## ENGINE

Model .....	DEUTZ TCD4.1L4
Type .....	4-cycle water-cooled, common rail direct injection
Aspiration .....	Turbocharged with waste gate, intercooled, cooled EGR
Aftertreatment .....	DOC and DPF and SCR system
No. of cylinders .....	4
Rated power	
ISO 14396 .....	105 kW at 2 000 min <sup>-1</sup>
ISO 9249, nett .....	100 kW at 2 000 min <sup>-1</sup>
SAE J1349, net .....	100 kW at 2 000 min <sup>-1</sup>
Maximum torque .....	550 Nm at 1 600 min <sup>-1</sup>
Piston displacement .....	4.038 L
Bore and stroke .....	101.0 mm x 126.0 mm
Batteries .....	2 x 12 V / 93 Ah

## HYDRAULIC SYSTEM

### Hydraulic Pumps

Main pumps .....	2 variable displacement axial piston pumps
Maximum oil flow .....	2 x 117 L/min
Pilot pump .....	1 gear pump
Maximum oil flow .....	23.4 L/min
Steering pump .....	1 gear pump
Maximum oil flow .....	23.5 L / min

### Hydraulic Motors

Travel .....	1 variable displacement axial piston motor
Swing .....	1 axial piston motor

### Relief Valve Settings

Implement circuit .....	34.3 MPa
Swing circuit .....	32.4 MPa
Travel circuit .....	35.3 MPa
Pilot circuit .....	3.9 MPa
Power boost .....	36.3 MPa

### Hydraulic Cylinders

	Quantity	Bore	Rod diameter
Boom (Monoblock boom)	2	105 mm	70 mm
Boom * (2-piece boom)	2	105 mm	75 mm
Arm	1	115 mm	80 mm
Bucket	1	100 mm	70 mm
Positioning *	1	145 mm	90 mm

\* : For 2-piece boom

## UPPERSTRUCTURE

### Revolving Frame

D-section frame for resistance to deformation.

### Swing Device

Axial piston motor with planetary reduction gear is bathed in oil. Swing circle is single-row. Swing parking brake is spring-set/hydraulic-released disc type.

Swing speed .....	11.9 min <sup>-1</sup>
Swing torque .....	34 kNm

### Operator's Cab

Independent spacious cab, 1 005 mm wide by 1 675 mm high, conforming to ISO\* Standards.

\* International Organization for Standardization

## UNDERCARRIAGE

Wheeled type undercarriage. The frame is of welded, stress-relieved structure.

Drive system: 2 speed power shift transmission and variable displacement axial piston type travel motor.

Travel speed (forward and reverse)

Creeper speed range .....	0 to 2.2 km / h
Low speed range .....	0 to 2.7 km / h : Rear blade only spec
High speed range .....	0 to 8.6 km / h
Maximum traction force .....	0 to 35 km / h
Gradeability .....	102 kN
Min. turning radius.....	74 kN : Rear blade only spec
Axle:	70% (35 degree)
All-wheel drive.	50% (26 degree) : Rear blade only spec
The front axle can be locked hydraulically in any position.	6 800 mm
Oscillating front axle.....	6 600 mm : Rear blade only spec
Brakes system:	
Maintenance free wet-disc brakes on axle are standard.	
Fully hydraulic service brake system	

7°

± 7°

## SOUND LEVEL

Sound level in cab according to ISO 6396 .....	LpA 71 dB(A)
External sound level according to ISO 6395 and EU Directive 2000/14/EC .....	LwA 100 dB(A)

## SERVICE REFILL CAPACITIES

Fuel tank .....	250.0 L
Engine coolant .....	22.7 L
Engine oil .....	11.5 L
Swing device .....	6.2 L
Transmission .....	2.5 L
Front differential gear (STD axle / Rear blade spec axle) .....	9.1 L / 9.0 L
Rear differential gear (STD axle / Rear blade spec axle).....	11.8 L / 11.2 L
Hub reduction gear	
Front axle (STD axle / Rear blade spec axle) .....	2 x 2.5 L / 2 x 2.4 L
Rear axle (STD axle / Rear blade spec axle) .....	2 x 2.5 L / 2 x 2.4 L
Hydraulic system .....	177.0 L
Hydraulic tank .....	84.0 L
DEF/AdBlue® tank .....	26.0 L

## WEIGHTS

### Operating Weight

Arm length	Stabilization	Monoblock	2-Piece
		kg	kg
2.10 m	Rear Blade	14 600	15 000
	Rear Outrigger	15 300	15 600
	Outrigger and Blade	16 100	16 500
	Front and Rear Outrigger	16 400	16 700
2.52 m	Rear Blade	14 700	15 100
	Rear Outrigger	15 300	15 700
	Outrigger and Blade	16 100	16 500
	Front and Rear Outrigger	16 400	16 800
3.01 m	Rear Blade	14 800	15 100
	Rear Outrigger	15 400	15 700
	Outrigger and Blade	16 200	16 600
	Front and Rear Outrigger	16 500	16 900

Including 0.50 m<sup>3</sup> (ISO heaped), bucket weight (420 kg) and counterweight (2 800 kg).

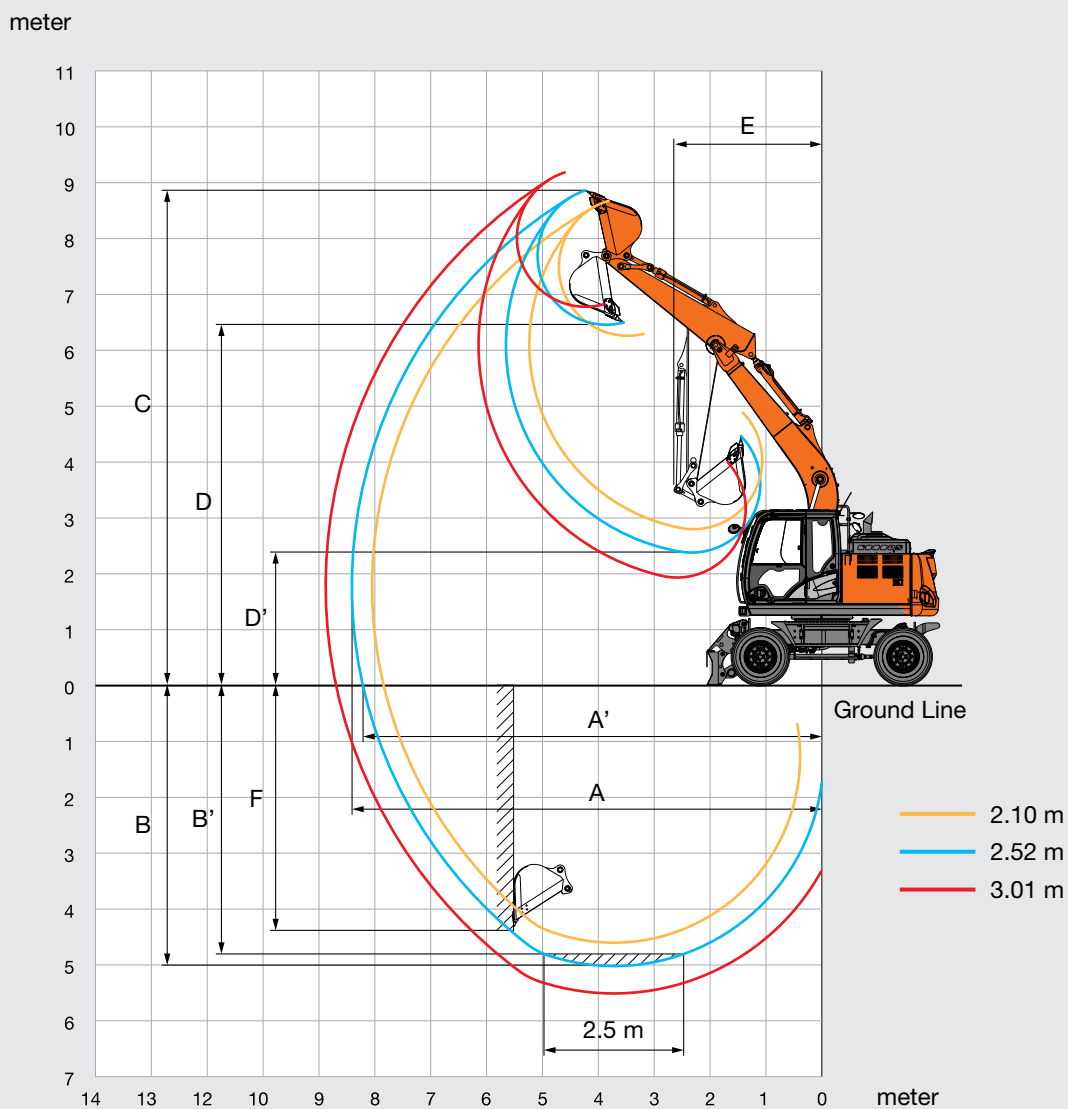
## BUCKET AND ARM DIGGING FORCE

Arm length	ZAXIS 140W		
	2.10 m	2.52 m	3.01 m
Bucket digging force* ISO	104 kN		
Bucket digging force* SAE : PCSA	91 kN		
Arm crowd force* ISO	77 kN	69 kN	61 kN
Arm crowd force* SAE : PCSA	74 kN	67 kN	60 kN

\* At power boost

# SPECIFICATIONS

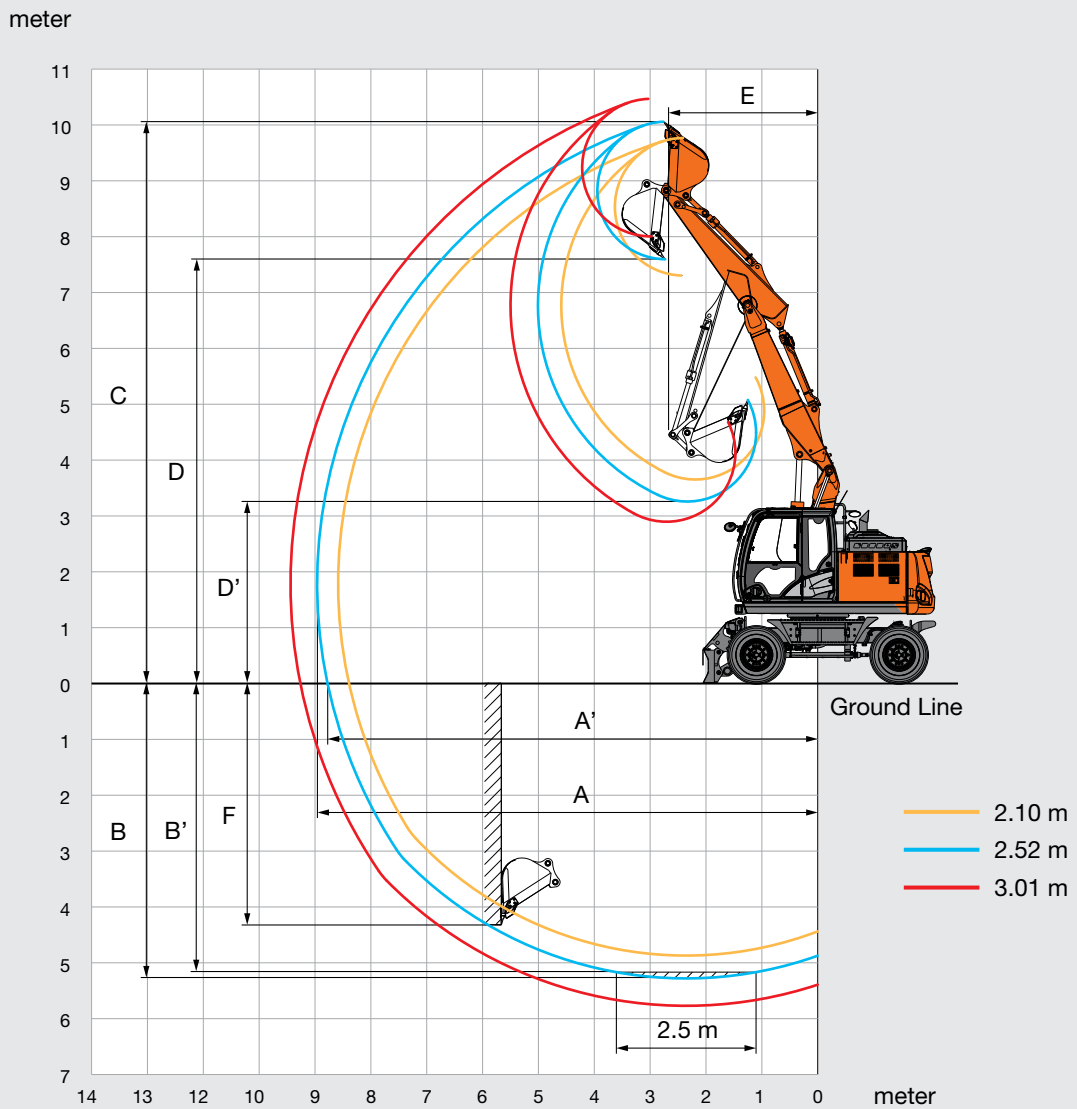
## WORKING RANGES: MONOBLOCK BOOM



Unit: mm

	ZAXIS 140W		
	Monoblock boom		
Arm length	2.10 m	2.52 m	3.01 m
A Max. digging reach	8 040	8 410	8 870
A' Max. digging reach (on ground)	7 840	8 210	8 690
B Max. digging depth	4 610	5 030	5 520
B' Max. digging depth for 2.5 m level	4 380	4 830	5 340
C Max. cutting height	8 660	8 850	9 160
D Max. dumping height	6 240	6 440	6 760
D' Min. dumping height	2 790	2 370	1 920
E Min. swing radius	2 610	2 650	2 910
F Max. vertical wall digging depth	4 110	4 520	4 990

## WORKING RANGES: 2-PIECE BOOM



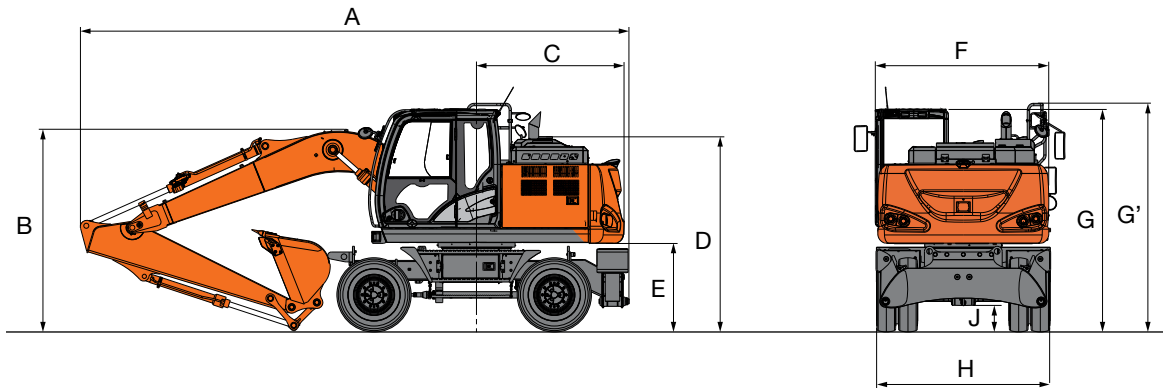
Unit: mm

	ZAXIS 140W		
	2-Piece boom		
Arm length	2.10 m	2.52 m	3.01 m
A Max. digging reach	8 580	8 960	9 430
A' Max. digging reach (on ground)	8 390	8 780	9 260
B Max. digging depth	4 870	5 290	5 770
B' Max. digging depth for 2.5 m level	4 760	5 180	5 670
C Max. cutting height	9 750	10 040	10 450
D Max. dumping height	7 290	7 570	7 990
D' Min. dumping height	3 640	3 250	2 890
E Min. swing radius	2 520	2 670	3 040
F Max. vertical wall digging depth	3 970	4 330	4 790

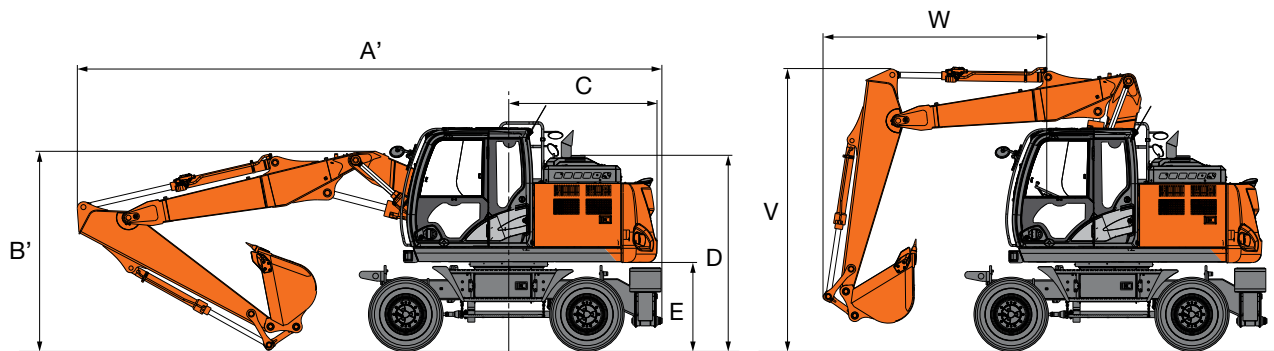
# SPECIFICATIONS

## DIMENSIONS

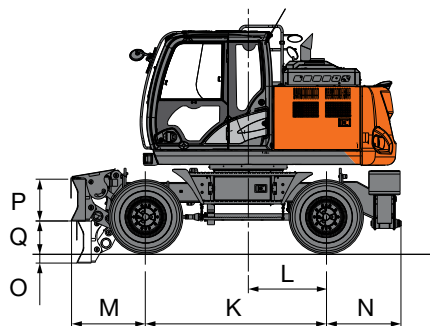
### MONOBLOCK BOOM



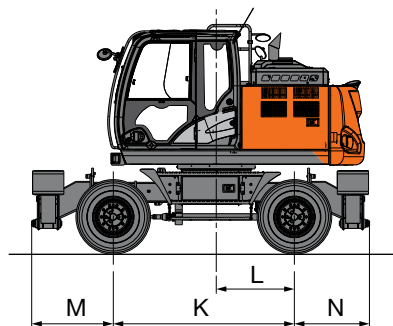
### 2-PIECE BOOM



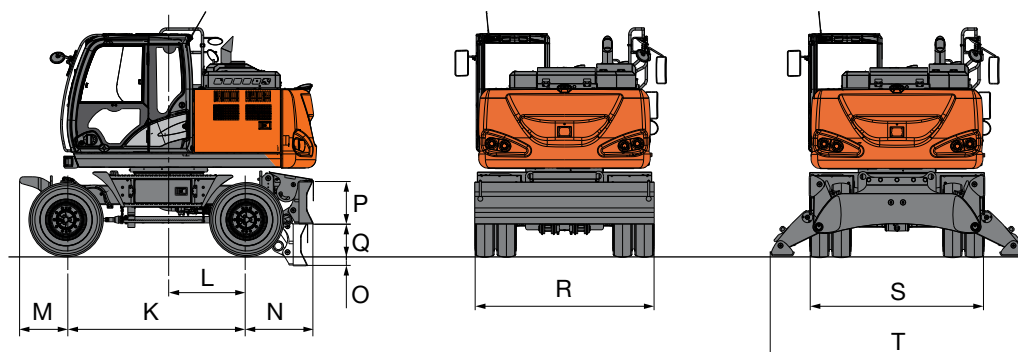
### FRONT BLADE AND REAR OUTRIGGER



### FRONT AND REAR OUTRIGGER



### REAR BLADE





## DIMENSIONS

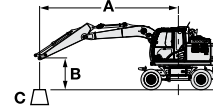
Unit: mm

		Rear BL	Rear O/R	Front BL Rear O/R	Front O/R Rear BL	Front and Rear O/R
A	Overall length (with monoblock boom)					
	Arm 2.10 m	7 690	7 730	7 690	7 730	7 730
	Arm 2.52 m	7 730	7 770	7 730	7 770	7 770
	Arm 3.01 m	7 710	7 750	7 710	7 750	7 750
A'	Overall length (with 2-piece boom)					
	Arm 2.10 m	8 190	8 230	8 190	8 230	8 230
	Arm 2.52 m	8 200	8 240	8 200	8 240	8 240
	Arm 3.01 m	8 170	8 210	8 170	8 210	8 210
B	Overall height of boom (with monoblock boom)					
	Arm 2.10 m			2 860		
	Arm 2.52 m			2 950		
	Arm 3.01 m			3 240		
B'	Overall height of boom (with 2-piece boom)					
	Arm 2.10 m			3 000		
	Arm 2.52 m			3 110		
	Arm 3.01 m			3 350		
C	Rear-end swing radius			2 120		
D	Engine cover height			2 710		
E	Counterweight clearance			1 215		
F	Overall width of upper structure			2 480		
G	Overall height of cabin			3 130		
G'	Overall height of handrail			3 220		
H	Overall width tires	2 550		2 490		
J	Min. ground clearance	300	320	300		320
K	Wheel base			2 550		
L	Swing-centre to rear axle			1 100		
M	Front overhang	655		1 055		1 150
N	Rear overhang	945	1 060		965	1 060
O	Max. blade lower	145	–	145		–
P	Height of blade	590	–	590		–
Q	Max. blade raise	445	–	445		–
R	Overall width of blade	2 530	–	2 530		–
S	Overall width of O/R retract	–		2 470		
T	Overall width O/R extend	–		3 380		
V	Overall height of boom (travelling)					
	Arm 2.10 m			4 000		
	Arm 2.52 m			4 000		
	Arm 3.01 m			3 750		
W	Front overhang (travelling)					
	Arm 2.10 m			2 870		
	Arm 2.52 m			3 090		
	Arm 3.01 m			4 890		

Transportation dimensions are A (A') , B (B') , H (without blade) or A (A') , B (B') , R (with blade).

# LIFTING CAPACITIES

- Notes:
1. Ratings are based on ISO 10567.
  2. Lifting capacity does not exceed 75% of tipping load with the machine on firm, level ground or 87% full hydraulic capacity.
  3. The load point is the center-line of the bucket pivot mounting pin on the arm.
  4. \*Indicates load limited by hydraulic capacity.
  5. Each value with Rear blade up over the Front-axle side and each value with Rear blade down over the Rear-axle side respectively, and value in optimal position with positioning cylinder.
  6. 0 m = Ground.









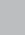

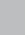

A: Load radius  
B: Load point height  
C: Lifting capacity

For lifting capacities, subtract bucket and quick hitch weight from lifting capacities without bucket.

**ZAXIS 140W MONOBLOCK BOOM, ARM 2.52 M, 2 800 KG COUNTERWEIGHT** Rating over-front or rear Rating over-side or 360 degrees Unit : kg

Stabilization		Load radius								At max. reach		
		1.5 m		3.0 m		4.5 m		6.0 m				meter
6.0 m	Rear blade up (over front)					*3 560	*3 560			*2 440	*2 440	5.73
	Rear blade down (over rear)					*3 560	*3 560			*2 440	*2 440	
	Rear outrigger down (over rear)					*3 560	*3 560			*2 440	*2 440	
	Front outrigger and rear blade down (over rear)					*3 560	*3 560			*2 440	*2 440	
	Front blade and rear outrigger down (over rear)					*3 560	*3 560			*2 440	*2 440	
	4 outrigger down (over rear)					*3 560	*3 560			*2 440	*2 440	
4.5 m	Rear blade up (over front)					*3 950	3 600	*3 730	2 310	*2 310	1 960	6.61
	Rear blade down (over rear)					*3 950	*3 950	*3 730	2 620	*2 310	2 230	
	Rear outrigger down (over rear)					*3 950	*3 950	*3 730	3 150	*2 310	*2 310	
	Front outrigger and rear blade down (over rear)					*3 950	*3 950	*3 730	*3 730	*2 310	*2 310	
	Front blade and rear outrigger down (over rear)					*3 950	*3 950	*3 730	*3 730	*2 310	*2 310	
	4 outrigger down (over rear)					*3 950	*3 950	*3 730	*3 730	*2 310	*2 310	
3.0 m	Rear blade up (over front)			*7 130	6 180	*4 900	3 400	3 690	2 230	*2 330	1 730	7.07
	Rear blade down (over rear)			*7 130	*7 130	*4 900	3 890	*4 070	2 550	*2 330	1 980	
	Rear outrigger down (over rear)			*7 130	*7 130	*4 900	4 730	*4 070	3 070	*2 330	*2 330	
	Front outrigger and rear blade down (over rear)			*7 130	*7 130	*4 900	*4 900	*4 070	3 890	*2 330	*2 330	
	Front blade and rear outrigger down (over rear)			*7 130	*7 130	*4 900	*4 900	*4 070	4 010	*2 330	*2 330	
	4 outrigger down (over rear)			*7 130	*7 130	*4 900	*4 900	*4 070	*4 070	*2 330	*2 330	
1.5 m	Rear blade up (over front)					5 500	3 170	3 590	2 130	*2 480	1 650	7.17
	Rear blade down (over rear)					*5 920	3 660	*4 490	2 450	*2 480	1 890	
	Rear outrigger down (over rear)					*5 920	4 480	*4 490	2 970	*2 480	2 300	
	Front outrigger and rear blade down (over rear)					*5 920	5 790	*4 490	3 780	*2 480	*2 480	
	Front blade and rear outrigger down (over rear)					*5 920	*5 920	*4 490	3 910	*2 480	*2 480	
	4 outrigger down (over rear)					*5 920	*5 920	*4 490	*4 490	*2 480	*2 480	
0 m (Ground)	Rear blade up (over front)			*6 300	5 370	5 340	3 030	3 510	2 060	*2 820	1 700	6.94
	Rear blade down (over rear)			*6 300	*6 300	*6 480	3 510	*4 740	2 370	*2 820	1 950	
	Rear outrigger down (over rear)			*6 300	*6 300	*6 480	4 330	*4 740	2 900	*2 820	2 380	
	Front outrigger and rear blade down (over rear)			*6 300	*6 300	*6 480	5 620	*4 740	3 700	*2 820	*2 820	
	Front blade and rear outrigger down (over rear)			*6 300	*6 300	*6 480	5 830	*4 740	3 830	*2 820	*2 820	
	4 outrigger down (over rear)			*6 300	*6 300	*6 480	*6 480	*4 740	4 470	*2 820	*2 820	
-1.5 m	Rear blade up (over front)	*5 260	*5 260	*9 500	5 370	5 290	2 990	3 490	2 050	3 240	1 910	6.35
	Rear blade down (over rear)	*5 260	*5 260	*9 500	6 380	*6 340	3 470	*4 530	2 360	*3 510	2 200	
	Rear outrigger down (over rear)	*5 260	*5 260	*9 500	8 130	*6 340	4 280	*4 530	2 880	*3 510	2 680	
	Front outrigger and rear blade down (over rear)	*5 260	*5 260	*9 500	*9 500	*6 340	5 580	*4 530	3 690	*3 510	3 420	
	Front blade and rear outrigger down (over rear)	*5 260	*5 260	*9 500	*9 500	*6 340	5 790	*4 530	3 810	*3 510	*3 510	
	4 outrigger down (over rear)	*5 260	*5 260	*9 500	*9 500	*6 340	*6 340	*4 530	4 450	*3 510	*3 510	
-3.0 m	Rear blade up (over front)			*7 740	5 490	*5 250	3 050			*4 130	2 500	5.26
	Rear blade down (over rear)			*7 740	6 510	*5 250	3 540			*4 130	2 880	
	Rear outrigger down (over rear)			*7 740	*7 740	*5 250	4 350			*4 130	3 520	
	Front outrigger and rear blade down (over rear)			*7 740	*7 740	*5 250	*5 250			*4 130	*4 130	
	Front blade and rear outrigger down (over rear)			*7 740	*7 740	*5 250	*5 250			*4 130	*4 130	
	4 outrigger down (over rear)			*7 740	*7 740	*5 250	*5 250			*4 130	*4 130	

**ZAXIS 140W MONOBLOCK BOOM, ARM 2.52 M, 3 100 KG COUNTERWEIGHT**  Rating over-front or rear  Rating over-side or 360 degrees Unit : kg

Stabilization		Load radius								At max. reach		
		1.5 m		3.0 m		4.5 m		6.0 m				meter
												
6.0 m	Rear blade up (over front)					*3 560	*3 560			*2 440	*2 440	5.73
	Rear blade down (over rear)					*3 560	*3 560			*2 440	*2 440	
	Rear outrigger down (over rear)					*3 560	*3 560			*2 440	*2 440	
	Front outrigger and rear blade down (over rear)					*3 560	*3 560			*2 440	*2 440	
	Front blade and rear outrigger down (over rear)					*3 560	*3 560			*2 440	*2 440	
	4 outrigger down (over rear)					*3 560	*3 560			*2 440	*2 440	
4.5 m	Rear blade up (over front)					*3 950	3 780	*3 730	2 430	*2 310	2 070	6.61
	Rear blade down (over rear)					*3 950	*3 950	*3 730	2 760	*2 310	*2 310	
	Rear outrigger down (over rear)					*3 950	*3 950	*3 730	3 300	*2 310	*2 310	
	Front outrigger and rear blade down (over rear)					*3 950	*3 950	*3 730	*3 730	*2 310	*2 310	
	Front blade and rear outrigger down (over rear)					*3 950	*3 950	*3 730	*3 730	*2 310	*2 310	
	4 outrigger down (over rear)					*3 950	*3 950	*3 730	*3 730	*2 310	*2 310	
3.0 m	Rear blade up (over front)			*7 130	6 490	*4 900	3 570	3 850	2 350	*2 330	1 830	7.07
	Rear blade down (over rear)			*7 130	*7 130	*4 900	4 080	*4 070	2 680	*2 330	2 090	
	Rear outrigger down (over rear)			*7 130	*7 130	*4 900	*4 900	*4 070	3 220	*2 330	*2 330	
	Front outrigger and rear blade down (over rear)			*7 130	*7 130	*4 900	*4 900	*4 070	4 040	*2 330	*2 330	
	Front blade and rear outrigger down (over rear)			*7 130	*7 130	*4 900	*4 900	*4 070	*4 070	*2 330	*2 330	
	4 outrigger down (over rear)			*7 130	*7 130	*4 900	*4 900	*4 070	*4 070	*2 330	*2 330	
1.5 m	Rear blade up (over front)					5 740	3 350	3 750	2 260	*2 480	1 750	7.17
	Rear blade down (over rear)					*5 920	3 850	*4 490	2 580	*2 480	2 000	
	Rear outrigger down (over rear)					*5 920	4 690	*4 490	3 120	*2 480	2 420	
	Front outrigger and rear blade down (over rear)					*5 920	*5 920	*4 490	3 940	*2 480	*2 480	
	Front blade and rear outrigger down (over rear)					*5 920	*5 920	*4 490	4 070	*2 480	*2 480	
	4 outrigger down (over rear)					*5 920	*5 920	*4 490	*4 490	*2 480	*2 480	
0 m (Ground)	Rear blade up (over front)			*6 300	5 670	5 580	3 210	3 670	2 190	*2 820	1 800	6.94
	Rear blade down (over rear)			*6 300	*6 300	*6 480	3 700	*4 740	2 510	*2 820	2 060	
	Rear outrigger down (over rear)			*6 300	*6 300	*6 480	4 540	*4 740	3 040	*2 820	2 500	
	Front outrigger and rear blade down (over rear)			*6 300	*6 300	*6 480	5 860	*4 740	3 860	*2 820	*2 820	
	Front blade and rear outrigger down (over rear)			*6 300	*6 300	*6 480	6 080	*4 740	3 990	*2 820	*2 820	
	4 outrigger down (over rear)			*6 300	*6 300	*6 480	*6 480	*4 740	4 650	*2 820	*2 820	
-1.5 m	Rear blade up (over front)	*5 260	*5 260	*9 500	5 680	5 530	3 170	3 650	2 170	3 390	2 030	6.35
	Rear blade down (over rear)	*5 260	*5 260	*9 500	6 720	*6 340	3 660	*4 530	2 490	*3 510	2 320	
	Rear outrigger down (over rear)	*5 260	*5 260	*9 500	8 510	*6 340	4 490	*4 530	3 020	*3 510	2 810	
	Front outrigger and rear blade down (over rear)	*5 260	*5 260	*9 500	*9 500	*6 340	5 810	*4 530	3 840	*3 510	*3 510	
	Front blade and rear outrigger down (over rear)	*5 260	*5 260	*9 500	*9 500	*6 340	6 030	*4 530	3 970	*3 510	*3 510	
	4 outrigger down (over rear)	*5 260	*5 260	*9 500	*9 500	*6 340	*6 340	*4 530	*4 530	*3 510	*3 510	
-3.0 m	Rear blade up (over front)			*7 740	5 800	*5 250	3 230			*4 130	2 650	5.26
	Rear blade down (over rear)			*7 740	6 850	*5 250	3 730			*4 130	3 040	
	Rear outrigger down (over rear)			*7 740	*7 740	*5 250	4 560			*4 130	3 690	
	Front outrigger and rear blade down (over rear)			*7 740	*7 740	*5 250	*5 250			*4 130	*4 130	
	Front blade and rear outrigger down (over rear)			*7 740	*7 740	*5 250	*5 250			*4 130	*4 130	
	4 outrigger down (over rear)			*7 740	*7 740	*5 250	*5 250			*4 130	*4 130	

**ZAXIS 140W 2-PIECE BOOM, ARM 2.52 M, 2 800 KG COUNTERWEIGHT**



Rating over-front or rear
















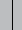
Rating over-side or 360 degrees

Unit : kg

Stabilization		Load radius										At max. reach		
		1.5 m		3.0 m		4.5 m		6.0 m		7.5 m		meter		
7.5 m	Rear blade up (over front)					*3 820	3 700					*2 840	*2 840	5.04
	Rear blade down (over rear)					*3 820	*3 820					*2 840	*2 840	
	Rear outrigger down (over rear)					*3 820	*3 820					*2 840	*2 840	
	Front outrigger and rear blade down (over rear)					*3 820	*3 820					*2 840	*2 840	
	Front blade and rear outrigger down (over rear)					*3 820	*3 820					*2 840	*2 840	
	4 outrigger down (over rear)					*3 820	*3 820					*2 840	*2 840	
6.0 m	Rear blade up (over front)					*3 740	3 710	*3 490	2 330			*2 440	2 040	6.41
	Rear blade down (over rear)					*3 740	*3 740	*3 490	2 650			*2 440	2 340	
	Rear outrigger down (over rear)					*3 740	*3 740	*3 490	3 190			*2 440	*2 440	
	Front outrigger and rear blade down (over rear)					*3 740	*3 740	*3 490	*3 490			*2 440	*2 440	
	Front blade and rear outrigger down (over rear)					*3 740	*3 740	*3 490	*3 490			*2 440	*2 440	
	4 outrigger down (over rear)					*3 740	*3 740	*3 490	*3 490			*2 440	*2 440	
4.5 m	Rear blade up (over front)			*4 360	*4 360	*4 280	3 630	*3 730	2 380			*2 300	1 650	7.21
	Rear blade down (over rear)			*4 360	*4 360	*4 280	*4 090	*3 730	2 710			*2 300	1 900	
	Rear outrigger down (over rear)			*4 360	*4 360	*4 280	*4 280	*3 730	3 200			*2 300	*2 300	
	Front outrigger and rear blade down (over rear)			*4 360	*4 360	*4 280	*4 280	*3 730	*3 730			*2 300	*2 300	
	Front blade and rear outrigger down (over rear)			*4 360	*4 360	*4 280	*4 280	*3 730	*3 730			*2 300	*2 300	
	4 outrigger down (over rear)			*4 360	*4 360	*4 280	*4 280	*3 730	*3 730			*2 300	*2 300	
3.0 m	Rear blade up (over front)			*6 860	6 220	*5 210	3 530	3 710	2 370	2 590	1 520	*2 300	1 470	7.62
	Rear blade down (over rear)			*6 860	*6 860	*5 210	3 980	*4 090	2 690	*2 950	1 760	*2 300	1 700	
	Rear outrigger down (over rear)			*6 860	*6 860	*5 210	4 710	*4 090	3 170	*2 950	2 150	*2 300	2 080	
	Front outrigger and rear blade down (over rear)			*6 860	*6 860	*5 210	*5 210	*4 090	3 880	*2 950	2 740	*2 300	*2 300	
	Front blade and rear outrigger down (over rear)			*6 860	*6 860	*5 210	*5 210	*4 090	3 990	*2 950	2 830	*2 300	*2 300	
	4 outrigger down (over rear)			*6 860	*6 860	*5 210	*5 210	*4 090	*4 090	*2 950	*2 950	*2 300	*2 300	
1.5 m	Rear blade up (over front)	*6 380	*6 380	*8 200	6 110	5 500	3 490	3 700	2 290	2 560	1 490	*2 410	1 410	7.72
	Rear blade down (over rear)	*6 380	*6 380	*8 200	7 010	*6 040	3 930	*4 450	2 620	*3 600	1 720	*2 410	1 630	
	Rear outrigger down (over rear)	*6 380	*6 380	*8 200	*8 200	*6 040	4 640	*4 450	3 150	*3 600	2 120	*2 410	2 010	
	Front outrigger and rear blade down (over rear)	*6 380	*6 380	*8 200	*8 200	*6 040	5 730	*4 450	*3 860	*3 600	2 700	*2 410	*2 410	
	Front blade and rear outrigger down (over rear)	*6 380	*6 380	*8 200	*8 200	*6 040	5 900	*4 450	3 970	*3 600	2 790	*2 410	*2 410	
	4 outrigger down (over rear)	*6 380	*6 380	*8 200	*8 200	*6 040	*6 040	*4 450	*4 450	*3 600	3 240	*2 410	*2 410	
0 m (Ground)	Rear blade up (over front)	*8 080	*8 080	*9 520	6 180	*5 540	3 440	3 640	2 160	2 510	1 440	2 500	1 440	7.51
	Rear blade down (over rear)	*8 080	*8 080	*9 520	7 100	*6 310	3 950	*4 600	2 480	*2 750	1 680	*2 660	1 670	
	Rear outrigger down (over rear)	*8 080	*8 080	*9 520	8 570	*6 310	4 710	*4 600	3 020	*2 750	2 070	*2 660	2 060	
	Front outrigger and rear blade down (over rear)	*8 080	*8 080	*9 520	*9 520	*6 310	5 760	*4 600	3 830	*2 750	2 660	*2 660	2 650	
	Front blade and rear outrigger down (over rear)	*8 080	*8 080	*9 520	*9 520	*6 310	*5 920	*4 600	3 960	*2 750	2 750	*2 660	*2 660	
	4 outrigger down (over rear)	*8 080	*8 080	*9 520	*9 520	*6 310	*6 310	*4 600	4 500	*2 750	*2 750	*2 660	*2 660	
-1.5 m	Rear blade up (over front)	*12 370	*12 370	*10 140	5 900	5 650	3 260	3 520	2 040			2 780	1 600	6.97
	Rear blade down (over rear)	*12 370	*12 370	*10 140	6 960	*6 400	3 770	*4 670	2 360			*3 150	1 860	
	Rear outrigger down (over rear)	*12 370	*12 370	*10 140	8 780	*6 400	4 610	*4 670	2 890			*3 150	2 290	
	Front outrigger and rear blade down (over rear)	*12 370	*12 370	*10 140	*10 140	*6 400	5 930	*4 670	3 710			*3 150	2 940	
	Front blade and rear outrigger down (over rear)	*12 370	*12 370	*10 140	*10 140	*6 400	6 140	*4 670	3 840			*3 150	3 040	
	4 outrigger down (over rear)	*12 370	*12 370	*10 140	*10 140	*6 400	*6 400	*4 670	4 490			*3 150	*3 150	
-3.0 m	Rear blade up (over front)	*18 500	*18 500	*10 450	5 760	5 440	3 070					3 760	2 160	5.69
	Rear blade down (over rear)	*18 500	*18 500	*10 450	6 820	*6 250	3 570					*3 910	2 510	
	Rear outrigger down (over rear)	*18 500	*18 500	*10 450	8 630	*6 250	4 400					*3 910	3 080	
	Front outrigger and rear blade down (over rear)	*18 500	*18 500	*10 450	*10 450	*6 250	5 720					*3 910	*3 910	
	Front blade and rear outrigger down (over rear)	*18 500	*18 500	*10 450	*10 450	*6 250	5 940					*3 910	*3 910	
	4 outrigger down (over rear)	*18 500	*18 500	*10 450	*10 450	*6 250	*6 250					*3 910	*3 910	

**ZAXIS 140W 2-PIECE BOOM, ARM 2.52 M, 3 100 KG COUNTERWEIGHT**

 Rating over-front or rear  Rating over-side or 360 degrees Unit : kg

Stabilization		Load radius										At max. reach		
		1.5 m		3.0 m		4.5 m		6.0 m		7.5 m		meter		
														
7.5 m	Rear blade up (over front)					*3 820	*3 820					*2 840	*2 840	5.04
	Rear blade down (over rear)					*3 820	*3 820					*2 840	*2 840	
	Rear outrigger down (over rear)					*3 820	*3 820					*2 840	*2 840	
	Front outrigger and rear blade down (over rear)					*3 820	*3 820					*2 840	*2 840	
	Front blade and rear outrigger down (over rear)					*3 820	*3 820					*2 840	*2 840	
	4 outrigger down (over rear)					*3 820	*3 820					*2 840	*2 840	
6.0 m	Rear blade up (over front)					*3 740	*3 740	*3 490	2 450			*2 440	2 160	6.41
	Rear blade down (over rear)					*3 740	*3 740	*3 490	2 790			*2 440	*2 440	
	Rear outrigger down (over rear)					*3 740	*3 740	*3 490	3 330			*2 440	*2 440	
	Front outrigger and rear blade down (over rear)					*3 740	*3 740	*3 490	*3 490			*2 440	*2 440	
	Front blade and rear outrigger down (over rear)					*3 740	*3 740	*3 490	*3 490			*2 440	*2 440	
	4 outrigger down (over rear)					*3 740	*3 740	*3 490	*3 490			*2 440	*2 440	
4.5 m	Rear blade up (over front)			*4 360	*4 360	*4 280	*3 780	*3 730	2 510			*2 300	1 750	7.21
	Rear blade down (over rear)			*4 360	*4 360	*4 280	4 250	*3 730	2 830			*2 300	2 010	
	Rear outrigger down (over rear)			*4 360	*4 360	*4 280	*4 280	*3 730	3 330			*2 300	*2 300	
	Front outrigger and rear blade down (over rear)			*4 360	*4 360	*4 280	*4 280	*3 730	*3 730			*2 300	*2 300	
	Front blade and rear outrigger down (over rear)			*4 360	*4 360	*4 280	*4 280	*3 730	*3 730			*2 300	*2 300	
	4 outrigger down (over rear)			*4 360	*4 360	*4 280	*4 280	*3 730	*3 730			*2 300	*2 300	
3.0 m	Rear blade up (over front)			*6 860	*6 470	*5 210	3 680	3 850	2 490	2 710	1 620	*2 300	1 560	7.62
	Rear blade down (over rear)			*6 860	*6 860	*5 210	*4 140	*4 090	2 820	*2 950	1 860	*2 300	1 800	
	Rear outrigger down (over rear)			*6 860	*6 860	*5 210	4 880	*4 090	3 290	*2 950	2 260	*2 300	2 190	
	Front outrigger and rear blade down (over rear)			*6 860	*6 860	*5 210	*5 210	*4 090	4 010	*2 950	2 850	*2 300	*2 300	
	Front blade and rear outrigger down (over rear)			*6 860	*6 860	*5 210	*5 210	*4 090	*4 090	*2 950	2 950	*2 300	*2 300	
	4 outrigger down (over rear)			*6 860	*6 860	*5 210	*5 210	*4 090	*4 090	*2 950	*2 950	*2 300	*2 300	
1.5 m	Rear blade up (over front)	*6 380	*6 380	*8 200	6 360	*5 700	3 640	3 830	2 410	2 670	1 590	*2 410	1 500	7.72
	Rear blade down (over rear)	*6 380	*6 380	*8 200	7 290	*6 040	4 090	*4 450	2 750	*3 600	1 830	*2 410	1 730	
	Rear outrigger down (over rear)	*6 380	*6 380	*8 200	*8 200	*6 040	4 820	*4 450	3 280	*3 600	2 220	*2 410	2 110	
	Front outrigger and rear blade down (over rear)	*6 380	*6 380	*8 200	*8 200	*6 040	5 910	*4 450	*3 990	*3 600	2 820	*2 410	*2 410	
	Front blade and rear outrigger down (over rear)	*6 380	*6 380	*8 200	*8 200	*6 040	*6 040	*4 450	4 100	*3 600	2 910	*2 410	*2 410	
	4 outrigger down (over rear)	*6 380	*6 380	*8 200	*8 200	*6 040	*6 040	*4 450	*4 450	*3 600	3 370	*2 410	*2 410	
0 m (Ground)	Rear blade up (over front)	*8 080	*8 080	*9 520	6 440	*5 730	3 610	3 800	2 280	2 630	1 540	*2 620	1 530	7.51
	Rear blade down (over rear)	*8 080	*8 080	*9 520	7 380	*6 310	4 140	*4 600	2 620	*2 750	1 780	*2 660	1 770	
	Rear outrigger down (over rear)	*8 080	*8 080	*9 520	8 880	*6 310	4 870	*4 600	3 160	*2 750	2 170	*2 660	2 170	
	Front outrigger and rear blade down (over rear)	*8 080	*8 080	*9 520	*9 520	*6 310	*5 940	*4 600	3 990	*2 750	*2 750	*2 660	*2 660	
	Front blade and rear outrigger down (over rear)	*8 080	*8 080	*9 520	*9 520	*6 310	6 100	*4 600	4 120	*2 750	*2 750	*2 660	*2 660	
	4 outrigger down (over rear)	*8 080	*8 080	*9 520	*9 520	*6 310	*6 310	*4 600	4 600	*2 750	*2 750	*2 660	*2 660	
-1.5 m	Rear blade up (over front)	*12 370	*12 370	*10 140	6 200	5 890	3 440	3 680	2 160			2 910	1 700	6.97
	Rear blade down (over rear)	*12 370	*12 370	*10 140	7 300	*6 400	3 950	*4 670	2 490			*3 150	1 970	
	Rear outrigger down (over rear)	*12 370	*12 370	*10 140	*9 160	*6 400	4 810	*4 670	3 040			*3 150	2 410	
	Front outrigger and rear blade down (over rear)	*12 370	*12 370	*10 140	*10 140	*6 400	*6 150	*4 670	3 870			*3 150	3 070	
	Front blade and rear outrigger down (over rear)	*12 370	*12 370	*10 140	*10 140	*6 400	6 260	*4 670	4 000			*3 150	*3 150	
	4 outrigger down (over rear)	*12 370	*12 370	*10 140	*10 140	*6 400	*6 400	*4 670	4 660			*3 150	*3 150	
-3.0 m	Rear blade up (over front)	*18 500	*18 500	*10 450	6 070	5 680	3 240					*3 910	2 290	5.69
	Rear blade down (over rear)	*18 500	*18 500	*10 450	7 160	*6 250	3 750					*3 910	2 650	
	Rear outrigger down (over rear)	*18 500	*18 500	*10 450	9 020	*6 250	4 610					*3 910	3 230	
	Front outrigger and rear blade down (over rear)	*18 500	*18 500	*10 450	*10 450	*6 250	5 960					*3 910	*3 910	
	Front blade and rear outrigger down (over rear)	*18 500	*18 500	*10 450	*10 450	*6 250	6 180					*3 910	*3 910	
	4 outrigger down (over rear)	*18 500	*18 500	*10 450	*10 450	*6 250	*6 250					*3 910	*3 910	

# EQUIPMENT

● : Standard equipment

○ : Optional equipment

## ENGINE

Aftertreatment device	●
Air cleaner double filters	●
Alternator 100 A	●
Auto idle system	●
Auto shut-down control	●
Cartridge-type engine oil filter	●
Cartridge-type fuel main filter	●
DEF/AdBlue® tank inlet strainer and extension filter	●
DEF/AdBlue® tank with ISO magnet adapter	●
Dry-type air filter with evacuator valve (with air filter restriction indicator)	●
Dust-proof indoor net	●
ECO/PWR mode control	●
Engine oil drain coupler	●
Expansion tank	●
Fan guard	●
Fuel pre-filter with water separator	●
Isolation-mounted engine	●
Maintenance free pre-cleaner	○
Radiator, oil cooler and intercooler	●

## HYDRAULIC SYSTEM

Auto power lift	●
Control valve with main relief valve	●
Extra port for control valve	●
Full-flow filter	●
High mesh full flow filter with restriction indicator	○
Hose rupture valve for arm	●
Hose rupture valve for boom	●
Pilot filter	●
Power boost	●
Shockless valve in pilot circuit	●
Steering filter	●
Suction filter	●
Swing dampener valve	●
Variable reliefvalve for breaker & crusher	●
Work mode selector	●

## CAB

All-weather sound suppressed steel cab	●
AM-FM radio	●
Ashtray	●
Auto control air conditioner	●
AUX function lever (Breaker assist)	●
AUX terminal and storage	●
Cigarette lighter 24 V	●
CRES V (Center pillar reinforced structure) cab	●
Drink holder with hot & cool function	●
Electric double horn	●
Engine shut-off switch	●
Equipped with reinforced, tinted (green color) glass windows	●
Evacuation hammer	●
Floor mat	●
Footrest	●
Front window washer	●
Hot & cool box	●
Intermittent windshield wipers	●
Key cylinder light	●
Laminated round glass window	○
LED room light with door courtesy	●
OPG top guard Level II (ISO10262) compliant cab	○
Pilot control shut-off lever	●
Power outlet 12 V	○
Rain guard	●
Rear tray	●
Retractable seat belt	●
ROPS (ISO12117-2) compliant cab	●
Rubber radio antenna	●
Seat : air suspension seat with heater	●
Seat adjustment part : backrest, armrest, height and angle, slide forward / back	●
Short wrist control levers	●
Sun visor	●
Transparent roof with slide curtain	●
Windows on front, upper, lower and left side can be opened	●
2 speakers	●
4 fluid-filled elastic mounts	●

## MONITOR SYSTEM

Alarms: overhear, engine warning, engine oil pressure, alternator, minimum fuel level, hydraulic filter restriction, air filter restriction, work mode, overload, SCR system trouble, etc	●
Alarm buzzers: overhear, engine oil pressure, overload, SCR system trouble	●
Attachment operational information	●
Display of meters: Speedometer, Tachometer, Tripmeter, water temperature, hour, fuel rate, clock, DEF/AdBlue® rate	●
Other displays: work mode, auto-idle, glow, rearview monitor, operating conditions, etc	●
32 languages selection	●

## LIGHTS

Additional boom light with cover	○
Additional cab roof front lights	○
Additional cab roof rear lights	○
Brake lamps	●
Clearance lamps	●
Hazard lamps	●
Licence lamp	○
Rotating lamp	○
Turn signal lamps	●
Working lights	●
2 working lights	●

## UPPER STRUCTURE

Batteries 2 x 93 Ah	●
Battery disconnect switch	●
Body top handrail	●
Counterweight 2 800 kg	●
Counterweight 3 100 kg	○
Electric fuel refilling pump with auto stop and filter	●
Fuel level float	●
Handrail (cab top)	●
Handrail (platform)	●
Hydraulic oil level gauge	●
Rear view camera	●
Rear view mirror (right & left side)	●
Side view camera	○
Skid-resistant plates and handrails	●
Swing parking brake	●
Undercover	●

## UNDERCARRIAGE

Clamshell bracket	○
Front cover	○
Front dozer blade + rear outrigger	○
Front outrigger + rear dozer blade	○
Front outrigger + rear outrigger	○
Parking brake	●
Rear dozer blade	○
Rear outrigger	○
Right toolbox	○
Toolbox: left chassis	●
Traction types pattern tires (10.00-20 14PR)	●
Tire spacer	●
4 tie down brackets	●

## FRONT ATTACHMENTS

Casted bucket link A	●
Centralized lubrication system	●
Dirt seal on all bucket pins	●
Flanged pin	●
HN bushing	●
Reinforced link B	○
Reinforced resin thrust plate	●
WC (tungsten-carbide) thermal spraying	●
Welded bucket link A	○

## ATTACHMENTS

Accessories for 2 speed selector	○
Additional pump (30 L/min)	○
Assist piping	○
Attachment basic piping	●
Breaker and crusher piping	●
Clamshell piping	○
HSB Parts for breaker and crusher	●
Pilot accumulator	●
PTO valve	○

## MISCELLANEOUS

Global e-Service	●
Lockable fuel refilling cap	●
Lockable machine covers	●
Onboard information controller	●
Standard tool kit	●
Travel direction mark on chassis frame	●

Standard and optional equipment may vary by country, so please consult your Hitachi dealer for details.



Prior to operating this machine, including satellite communication system, in a country other than a country of its intended use, it may be necessary to make modifications to it so that it complies with the local regulatory standards (including safety standards) and legal requirements of that particular country. Please do not export or operate this machine outside the country of its intended use until such compliance has been confirmed. Please contact your Hitachi dealer in case of questions about compliance.

These specifications are subject to change without notice. Illustrations and photos show the standard models, and may or may not include optional equipment, accessories, and all standard equipment with some differences in color and features. Before use, read and understand the Operator's Manual for proper operation.

