

HYDRAULIC EXCAVATOR

TAKEUCHI
From World First to World Leader

TB295W



Operating Weight: 9,765 to 10,410 kg

Product Features

ENGINE

- EU Stage IV / EPA Tier 4 Emission Compliant
- Common Rail Fuel System
- DOC+SCR Exhaust After Treatment
- Automatic Fuel Bleed System
- Double Element, Air Cleaner
- Power Mode
- Auto Deceleration
- Hydraulic Fan Drive for Radiator
- Fuel Supply Pump
- High Capacity Fuel Filters
- V-rib Belt with Automatic Tensioner

ELECTRICAL

- 7" Multi-Informational Color Display
- Rear View Camera
- Sealed Rocker Switches
- Hour Meter
- Work Lights - LED Boom Working Light and LED Front Working Light
- Horn
- Beacon Socket and Lamp Switch
- Arm Position Lamp (optional)
- LED Front and Rear Cab Lights (optional)
- Back Buzzer (optional)

OPERATOR'S STATION

- Cab with Air Conditioner, Windshield Wiper and Washer, Skylight with Sunshade, AM / FM / MP3 Radio, 12v/24v Power Outlet
- ROPS / OPG Level 1 Protection
- Tool Box
- Foot Rest
- Deluxe High Back Seat
- 2" Retractable Seat Belt
- Steering Column, tiltable
- OPG Level 2 Roof Guard Kit (optional)
- OPG Level 2 Front Guard (optional)
- Rain Guard (optional)
- Air Suspension Seat w/ Heat (optional)

UNDERCARRIAGE AND FRAME

- Four Speed Travel
- Oscillating Front Axle
- High Torque Planetary Final Drive
- Protected HD Drive Shaft
- Wraparound Counterweight
- Dozer Blade
- Parking Brake
- Ram Lock
- Auto Cruise Mode
- Emergency Steering Function
- Outrigger (optional)
- Diff-Lock (optional)

HYDRAULIC

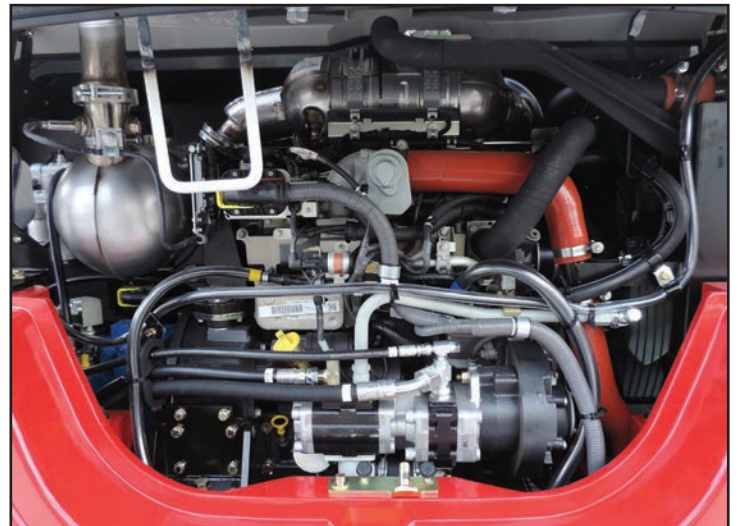
- Variable Displacement, Open Center Hydraulics
- Hydraulic Joystick Controls
- Proportional Control for Service Port 1
- Proportional Control for Service Port 2
- Adjustable Auxiliary Flow for Service Port 1, 2, and 4
- Hydraulic Selector Valve (1-way / 2-way)
- Pilot Accumulator
- Air Breather, Hydraulic Tank
- Quick Hitch for Service Port 3 (optional)
- Proportional Control for Service Port 4 (optional)
- Auto Pressure Release (optional)
- Auto Tank (optional)

WORKING EQUIPMENT

- 2-Piece Variable Angle Boom with 2 Adjust Cylinders
- Cushioned Boom and Arm Cylinders
- Boom Holding Valve with Lift Alarm
- Safety Boom Swing Lock
- Pattern Change Valve (ISO or G) (optional)
- Adjust Cylinder Holding Valve (optional)
- Arm Holding Valve (optional)
- Independent Mono Boom Swing (optional)



Large Lockable Service Hoods Provide Ground Level Access

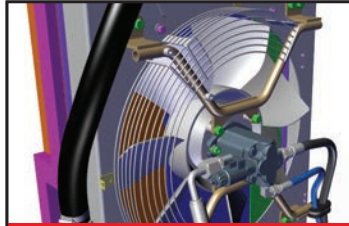


Convenient Service and Maintenance Access

TOUGH, POWERFUL, RELIABLE



LED Boom Working Light



Hydraulic Fan Drive for Radiator



7" Color Display



Wraparound Counterweight

The TB295W features a wheeled undercarriage for greater versatility and mobility. It is well suited for bridge, highway, and roadwork, and with a top speed of 30 km/h it can travel between job sites quickly and efficiently for greater productivity

A 85 kW engine powers the TB295W and it meets the very latest EU emissions standards. An electronic dial throttle allows the operator to set the engine speed to their desired level, and auto idle helps to reduce fuel consumption by returning the engine to low idle when the machine is inactive for several seconds.

Once input from the operator is received the engine will return to the operator's desired speed.

An enclosed cabin provides heat, automatic climate controlled air conditioner, AM/FM radio with MP3 outlet, retractable front window, and skylight with sunshade. The automotive styled interior features intuitive controls, ample space, improved comfort, and visibility. While the deluxe, high back heated air suspension seat provides multiple adjustments, for height, weight, fore and aft, and tilt placing the operator in the optimal position for both driving and excavating.



Spacious Operator's Station with Easy to Reach Controls and Switches.

Product Specifications

STANDARD OPERATING WEIGHT

2-Piece Boom	
Dozer Blade Only	10,120 kg
Dozer Blade, Outrigger	10,410 kg
Mono-Boom	
Dozer Blade Only	9,765 kg
Dozer Blade, Outrigger	10,055 kg

OPERATING PERFORMANCE

Bucket Capacity (Heaped)	0.245 m ³
Slew Speed	10.1 min ⁻¹
Travel Speed	
Low Speed 1	0 - 5.3 km/h
Low Speed 2	0 - 10.3 km/h
High Speed 1	0 - 15.4 km/h
High Speed 2	0 - 29.7 km/h
Gradeability	35°
Maximum Bucket Breakout Force	58.9 kN
Maximum Arm Digging Force	39.7 kN
Traction Force	57.8 kN

ENGINE

Model	DEUTZ TCD3.6L4
Rated Output (ISO 14396)	85 kW/2200 min ⁻¹
Maximum Torque	460 Nm/1600min ⁻¹
Displacement	3,621 ml
Alternator	28 V - 2.24 kW
Battery (IEC 60095-1)	12 V - 90A/h x 2

FLUID CAPACITIES

Engine Lubrication	10 L
Cooling System	27 L
Fuel Tank Capacity	162 L
Hydraulic Reservoir Capacity	95 L
Hydraulic System Capacity	200 L

SAFETY and HEALTH

Vibration Levels	
Hand / Arm	≤ 2.5 m/s ² (8.2 ft/s ²)
Body	≤ 0.5 m/s ² (1.64 ft/s ²)
Noise Level	
Sound Power Level	Lwa 99 dB
Emission Sound Pressure at the Operator's Position	Lwa 76 dB

HYDRAULIC SYSTEM

P1	Boom, Arm, Bucket, Blade, 1st Aux, 2nd Aux
Flow Rate	176 L/min
Relief Pressure	27.5 MPa
P2	Pilot
Flow Rate	15.4 L/min
Relief Pressure	3.5 MPa
P3	Slew, 3rd Aux
Flow Rate	59.6 L/min
Relief Pressure	24 MPa
P4	Fan Drive for Radiator
Flow Rate	40.3 L/min
Relief Pressure	20 MPa
P5	Brake Valve
Flow Rate	35.6 L/min
Relief Pressure	14 MPa
P6	Travel
Flow Rate	156 L/min
Relief Pressure	38 MPa
P7	Charge
Flow Rate	43.1 L/min
Relief Pressure	2.4 MPa
Service Port 1	
Flow Rate	120 L/min
Hydraulic Pressure	20.6 MPa
Service Port 2	
Flow Rate	55 L/min
Hydraulic Pressure	20.6 MPa
Service Port3	
Flow Rate	16 / 55 L/min
Hydraulic Pressure	3.5 / 33.3 MPa
Service Port 4	
Flow Rate	55 L/min
Hydraulic Pressure	20.6 MPa



Pilot Operated Controls



Sealed Rocker Switches



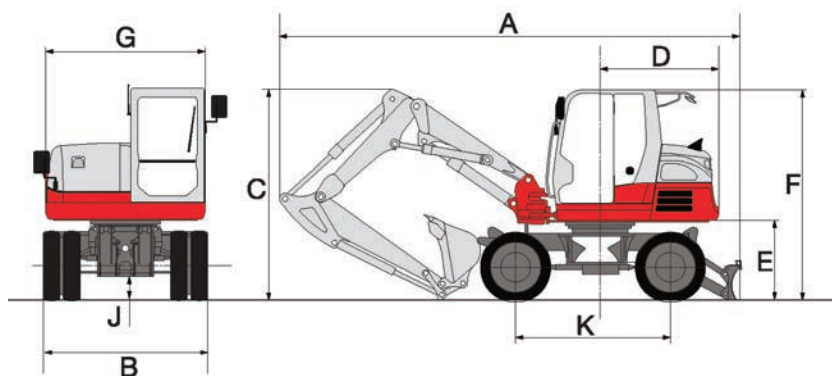
Tiltable Steering Column



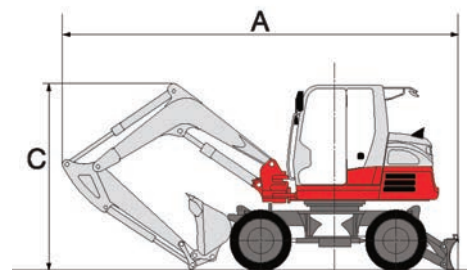
Rear View Camera

TB295W Machine Dimensions

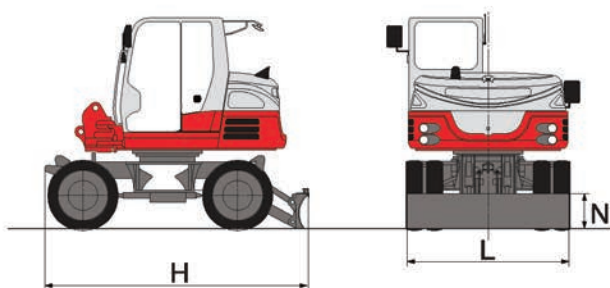
2-Piece Boom



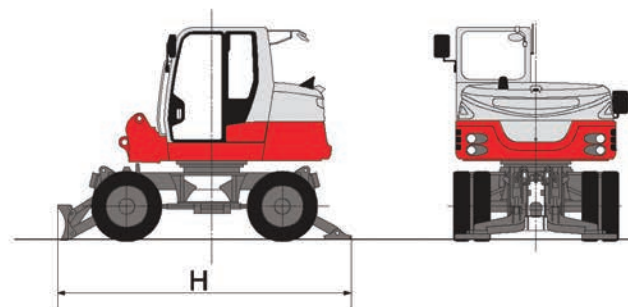
Mono-Boom



Dozer Blade



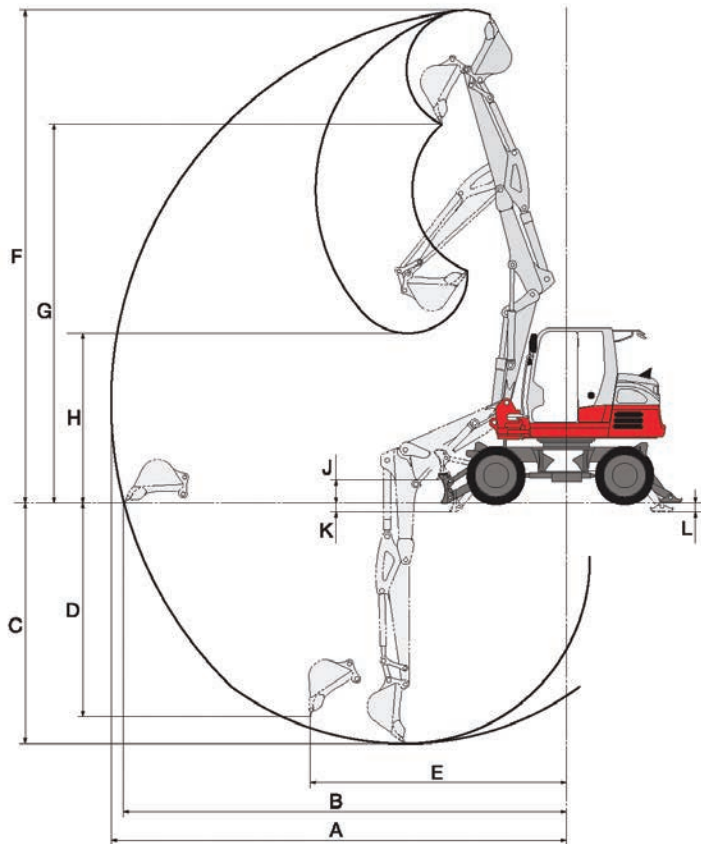
Dozer Blade and Outrigger



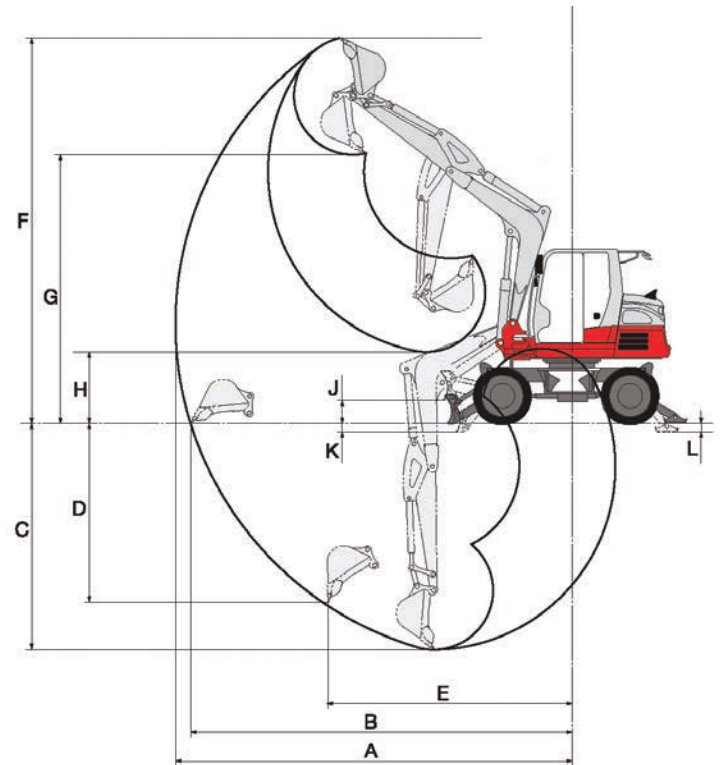
MACHINE DIMENSIONS	REAR BLADE	FRONT BLADE & REAR OUTRIGGER
A Overall Length		
2-Piece Boom	6,565 mm	6,815 mm
Mono-Boom	6,435 mm	6,320 mm
B Overall Width	2,335 mm	2,335 mm
C Overall Height		
2-Piece Boom	3,000 mm	3,000 mm
Mono-Boom	3,020 mm	3,020 mm
D Slew Radius	1,690 mm	1,690 mm
E Clearance Height Under Upper Structure	1,140 mm	1,140 mm
F Overall Height of Base Machine	3,010 mm	3,010 mm
G Overall Width of Upper Structure	2,270 mm	2,270 mm
H Overall Length of Undercarriage	3,745 mm	4,165 mm
J Ground Clearance of Undercarriage	320 mm	320 mm
K Wheel Base	2,200 mm	2,200 mm
L Dozer Blade Width	2,300 mm	2,300 mm
N Dozer Blade Height	500 mm	500 mm

TB295W Operating Dimensions

2-Piece Boom



Mono-Boom



MACHINE DIMENSIONS	2-Piece Boom	Mono-Boom
A Maximum Reach	7,775 mm	6,830 mm
B Maximum Reach at Ground Level	7,555 mm	6,570 mm
C Maximum Digging Depth	4,115 mm	3,895 mm
D Maximum Vertical Digging Depth	3,645 mm	3,080 mm
E Reach at Maximum Vertical Digging Depth	4,390 mm	4,215 mm
F Maximum Height of Cutting Edge	8,430 mm	6,630 mm
G Maximum Dumping Height	6,480 mm	4,615 mm
H Minimum Dumping Height	2,905 mm	1,225 mm
J Dozer Blade Maximum Lifting Height	400 mm	400 mm
K Dozer Blade Maximum Lowering Depth	150 mm	150 mm
L Outrigger Maximum Lowering Depth	150 mm	150 mm