



Doosan Infracore  
Forklifts

## PRO5 SERIES



GC35S / GC40S / GC45S-5  
GC50C / GC55C-5  
7,000lb(3,500kg) 8,000lb(4,000kg)  
9,000lb(4,500kg) 10,000lb(5,000kg)  
12,000lb(5,500kg)  
Cushion Tire

D35S / D40S / D45S-5 & D50C / D55C-5  
G35S / G40S / G45S-5 & G50C / G55C-5  
8,000lb(3,500kg) 9,000lb(4,000kg)  
10,000lb(4,500kg) 11,000lb(5,000kg)  
12,000lb(5,500kg)  
Pneumatic Tire

### Full Product Line

Doosan offers a full line of lift trucks from 3,000lb(1,500kg) to 36,000lb(16,000kg) pounds to fill all your material handling needs. Contact your dealer for specific information on our various models and configurations.

### Complete Distribution Network

Doosan lift trucks are sold and serviced by 95 dealers at over 200 locations in the U.S and Canada.

Call us at 1-800-323-9662 for the location of a dealer near you, or visit us at

[www.doosanlift.com](http://www.doosanlift.com)

For corporate information go to :

[www.dhiac.com](http://www.dhiac.com)

## PRO5 SERIES

## Cushion and Pneumatic Forklift Trucks

D35S / D40S / D45S-5 & D50C / D55C-5

G35S / G40S / G45S-5 & G50C / G55C-5

GC35S / GC40S / GC45S-5 & GC50C / GC55C-5

7,000lb to 12,000lb Capacity



PSC0703A0 (Mar.2007)



**Doosan Infracore America Corporation**  
4350 Renaissance Parkway,  
Warrensville Heights, Ohio, 44128 U.S.A.  
Tel : 216-595-1212  
Fax : 216-595-1214

AUTHORIZED DEALER

Product and specifications are subject to improvement and change without notice.



**Field Proven Endurance Tested...  
To Give You the Best Forklift Value on  
the Market.**

That's what Doosan has put into the design, development and production of the D/G/GC 45 series, to provide customers with :

- ✓ *Optimized Operator Comfort & Safety*
- ✓ *Proven and Durable Components*
- ✓ *High Powered and Fuel efficient Diesel and LPG Engines for High Performance including*
  - *Low Emissions and Minimal Vibration*
- ✓ *Enhanced Maintenance and Serviceability*
- ✓ *Virtually Maintenance-free Oil Cooled Disc Brakes*
- ✓ *2 Speed Autosift Transmission*
- ✓ *Lift and Tilt Locking Hydraulic Control Valve*
- ✓ *OSS(Operator Sensing System)*
- ✓ *A Variety of Operator Friendly Features*





# Operator Comfort and Driver Efficiency is One of Doosan's Top Priorities

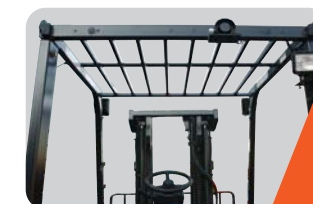


*Doosan forklifts are designed to keep your operation and operators running at peak efficiency. Enhanced comfort features ensures operators do not experience fatigue or strain during everyday operation.*

*Designed to be simple, and easily adjusted, this operator compartment will make your driver feel right at home.*

## ● High Visibility Overhead Guard and Front-end

Wider mast window, repositioned hydraulic hoses and flat bar style overhead guard optimizes operator sight lines forward, up and to the load.



## ● Integrated Instrument Panel

The centralized and easy-to-read instrument panel maximizes operator efficiency. Fuel gauge, engine hour meter, engine oil pressure, coolant and transmission temperature, mast interlock, transmission neutral, seat belt, brake oil level indicator keeps operator ever aware of all vehicle performance systems.



## ● Convenience Tray

Easily handles refreshments, paperwork, small tools, etc for operator efficiency.



## ● Auto Tilt Leveling (Optional)

Easily returns mast to upright vertical position with the simple push of a button



## ● Deluxe Suspension Seat with OSS (Operator Sensing System)

A comfortable deluxe suspension seat with OSS (Operator Sensing System), a large seatback angle, longer seat travel length and operator's weight resistance on front side allow multiple adjustments for optimum seating comfort.

- ✓ Parking alarm
- ✓ Seat belt indicator
- ✓ Neutral shift feature



## ● Spacious Operator compartment

Wide open operator leg room, stepless tiltable steering column and ergonomically located operator pedals with a low cowl height facilitate ease of operation.





# Minimized Maintenance, Easy Serviceability.



**Doosan's Goal is to Make Your Material Handling Organization as Efficient and Reliable as Possible, by minimizing Down Time to Reduce Overall Maintenance Cost.**

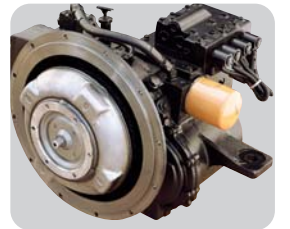
## ● Oil- Cooled Disc Brakes(ODB)

Oil cooled disc brakes are available as an option on all D,G(C)45S series pneumatic and cushion forklifts and are especially recommended for applications in humid, abrasive or corrosive environments, or with ramp, loading and unloading applications. This enclosed brake system eliminates outside contamination, significantly extending brake life and decreasing maintenance costs. Oil cooled disc brakes have service intervals 5 times longer than conventional shoe brakes, and require little to no maintenance.



## ● Power Reversal Transmission

Top mounted control valve on the transmission precisely modulates clutch oil pressure for smooth forward / reverse directional changes, permitting on-the-go shifting up to 5mph.



## ● Hydrostatic Steering System

No mechanical connections between steering wheel and steer axle for reduced maintenance.  
Easy Access grease fittings for proper lubrication.  
Sealed tapered roller bearings offer protection against contamination and in high impact applications.  
Provides low effort steering with quick steering response.



## ● Air Cleaner

A large capacity, dual element air cleaner permits long service intervals. The primary filter can be washed and re-used up to 5 times.  
A high air intake on the overhead guard is standard, and aids in drawing clean, cool air into the engine intake system.



## ● Full Floating Drive Axle

Strong one-piece cast housing keeps axle components aligned. High tensile strength alloy steel axle shafts extends axle life while splined side gear & drive wheel hub gears transmit high torque to the drive wheels.



● Tool - less Side Cover and Floor Plate facilitates Serviceability



● Integration of Electrical Components for Easy Maintenance

Fuse and relay box located in front of the engine simplifies servicing

**DRIVE THE DIFFERENCE...**

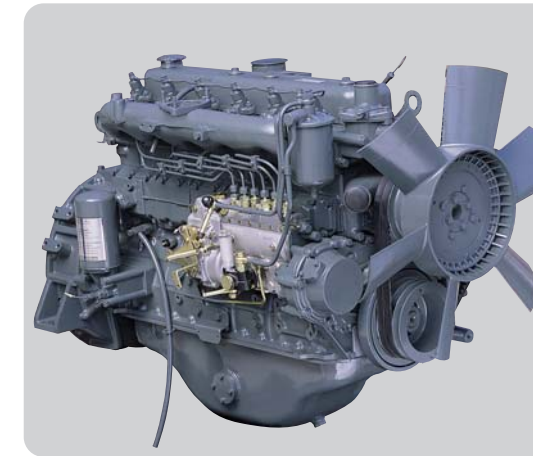
**DRIVE DOOSAN !**



# A Hallmark of Durability and Reliability

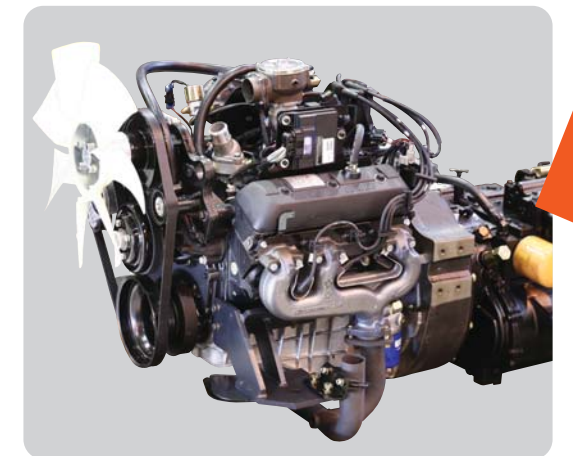


High powered and fuel - efficient diesel and LPG engines provide high performance levels and insure long term power plant efficiency.



## ● Doosan Infracore DB58S (91HP)

This powerful 6-cylinder 5.8L diesel engine delivers excellent power to meet the needs of the most demanding applications. DB58S diesel engines comply with EPA emission regulations.



## ● GM V6 4.3L (93HP)

The well known, proven GM 4.3L LP Gas engine has excellent durability. Low noise and minimal vibration features add to operators comfort.



DRIVE THE DIFFERENCE...

DRIVE DOOSAN !



**Proven Quality,  
Responsive Service and  
A Reliable Partner....**

After sales servicing of Doosan forklifts is available from the selling dealership backed by Doosan's own customer service center. And Doosan provides 100% parts inventory to insure any downtime is minimized. When you own a Doosan forklift, our high quality, responsive customer support team comes with it.

The Doosan network starts with your local dealer and ends with a national team of highly qualified and experienced personnel standing ready to support all your material handling needs.

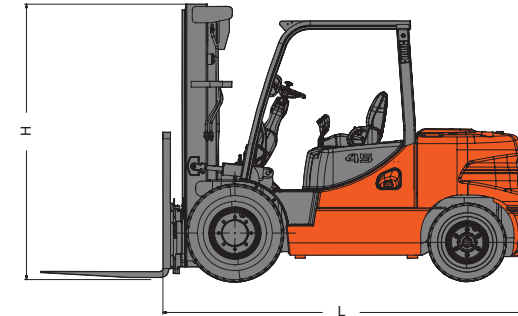
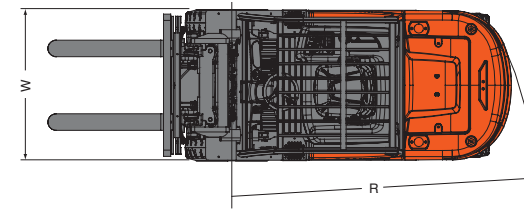


**DRIVE THE DIFFERENCE...**

**Option Availability**

Options	● : Standard ○ : Optional		
	D35/D40/D45S-5 & D40/D45C-5 D45C / D45SC / D55C-5	D35/D40/D45S-5 & G40/D45C-5 G40SC / G45SC / G55C-5	GC35S / GC40S / GC45S-5 & GC50C / GC55C-5
Fuel Cap with Key	●	n/a	n/a
Precleaner	●	●	n/a
Vertical Exhaust Tube	●	○	n/a
Catalytic Muffler*	○	○	○
Modular Operator Cabin	○	○	○
Air Conditioner	○	n/a	n/a
Non Marking Tire(Solid)	○	○	○
Spark Arrestor(w/o Cabin)	●	n/a	n/a
Mono Ped Foot Direction and Acceleration Control	○	○	○
AutoShift (Single,Dual Tire)	○	○	○
Engine Shutdown	○	○	○
Swingdown LP MTG	n/a	○	○
Lift and Tilt Locking Hydraulic Control Valve	●	●	●
Auto Tilt Leveling	○	○	○
Rear Grab Bar with Horn	○	○	○
Hydraulic Accumulator	○	○	○
Integral Side Shifting Fork Positioner	○	○	○
Hook on Sideshifter	○	○	○
UL LPS,DS Rating	○	○	○

\*Catalytic muffler is standard for Tier-3 E/G only



**Main Specification**

Sales Model		D35S-5	D40S-5	D45S-5	D50C-5	D55C-5
Rated Load Capacity	lb(kg)	8,000(3,500)	9,000(4,000)	10,000(4,500)	11,000(5,000)	12,000(5,500)
Load Center	in(mm)	24(600)	24(600)	24(600)	24(600)	24(600)
Overall Length to Fork Face	L in(mm)	122.0(3,100)	124.1(3,151)	128.5(3,265)	129.9(3,300)	131.9(3,350)
Truck Overall Width	W in(mm)	54.0(1,372)	57.1(1,451)	57.1(1,451)	57.1(1,451)	57.1(1,451)
Height of Overhead Guard	H in(mm)	87.6(2,225)	87.8(2,230)	87.8(2,230)	87.8(2,230)	87.8(2,230)
Minimum Turning Radius	R in(mm)	109.1(2,770)	111.0(2,820)	112.8(2,865)	115.4(2,930)	117.7(2,990)
Traval Speed, Loaded	mph(km/h)	15(24)	15(24)	15(24)	15(24)	15(24)
Lifting Speed, Loaded	fpm(mm/s)	102.3(520)	102.3(520)	102.3(520)	92.5(470)	92.5(470)
Wheel Base	in(mm)	78.7(2,000)	78.7(2,000)	82.7(2,100)	82.7(2,100)	82.7(2,100)
Engine Models		DB58S	DB58S	DB58S	DB58S	DB58S
Rated Power of Engine	hp(kw)/rpm	91(68)/2,200	91(68)/2,200	91(68)/2,200	91(68)/2,200	91(68)/2,200
Max Torque	lb.ft(kgf.m)/rpm	239(33)/1,600	239(33)/1,600	239(33)/1,600	239(33)/1,600	239(33)/1,600
Displacements	cc	5,785	5,785	5,785	5,785	5,785

Sales Model		G35S-5	G40S-5	G45S-5	G50C-5	G55C-5
Rated Load Capacity	lb(kg)	8,000(3,500)	9,000(4,000)	10,000(4,500)	11,000(5,000)	12,000(5,500)
Load Center	in(mm)	24(600)	24(600)	24(600)	24(600)	24(600)
Overall Length to Fork Face	L in(mm)	122.0(3,100)	124.0(3,150)	128.5(3,265)	129.9(3,300)	131.9(3,350)
Truck Overall Width	W in(mm)	54.0(1,372)	57.1(1,451)	57.1(1,451)	57.1(1,451)	57.1(1,451)
Height of Overhead Guard	H in(mm)	87.6(2,225)	87.8(2,230)	87.8(2,230)	87.8(2,230)	87.8(2,230)
Minimum Turning Radius	R in(mm)	109.1(2,770)	111.0(2,820)	112.8(2,865)	115.4(2,930)	117.7(2,990)
Traval Speed, Loaded	mph(km/h)	12.1(19.5)	12.1(19.5)	12.1(19.5)	12.1(19.5)	15(24)
Lifting Speed, Loaded	fpm(mm/s)	98.4(500)	98.4(500)	98.4(500)	96.4(490)	92.5(470)
Wheel Base	in(mm)	78.7(2,000)	78.7(2,000)	82.7(2,100)	82.7(2,100)	82.7(2,100)
Engine Models		G643(E)	G643(E)	G643(E)	G643(E)	G643(E)
Rated Power of Engine	hp(kw)/rpm	93(69)/2,450	93(69)/2,450	93(69)/2,450	93(69)/2,450	93(69)/2,450
Max Torque	lb.ft(kgf.m)/rpm	222(31)/1,400	222(31)/1,400	222(31)/1,400	222(31)/1,400	222(31)/1,400
Displacements	cc	4,294	4,294	4,294	4,294	4,294

Sales Model		GC35S-5	GC40S-5	GC45S-5	GC50C-5	G55C-5
Rated Load Capacity	lb(kg)	7,000(3,500)	8,000(4,000)	9,000(4,500)	10,000(5,000)	12,000(5,500)
Load Center	in(mm)	24(600)	24(600)	24(600)	24(600)	24(600)
Overall Length to Fork Face	L in(mm)	105.6(2,682)	105.6(2,682)	113.3(2,828)	113.3(2,828)	118.5(3,010)
Truck Overall Width	W in(mm)	50(1,270)	50(1,270)	55.9(1,420)	55.9(1,420)	55.9(1,420)
Height of Overhead Guard	H in(mm)	84.8(2,155)	84.8(2,155)	84.8(2,155)	84.8(2,155)	84.8(2,155)
Minimum Turning Radius	R in(mm)	92.9(2,360)	94.5(2,400)	99.6(2,530)	101.6(2,580)	103.5(2,630)
Traval Speed, Loaded	mph(km/h)	11.2/11.8(18/19)	11.2/11.8(18/19)	13/13.7(21/22)	13/13.7(21/22)	13/13.7(21/22)
Lifting Speed, Loaded	fpm(mm/s)	98.4/108.3(500/550)	94.5/108.3(480/550)	94.5/108.3(480/550)	88.6/98.4(450/500)	88.6/98.4(450/500)
Wheel Base	in(mm)	64.2(1,630)	64.2(1,630)	70.5(1,790)	70.5(1,790)	70.5(1,790)
Engine Models		G643E	G643E	G643E	G643E	G643E
Rated Power of Engine	hp(kw)/rpm	93/2,450	93/2,450	93/2,450	93/2,450	93/2,450
Max Torque	lb.ft(kgf.m)/rpm	31/1,400	31/1,400	31/1,400	31/1,400	31/1,400
Displacements	cc	4,294	4,294	4,294	4,294	4,294

**DRIVE DOOSAN !**



Doosan Infracore  
Forklifts

# TECHNICAL SPECIFICATIONS

## Pneumatic Forklift Trucks

D35S / D40S / D45S-5 & D50C / D55C-5

G35S / G40S / G45S-5 & G50C / G55C-5

8,000lb to 12,000lb Capacity

**PRO5**  
SERIES





# 8,000/9,000/10,000/11,000/12,000 lb Capacities

Engine Powered Forklift Trucks

Pneumatic Tire

## MAIN VEHICLE SPECIFICATIONS

			DOOSAN	DOOSAN	DOOSAN	DOOSAN	DOOSAN				
CHARACTERISTICS	1	Manufacture		DOOSAN	DOOSAN	DOOSAN	DOOSAN	DOOSAN			
	2	Model		D35S-5	D40S-5	D45S-5	D50C-5	D55C-5			
	3	Load Capacity	at rated load center	lb(kg)	8,000(3,500)	9,000(4,000)	10,000(4,500)	11,000(5,000)	12,000(5,500)		
	4	Load Center		in(mm)	24(600)	24(600)	24(600)	24(600)	24(600)		
	5	Power type			Diesel	Diesel	Diesel	Diesel	Diesel		
	6	Operator type			Driver-seated	Driver-seated	Driver-seated	Driver-seated	Driver-seated		
	7	Tire type			P	P	P	P	P		
	8	Wheels (x=Driven)			x 2 / 2	x 2 / 2	x 2 / 2	x 2 / 2	x 2 / 2		
DIMENSIONS	9	Max. Fork Height	with STD 2-stage mast	in(mm)	118.1(3,000)	118.1(3,000)	118.1(3,000)	120(3,050)	120(3,050)		
	10	Free Lift		in(mm)	6.3(160)	6.3(160)	6.3(160)	6.7(170)	6.7(170)		
	12	Fork Carriage			III	III	IV	IV	IV		
	13	Forks	Length x Width x Thickness	in(mm)	41.3x5.9x2.0 (1,050x150x50)	41.3x5.9x2.0 (1,050x150x50)	47.2x5.9x2.0 (1,200x150x50)	47.2x5.9x2.4 (1,200x150x60)	47.2x5.9x2.4 (1,200x150x60)		
			Fork Spacing(Min x Max)	in(mm)	12.2(310)/46.5(1,182)	12.2(310)/46.5(1,182)	13.4(340)/50.8(1,290)	13.4(340)/50.8(1,290)	13.4(340)/50.8(1,290)		
	14	Tilt of Mast			deg	8 / 10	8 / 10	8 / 10	8 / 10	8 / 10	
	15		Length to Fork Face	in(mm)	122.0(3,100)	124.1(3,151)	128.5(3,265)	129.9(3,300)	131.9(3,350)		
	16	Overall Dimensions	Overall Width	in(mm)	54.0(1,372)	57.1(1,451)	57.1(1,451)	57.1(1,451)	57.1(1,451)		
			Mast Lowered Height	in(mm)	87.6(2,225)	87.8(2,230)	87.8(2,230)	93.7(2,380)	93.7(2,380)		
			Mast Extended Height	in(mm)	167.9(4,265)	168.1(4,270)	174.0(4,420)	176.0(4,470)	176.0(4,470)		
			Overhead Guard Height	in(mm)	87.6(2,225)	87.8(2,230)	87.8(2,230)	87.8(2,230)	87.8(2,230)		
			Seat Height	in(mm)	49.1(1,248)	49.4(1,255)	49.4(1,255)	49.4(1,255)	49.4(1,255)		
	19		Turning Radius		Minimum outside	in(mm)	109.1(2,770)	111.0(2,820)	112.8(2,865)	115.4(2,930)	117.7(2,990)
	22		Load Moment Center		in(mm)	22.1(561)	22.1(561)	22.1(561)	22.5(571)	22.5(571)	
23		Aisle 90 degree stacking(add load length & clearance)		in(mm)	131.2(3,331)	133.1(3,381)	134.9(3,426)	137.9(3,501)	140.2(3,561)		
PERFORMANCE	24	Travel Speed	Loaded / Unloaded	mph(km/h)	14.9 / 15.5 (24 / 25)	14.9 / 15.5 (24 / 25)	14.9 / 15.5 (24 / 25)	14.9 / 15.5 (24 / 25)	14.9 / 15.5 (24 / 25)		
	25	Lifting Speed	Loaded / Unloaded	fpm(mm/s)	102.4 / 106.3 (520 / 540)	102.4 / 106.3 (520 / 540)	102.4 / 106.3 (520 / 540)	92.5 / 106.3 (470 / 540)	92.5 / 106.3 (470 / 540)		
	26	Lowering Speed	Loaded / Unloaded	fpm(mm/s)	94.5 / 88.6 (480 / 450)	94.5 / 88.6 (480 / 450)	94.5 / 88.6 (480 / 450)	96.5 / 88.6 (490 / 450)	96.5 / 88.6 (490 / 450)		
	28	Max. drawbar pull	Loaded at 1.0 mph (1.6km / h)	lb(kg)	7,275.2(3,300)	7,275.2(3,300)	7,495.7(3,400)	7,716.1(3,500)	7,936.6(3,600)		
	30	Max. gradeability	Loaded at 1.0 mph (1.7km / h)	%	38	35	32	30	28		
WEIGHT	32	Total Service Weight, Unloaded		lb(kg)	12,765(5,790)	13,625(6,180)	14,440(6,550)	15,543(7,050)	16,292(7,390)		
	33	Axle Load	Loaded, Front / Rear	lb(kg)	18,111 / 2,370 (8,215 / 1,075)	19,798 / 2,646 (8,980 / 1,200)	21,605 / 2,756 (9,800 / 1,250)	23,545 / 3,020 (10,680 / 1,370)	25,067 / 3,351 (11,370 / 1,520)		
			Unloaded, Front / Rear	lb(kg)	5,919 / 6,845 (2,685 / 3,105)	5,864 / 7,760 (2,660 / 3,520)	6,195 / 8,245 (2,810 / 3,740)	6,371 / 9,171 (2,890 / 4,160)	6,173 / 10,119 (2,800 / 4,590)		
	34										
CHASSIS	35		Number of wheels(F / R)		2 / 2	2 / 2	2 / 2	2 / 2	2 / 2		
	36	Tires	Size, Front		8.25x15-14	300x15-18	300x15-18	300x15-18	300x15-18		
			Size, Rear		7.00x12-12	7.00x12-12	7.00x12-12	7.00x12-14	7.00x12-14		
	38	Wheel Base		Distance	in(mm)	78.7(2,000)	78.7(2,000)	82.7(2,100)	82.7(2,100)	82.7(2,100)	
	39	Tread Width		Front / Rear	in(mm)	44.8 / 43.9 (1,138 / 1,115)	45.4 / 43.9 (1,153 / 1,115)	45.4 / 43.9 (1,153 / 1,115)	45.4 / 43.9 (1,153 / 1,115)	45.4 / 43.9 (1,153 / 1,115)	
	40	Ground Clearance	Loaded at the lowest point	in(mm)	6.3(160)	6.3(160)	6.3(160)	6.3(160)	6.3(160)		
			Loaded at center of wheelbase	in(mm)	8.1(205)	8.1(205)	8.1(205)	8.1(205)	8.1(205)		
	42	Brakes	Service		shoe / disc	shoe / disc	shoe / disc	shoe / disc	shoe / disc		
			Parking		ratchet	ratchet	ratchet	ratchet	ratchet		
43											
45	Battery		V/AH	24 / 75	24 / 75	24 / 75	24 / 75	24 / 75			
POWER TRAIN	49		Manufacturer / Model		doosan / DB58S	doosan / DB58S	doosan / DB58S	doosan / DB58S	doosan / DB58S		
	50	Engine	Rated Power(DIN)	HP/rpm	91 / 2,200	91 / 2,200	91 / 2,200	91 / 2,200	91 / 2,200		
				kW/rpm	68 / 2,200	68 / 2,200	68 / 2,200	68 / 2,200	68 / 2,200		
				lb_ft/rpm	239 / 1,600	239 / 1,600	239 / 1,600	239 / 1,600	239 / 1,600		
	51	Maximum Torque		kg_m/rpm	33 / 1600	33 / 1,600	33 / 1,600	33 / 1,600	33 / 1,600		
				CC	6 / 5,785	6 / 5,785	6 / 5,785	6 / 5,785	6 / 5,785		
	52	Cylinders / Displacements									
55	Transmission	Type		powershift	powershift	powershift	powershift	powershift			
		Number of Speed (Fwd / Rev)		2 / 2	2 / 2	2 / 2	2 / 2	2 / 2			
57	Hydraulic Pressure	System	psi(bar)	2,755(190)	2,755(190)	3,045(210)	3,045(210)	3,335(230)			
		Attachment	psi(bar)	2,030(140)	2,030(140)	2,030(140)	2,030(140)	2,030(140)			

Note: Specification values quoted in this specification sheet has been rounded. Performance may vary due to operation conditions.

Products and specifications are subject to improvement and change without prior notices.



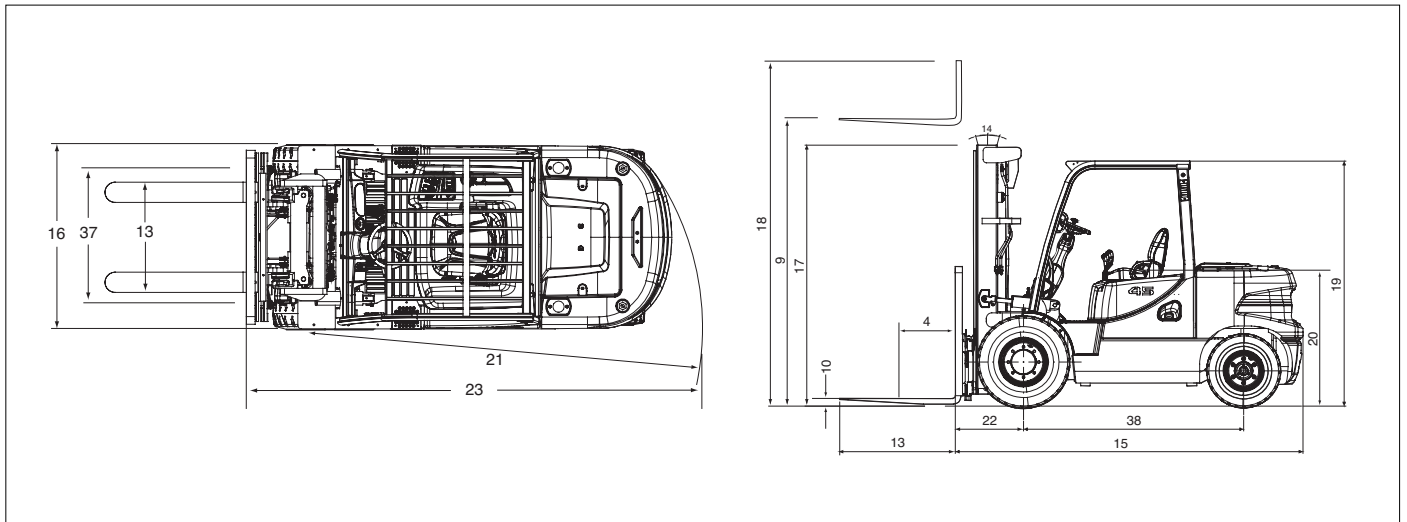
# 8,000/9,000/10,000/11,000/12,000 lb Capacities

## Engine Powered Forklift Trucks Pneumatic Tire

DOOSAN	DOOSAN	DOOSAN	DOOSAN	DOOSAN
G35S-5	G40S-5	G45S-5	G50C-5	G55C-5
8,000(3,500)	9,000(4,000)	10,000(4,500)	11,000(5,000)	12,000(5,500)
24(600)	24(600)	24(600)	24(600)	24(600)
LPG	LPG	LPG	LPG	LPG
rider-seated	rider-seated	rider-seated	rider-seated	Driver-seated
P	P	P	P	P
x 2 / 2	x 2 / 2	x 2 / 2	x 2 / 2	x 2 / 2
3,000	3,000	3,000	3,050	3,050
160	160	160	170	170
III	III	IV	IV	IV
41.3x5.9x2.0 (1,050x150x50)	41.3x5.9x2.0 (1,050x150x50)	47.2x5.9x2.0 (1,200x150x50)	47.2x5.9x2.4 (1,200x150x60)	47.2x5.9x2.4 (1,200x150x60)
12.2(310)/46.5(1,182)	12.2(310)/46.5(1,182)	13.4(340)/50.8(1,290)	13.4(340)/50.8(1,290)	13.4(340)/50.8(1,290)
8 / 10	8 / 10	8 / 10	8 / 10	8 / 10
122.0(3,100)	124.0(3,150)	128.5(3,265)	129.9(3,300)	131.9(3,350)
54.0(1,372)	57.1(1,451)	57.1(1,451)	57.1(1,451)	57.1(1,451)
87.6(2,225)	87.8(2,230)	87.8(2,230)	93.7(2,380)	93.7(2,380)
167.9(4,265)	168.1(4,270)	174.0(4,420)	176.0(4,470)	176.0(4,470)
87.6(2,225)	87.8(2,230)	87.8(2,230)	87.8(2,230)	87.8(2,230)
49.1(1,248)	49.4(1,255)	49.4(1,255)	49.4(1,255)	49.4(1,255)
109.1(2,770)	111.0(2,820)	112.8(2,865)	115.4(2,930)	117.7(2,990)
22.1(561)	22.1(561)	22.1(561)	22.5(571)	22.5(571)
131.2(3,331)	133.1(3,381)	134.9(3,426)	137.9(3,501)	140.2(3,561)
12.4 / 13.0 (20 / 21)	12.1 / 12.7 (19.5 / 20.5)	12.1 / 12.7 (19.5 / 20.5)	12.1 / 12.7 (19.5 / 20.5)	12.1 / 12.7 (19.5 / 20.5)
98.4 / 106.3 (500 / 540)	98.4 / 106.3 (500 / 540)	98.4 / 106.3 (500 / 540)	96.5 / 106.3 (490 / 540)	92.5 / 106.3 (470 / 540)
94.5 / 88.6 (480 / 450)	94.5 / 88.6 (480 / 450)	94.5 / 88.6 (480 / 450)	96.5 / 88.6 (490 / 450)	96.5 / 88.6 (490 / 450)
7,496.5(3,355)	7,561.8(3,430)	7,517.7(3,410)	7,517.7(3,410)	7,936.6(3,600)
36	33.5	30.7	30.7	28
12,765(5,790)	13,625(6,180)	14,440(6,550)	15,543(7,050)	16,292(7,390)
18,111 / 2,370 (8,215 / 1,075)	19,798 / 2,646 (8,980 / 1,200)	21,606 / 2,756 (9,800 / 1,250)	23,545 / 3,020 (10,680 / 1,370)	25,067 / 3,351 (11,370 / 1,520)
5,919 / 6,845 (2,685 / 3,105)	5,864 / 7,760 (2,660 / 3,520)	6,195 / 8,245 (2,810 / 3,740)	6,371 / 9,171 (2,890 / 4,160)	6,173 / 10,119 (2,800 / 4,590)
2 / 2	2 / 2	2 / 2	2 / 2	2 / 2
8.25x15-14	300x15-18	300x15-18	300x15-18	300x15-18
7.00x12-12	7.00x12-12	7.00x12-12	7.00x12-14	7.00x12-14
78.7(2,000)	78.7(2,000)	82.7(2,100)	82.7(2,100)	82.7(2,100)
44.8 / 43.9 (1138 / 1115)	45.4 / 43.9 (1,153 / 1,115)	45.4 / 43.9 (1,153 / 1,115)	45.4 / 43.9 (1,153 / 1,115)	45.4 / 43.9 (1,153 / 1,115)
6.3(160)	6.3(160)	6.3(160)	6.3(160)	6.3(160)
8.1(205)	8.1(205)	8.1(205)	8.1(205)	8.1(205)
shoe / disc	shoe / disc	shoe / disc	shoe / disc	shoe / disc
ratchet	ratchet	ratchet	ratchet	ratchet
12 / 75	12 / 75	12 / 75	12 / 75	12 / 75
G643(E)	G643(E)	G643(E)	G643(E)	G643(E)
93 / 2,450	93 / 2,450	93 / 2,450	93 / 2,450	93 / 2,450
69 / 2,450	69 / 2,450	69 / 2,450	69 / 2,450	69 / 2,450
222 / 1,400	222 / 1,400	222 / 1,400	222 / 1,400	222 / 1,400
31 / 1,400	31 / 1,400	31 / 1,400	31 / 1,400	31 / 1,400
6 / 4,294	6 / 4,294	6 / 4,294	6 / 4,294	6 / 4,294
powershift	powershift	powershift	powershift	powershift
2 / 2	2 / 2	2 / 2	2 / 2	2 / 2
2,755(190)	2,755(190)	3,045(210)	3,045(210)	3,335(230)
2,030(140)	2,030(140)	2,030(140)	2,030(140)	2,030(140)



# DIMENSIONAL DRAWING



## MAST SPECIFICATIONS and RATED CAPACITIES

### D/G35S-5, D/G40SC-5

Mast type	Maximum Fork Height		Maximum Lowered Height		Fully Extended Height		Free Lift		Rated Load Capacities										
									D/G35S-5, D/G40SC-5										
					With Load Backrest		With Load Backrest		Tilt Angle				Load Capacities						
									Single Pneu.		Double Pneu.		Single Pneu.			Double Pneu.			
FWD	BWD	FWD	BWD	LC500mm	LC600mm	LC24in	LC500mm	LC600mm	LC24in	kg	kg	lb	kg	kg	lb				
STD	3000	118	2225	88	4265	168	160	6	8	10	8	10	4000	3655	8000	4000	3655	8000	
	3300	130	2375	94	4565	180	160	6	8	10	8	10	4000	3655	8000	4000	3655	8000	
	3650	144	2550	100	4915	194	160	6	8	10	8	10	4000	3655	8000	4000	3655	8000	
	4000	157	2875	113	5265	207	160	6	8	10	8	10	4000	3655	8000	4000	3655	8000	
	4250	167	3000	118	5515	217	160	6	8	10	8	10	4000	3655	8000	4000	3655	8000	
	4850	191	3450	136	6115	241	160	6	8	8	8	10	3850	3520	7700	3875	3545	7750	
FF	3000	118	2205	87	4250	167	1005	40	8	10	8	10	4000	3660	8000	4000	3660	8000	
FFT	4000	157	2090	82	5265	207	890	35	8	8	8	8	3975	3645	7950	4000	3670	8000	
	4250	167	2175	86	5530	218	975	38	8	8	8	8	3900	3575	7800	3950	3625	7900	
	4700	185	2325	92	5980	235	1125	44	8	8	8	8	3775	3465	7550	3800	3485	7600	
	5150	203	2475	97	6430	253	1275	50	8	5	8	8	3650	3350	7300	3675	3370	7350	
	5600	220	2625	103	6880	271	1425	56	8	3	8	8	3525	3235	7050	3550	3255	7100	
	6050	238	2775	109	7330	289	1575	62	8	3	8	5	3075	2820	6150	3450	3165	6900	

### D/G40S-5, D/G45SC-5

Mast type	Maximum Fork Height		Maximum Lowered Height		Fully Extended Height		Free Lift		Rated Load Capacities										
									D/G40S-5, D/G45SC-5										
					With Load Backrest		With Load Backrest		Tilt Angle				Load Capacities						
									Single Pneu.		Double Pneu.		Single Pneu.			Double Pneu.			
FWD	BWD	FWD	BWD	LC500mm	LC600mm	LC24in	LC500mm	LC600mm	LC24in	kg	kg	lb	kg	kg	lb				
STD	3000	118	2230	88	4270	168	160	6	8	10	8	10	4500	4115	9000	4500	4115	9000	
	3300	130	2380	94	4570	180	160	6	8	10	8	10	4500	4115	9000	4500	4115	9000	
	3650	144	2555	101	4920	194	160	6	8	10	8	10	4500	4115	9000	4500	4115	9000	
	4000	157	2880	113	5270	207	160	6	8	10	8	10	4500	4115	9000	4500	4115	9000	
	4250	167	3005	118	5520	217	160	6	8	10	8	10	4500	4115	9000	4500	4115	9000	
	4850	191	3455	136	6120	241	160	6	8	8	8	10	4400	4025	8800	4425	4045	8850	
FF	3000	118	2210	87	4255	168	1010	40	8	10	8	10	4500	4115	9000	4500	4115	9000	
FFT	4000	157	2090	82	5270	207	890	35	8	8	8	8	4500	4125	9000	4500	4125	9000	
	4250	167	2180	86	5535	218	980	39	8	8	8	8	4475	4105	8950	4500	4125	9000	
	4700	185	2330	92	5985	236	1130	44	8	8	8	8	4325	3965	8650	4350	3990	8700	
	5150	203	2480	98	6435	253	1280	50	8	5	8	5	4175	3830	8350	4225	3875	8450	
	5600	220	2630	104	6885	271	1430	56	8	3	8	3	4050	3715	8100	4075	3740	8150	
	6050	238	2780	109	7335	289	1580	62	8	3	8	3	3800	3485	7600	3750	3440	7500	



**D/G45S-5, D/G50SC-5**

Mast type	Maximum Fork Height		Maximum Lowered Height		Fully Extended Height		Free Lift		Rated Load Capacities									
									D/G45S-5, D/G50SC-5									
					With Load Backrest		With Load Backrest		Tilt Angle				Load Capacities					
									Single Pneu.		Double Pneu.		Single Pneu.		Double Pneu.			
	mm	in	mm	in	mm	in	mm	in	FWD	BWD	FWD	BWD	LC500mm	LC600mm	LC24in	LC500mm	LC600mm	LC24in
STD	3000	118	2230	88	4420	174	160	6	8	10	8	10	5000	4570	10000	5000	4570	10000
	3300	130	2380	94	4720	186	160	6	8	10	8	10	5000	4570	10000	5000	4570	10000
	3650	144	2555	101	5070	200	160	6	8	10	8	10	5000	4570	10000	5000	4570	10000
	4000	157	2880	113	5420	213	160	6	8	10	8	10	5000	4570	10000	5000	4570	10000
	4250	167	3005	118	5670	223	160	6	8	10	8	10	5000	4570	10000	5000	4570	10000
	4850	191	3455	136	6270	247	160	6	8	5	8	10	4900	4480	9800	4700	4295	9400
FF	3000	118	2210	87	4400	173	860	34	8	10	8	10	5000	4575	10000	5000	4575	10000
FFT	4000	157	2090	82	5415	213	740	29	8	8	8	8	5000	4585	10000	5000	4585	10000
	4250	167	2180	86	5680	224	830	33	8	8	8	8	4975	4565	9950	5000	4585	10000
	4700	185	2330	92	6130	241	980	39	8	8	8	8	4800	4400	9600	4850	4450	9700
	5150	203	2480	98	6580	259	1130	44	8	3	8	8	4650	4265	9300	4525	4150	9050
	5600	220	2630	104	7030	277	1280	50	8	3	8	5	4500	4125	9000	4125	3785	8250
	6050	238	2780	109	7480	294	1430	56	8	3	8	3	3575	3280	7150	3575	3280	7150

**D/G50S-5, D/G55SC-5**

Mast type	Maximum Fork Height		Maximum Lowered Height		Fully Extended Height		Free Lift		Rated Load Capacities									
									D/G50S-5, D/G55SC-5									
					With Load Backrest		With Load Backrest		Tilt Angle				Load Capacities					
									Single Pneu.		Double Pneu.		Single Pneu.		Double Pneu.			
	mm	in	mm	in	mm	in	mm	in	FWD	BWD	FWD	BWD	LC500mm	LC600mm	LC24in	LC500mm	LC600mm	LC24in
STD	2750	108	2230	88	4170	164	170	7	8	10	8	10	5500	5030	11000	5500	5030	11000
	3050	120	2380	94	4470	176	170	7	8	10	8	10	5500	5030	11000	5500	5030	11000
	3400	134	2555	101	4820	190	170	7	8	10	8	10	5500	5030	11000	5500	5030	11000
	3750	148	2880	113	5170	204	170	7	8	10	8	10	5500	5030	11000	5500	5030	11000
	4000	157	3005	118	5420	213	170	7	8	10	8	10	5500	5030	11000	5500	5030	11000
	4600	181	3455	136	6020	237	170	7	8	8	8	10	5500	5030	11000	5125	4690	10300
FF	2875	113	2210	87	4275	168	870	34	8	10	8	10	5500	5035	11000	5500	5035	11000
FFT	3875	153	2090	82	5290	208	750	30	8	8	8	8	5500	5050	11000	5500	5050	11000
	4125	162	2180	86	5555	219	840	33	8	8	8	8	5500	5050	11000	5500	5050	11000
	4575	180	2330	92	6005	236	990	39	8	8	8	8	5375	4935	10850	5425	4980	10950
	5025	198	2480	98	6455	254	1140	45	8	5	8	8	5200	4775	10500	4600	4220	9300
	5475	216	2630	104	6905	272	1290	51	8	3	8	5	4650	4270	9400	4200	3855	8500
	5925	233	2780	109	7355	290	1440	57	8	3	8	5	3625	3330	7300	3275	3005	6600

**D/G55C-5 (COMPACT)**

Mast type	Maximum Fork Height		Maximum Lowered Height		Fully Extended Height		Free Lift		Rated Load Capacities								
									D/G55C-5 (COMPACT)								
					With Load Backrest		With Load Backrest		Tilt Angle				Load Capacities				
									Single Pneu.		Double Pneu.		Single Pneu.		Double Pneu.		
	mm	in	mm	in	mm	in	mm	in	FWD	BWD	FWD	BWD	LC500mm	LC24in	LC500mm	LC24in	
STD	2750	108	2230	88	4170	164	170	7	8	10	8	10	5500	12100	5500	12100	
	3050	120	2380	94	4470	176	170	7	8	10	8	10	5500	12100	5500	12100	
	3400	134	2555	101	4820	190	170	7	8	10	8	10	5500	12100	5500	12100	
	3750	148	2880	113	5170	204	170	7	8	10	8	10	5500	12100	5500	12100	
	4000	157	3005	118	5420	213	170	7	8	10	8	10	5500	12100	5500	12100	
	4600	181	3455	136	6020	237	170	7	8	8	8	10	5400	11850	4900	10750	
FF	2875	113	2210	87	4275	168	870	34	8	10	8	10	5500	12100	5500	12100	
FFT	3875	153	2090	82	5290	208	750	30	8	8	8	8	5500	12100	5500	12100	
	4125	162	2180	86	5555	219	840	33	8	8	8	8	5500	12100	5500	12100	
	4575	180	2330	92	6005	236	990	39	8	8	8	8	5500	12100	5500	12100	
	5025	198	2480	98	6455	254	1140	45	8	5	8	8	5150	11350	4425	9750	
	5475	216	2630	104	6905	272	1290	51	8	3	8	5	4500	9900	4050	8900	
	5925	233	2780	109	7355	290	1440	57	8	3	8	5	3500	7700	3125	6850	





# PRO5 SERIES



**D35S / D40S / D45S-5 & D50C / D55C-5**  
**G35S / G40S / G45S-5 & G50C / G55C-5**  
 8,000lb(3,500kg) 9,000lb(4,000kg)  
 10,000lb(4,500kg) 11,000lb(5,000kg)  
 12,000lb(5,500kg)  
 Pneumatic Tire

## Full Product Line

Doosan offers a full line of lift trucks from 3,000lb(1,500kg) to 36,000lb(16,000kg) pounds to fill all your material handling needs. Contact your dealer for specific information on our various models and configurations.

## Complete Distribution Network

Doosan lift trucks are sold and serviced by 95 dealers at over 200 locations in the U.S and Canada.

Call us at 1-800-323-9662 for the location of a dealer near you, or visit us at [www.doosanlift.com](http://www.doosanlift.com)

For corporate information go to : [www.dhiac.com](http://www.dhiac.com)

PSC0703A0 (Mar.2007)



**Doosan Infracore**  
Forklifts

**Doosan Infracore America Corporation**  
 4350 Renaissance Parkway,  
 Warrensville Heights, Ohio, 44128 U.S.A.  
 Tel : 216-595-1212  
 Fax : 216-595-1214

AUTHORIZED DEALER

Product and specifications are subject to improvement and change without notice.





Doosan Infracore  
Forklifts

# TECHNICAL SPECIFICATIONS

## Cushion Forklift Trucks

GC35S / GC40S / GC45S-5 & GC50C / GC55C-5

7,000lb to 12,000lb Capacity

**PRO5**  
SERIES





# 7,000/8,000/9,000/10,000/11,000/12,000 lb Capacities

## Engine Powered Forklift Trucks Cushion Tire

### MAIN VEHICLE SPECIFICATIONS

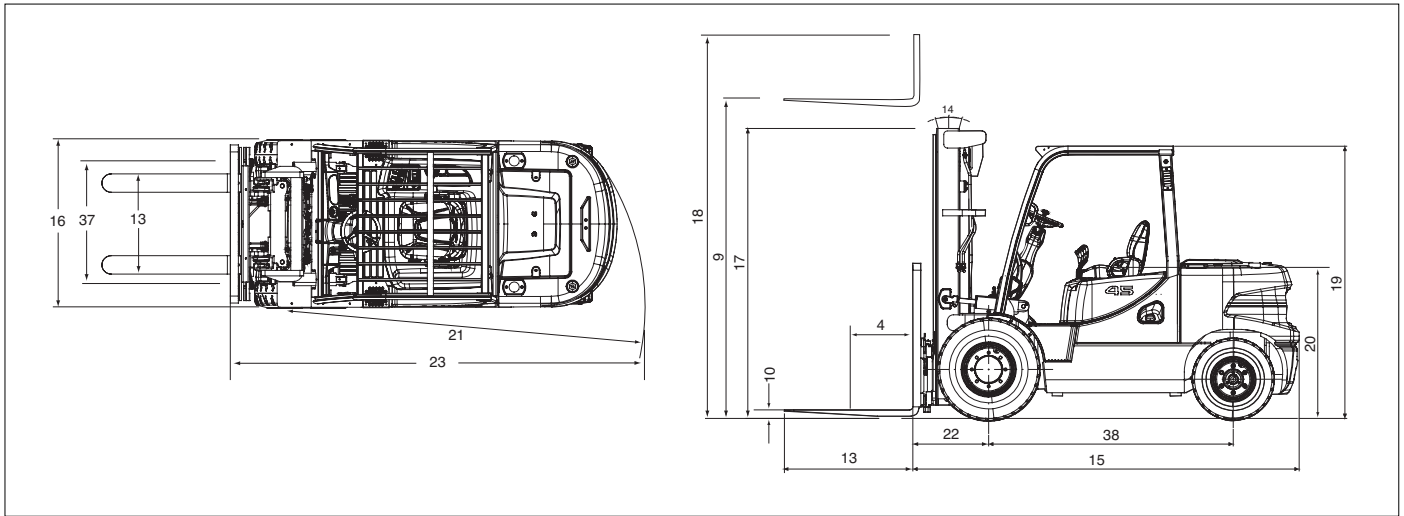
			DOOSAN	DOOSAN	DOOSAN	DOOSAN	DOOSAN		
CHARACTERISTICS	1	Manufacture		DOOSAN	DOOSAN	DOOSAN	DOOSAN		
	2	Model		GC35S-5	GC40S-5	GC45S-5	GC50C-5		
	3	Load Capacity	at rated load center	lb(kg)	7,000(3,500)	8,000(4,000)	9,000(4,500)	10,000(5,000)	
	4	Load Center		in(mm)	24(500)	24(500)	24(600)	24(600)	
	5	Power type	Elec, Diesel, LPG, Gasoline		LPG	LPG	LPG	LPG	
	6	Operator type			Driver-seated	Driver-seated	Driver-seated	Driver-seated	
	7	Tire type	P:Pnu, E:Solid Soft, C: Cush		C	C	C	C	
	8	Wheels (x=Driven)	Front / Rear		x 2 / 2	x 2 / 2	x 2 / 2	x 2 / 2	
DIMENSIONS	9	Max. Fork Height	with STD 2-stage mast	in(mm)	113.4(2,880)	113.4(2,880)	113.4(2,880)	103.5(2,630)	
	10	Free Lift		in(mm)	6.3(160)	6.3(160)	6.3(160)	6.3(160)	
	12	Fork Carriage	ISO Class		III	III	IV	IV	
	13	Forks	Length x Width x Thickness	in(mm)	48.0x5.9x2.0 (1,220x150x50)	48.0x5.9x2.0 (1,220x150x50)	48.0x5.9x2.0 (1,220x150x50)	48.0x5.9x2.0 (1,220x150x50)	48.0x5.9x2.0 (1,220x150x50)
			Fork Spacing(Min x Max)	in(mm)	12.2(310)/42.6(1,082)	12.2(310)/42.6(1,082)	13.4(340)/50.8(1,290)	13.4(340)/50.8(1,290)	13.4(340)/50.8(1,290)
	14	Tilt of Mast	Forward / Backward	deg	5 / 6	5 / 6	5 / 6	5 / 6	
	15		Length to Fork Face	in(mm)	105.6(2,682)	105.7(2,686)	111.3(2,828)	113.3(2,878)	
	16	Overall Dimensions	Overall Width	in(mm)	50.0(1,270)	50.0(1,270)	55.9(1,420)	55.9(1,420)	
			Mast Lowered Height	in(mm)	84.1(2,135)	84.1(2,135)	86.0(2,185)	86.0(2,185)	
			Mast Extended Height	in(mm)	162.0(4,115)	162.0(4,115)	169.9(4,315)	160.0(4,065)	
			Overhead Guard Height	in(mm)	84.8(2,155)	84.8(2,155)	84.8(2,155)	84.8(2,155)	
			Seat Height	in(mm)	44.3(1,125)	44.3(1,125)	44.3(1,125)	44.3(1,125)	
	19		Turning Radius	Minimum outside	in(mm)	92.9(2,360)	94.5(2,400)	99.6(2,530)	
20		Load Moment Center		in(mm)	19.9(505)	19.9(505)	19.9(505)		
21		Aisle 90 degree stacking(add load length & clearance)		in(mm)	112.8(2,865)	114.4(2,905)	119.5(3,035)		
PERFORMANCE	24	Travel Speed	Loaded / Unloaded	mph(km/h)	11.2 / 12.7 (18 / 19)	11.2 / 11.8 (18 / 19)	13.0 / 13.7 (21 / 22)	13.0 / 13.7 (21 / 22)	
	25	Lifting Speed	Loaded / Unloaded	fpm(mm/s)	98.4 / 108.3 (500 / 550)	94.5 / 108.3 (480 / 550)	94.5 / 98.4 (480 / 500)	88.6 / 98.4 (450 / 500)	
	26	Lowering Speed	Loaded / Unloaded	fpm(mm/s)	104.3 / 88.6 (530 / 450)	98.4 / 88.6 (500 / 450)	98.4 / 86.6 (480 / 440)	94.5 / 86.6 (480 / 440)	
	28	Max. drawbar pull	Loaded at 1.0 mph (1.6km / h)	lb(kg)	5,340(2,422)	5,212(2,346)	5,578(2,530)	5,816(2,638)	
	30	Max. gradeability	Loaded at 1.0 mph (1.7km / h)	%	27	24	23	22	
WEIGHT	32	Total Service Weight, Unloaded		lb(kg)	12,059(5,470)	12,897(5,850)	14,330(6,500)	15,410(6,990)	
	33	Axle Load	Loaded, Front / Rear	lb(kg)	17,571 / 2,205 (7,970 / 1,000)	19,158 / 2,557 (8,690 / 1,160)	21,550 / 2,701 (9,775 / 1,225)	23,435 / 2,998 (10,630 / 1,360)	
			Unloaded, Front / Rear	lb(kg)	4,916 / 7,143 (2,230 / 3,240)	4,696 / 8,201 (2,130 / 3,720)	5,501 / 8,830 (2,495 / 4,005)	5,556 / 9,844 (2,520 / 4,470)	
	34								
CHASSIS	35		Number of wheels(F / R)		2 / 2	2 / 2	2 / 2		
	36	Tires	Size, Front		22x9x16	22x9x16	22X12X16		
			Size, Rear		18x6x12-1 / 8	18x7x12-1 / 8	18X8X12.1		
	37		Distance	in(mm)	64.2(1,630)	64.2(1,630)	70.5(1,790)		
	38	Wheel Base							
	39	Tread Width	Front / Rear	in(mm)	41.0 / 41.1 (1,042 / 1,044)	41.0 / 41.1 (1,042 / 1,044)	43.9 / 41.1 (1,116 / 1,044)	43.9 / 41.1 (1,116 / 1,044)	
	40	Ground Clearance	Loaded at the lowest point	in(mm)	5.1(130)	5.1(130)	5.1(130)		
Loaded at center of wheelbase			in(mm)	5.1(130)	5.1(130)	5.1(130)			
41	Brakes	Service		foot / hyd	foot / hyd	foot / hyd			
		Parking		hand / mech	hand / mech	hand / mech			
POWER TRAIN	42								
	43								
	44	Battery	Voltage / Ampere	V/AH	12 / 75	12 / 75	12 / 75		
	45	Engine	Manufacturer / Model		G643E	G643E	G643E		
			Rated Power(DIN)	HP/rpm	93 / 2,450	93 / 2,450	93 / 2,450		
				kW/rpm	69 / 2,450	69 / 2,450	69 / 2,450		
				lb_ft/rpm	222 / 1,400	222 / 1,400	222 / 1,400		
	46	Maximum Torque		kg_m/rpm	31 / 1,400	31 / 1,400	31 / 1,400		
47		Cylinders / Displacements	CC	6 / 4,294	6 / 4,294	6 / 4,294			
48	Transmission	Type		powershift	powershift	powershift			
		Number of Speed (Fwd / Rev)		2 / 2	2 / 2	2 / 2			
49	Hydraulic Pressure	System	psi(bar)	2,755(190)	3,045(210)	3,045(210)			
		Attachment	psi(bar)	2,030(140)	2,030(140)	2,030(140)			

Note: Specification values quoted in this specification sheet has been rounded. Performance may vary due to operation conditions.

Products and specifications are subject to improvement and change without prior notices.



# DIMENSIONAL DRAWING



## MAST SPECIFICATIONS and RATED CAPACITIES

### GC35S-5

Mast type	Maximum Fork Height		Maximum Lowered Height		Fully Extended Height		Free Lift		Rated Load Capacities			
					With Load Backrest		With Load Backrest		GC35S-5			
									Tilt Angle		Load Capacities	
					Narrow		Narrow		FWD	BWD	LC500mm	LC24in
	mm	in	mm	in	mm	in	mm	in	deg	deg	kg	lb
STD	3000	118.1	2195	86.4	4265	167.9	160	6.3	5	6	3500	7000
	3300	129.9	2345	92.3	4565	179.7	160	6.3	5	6	3500	7000
	3650	143.7	2520	99.2	4915	193.5	160	6.3	5	6	3500	7000
	4000	157.5	2845	112.0	5265	207.3	160	6.3	5	6	3500	7000
	4250	167.3	2970	116.9	5515	217.1	160	6.3	5	6	3450	7000
	4850	190.9	3420	134.6	6115	240.7	160	6.3	5	6	3275	6650
FF	3000	118.1	2175	85.6	4250	167.3	975	38.4	5	6	3500	7000
FFT	4000	157.5	2060	81.1	5265	207.3	860	33.9	5	6	3375	6850
	4250	167.3	2145	84.4	5530	217.7	945	37.2	5	6	3325	6750
	4700	185.0	2295	90.4	5980	235.4	1095	43.1	5	6	3200	6500
	5150	202.8	2445	96.3	6430	253.1	1245	49.0	5	6	3100	6300
	5600	220.5	2595	102.2	6880	270.9	1395	54.9	5	6	2975	6100
	6050	238.2	2745	108.1	7330	288.6	1545	60.8	5	6	2775	5850

### GC40S-5

Mast type	Maximum Fork Height		Maximum Lowered Height		Fully Extended Height		Free Lift		Rated Load Capacities			
					With Load Backrest		With Load Backrest		GC40S-5			
									Tilt Angle		Load Capacities	
					Narrow		Narrow		FWD	BWD	LC500mm	LC24in
	mm	in	mm	in	mm	in	mm	in	deg	deg	kg	lb
STD	3000	118.1	2195	86.4	4265	167.9	160	6.3	5	6	4000	8000
	3300	129.9	2345	92.3	4565	179.7	160	6.3	5	6	4000	8000
	3650	143.7	2520	99.2	4915	193.5	160	6.3	5	6	4000	8000
	4000	157.5	2845	112.0	5265	207.3	160	6.3	5	6	4000	8000
	4250	167.3	2970	116.9	5515	217.1	160	6.3	5	6	3950	8000
	4850	190.9	3420	134.6	6115	240.7	160	6.3	5	6	3700	7550
FF	3000	118.1	2175	85.6	4250	167.3	975	38.4	5	6	4000	8000
FFT	4000	157.5	2060	81.1	5265	207.3	860	33.9	5	6	3900	7900
	4250	167.3	2145	84.4	5530	217.7	945	37.2	5	6	3825	7800
	4700	185.0	2295	90.4	5980	235.4	1095	43.1	5	6	3700	7500
	5150	202.8	2445	96.3	6430	253.1	1245	49.0	5	6	3575	7300
	5600	220.5	2595	102.2	6880	270.9	1395	54.9	5	6	3450	7050
	6050	238.2	2745	108.1	7330	288.6	1545	60.8	5	6	2675	6050

**GC45S-5**

Mast type	Maximum Fork Height		Maximum Lowered Height		Fully Extended Height		Free Lift		Rated Load Capacities					
					GC45S-5		With Load Backrest		With Load Backrest		Tilt Angle		Load Capacities	
					Narrow						Narrow			
					FWD	BWD	LC600mm	LC24in						
	mm	in	mm	in	mm	in	mm	in	deg	deg	kg	lb		
STD	3000	118.1	2195	86.4	4415	173.8	160	6.3	5	6	4500	10000		
	3300	129.9	2345	92.3	4715	185.6	160	6.3	5	6	4500	10000		
	3650	143.7	2520	99.2	5065	199.4	160	6.3	5	6	4500	10000		
	4000	157.5	2845	112.0	5415	213.2	160	6.3	5	6	4500	10000		
	4250	167.3	2970	116.9	5665	223.0	160	6.3	5	6	4500	10000		
	4850	190.9	3420	134.6	6265	246.7	160	6.3	5	6	4375	9550		
FF	3000	118.1	2175	85.6	4400	173.2	825	32.5	5	6	4500	10000		
FFT	4000	157.5	2055	80.9	5415	213.2	705	27.8	5	6	4500	9850		
	4250	167.3	2145	84.4	5680	223.6	795	31.3	5	6	4425	9700		
	4700	185.0	2295	90.4	6130	241.3	945	37.2	5	6	4275	9400		
	5150	202.8	2445	96.3	6580	259.1	1095	43.1	5	6	4150	9100		
	5600	220.5	2595	102.2	7030	276.8	1245	49.0	5	6	4025	8800		
	6050	238.2	2745	108.1	7480	294.5	1395	54.9	5	6	3900	8550		

**GC50C-5**

Mast type	Maximum Fork Height		Maximum Lowered Height		Fully Extended Height		Free Lift		Rated Load Capacities					
					GC50C-5		With Load Backrest		With Load Backrest		Tilt Angle		Load Capacities	
					Narrow						Narrow			
					FWD	BWD	LC600mm	LC24in						
	mm	in	mm	in	mm	in	mm	in	deg	deg	kg	lb		
STD	2750	108.3	2195	86.4	4165	164.0	170	6.7	5	6	5000	11000		
	3050	120.1	2345	92.3	4465	175.8	170	6.7	5	6	5000	11000		
	3400	133.9	2520	99.2	4815	189.6	170	6.7	5	6	5000	11000		
	3750	147.6	2845	112.0	5165	203.3	170	6.7	5	6	5000	11000		
	4000	157.5	2970	116.9	5415	213.2	170	6.7	5	6	5000	11000		
	4600	181.1	3420	134.6	6015	236.8	170	6.7	5	6	4950	10850		
FF	2875	113.2	2175	85.6	4275	168.3	835	32.9	5	6	5000	11000		
FFT	3875	152.6	2055	80.9	5290	208.3	715	28.1	5	6	5000	11000		
	4125	162.4	2145	84.4	5555	218.7	805	31.7	5	6	4975	10900		
	4575	180.1	2295	90.4	6005	236.4	955	37.6	5	6	4825	10550		
	5025	197.8	2445	96.3	6455	254.1	1105	43.5	5	6	4675	10250		
	5475	215.6	2595	102.2	6905	271.8	1255	49.4	5	6	4525	9900		
	5925	233.3	2745	108.1	7355	289.6	1405	55.3	5	6	4400	9600		

**GC55C-5**

Mast type	Maximum Fork Height		Maximum Lowered Height		Fully Extended Height		Free Lift		Rated Load Capacities					
					GC55C-5		With Load Backrest		With Load Backrest		Tilt Angle		Load Capacities	
					Narrow						Narrow			
					FWD	BWD	LC600mm	LC24in						
	mm	in	mm	in	mm	in	mm	in	deg	deg	kg	lb		
STD	2750	108.3	2195	86.4	4165	164.0	170	6.7	5	6	5500	12100		
	3050	120.1	2345	92.3	4465	175.8	170	6.7	5	6	5500	12100		
	3400	133.9	2520	99.2	4815	189.6	170	6.7	5	6	5500	12100		
	3750	147.6	2845	112.0	5165	203.3	170	6.7	5	6	5500	12100		
	4000	157.5	2970	116.9	5415	213.2	170	6.7	5	6	5500	12100		
	4600	181.1	3420	134.6	6015	236.8	170	6.7	5	6	5400	11800		
FF	2875	113.2	2175	85.6	4275	168.3	835	32.9	5	6	5500	12100		
FFT	3875	152.6	2055	80.9	5290	208.3	715	28.1	5	6	5500	12100		
	4125	162.4	2145	84.4	5555	218.7	805	31.7	5	6	5425	11850		
	4575	180.1	2295	90.4	6005	236.4	955	37.6	5	6	5250	11500		
	5025	197.8	2445	96.3	6455	254.1	1105	43.5	5	6	5100	11150		
	5475	215.6	2595	102.2	6905	271.8	1255	49.4	5	6	4950	10850		
	5925	233.3	2745	108.1	7355	289.6	1405	55.3	5	6	4800	10500		



**Doosan Infracore**  
Forklifts

**Doosan Infracore America Corporation**

4350 Renaissance Parkway, Warrensville Heights, Ohio, 44128 U.S.A.  
Tel : 216-595-1212 Fax : 216-595-1214 www.doosanlift.com